

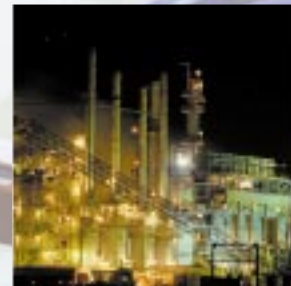
Garlock Sealing Technologies®

KLOZURE® Oil Seals & Bearing Isolators

Seal in your profits™

MASTER CATALOG

The Rotating Equipment Authority™



Garlock

SEALING TECHNOLOGIES®

DR. BY	APP. BY	ALTERATION
--------	---------	------------

Foreword

We believe in the principle that you can't be all things to all people. Garlock has chosen to be the leading *manufacturer* of radial lip seals and bearing protection devices servicing the industrial marketplace. We believe the best method to get our products to the industrial customer is through strategic alliances with our distribution partners. Our commitment to our distributors, and the ultimate user, is to constantly introduce

new and innovative products at higher levels of quality with an emphasis on compressed lead times - products that will last longer and reduce overall maintenance costs. All of our employees have a "can do" attitude and take pride in helping customers. You have a problem? We have a solution. All we ask is the chance to prove ourselves; you won't be disappointed!

Garlock Warranty

All merchandise ordered shall be sold subject to SELLER'S standard warranty, viz: SELLER warrants that any product of its manufacture, which upon examination is found by a SELLER'S representative to be defective either in workmanship or material whereby it is not suitable under proper usage and service for the purpose for which designed, will be, at SELLER'S option, repaired or replaced free of charge including transportation charges but not cost of installation providing

that SELLER receives written claim specifying the defect within one year after SELLER ships the product. ALL OTHER WARRANTIES EXPRESSED OR IMPLIED INCLUDING ANY WARRANTY OF MERCHANTABILITY ARE HEREBY DISCLAIMED. The foregoing expresses all of SELLER'S obligations and liabilities with respect to the quality of items furnished by it and it shall under no circumstances be liable for consequential damages.

General Seal Selection

Single Lip Seals are ideal for the majority of sealing applications. These general purpose seals are available in a wide range of stock sizes.

Split KLOZURE® Oil Seals and Bearing Isolators are designed for easy installation on large shafts without costly teardown for seal replacement.

Dual Lip Oil Seals are recommended for those applications involving the separation of two fluids, the exclusion of abrasive or foreign materials, and difficult or unusual sealing problems.

Bonded Oil Seals are used in applications where low cost and minimum performance are the primary considerations.

Special Purpose Oil Seals are recommended for high speed applications, reciprocating service, spherical bearings, tapered roller bearings and similar applications.

ISO-GARD® and EQUALIZER® Bearing Isolator Seals provide superior bearing protection where outstanding contaminant exclusion and ultra long life are desired.

MICRO-TEC® Bearing Protector Seals combine a unique design and microcellular technology, for rotating or stationary shaft sealing and bearing protection in highly contaminated environments.

The Garlock line of KLOZURE® Oil Seals and Bearing Isolators is asbestos-free.

We are pleased to present this Garlock KLOZURE® Oil Seals and Bearing Isolators catalog. It contains the most concise, current sealing information to make seal selection easy and accurate, providing reference to applications, shaft speeds, operating temperatures and shaft size. This information permits you to select a Garlock KLOZURE® Oil Seal for long-lasting, trouble-free service.

For online selection, visit the Garlock network at www.garlock.net

For non-standard applications, contact Garlock to complete a detailed application data sheet.

How to use the KLOZURE® Oil Seal Master Catalog

Our family of Garlock KLOZURE® Oil Seal and Bearing Isolators catalogs is designed to make ordering Garlock KLOZURE® Oil Seals as easy as possible and to give you the most complete information on oil seals you will find anywhere.

This catalog is organized by the type of seal you need with sections for Single Lip, Dual Lip and Special Purpose seals. Pertinent information on each model is summarized in these sections so that you may choose an oil seal directly from the information shown here.

The general engineering section is designed to offer guidance concerning shaft finish, misalignment, pressure data, tolerance charts and technical specifications... all the information that will help you seal effectively. The selection chart for seal elements lets you compare temperature, fluid compatibility, relative cost, service life... everything that you need to choose the right seal for your application.

Installation instructions with diagrams have also been included, along with a troubleshooting tips section, to help you solve possible problems.

Index

Page

Single Lip KLOZURE® Oil Seals

Spring Loaded: Models 26, 53, 59, 63, 64, 66, 67, 76, 87, 88, 92	2, 3
No Spring: Models 58, 71, 91	4

Dual Lip KLOZURE® Oil Seals

Dual Opposed (both lips with spring): Models 53R2, 63R2	5
Dual Opposed (one lip with spring): Models 3, 26R1, 53R1, 53F1, 57, 94	6
Dual Tandem (front lip, no spring): Models 53TB, 63TB	7
Dual Tandem (both lips with spring): Models 53T2, 63T2	7

Single Lip Split KLOZURE® Oil Seals

Models 21, 23, 24, 25, 26	8
---------------------------	---

External Lip Seals

Models 111, 113, 123	9
----------------------	---

Special Purpose KLOZURE® Oil Seals

Model 54: Seals for Spherical Bearings	10, 11
Model 61, 62: PTFE Seal	10
Model 142: Steel Mill Water Seals	10, 11
Model 145A-1, 145A-2: Face-Type Excluder Seals	10, 11
MICRO-TEC® Bearing Protector Seals	12
EQUALIZER® Bearing Protector Seals	12
ISOGARD® Bearing Isolator Seals	13

Engineering and Installation Information

General Engineering Data	14
General Engineering Data Tables	14 - 17
Nomenclature	18
Selection Charts for Seal Elements	19
Assembled and Bonded Seals	
Installation Instructions	20 - 22
Split KLOZURE® Oil Seals, Models 21, 23, 24, 25, 26	
Application Information and Size Guide	23
Conversion Instructions	24
Installation Instructions	25
Troubleshooting	26
Typical KLOZURE® Oil Seal Configurations	27
Model number to Part number Conversion	28

Oil Seals and Bearing Isolators by Model Number	M-1 – M-133
---	-------------

Oil Seals and Bearing Isolators by Shaft Size	S-1 – S-129
---	-------------

Oil Seals and Bearing Isolators by Metric Sizes	Metric 1 – Metric 16
---	----------------------

Model 79 Rod Scrapers	R-1 – R-4
-----------------------	-----------

Relationship Between RPM, FPM and Shaft Diameters	Inside Back Cover
---	-------------------

How to Order	Back Cover
--------------	------------

Single Lip - Spring Loaded General Purpose Lubricant Retention Seals

	Features	Shaft Diameters In. (MM)	Surface Speed FPM (MPS)	Misalignment & Runout In. @ FPM (MM @ MPS)	Spring	O.D. Construction
MODEL 26 	<ul style="list-style-type: none"> General purpose, non-metallic seal Molded one-piece construction 	3/4 thru 60 (19.4 thru 1524)	5000 (25.4)	0.015 @ 1000 (0.38 @ 5.1) 0.010 @ 2000 (0.25 @ 10.2) 0.008 @ 5000 (0.20 @ 25.4)	Stainless Steel Finger	Rubber with reinforced heel
MODEL 53 	<ul style="list-style-type: none"> Heavy duty case General purpose standard seal Assembled design 	3 thru 90 (76.2 thru 2286)	3000 (15.2)	0.015 @ 1000 (0.38 @ 5.1) 0.10 @ 2000 (0.25 @ 10.2) 0.005 @ 3000 (0.13 @ 15.2)	Stainless Steel Finger	Steel Case**
MODEL 59 	<ul style="list-style-type: none"> Moderate to severe operating conditions Heavy duty metal case Assembled design 	6 thru 90 (152.4 thru 2286)	5000 (25.4)	0.093 Max. (2.36)	Stainless Steel Finger	Steel Case**
MODEL 63 	<ul style="list-style-type: none"> Equivalent to Model 53 Assembled design 	1/4 thru 3 (6.4 thru 76.2)	3000 (15.2)	0.015 @ 1000 (0.38 @ 5.1) 0.010 @ 2000 (0.25 @ 10.2) 0.005 @ 3000 (0.13 @ 15.2)	Stainless Steel Finger	Steel Case**
MODEL 64® 	<ul style="list-style-type: none"> Severe service seal in steel mills, heavy equipment industry Assembled design 	8 thru 90 (203.2 thru 2286)	7000 (35.6)	0.125 @ 5000 (3.18 @ 25.4) 0.093 @ 7000 (2.36 @ 35.6)	Combination Carbon Steel* Garter and Stainless Steel Finger	Steel Outer Case** with Steel Inner Case†

FPM = feet per minute MPS = meters per second

Standard sealing element is nitrile.

MILL-RIGHT®, silicone and fluoroelastomer available.

*Stainless steel available on special order.

**Plated cases available on special order. Special tooling may be required for stainless steel cases.

Aluminum and brass cases thru 19.999 inches (507.97 mm) O.D. on special order.

†Plated steel available on special order.







WARNING:

Properties/applications shown throughout this brochure are typical. Your specific application should not be undertaken without independent study and evaluation for suitability. For specific application recommendations consult Garlock. Failure to select the proper sealing products could result in property damage and/or serious personal injury.

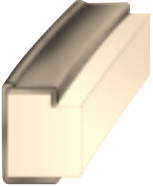


Performance data published in this brochure has been developed from field testing, customer field reports and/or in house testing.

While the utmost care has been used in compiling this brochure, we assume no responsibility for errors. Specifications subject to change without notice. This edition cancels all previous issues. Subject to change without notice.

Single Lip - Spring Loaded General Purpose Lubricant Retention Seals

	Features	Shaft Diameters In. (MM)	Surface Speed FPM (MPS)	Misalignment & Runout In. @ FPM (MM @ MPS)	Spring	O.D. Construction
MODEL 66 	<ul style="list-style-type: none"> Equivalent to Model 76 with heavy duty case Assembled design 	3/8 thru 7-7/8 (9.5 thru 200)	3000 (15.2)	0.015 @ 1000 (0.38 @ 5.1) 0.010 @ 2000 (0.25 @ 10.2) 0.005 @ 3000 (0.13 @ 15.2)	Carbon Steel* Garter	Steel Case**
MODEL 67 	<ul style="list-style-type: none"> General purpose Strong sealing element Assembled design 	1/2 thru 3-1/4 (12.7 thru 82.5)	1000 (5.1)	0.010 @ 500 (0.25 @ 2.5) 0.005 @ 1000 (0.13 @ 5.1)	Carbon Steel* Garter	Steel Case**
MODEL 76 	<ul style="list-style-type: none"> General purpose Fits minimum space Bonded design 	1/4 thru 8 (6.4 thru 203.2) limited sizes available	3000 (15.2)	0.015 @ 1000 (0.38 @ 5.1) 0.010 @ 2000 (0.25 @ 10.2) 0.005 @ 3000 (0.13 @ 15.2)	Carbon Steel* Garter	Steel Case
MODEL 87 	<ul style="list-style-type: none"> Moderately severe service seal with rubber O.D. to ease installation Molded design Reverse bevel lip eliminates roll-over 	6 thru 48 (152.4 thru 1219.2)	5000 (25.4)	0.100 @ 2500 (2.54 @ 12.7) 0.050 @ 5000 (1.27 @ 25.4)	Carbon Steel Garter Encapsulated	Rubber Covered Steel Ring
MODEL 88 	<ul style="list-style-type: none"> Moderately severe service seal with rubber O.D. to ease installation Molded design Reverse bevel lip eliminates roll-over 	6 thru 48 (152.4 thru 1219.2)	5000 (25.4)	0.050 @ 2500 (1.27 @ 12.7) 0.025 @ 5000 (0.64 @ 25.4)	Carbon Steel Garter Encapsulated	Rubber Covered Steel Ring
MODEL 92 	<ul style="list-style-type: none"> Equivalent to Model 76 with rubber O.D. for non-ferrous housings Bonded design 	1/4 thru 12-1/2 (6.4 thru 317.5) limited sizes available	3000 (15.2)	0.015 @ 1000 (0.38 @ 5.1) 0.010 @ 2000 (0.25 @ 10.2) 0.005 @ 3000 (0.13 @ 15.2)	Carbon Steel* Garter	Rubber Covered Steel Case

Single Lip - No Spring - Retains Heavy Lubricants, Excludes Contaminants with Reverse Installation

	Features	Shaft Diameters In. (MM)	Surface Speed FPM (MPS)	Misalignment & Runout In. @ FPM (MM @ MPS)	Spring	O.D. Construction
MODEL 58 	<ul style="list-style-type: none"> THERMO-CERAM™ sealing element withstands high temperatures, abrasive applications For reciprocating and rotating equipment Ideal for steel industry 	2 thru 12 (50.8 thru 305)	500 (2.5)	0.015 @ 500 (0.38 @ 2.5)	None	Steel Case
MODEL 71 	<ul style="list-style-type: none"> General purpose standard seal Bonded design 	1/4 thru 7-1/4 (6.4 thru 184.2) limited sizes available	1000 (5.1)	0.005 @ 1000 (0.13 @ 5.1)	None	Steel Case
MODEL 91 	<ul style="list-style-type: none"> Equivalent to Model 71 with rubber O.D. for non-ferrous housings Bonded design 	9/32 thru 5 (7.1 thru 127) limited sizes available	1000 (5.1)	0.005 @ 1000 (0.13 @ 5.1)	None	Rubber Covered Steel Case

FPM = feet per minute MPS = meters per second

Standard sealing element is nitrile.
Model 57 available in nitrile, silicone MILL-RIGHT® and fluoroelastomer.

*Stainless steel available on special order.

**Plated cases available on special order. Special tooling may be required for stainless steel cases.



WARNING:

Properties/applications shown throughout this brochure are typical. Your specific application should not be undertaken without independent study and evaluation for suitability. For specific application recommendations consult Garlock. Failure to select the proper sealing products could result in property damage and/or serious personal injury.

Performance data published in this brochure has been developed from field testing, customer field reports and/or in house testing.

While the utmost care has been used in compiling this brochure, we assume no responsibility for errors. Specifications subject to change without notice. This edition cancels all previous issues. Subject to change without notice.

Dual Opposed Lips - Both Lips with Spring, Separates Lubricant from a Dissimilar Fluid







	Features	Shaft Diameters In. (MM)	Surface Speed FPM (MPS)	Misalignment & Runout In. @ FPM (MM @ MPS)	Spring	O.D. Construction
MODEL 53R2 	<ul style="list-style-type: none"> • Heavy duty case • Assembled design 	3 thru 15 (76.4 thru 381)	1000 (5.1)	0.010 @ 500 (0.25 @ 2.5) 0.005 @ 1000 (0.13 @ 5.1)	Stainless Steel Finger	Steel Case**
MODEL 63R2 	<ul style="list-style-type: none"> • Equivalent to Model 53R2 • Assembled design 	1/4 thru 3 (6.4 thru 76.2)	1000 (5.1)	0.010 @ 500 (0.25 @ 2.5) 0.005 @ 1000 (0.13 @ 5.1)	Stainless Steel Finger	Steel Case**

Standard sealing element is nitrile.
 **Plated cases available on special order. Special tooling may be required for stainless steel cases.





FPM = feet per minute

MPS = meters per second

Dual Opposed Lips - One Lip with Spring, Sprung Lip Retains Lubricants, Un-Sprung Lip Excludes Contaminants

	Features	Shaft Diameters In. (MM)	Surface Speed FPM (MPS)	Misalignment & Runout In. @ FPM (MM @ MPS)	Spring	O.D. Construction
MODEL 3 	<ul style="list-style-type: none"> General purpose standard design Bonded design 	1/2 thru 7-1/4 (12.7 thru 184.2)	4000 (20.3)	0.015 @ 1000 (0.38 @ 5.1) 0.010 @ 2000 (0.25 @ 10.2) 0.005 @ 4000 (0.13 @ 20.3)	Carbon Steel* Garter	Steel Case
MODEL 26R1 	<ul style="list-style-type: none"> General purpose, non-metallic seal Molded one-piece construction 	3/4 thru 60 (19.4 thru 1524)	5000 (25.4)	0.015 @ 1000 (0.38 @ 5.1) 0.010 @ 2000 (0.25 @ 10.2) 0.008 @ 5000 (0.20 @ 25.4)	Stainless Steel Finger	Rubber with reinforced heel
MODEL 53R1 	<ul style="list-style-type: none"> Heavy duty case Assembled design Equivalent to Model 63R1 Assembled design 	53R1: 3 thru 15 (76.2 thru 381) 63R1: 1/4 thru 3 (6.4 thru 76.2)	2000 (10.2)	0.015 @ 1000 (0.38 @ 5.1) 0.10 @ 2000 (0.25 @ 10.2)	Stainless Steel Finger	Steel Case**
MODEL 53F1 	<ul style="list-style-type: none"> Felt element excludes contaminants Equivalent to Model 63F1 Assembled design 	53F1: 3 thru 15 (76.2 thru 381) 63F1: 1/4 thru 3 (6.4 thru 76.2)	1000 (5.1)	0.010 @ 1000 (0.25 @ 5.1)	Stainless Steel Finger	Steel Case**
MODEL 57 	<ul style="list-style-type: none"> Slow speed applications Caster applications Available with single and dual lips 	2 thru 12 (50.8 thru 304.8)	500 (2.5)	0.015 @ 500 (0.38 @ 2.5)	Stainless Steel Finger	Rubber Covered Steel Case
MODEL 94 	<ul style="list-style-type: none"> Equivalent to Model 3 with rubber O.D. for non-ferrous housings Bonded design 	7/16 thru 7-3/8 (11.1 thru 187.3)	3000 (15.2)	0.015 @ 1000 (0.38 @ 5.1) 0.10 @ 2000 (0.25 @ 10.2) 0.005 @ 3000 (0.13 @ 15.2)	Carbon Steel* Garter	Rubber Covered Steel Case

Dual Tandem Lips Retains Lubricants

	Features	Shaft Diameters In. (MM)	Surface Speed FPM (MPS)	Misalignment & Runout In. @ FPM (MM @ MPS)	Spring	O.D. Construction
MODEL 53TB 	<ul style="list-style-type: none"> • Non-sprung front lip serves as a baffle • Sprung back lip for effective sealing • Assembled design 	3 thru 15 (76.2 thru 381)	1000 (5.1)	0.010 @ 500 (0.25 @ 2.5) 0.005 @ 1000 (0.13 @ 5.1)	Stainless Steel Finger	Steel Case**
MODEL 63TB 	<ul style="list-style-type: none"> • Non-sprung front lip serves as a baffle • Sprung back lip for effective sealing • Assembled design 	1/4 thru 3 (6.4 thru 76.2)	1000 (5.1)	0.010 @ 500 (0.25 @ 2.5) 0.005 @ 1000 (0.13 @ 5.1)	Stainless Steel Finger	Steel Case**
MODEL 53T2 	<ul style="list-style-type: none"> • Both lips have spring for effective sealing • Assembled design 	3 thru 15 (76.2 thru 381)	1000 (5.1)	0.010 @ 500 (0.25 @ 2.5) 0.005 @ 1000 (0.13 @ 5.1)	Stainless Steel Finger	Steel Case*
MODEL 63T2 	<ul style="list-style-type: none"> • Both lips have spring for effective sealing • Assembled design 	1/4 thru 3 (6.4 thru 76.2)	1000 (5.1)	0.010 @ 500 (0.25 @ 2.5) 0.005 @ 1000 (0.13 @ 5.1)	Stainless Steel Finger	Steel Case*

FPM = feet per minute MPS = meters per second

Standard sealing element is nitrile.

*Stainless steel available on special order.

**Plated cases available on special order. Special tooling may be required for stainless steel cases.


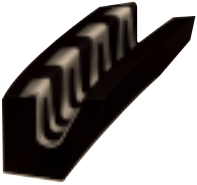



WARNING:

Properties/applications shown throughout this brochure are typical. Your specific application should not be undertaken without independent study and evaluation for suitability. For specific application recommendations consult Garlock. Failure to select the proper sealing products could result in property damage and/or serious personal injury.

Performance data published in this brochure has been developed from field testing, customer field reports and/or in house testing.

While the utmost care has been used in compiling this brochure, we assume no responsibility for errors. Specifications subject to change without notice. This edition cancels all previous issues. Subject to change without notice.

Single Lip Split - Retains Lubricants[†] Eliminates Costly Equipment Teardown

	Features	Shaft Diameters In. (MM)	Surface Speed FPM (MPS)	Misalignment & Runout In. @ FPM (MM @ MPS)	Spring	O.D. Construction
MODEL 21 	<ul style="list-style-type: none"> • Low speed service seal • Cover plate required for sealing installation 	3 thru 42 (76.2 thru 1066.8)	1000 (5.1)	0.010 @ 500 (0.25 @ 2.5) 0.005 @ 1000 (0.13 @ 5.1)	Molded in Stainless Steel Finger	Molded Rubber
MODEL 23 	<ul style="list-style-type: none"> • General purpose service seal • Cover plate required for sealing installation 	3 and up (76.2 and up)	2000 (10.2)	0.010 @ 1000 (0.25 @ 5.1) 0.005 @ 2000 (0.13 @ 10.2)	Molded in Stainless Steel Finger	Molded Rubber
MODEL 24 	<ul style="list-style-type: none"> • Low speed service seal • Tapered O.D. fits in tapered groove in housing • Improved replacement for felt rings 	3 thru 21-1/2 (76.2 thru 546.1)	1000 (5.1)	0.010 @ 500 (0.25 @ 2.5) 0.005 @ 1000 (0.13 @ 5.1)	Molded in Stainless Steel Finger	Molded Rubber
MODEL 25 	<ul style="list-style-type: none"> • PTFE element for extremely severe chemicals • Cover plate required for sealing 	3 thru 20 max. O.D. (76.2 thru 508)	1000 (5.1)	0.010 @ 500 (0.25 @ 2.5) 0.005 @ 1000 (0.13 @ 5.1)	Carbon Steel** Garter	PTFE
MODEL 26 	<ul style="list-style-type: none"> • General purpose non-metallic seal • Molded one piece construction • No cover plate required • Reinforced heel 	1/4 thru 60 (19.4 thru 1524)	5000 (25.4)	0.015 @ 1000 (0.37 @ 5.1) 0.010 @ 2000 (0.25 @ 10.2) 0.008 @ 5000 (0.20 @ 25.4)	Stainless Steel Finger	Rubber with reinforced heel

Standard sealing element for Models 21, 23 and 24 is nitrile.
MILL-RIGHT®, silicone and fluoroelastomer available.

Bonded spring in Models 21, 23 and 24 allows for simplified installation.

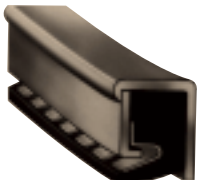


*Stainless steel available on special order.

[†]Preferred applications on grease lubricated or liquid level below shaft centerline.

FPM = feet per minute

MPS = meters per second

External Lip Seals

	Features	Shaft Diameters In. (MM)	Surface Speed FPM (MPS)	Misalignment & Runout In. @ FPM (MM @ MPS)	Spring	O.D. Construction
MODEL 111 	<ul style="list-style-type: none"> External lip seal Low speed service Assembled design 	3 thru 50 (76.2 thru 1270) limited sizes available	1000 (5.1)	0.010 @ 500 (0.25 @ 2.5) 0.005 @ 1000 (0.13 @ 5.1)	Stainless Steel Finger	Steel Case*
MODEL 113 	<ul style="list-style-type: none"> External lip seal Moderate speed service Assembled design 	3 thru 50 (76.2 thru 1270) limited sizes available	3000 (15.2)	0.020 @ 1000 (0.50 @ 5.1) 0.10 @ 2000 (0.25 @ 10.2) 0.005 @ 3000 (0.13 @ 15.2)	Stainless Steel Finger	Steel Case*
MODEL 123 	<ul style="list-style-type: none"> External lip seal Moderate speed service Assembled design 	1-5/32 thru 50 (29.4 thru 1270) limited sizes available	3000 (15.2)	0.020 @ 1000 (0.50 @ 5.1) 0.10 @ 2000 (0.25 @ 10.2) 0.005 @ 3000 (0.13 @ 15.2)	Stainless Steel Finger	Steel Case*

FPM = feet per minute MPS = meters per second

Standard sealing element for Models 21, 23 and 24 is nitrile. MILL-RIGHT®, silicone and fluoroelastomer available. Bonded spring in Models 21, 23 and 24 allows for simplified installation.

*Stainless steel available on special order.

†Preferred applications on grease lubricated or liquid level below shaft centerline.






WARNING:

Properties/applications shown throughout this brochure are typical. Your specific application should not be undertaken without independent study and evaluation for suitability. For specific application recommendations consult Garlock. Failure to select the proper sealing products could result in property damage and/or serious personal injury.

Performance data published in this brochure has been developed from field testing, customer field reports and/or in house testing.

While the utmost care has been used in compiling this brochure, we assume no responsibility for errors. Specifications subject to change without notice. This edition cancels all previous issues. Subject to change without notice.

Miscellaneous Seals

	Features	Shaft Diameters In. (MM)	Surface Speed FPM (MPS)	Misalignment & Runout In. @ FPM (MM @ MPS)	Spring	O.D. Construction
MODEL 54 	<ul style="list-style-type: none"> • Seals spherical surface on self-aligning or spherical bearing • Excludes contaminants or fluids from bearing • Assembled design 	For spherical radii consult size listing on page 11	1000 (5.1)	Does not apply	Stainless Steel Finger	Steel Case**
MODEL 61 	<ul style="list-style-type: none"> • PTFE element • Excellent chemical resistance • Recommended for small quantity requirements • Assembled design • Pressure to 150 psi 	7/16 thru 20 max seal O.D. (11.1 thru 508 max seal O.D.)	2000 (10.2)	0.005 @ 2000 (0.13 @ 10.2)	None	Steel Case**
MODEL 62 	<ul style="list-style-type: none"> • PTFE element • Excellent chemical resistance • Recommended for small quantity requirements • Assembled design 	7/16 thru 20 max seal O.D. (11.1 thru 508 max seal O.D.)	2000 (10.2)	0.005 @ 2000 (0.13 @ 10.2)	Carbon Steel* Garter	Steel Case**.
MODEL 142 	<ul style="list-style-type: none"> • Seals on plane surface perpendicular to axis or shaft • Developed for steel mill service to shield bearing oil seals from contaminants • Assembled design 	7-1/2 min. (190.5 min) Consult size listing on page 11	5000 (25.4)	Does not apply	Stainless Steel Finger	Steel Case**
MODEL 145 	<ul style="list-style-type: none"> • Face type seal • High speed service • See page 11 	7 thru 80 (177.8 thru 2032)	5000 (25.4)	Does not apply	Stainless Steel Garter	Does not apply

FPM = feet per minute MPS = meters per second

Model 54 standard sealing element is nitrile. silicone and fluoroelastomer available.

Model 142 available with nitrile sealing element only.

Model 145 available in nitrile, MILL-RIGHT® and fluoroelastomer.

*Stainless steel available on special order.

**Plated cases available on special order. Special tooling may be required for stainless steel cases.

WARNING:

Properties/applications shown throughout this brochure are typical. Your specific application should not be undertaken without independent study and evaluation for suitability. For specific application recommendations consult Garlock. Failure to select the proper sealing products could result in property damage and/or serious personal injury.

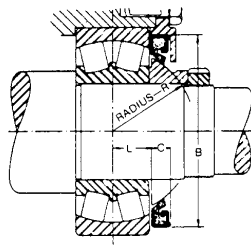
Performance data published in this brochure has been developed from field testing, customer field reports and/or in house testing.

While the utmost care has been used in compiling this brochure, we assume no responsibility for errors. Specifications subject to change without notice. This edition cancels all previous issues. Subject to change without notice.

Special Purpose

MODEL 54 Seal for Spherical Bearings

- L - Distance from bearing center to back of KLOZURE®
- R - Radius of spherical surface*
- B - Housing bore*
- C - KLOZURE® width*



*In the final layout these Model 54 tangential KLOZURE® dimensions as supplied may have to be altered, but dimensions will be used as a guide in designing the KLOZURE®. In addition to the foregoing dimensions, a data sheet giving pertinent operating information should be supplied.

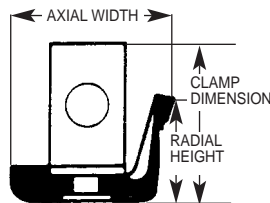
Available sizes, Model 54 tangential KLOZURES®
Information on other sizes on request

	"R" radius		"B" bore		"C" width		"L"		KLOZURE® Part No.
	in.	mm	in.	mm	+1/64"	0.4 mm	in.	mm	
2-3/8	60.33	5.125	130.18	5/8	15.88	1-7/32	30.96	54x6003	
2-3/4	69.85	6.000	152.40	5/8	15.88	1-17/64	32.15	54x6005	
3-3/8	85.73	6.500	165.10	5/8	15.88	2-1/16	52.39	54x9733	
3-9/16	90.49	7.250	184.15	9/16	14.29	1-45/64	43.26	54x6008	
4	101.6	8.000	203.20	5/8	15.88	2-1/4	57.15	54x6010	
4-1/4	107.95	8.250	209.55	5/8	15.88	2-1/2	63.50	54x7351	
4-3/8	111.13	9.125	231.78	5/8	15.88	2	50.80	54x6014	
4-3/4	120.65	9.250	234.95	5/8	15.88	2-5/8	66.68	54x9986	
5	127.00	9.750	247.65	5/8	15.88	2-3/4	69.85	54x6018	
5-1/4	133.35	10.750	273.05	11/16	17.46	2-1/2	63.50	54x6020	
5-5/8	142.88	11.375	288.93	1	25.40	2-11/16	68.26	54x6021	
6-5/8	168.28	12.500	317.50	5/8	15.88	3-3/8	85.73	54x6023	
7	177.80	13.500	342.90	3/4	19.05	3-5/16	84.14	54x6024	
8	203.20	14.750	374.65	5/8	15.88	4-1/8	104.78	54x9750	

MODEL 142 Steel Mill Water Seal

Radial height x 2 + shaft dia. = O.D. (excluding clamp)
Axial width is overall width.

All elements are nitrile only. All steel parts including clamps are carbon steel. Spring is stainless steel. These are the only materials available for this model.

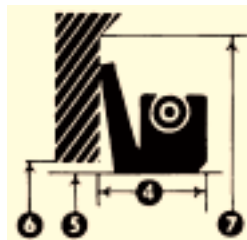


	Cross Section		Shaft Diameter or Minimum I.D. to which assembly can be formed		Clamp dimension		
	Radial Height in.	mm	Axial Width in.	mm	in.	mm	
1/2	12.7	3/4	19.05	7-1/2	190.50	1-1/4	31.75
9/16	14.29	1-1/4	31.75	12	304.80	1-5/16	33.34
9/16	14.29	1-5/16	33.34	12	304.80	1-5/16	33.34
9/16	14.29	1-3/8	34.93	12	304.80	1-5/16	33.34
3/4	19.05	1	25.40	18	457.20	1-1/8	28.58
1	25.40	1-1/4	31.75	30	762.00	1-11/32	34.13
1	25.40	1-3/8	34.93	30	762.00	1-11/32	34.13
1	25.40	1-1/2	38.10	30	762.00	1-11/32	34.13

MODEL 145A-1 Face Type Excluder Seal

21700

ASSEMBLED DIMENSIONS

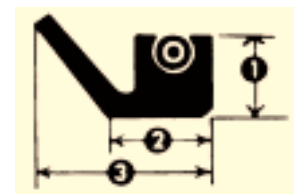


1. Height of cross section = 1" (25.4 mm)
2. Shaft contact width = 1-11/32" (34.1 mm)
3. Overall free width = 2-19/32" (65.9 mm)
4. Assembled width = 2 ± 1/2" (50.8 ± 12.7 mm)
5. Shaft diameter
6. Maximum face bore = shaft + 1" (shaft + 25.4 mm)
7. Minimum face dia. = shaft + 4-1/2" (shaft + 114.3 mm)

MODEL 145A-2 Face Type Excluder Seal

21750

CROSS SECTION DIMENSIONS



1. Height of cross section = 1/2" (12.7 mm)
2. Shaft contact width = 9/16" (14.3 mm)
3. Overall free width = 31/32" (24.6 mm)
4. Assembled width = 25/32" ± 5/32" (19.8 mm ± 4.0 mm)
5. Shaft diameter
6. Maximum face bore = shaft + 25/64" (shaft + 9.9 mm)
7. Minimum face dia. = shaft + 1-3/4" (shaft + 44.5 mm)

Special Purpose

MICRO-TEC® Bearing Protector Seal



Utilizing Microcellular Technology

Unique, engineered microcellular materials interact with the sealing media to create a barrier to lubricant leakage and contamination ingestion. An application data sheet must be completed to order these seals. Contact your local Garlock representative or authorized Garlock distributor for details.

Operating Specifications

Parameters	Standard	Optional
Speed	0 - 3,600 RPM	10,000 = RPM
Misalignment and Runout	0.060" TIR [†] (1.52mm TIR)	>0.060" TIR (1.52 mm) TIR
Axial Misalignment	0.010" (0.254 mm)	>0.010" (0.254 mm)
Pressure	Ambient	7.5 psi (0.5 bar)
Temperature	-40°F to 400°F (-40°C to 205°C)	>400°F (205°C)

[†]TIR = Total Indicator Reading

Available Materials

Component	Standard	Optional
Rotor and Stator	Aluminum, black anodized coating	Stainless Steel Carbon Steel PTFE
O-Rings	Fluoroelastomer for chemical and temperature resistance	silicone PTFE Buna-N Nitrile
Micro-cellular Materials	Low Density , seals out viscous materials, Medium Density , seals out less viscous materials High Density , seals out airborne contaminants	Specialized cellular materials available for extreme applications

WARNING:

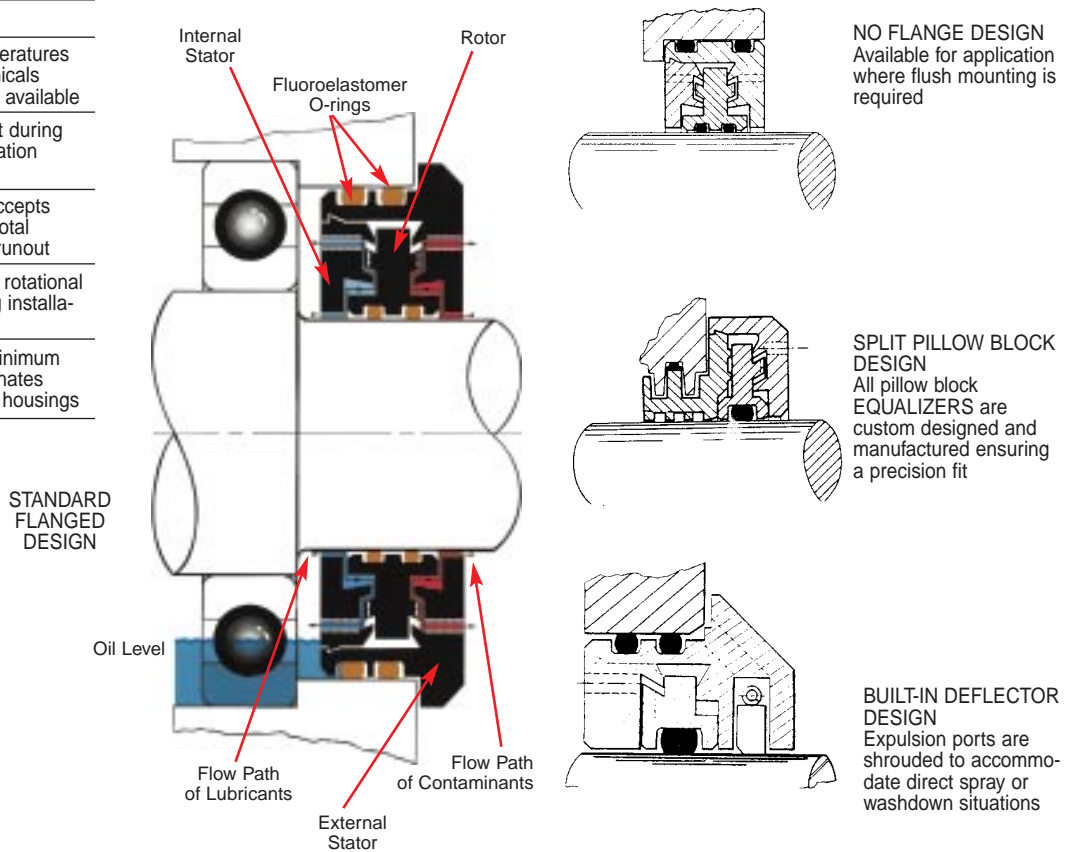
Properties/applications shown throughout this brochure are typical. Your specific application should not be undertaken without independent study and evaluation for suitability. For specific application recommendations consult Garlock. Failure to select the proper sealing products could result in property damage and/or serious personal injury. Performance data published in this brochure has been developed from field testing, customer field reports and/or in house testing.

While the utmost care has been used in compiling this brochure, we assume no responsibility for errors. Specifications subject to change without notice. This edition cancels all previous issues. Subject to change without notice.

EQUALIZER®

The Ultimate Bearing Protector

Features	Benefits
Graphite-filled PTFE construction standard	Handles high temperatures Resists most chemicals Alternate materials available
One-piece assembled design	Cannot come apart during installation or operation
Highest misalignment and runout allowed	Standard design accepts 0.015" (0.38 mm) total misalignment and runout
Sixteen expulsion ports	Seal installs in any rotational position eliminating installation errors
Narrow cross-section design available	3/16" (4.76 mm) minimum cross-section eliminates the need to re bore housings



Bearing Isolators

ISO-GARD® Bearing Isolators



Standard ISO-GARD®

- The most aggressive labyrinth in the industry, for superior contaminant exclusion
- Two-piece unitized construction won't come apart during installation
- Supports predictive maintenance programs and reduces unscheduled downtime
- PTFE material provides excellent chemical resistance and wide temperature capability
- Non-contact design eliminates shaft scoring, drag and frictional heat—no lubrication required
- Press-fit design means easy installation—no tools required
- Performs in accordance with NEMA MGI as required by IEEE Std. 841
- Constructed of FDA-compliant, glass-filled PTFE material†

† Available with FDA-compliant O-rings.

Specifications

Material:	Blue, glass-filled PTFE
Temperature:	-40°F to +400°F (-40°C to +204°C)
Surface speed:	To 4,500 fpm (22.9 m/s)
Axial motion:	±0.015" (0.38 mm)
Misalignment and runout:	±0.020" (0.50 mm)
Pressure:	Ambient*

* 5 psi for Grease-Purgeable ISO-GARD®

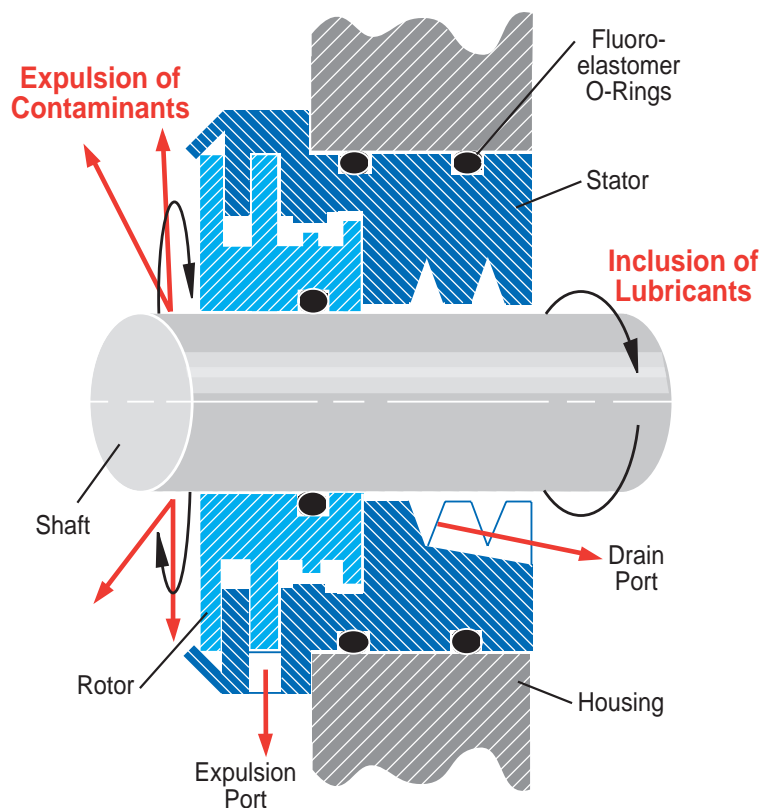
- Also available in grease purgeable, flangeless and vertical designs
- Also available in graphite-filled PTFE, stainless steel filled PTFE, bronze and stainless steel material

WARNING:

Properties/applications shown throughout this brochure are typical. Your specific application should not be undertaken without independent study and evaluation for suitability. For specific application recommendations consult Garlock. Failure to select the proper sealing products could result in property damage and/or serious personal injury.

Performance data published in this brochure has been developed from field testing, customer field reports and/or in house testing.

While the utmost care has been used in compiling this brochure, we assume no responsibility for errors. Specifications subject to change without notice. This edition cancels all previous issues. Subject to change without notice.



General Engineering Data

Garlock precision-made KLOZURE® Oil Seals are designed and engineered to give long and effective service on any job for which an oil seal is required.

Satisfactory sealing service cannot be achieved unless the shaft and surrounding machine parts are in proper mechanical condition. Shaft speeds, temperatures and other operating factors also have an important bearing upon all seal performance. Recommended practices and limitations affecting oil seal applications are set forth in the following paragraphs and tables.

Shaft finish

The degree of sealing efficiency of an oil seal is almost in direct proportion to the condition of the shaft surface in contact with the sealing member. Rough, poorly finished shafts, or shafts with turning or grinding spirals or "threads", cannot be effectively sealed. New sealing surfaces are required for the replacement oil seal. See Table 1 for specific recommendations.

Shaft-to-bore misalignment and dynamic runout

Shaft-to-bore misalignment is defined as the distance by which the shaft is off-center with respect to the bore.

Dynamic runout is defined as the amount by which the shaft (at the sealing surface) does not rotate around the true center. It is measured by the total movement of a dial indicator held against the shaft surface while the shaft is slowly rotated (see Figure A, Page 16). This is read as total indicator reading, or TIR.

Perfect concentricity of the shaft and housing is rarely possible or necessary, but the faster the shaft turns, the more nearly concentric the two should be. Excessive misalignment causes uneven wear and can shorten seal life. Good practice dictates that the shaft-to-bore misalignment not exceed 0.010" (0.25 mm).

Similarly, dynamic runout affects sealing efficiency and should be kept below 0.010" (0.25 mm) TIR.

Pressure data

Standard oil seals should not be used when the operating pressure exceeds the limits shown in Table 2, Page 15.

When variable surge pressures exceeding the above limits are present, a special condition exists and full details should be submitted for engineering recommendation.

Higher operating pressures may be feasible if a custom seal is considered. However, when a pressure seal is used, features such as the ability to take greater eccentricities are sacrificed. Whenever possible, the equipment design should be such that the system is vented. This will allow the seal to function more efficiently.

Tolerance

Close tolerances in the finished dimensions of the shaft, in the bore of the housing, and in the oil seal itself are essential to

satisfactory seal performance. See Tables 3, 4 and 5, Page 15 and 16.

The bore tolerances apply only to ferrous materials. When non-ferrous materials such as aluminum are used, full details should be submitted for recommendation. Seal width tolerance is $\pm 1/64"$ (0.4 mm).

Standard seal torque

Torque readings for oil seals can be as varied as the number of different oil seal applications. Factors that vitally affect the dependability and uniformity of a torque reading include (1) rate and uniformity of shaft rotation, (2) amount of lubrication, (3) type of lubrication, (4) ambient temperatures, (5) shaft finish, (6) seal alignment, and (7) sealing element material. Due to these factors, oil seal torque figures, to be of value, must be developed for each application.

Important note

The recommendations in this catalog as to shaft finishes, misalignment, runout, speeds, temperatures and tolerances are those generally applicable, but they are not to be interpreted as applying, without reservation or exception, to each and every application. The model and type of seal selected for a given application, and other conditions surrounding that application, may modify these average limitations one way or the other. Therefore, it is desirable in most cases to provide full information to Garlock and let our experienced staff of engineers submit a recommendation.

**Table 1
Shaft Data**

Hardness	Rockwell C 30 to 40 (Rockwell C 45 minimum will provide extra protection against damage during handling or assembly)
Finish (Plunge grind is recommended as most satisfactory)	10-20 mu in. AA (0.25-0.50 micrometers) with no machine lead, scratches, dents, corrosion, pits or other surface defects
Surface speed*	Formula: Feet-Per-Min. = Shaft Dia. (in) x RPM x 0.262 Meters-Per-Sec. = Shaft Dia. (mm) x RPM x 0.0000524
Safe speed depends on**	1. Shaft finish 2. Misalignment and runout 3. Amount and kind of lubricant 4. Seal design 5. Pressure

* Pages 1 thru 10 show recommended KLOZURE® Oil Seals for various speeds and operating conditions.

** As shaft speed increases, the factors become more critical.

General Engineering Data Tables

Table 2
Operating Pressure Limits

Shaft Speed		Maximum* Pressure	
Feet per Minute	Meters per Second	Pounds per Square Inch	Kilo-Pascals
0 - 1000	0 - 5.1	7	48
1001 - 2000	5.2 - 10.2	5	35
2001 & Up	10.3 & Up	3	21

*Split KLOZURE® Oil Seals are not recommended for applications involving fluid pressure

Table 3
Shaft Diameter Tolerances

Shaft Diameter		Recommended Tolerance	
Inch	Millimeter	Inch	Millimeter
Up thru 4.000	Up thru 101.60	±0.003	±0.08
4.001 - 6.000	101.61 - 152.40	±0.004	±0.10
6.001 - 10.000	152.41 - 254.00	±0.005	±0.13
10.001 & Up	254.01 & Up	±0.006	±0.15

Table 4
Bore Tolerance and Seal Press Fits for Metal O.D. Seals

Housing Bore Diameter (Nominal)		Recommended Bore Diameter Tolerance†		Press Fit* Range	
Inch	Millimeter	Inch	Millimeter	Inch	Millimeter
Thru 1.000	Thru 25.40	±0.001	±0.03	0.002 to 0.006	0.05 to 0.15
1.001 - 3.000	25.41 - 76.20	±0.001	±0.03	0.002 to 0.007	0.05 to 0.18
3.001 - 4.000	76.21 - 101.60	±0.0015	±0.04	0.003 to 0.007	0.08 to 0.18
4.001 - 4.375	101.61 - 111.13	±0.0015	±0.04	0.003 to 0.008	0.08 to 0.20
4.376 - 6.000	111.14 - 152.40	±0.0015	±0.04	0.003 to 0.010	0.08 to 0.25
6.001 - 7.000	152.41 - 177.80	±0.002	±0.05	0.004 to 0.011	0.10 to 0.28
7.001 - 8.000	177.81 - 203.20	±0.002	±0.05	0.004 to 0.013	0.10 to 0.33
8.001 - 9.000	203.21 - 228.60	±0.002	±0.05	0.005 to 0.014	0.13 to 0.36
9.001 - 10.000	228.61 - 254.00	±0.002	±0.05	0.006 to 0.016	0.15 to 0.41
10.001 - 20.000	254.01 - 508.00	+0.002 -0.004	+0.05 -0.10	0.006 to 0.020	0.15 to 0.51
20.001 - 30.000	508.01 - 762.00	+0.002 -0.006	+0.05 -0.15	0.006 to 0.024	0.15 to 0.61
30.001 - 40.000	762.01 - 1016.00	+0.002 -0.006	+0.05 -0.15	0.006 to 0.026	0.15 to 0.66
40.001 - 60.000	1016.01 - 1524.00	+0.002 -0.010	+0.05 -0.25	0.006 to 0.03	0.15 to 0.81

† Recommended Bore Finish = 100 microinches AA (2.54 micrometers) or smoother.

* Press Fit = Seal O.D. minus nominal bore diameter (Seal O.D. is the average of a minimum of three measurements taken at equally spaced positions).

WARNING:

Properties/applications shown throughout this brochure are typical. Your specific application should not be undertaken without independent study and evaluation for suitability. For specific application recommendations consult Garlock. Failure to select the proper sealing products could result in property damage and/or serious personal injury.

Performance data published in this brochure has been developed from field testing, customer field reports and/or in house testing.

While the utmost care has been used in compiling this brochure, we assume no responsibility for errors. Specifications subject to change without notice. This edition cancels all previous issues. Subject to change without notice.

General Engineering Data Tables

Table 5
Bonded Lip Type Seals

Bore Diameter		Press Fit Allowance				Tolerance			
		Metal Case		Rubber Covered Case		Metal Case		Rubber Covered Case	
Inch	mm	Inch	mm	Inch	mm	Inch	mm	Inch	mm
Up to 1.000	Up to 25.40	+0.004	+0.10	+0.006	+0.15	±0.002	±0.05	±0.003	±0.08
1.001 - 2.000	25.43 - 50.8	+0.004	+0.10	+0.007	+0.18	±0.002	±0.05	±0.003	±0.08
2.001 - 3.000	50.83 - 76.2	+0.004	+0.10	+0.010	+0.25	±0.002	±0.05	±0.003	±0.08
3.001 - 4.000	76.23 - 101.6	+0.005	+0.13	+0.010	+0.25	±0.002	±0.05	±0.004	±0.10
4.001 - 6.000	101.63 - 152.4	+0.005	+0.13	+0.012	+0.30	+0.003 -0.002	+0.08 -0.05	±0.004	±0.10
6.001 - 8.000	152.43 - 203.2	+0.006	+0.15	+0.012	+0.30	+0.003 -0.002	+0.08 -0.05	±0.004	±0.10
8.001 - 10.000	203.23 - 254.0	+0.008	+0.20	+0.012	+0.30	+0.004 -0.002	+0.10 -0.10	±0.004	±0.10
10.001 - 20.000	254.03 - 508.0	+0.008	+0.20	+0.015	+0.38	+0.006 -0.002	+0.15 -0.05	±0.005	±0.13

Rubber O.D. Seals
Model 57

Bore Diameter		Press Fit		Tolerance	
Inch	mm	Inch	mm	Inch	mm
3.000	76.2	0.009	0.23	±0.004	±0.10
3.001 - 5.000	76.23 - 127.0	0.010	0.25	±0.004	±0.10
5.001 - 6.000	127.03 - 152.4	0.012	0.30	±0.005	±0.13
6.001 - 10.000	152.43 - 254.0	0.012	0.30	±0.005	±0.13
10.001 - 20.000	254.03 - 508.0	0.015	0.38	±0.005	±0.13

Model 87/88

Bore Diameter		Press Fit		Tolerance	
Inch	mm	Inch	mm	Inch	mm
6.000 - 8.000	152.4 - 203.2	0.018	0.46	±0.006	±0.15
8.001 - 12.000	203.23 - 304.8	0.020	0.51	±0.008	±0.20
12.001 - 23.749	304.83 - 603.2	0.025	0.64	±0.008	±0.20
23.750 - 48.000	603.25 - 1219.2	0.030	0.76	±0.010	±0.25

Figure A
Shaft to Bore Misalignment

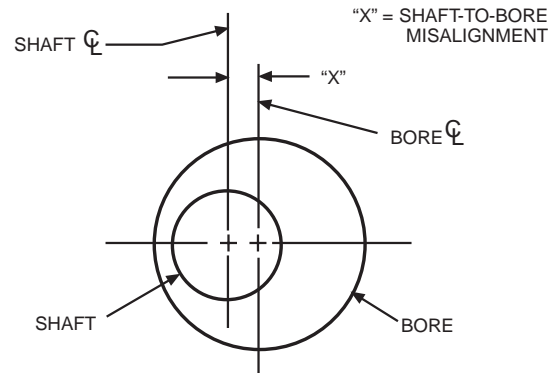
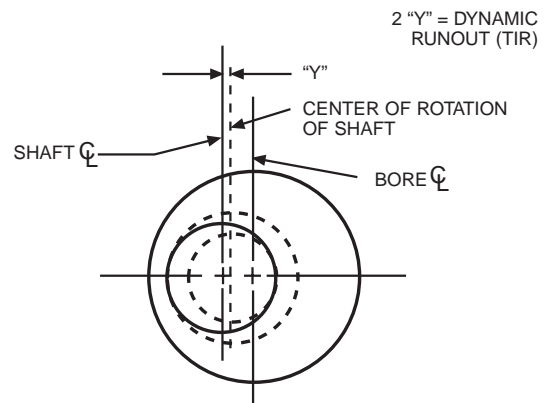


Figure B
Dynamic Runout



General Engineering Data Tables

Model 26

Bore Diameter		Press Fit Allowance		Tolerance	
Inch	mm	Inch	mm	Inch	mm
1.000 - 2.999	25.40 - 76.2	0.025	0.64	±0.005	±0.13
3.000 - 5.999	76.2 - 152.4	0.028	0.71	+0.010 -0.005	+0.25 -0.13
6.000 - 7.999	152.4 - 203.2	0.030	0.76	+0.010 -0.005	+0.25 -0.13
8.000 - 9.999	203.2 - 254.0	0.035	0.89	+0.010 -0.005	+0.25 -0.13
10.000 - 10.999	254.0 - 279.4	0.040	1.02	+0.010 -0.005	+0.25 -0.13
11.000 - 11.999	279.4 - 304.8	0.045	1.14	+0.010 -0.005	+0.25 -0.13
12.000 - 12.999	304.8 - 330.2	0.048	1.22	±0.010	±0.25
13.000 - 13.999	330.2 - 355.6	0.050	1.27	±0.010	±0.25
14.000 - 15.999	355.6 - 406.4	0.055	1.40	±0.010	±0.25
16.000 - 16.999	406.4 - 431.8	0.060	1.52	±0.010	±0.25
17.000 - 17.999	431.8 - 457.2	0.065	1.65	±0.010	±0.25
18.000 - 18.999	457.2 - 482.6	0.070	1.78	±0.010	±0.25
19.000 - 20.999	482.6 - 533.4	0.075	1.91	±0.010	±0.25
21.000 - 21.999	533.4 - 558.8	0.080	2.03	±0.015	±0.38
22.000 - 22.999	558.8 - 584.2	0.085	2.16	±0.015	±0.38
23.000 - 23.999	584.2 - 609.6	0.090	2.29	±0.015	±0.38
24.000 - 24.999	609.6 - 635.0	0.093	2.36	±0.015	±0.38
25.000 - 25.999	635.0 - 660.4	0.095	2.41	±0.015	±0.38
26.000 and Up	660.4 and Up	0.100	2.54	±0.015	±0.38

WARNING:

Properties/applications shown throughout this brochure are typical. Your specific application should not be undertaken without independent study and evaluation for suitability. For specific application recommendations consult Garlock. Failure to select the proper sealing products could result in property damage and/or serious personal injury.

Performance data published in this brochure has been developed from field testing, customer field reports and/or in house testing.

While the utmost care has been used in compiling this brochure, we assume no responsibility for errors. Specifications subject to change without notice. This edition cancels all previous issues. Subject to change without notice.

Nomenclature

Figure C
Assembled Design

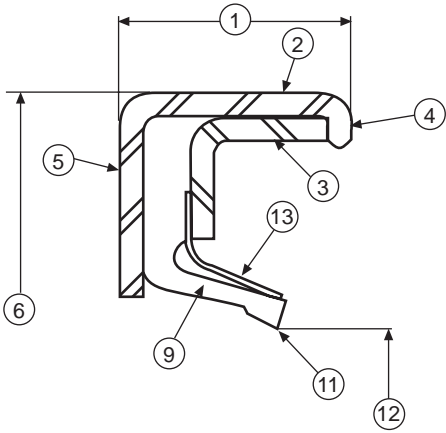
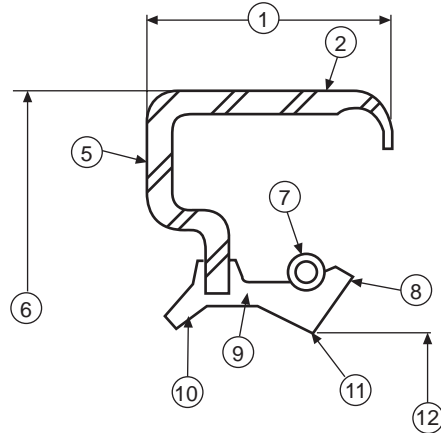


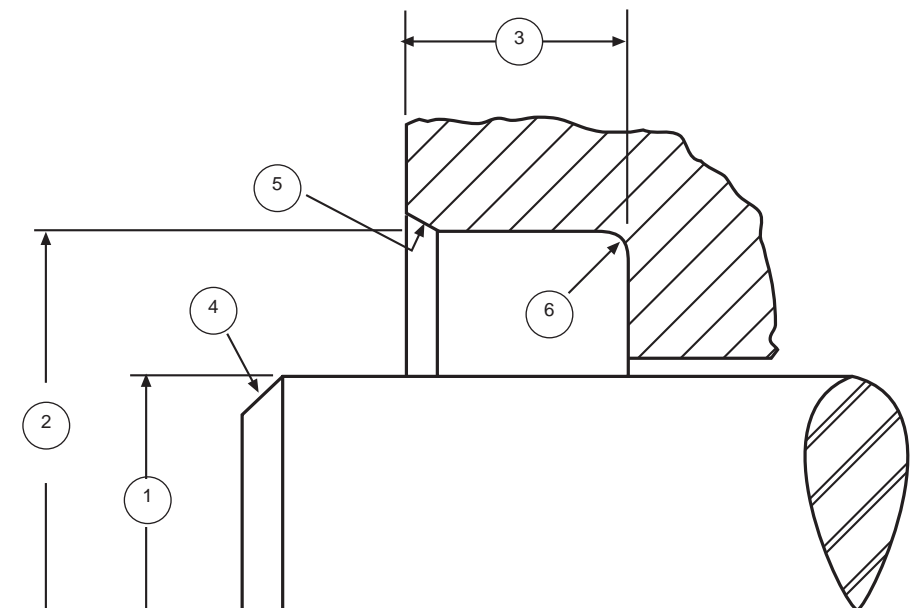
Figure D
Bonded Design



- | | |
|------------------------|--------------------------|
| 1. Case Width | 8. Spring Retaining Clip |
| 2. Outer Case | 9. Flex Section |
| 3. Inner Case | 10. Secondary Lip |
| 4. Inside Face | 11. Control Line |
| 5. Outside Face | 12. Lip Diameter |
| 6. Seal Outer Diameter | 13. Finger Spring |
| 7. Garter Spring | |

Figure E
Shaft & Housing

1. Shaft Diameter
2. Bore Diameter
3. Bore Depth
4. Shaft Lead Corner
5. Bore Lead in Chamfer
6. Corner Radius



WARNING:

Properties/applications shown throughout this brochure are typical. Your specific application should not be undertaken without independent study and evaluation for suitability. For specific application recommendations consult Garlock. Failure to select the proper sealing products could result in property damage and/or serious personal injury.

Performance data published in this brochure has been developed from field testing, customer field reports and/or in house testing.

While the utmost care has been used in compiling this brochure, we assume no responsibility for errors. Specifications subject to change without notice. This edition cancels all previous issues. Subject to change without notice.

Selection Charts for Seal Elements

Advantages	Nitriles	MILL-RIGHT ^{††}	Silicones	Fluoroelastomers Viton* Fluorel [†]	TFE fluoro- carbon Teflon**
	Low cost Good oil and abrasion resistance Good low temperature and swell characteristics	Good oil resistance Excellent abrasion resistance Good heat resistance Good low temperature and swell characteristics	Good heat resistance Excellent low temperature properties	Resistant to wide variety of additives and fluids Exceptional heat resistance Low swell characteristics	Offers practically universal resistance to fluid media Low friction material Good heat resistance
Disadvantages	Lacks exceptional heat resistance Tendency to harden during high temperature usage	Can be difficult to split due to the toughness of the material Chemical resistance similar to nitrile	High swell characteristics in some lubricants Poor chemical resistance to oxidized oils and some EP additives Poor dry running characteristics Easily damaged by handling	High cost Special tooling may be required	Poor seal performance with high runout or misalignment Special tooling usually required High cost Susceptible to installation damage

Mechanical, Temperature Compatibility

Durometer	70-90	75	80	70-80	—
Compression	Good	Good	Good	Good	—
Dry Running	Good	Good	Poor	Fair	Good
Abrasion Resistance	Good	Excellent	Poor	Fair	Good
Minimum Operating	-40°F (-40°C)	-40°F (-40°C)	-75°F (-60°C)	-22°F (-30°C)	-120°F (-85°C)
Maximum Operating	240°F (120°C)	350°F (175°C)	350°F (175°C)	400°F (205°C)	400°F (205°C)
Ozone Resistance	Fair	Good	Good	Good	Good
ATF	Good	Good	Good	Good	Good
Brake Fluid	Poor	Poor	Poor	Fair	Good
Butane	Good	Good	Fair	Good	Good
Engine Oil	Good	Good	Good	Good	Good
EP Lube	Fair	Fair	Poor	Good	Good
Freon	Good	Good	Poor	Fair	Good
Fuel Oil	Good	Good	Poor	Good	Good
Gasoline	Good	Good	Poor	Good	Good
Grease	Good	Good	Fair	Good	Good
Hydraulic Oil (pet. base)	Good	Good	Good	Good	Good
Ketones	Poor	Poor	Poor	Poor	Good
MIL-L-2105B	Fair	Fair	Poor	Fair	Good
MIL-L-5606B	Good	Good	Poor	Good	Good
MIL-L-6082C	Good	Good	Good	Good	Good
MIL-L-7808F	Fair	Fair	Good	Good	Good
MIL-L-10924B	Good	Good	Poor	Good	Good
Perchloroethylene	Fair	Fair	Poor	Good	Good
Phosphate Ester	Poor	Poor	Good	Good	Good
SAE 90	Good	Good	Poor	Good	Good
Skydrol 500***	Poor	Poor	Good	Poor	Good
Water (Fresh)	Good	Good	Good	Good	Good
Water (Salt)	Good	Good	Good	Good	Good

The above ratings are general with respect to different polymers. Specific ratings depend on the specific compound, specific fluid, temperature and degree of exposure of immersion.

* DuPont Dow Elastomers Trademark

** DuPont Trademark

*** Monsanto Company Trademark

† 3M Company Trademark

†† Proprietary Garlock material

Installation Instructions

Like any precision-made machine part, a Garlock KLOZURE® Oil Seal should be handled with reasonable care when being installed in your equipment. Although a KLOZURE® Oil Seal is compactly built and is not fragile, rough handling may mar or damage the flexible lip of the sealing member, resulting in an imperfect sealing job.

Assembled and Bonded Seals

Check sizes

Before proceeding with the installation, make sure that the seal of the correct size has been selected and that the surrounding equipment parts are in proper condition. It is suggested, therefore, that the following checks should be made.

1. Is the seal of correct size to fit the shaft? If the shaft is undersize, leakage may follow. If the shaft is oversize, excessive frictional drag may result.
2. Is the bore that is to receive the seal of the proper diameter so that a leakless press fit will be obtained?

Preparation of oil seal

An oil seal does not require any special treatment or conditioning prior to its assembly in the equipment. However, a film or coating of a suitable lubricant makes it easier to apply the seal over the shaft or mounting tool. We recommend lubricating either the shaft or seal lip before mounting seal.

Preparation of shaft

The shaft surface over which the seal will slide must be smooth and free from burrs, nicks or scratches which may damage the sealing lip. Recommended shaft finishes are shown on Table 1, page 14. The free, inside diameter of the lip of a seal is smaller than the diameter of the shaft on which it is used. The end of the shaft should be chamfered or rounded to prevent lip damage and to ease installation of the seal. See Figure 1.

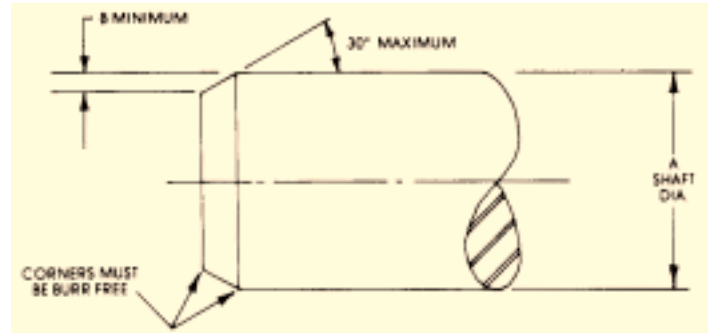
If for any reason the shaft cannot be chamfered or rounded, then a suitable mounting tool should be used for applying the seal. Typical tools for this purpose are shown in Figure 2.

Preparation of housing bore

The bore should be chamfered to permit easy entry of the seal and should have smooth, machined surfaces. Rough surfaces may score the metal case of the seal and permit seepage. See Figure 3, page 21. When a lubricant head is present, if the bore is 100 microinches AA (2.54 micrometers) or better, bore leakage problems should not be encountered if no tool removal defects are present.

Recommended Shaft Lead Corner

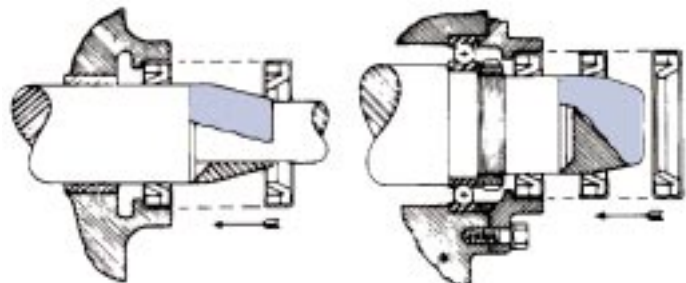
Figure 1



A - Shaft Diameter		B - Minimum*	
Inch	mm	Inch	mm
Thru 0.394	Thru 10.00	0.030	0.75
0.395 - 0.787	10.01 - 20.00	0.040	1.00
0.788 - 1.181	20.01 - 30.00	0.050	1.25
1.182 - 1.575	30.01 - 40.00	0.060	1.50
1.576 - 1.969	40.01 - 50.00	0.070	1.75
1.970 - 2.756	50.01 - 70.00	0.080	2.00
2.757 - 3.740	70.01 - 95.00	0.090	2.25
3.741 - 5.118	95.01 - 130.00	0.110	2.75
5.119 - 9.449	130.01 - 240.00	0.140	3.50
9.450 & Up	240.01 & Up	0.220	5.50

*If a shaft lead-in radius is used, maintain the diametral difference to no less than indicated value

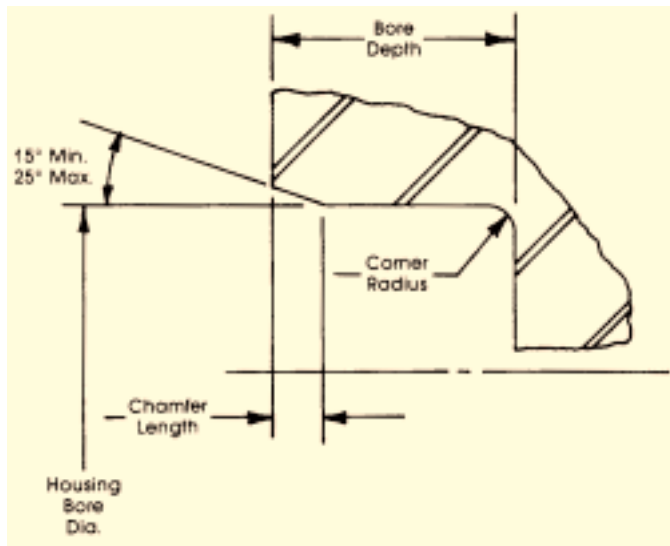
Figure 2



Remove all burrs, break or chamfer all sharp edges. Surfaces over which seal slides must be smooth and free from nicks or rough spots.

Installation Instructions

Figure 3
Housing Bore Dimensions



Nominal Seal Width		Chamfer Length		Max. Housing Corner Radius	
Inch	mm	Inch	mm	Inch	mm
Thru 0.394	Thru 10.00	0.03-0.04	0.7-1.0	0.020	0.50
Over 0.394	Over 10	0.05-0.06	1.2-1.5	0.030	0.75

If the surface is rougher than 100 microinches AA (2.54 micrometers) a bore sealer should be used to insure that no outside diameter leakage occurs. If oil seals are purchased without O.D. sealant, a thin coating of shellac or gasket cement may be applied to the inside of the bore recess or outside of the seal case.

If such materials are used, however, care must be taken to make certain that none is spilled on the shaft or on the sealing element.

On grease applications, no bore sealer is required.

Mounting the seal

The preceding recommendations apply to plain shafts. Take additional precautions to prevent sharp edges from damaging the sealing lip when mounting a seal on a shaft having keyways or holes. On these shafts, we recommend a mounting thimble, as shown in Figure 4, page 22. The thimble wall should be as thin as possible to avoid undue distortion of the sealing lip during the mounting operation. On very large shafts, where the use of a thimble may be impractical, brass shim stock with smooth edges may be wrapped around the shaft.

An alternate and less desirable method is to fill the keyway or hole with a smooth wooden plug shaped to protrude slightly above the surface of the shaft. In an emergency, and if no

other means is available, the shaft may be wrapped with a heavy, well-lubricated kraft paper to protect the sealing lip from the shaft irregularities.

Seating the seal

A suitable press is recommended for pressing an oil seal into the bore. The press ram or driving tool should not be more than 0.010" (0.25 mm) smaller in O.D. than the bore diameter and should have a flat face to contact the back of the metal case on the seal. If installing the seal in a reverse position, be sure that the ram pressure is applied only to the rollover bead around the outer diameter of the seal and not to the inside face or filler ring inside the metal outer case.

If a press is unavailable or the use of a press is not feasible, the seal may be seated with a driving plug or tool (see Figure 5, page 22). This tool is placed into position and tapped with a mallet. When large seals are being seated, or in an emergency, a block of wood resting squarely on the seal may be used instead of a driving tool. When seating a seal 20" (508 mm) in diameter or larger the best practice is to drive it simultaneously at opposite points on its circumference. **NEVER HIT THE SEAL DIRECTLY!**

A factor in the functioning of a lip seal is the installed squareness of the seal with respect to the normal shaft centerline. Good general practice is to keep this within 0.010" (0.25 mm) TIR. The proper squareness can be obtained by pressing the seal flush with the front of the bore or bottoming it against a shoulder. The surface a seal is aligned with should always be a machined one. Unfinished surfaces should never be used for alignment purposes because of the danger of cocking the seal. Typical installation tools are shown in Figure 6, page 22.

Some applications require the seal to be pressed into a separate cover plate or bearing retaining ring, with the assembly subsequently mounted over the shaft. On this type of installation, care must be exercised to prevent undue distortion of the sealing member by permitting this heavy assembly to hang on the shaft, supported only by the seal. Designing the cover plate or retaining ring with close tolerances over the shaft helps to relieve the weight on the seal.

If the seal is pressed into a bore or housing before the bearing is installed, it is essential to support the heavy shaft to prevent its weight from damaging the sealing element.

WARNING:

Properties/applications shown throughout this brochure are typical. Your specific application should not be undertaken without independent study and evaluation for suitability. For specific application recommendations consult Garlock. Failure to select the proper sealing products could result in property damage and/or serious personal injury.

Performance data published in this brochure has been developed from field testing, customer field reports and/or in house testing.

While the utmost care has been used in compiling this brochure, we assume no responsibility for errors. Specifications subject to change without notice. This edition cancels all previous issues. Subject to change without notice.

Installation Instructions

Figure 4

A - Ram seated on back of seal

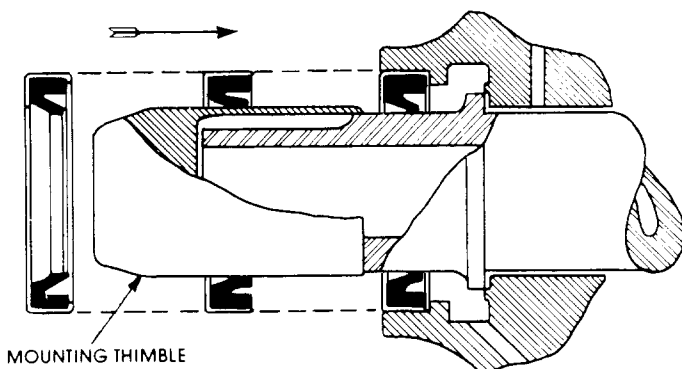
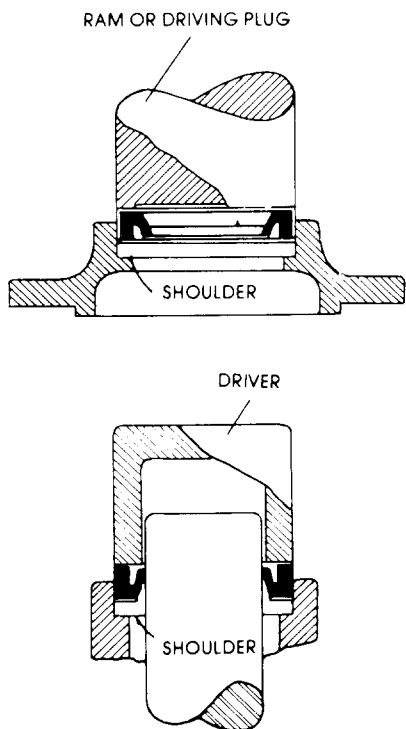


Figure 5

B - Driver seated on roll-over bead of seal



Note: shoulder provides stop and insures mounting seal at right angle to the shaft

WARNING:

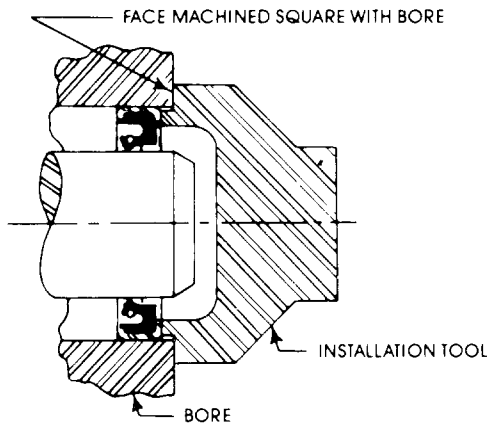
Properties/applications shown throughout this brochure are typical. Your specific application should not be undertaken without independent study and evaluation for suitability. For specific application recommendations consult Garlock. Failure to select the proper sealing products could result in property damage and/or serious personal injury.

Performance data published in this brochure has been developed from field testing, customer field reports and/or in house testing.

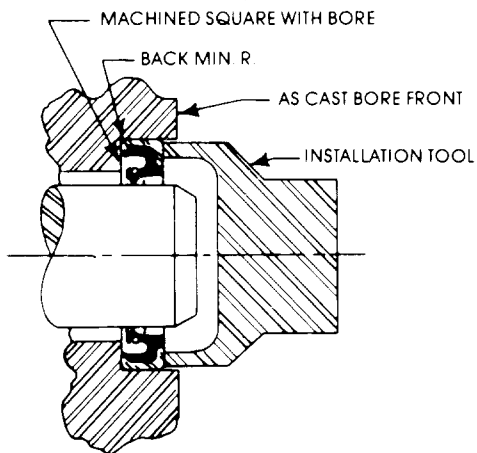
While the utmost care has been used in compiling this brochure, we assume no responsibility for errors. Specifications subject to change without notice. This edition cancels all previous issues. Subject to change without notice.

Figure 6

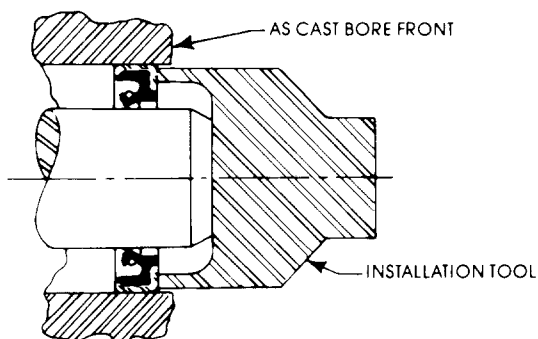
A - Through bore: installation tool bottoms on machined bore face



B - Bottom bore: seal bottoms on machine bore shoulder



C - Through bore: installation tool bottoms on shaft



Garlock Split KLOZURE® Oil Seals Models 21, 23, 24, 25 and 26

The Garlock Split KLOZURE® Oil Seal can be split or cut open on the diameter. The seal is installed by placing it around the shaft instead of sliding the seal over the shaft as is necessary with solid seals of the conventional type.

Split KLOZURE® Oil Seals are used on original equipment applications or maintenance applications to replace a conventional oil seal installation when for any reason the renewal of the original seal becomes necessary.

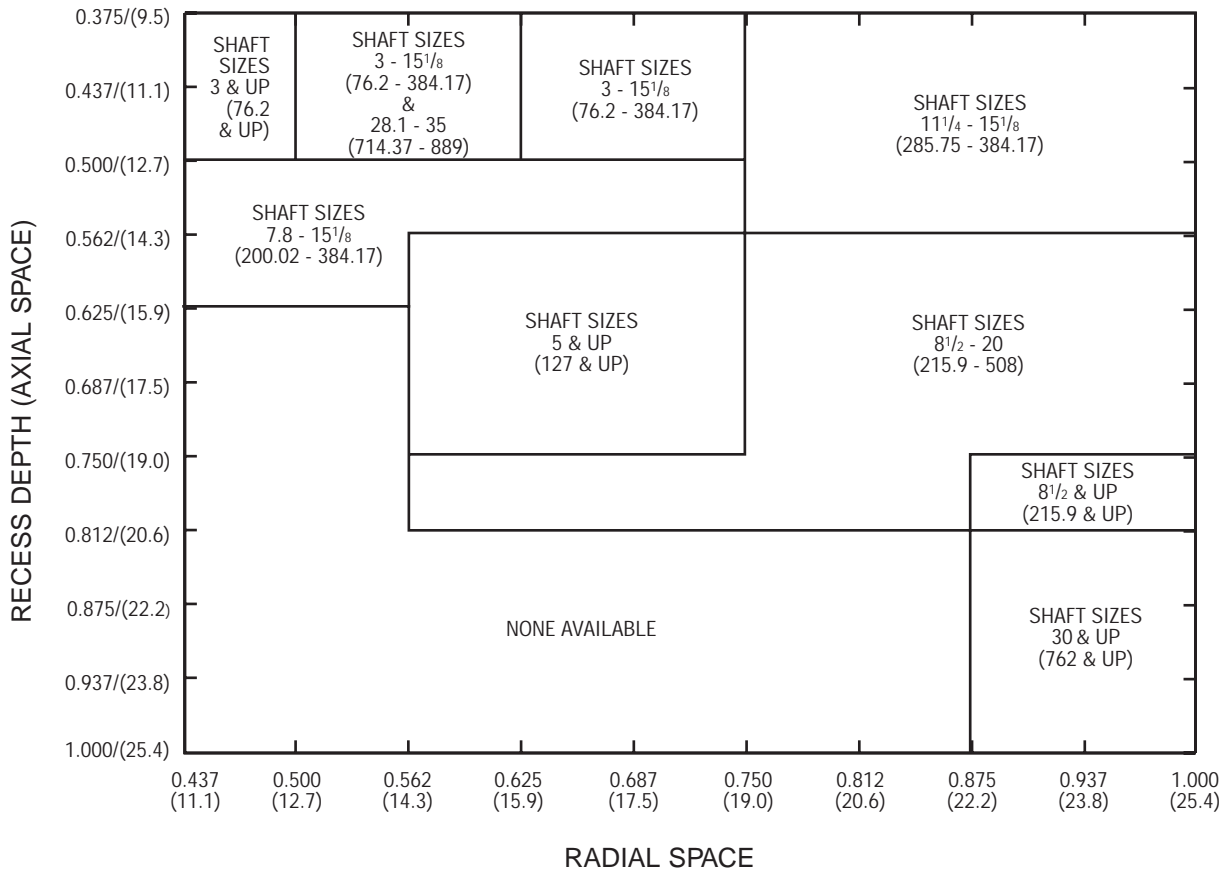
For applications to bearings mounted on shafts carrying couplings, gear, sprockets or flywheels as found on heavy equipment in steel mills, pulp and paper mills and other industries, Split KLOZURE® Oil Seals are particularly suitable as they can be applied without removing or otherwise disturbing those parts.

Contractors' equipment and machines of other types frequently are operated in isolated localities remote from repair and service facilities. On such equipment, the renewal of a conventional oil seal may be an exceedingly difficult, expensive and time-consuming job. A Split KLOZURE® Oil Seal, however, can be installed on the spot easily and quickly by a mechanic or machine operator.

The Split KLOZURE® Oil Seal, because it is not suitable for pressure service, will not work as universally on all applications as the conventional Garlock KLOZURE® Oil Seal. If in doubt as to whether a split or conventional oil seal is more suitable for a specific application, supply your Garlock representative with full details and Garlock will make a recommendation.

Table 6
Model 23 Split KLOZURE® Size Capability

inch/(mm)



Conversion Instructions - Split Seals

When converting equipment from conventional oil seals to Split KLOZURE® Oil Seals, the following instructions should be followed.

1. Obtain shaft diameters, bore diameter and recess depth dimensions of existing seal or equipment (Figure 12, page 25).
2. Check size listing section (Table 6, page 23) to determine availability of a Split KLOZURE® Oil Seal for the equipment dimension.

Non-stock Split KLOZURE® Oil Seal sizes

Sizes other than those shown in the stock listing can be produced, provided the radial and axial dimensions fall within the limits shown in Table 6, page 23.

To determine the radial and axial dimensions of your application, use the following formula:

$$A. \frac{\text{Bore Diameter} - \text{Shaft Diameter}}{2} = \begin{matrix} \text{Radial} \\ \text{(Packing)} \\ \text{Space} \end{matrix}$$

$$B. \text{Bore Housing Recess Depth} = \text{Axial Space}$$

Example:

Bore Diameter = 11.875" (301.63 mm)

Shaft Diameter = 10.250" (260.35 mm)

Recess (Packing) Depth = 0.750" (19.05 mm)

(Bore Diameter - Shaft Diameter)

$$\frac{11.875" - 10.250"}{2} = \begin{matrix} 0.812" \\ \text{Radial Space} \end{matrix} \quad \begin{matrix} (301.63 \text{ mm}) \\ (260.35 \text{ mm}) \end{matrix}$$

(Recess Depth) 0.750" (19.05 mm) = Axial space

Using Table 6, locate 0.812" (20.62 mm) Radial Space. Move up until the Axial Space of 0.750" (19.05 mm) has been located. Note that this point falls in a box showing shaft size 8-1/2" (215 mm) to 20" (508 mm). Our shaft size in the example is 10.250" (260.35 mm), which falls within the shaft sizes of 8-1/2" (215 mm) to 20" (508 mm), therefore this seal can be produced.

NOTE: In some cases, the radial and axial dimensions fall on lines separating segments of the table. When this occurs, shaft size parameters on either side of the line will apply.

Metric Sizes:

Split KLOZURE® Oil Seals are also available in standard metric dimensions. Price and delivery available on request.

3. Check the equipment operating conditions for shaft speed, runout, temperatures, etc. to verify that they are compatible with a Split KLOZURE® Oil Seal.
4. Proceed with the equipment alterations if necessary to provide space for the Split KLOZURE® Oil Seal selected. The cover plate should also be fabricated.

5. Purchase the Split KLOZURE® Oil Seal required and install as outlined.

Manufacturers of original equipment can supply equipment incorporating a conventional seal but with the ability to convert to a split seal in the field. The following suggestions are of assistance.

- a. Design into the equipment a conventional oil seal with the same shaft, bore and width dimensions as a stock Split KLOZURE® Oil Seal.
- b. Supply the equipment with the cover plate required for the Split KLOZURE® Oil Seal. The end user then can make the conversion from a conventional oil seal to a split seal without any modifications to the equipment.
- c. Maintenance manuals should include information covering the replacement of the conventional seal with a Split KLOZURE® Oil Seal and should list the Split KLOZURE® Oil Seal model number and show installation instructions.

The retaining cover plate, which is made in either a solid ring, two halves, or segments to fit around shafts and bolts or screws, is supplied by the customer and only through special arrangements by Garlock. Such metal parts must be made to meet the requirements of each individual installation.

The shaft, bore and recess depth tolerances shown in Tables 3, 4 (page 15) and 7 (this page) are for the guidance of the designer. When designing equipment on which these seals are to be used, these tolerances should be adhered to. When molding Split KLOZURE® Oil Seals, proper allowance in the radial width of the element is made to insure an interference fit with the shaft. The seal is also made slightly thicker than the recess depth so that when the cover plate is applied, the seal is compressed, preventing leakage and clamping the seal so it cannot rotate with the shaft.

Table 7
Split KLOZURE® Oil Seal Recess Depth Tolerance

Recess Depth		Recommended Tolerance*	
Inch	mm	Inch	mm
Up thru 0.625	Up thru 15.88	±0.002	±0.05
0.626 & Up	15.89 & Up	±0.004	±0.10

*Single seals only. Where application involves two seals, tolerance is to be +0.010"-0.000" (+0.25-0.0 mm).

WARNING:

Properties/applications shown throughout this brochure are typical. Your specific application should not be undertaken without independent study and evaluation for suitability. For specific application recommendations consult Garlock. Failure to select the proper sealing products could result in property damage and/or serious personal injury.

Performance data published in this brochure has been developed from field testing, customer field reports and/or in house testing.

While the utmost care has been used in compiling this brochure, we assume no responsibility for errors. Specifications subject to change without notice. This edition cancels all previous issues. Subject to change without notice.

Installation Instructions for GARLOCK Split KLOZURE® Oil Seals

A Split KLOZURE® Oil Seal should be installed with the split at the top of horizontal mounted shafts. To insure proper application and to prevent damage to the sealing lip of the Split KLOZURE® Oil Seal, the installation should be accomplished as follows:

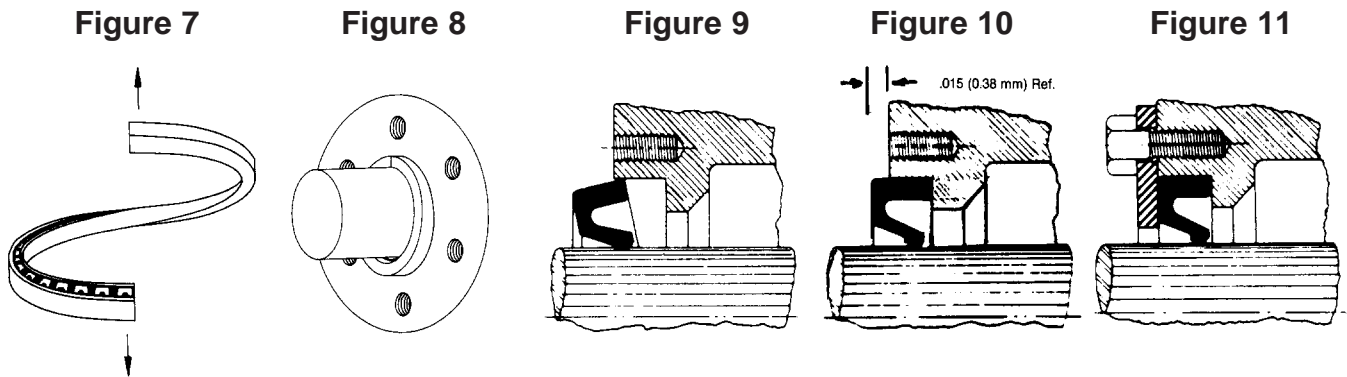
1. See that the recess is thoroughly cleaned and that all burrs and sharp cutting edges are removed.
2. Apply grease or oil to the shaft.
3. Open Split KLOZURE® Oil Seal joint sideways (as shown in Figure 7) and place it around the shaft at a point near the recess into which the seal is to be installed.
4. Start the sealing element into the recess at the top of the housing by lining up the sealing lip on both sides of the joint as shown in Figure 8. Compress the leading edge of the Split KLOZURE® Oil Seal to enter the housing as shown in Figure 9.
5. Continue this process around the entire periphery of the shaft until the sealing element is inserted in the recess.
6. Seat the seal in the recess as indicated in Figure 10 by tapping the seal lightly with a mallet on a block of wood, using

care to prevent damage to the seal lip. Once seal is seated, approximately 0.015" (0.38 mm) should be protruding from the bore cavity allowing compression of seal as described in paragraph 7.

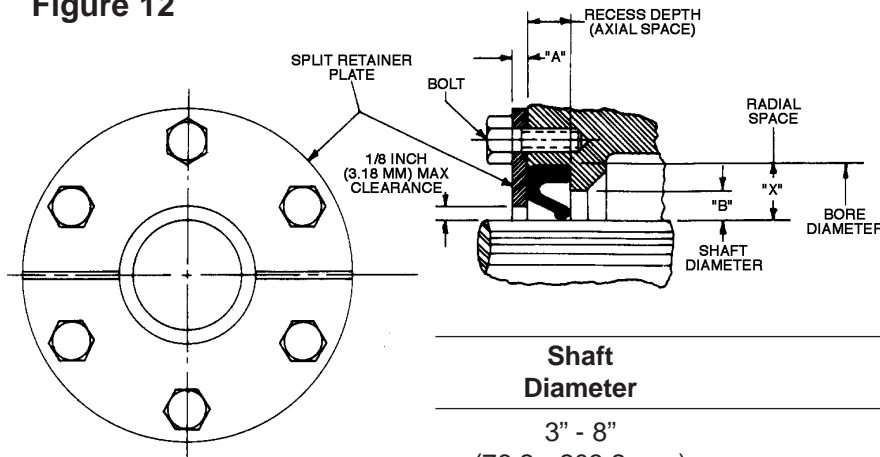
7. Bolt the cover plate tightly into position to compress the Split KLOZURE® Oil Seal in the recess as shown in Figure 11. Cover plate should be sufficiently heavy to compress the sealing element firmly in recess. Screws or bolts should be as near as possible to the recess bore to prevent cover plate from dishing. Model 26 seals do not require a cover plate.

8. When the Split KLOZURE® Oil Seal replaces the conventional seal, the equipment recess depth may be greater than the thickness of the Split KLOZURE® Oil Seal, thus requiring a filler. Filler gaskets or a split metal washer may be used for this purpose.

9. When a Split KLOZURE® Oil Seal is installed at the end of a plain or sleeve bearing, a drain or vent should enter the space between the seal and the bearing to prevent pressure building up at this point.



Standard Split-KLOZURE® Oil Seal Installation Figure 12



$$"B" = 0.28 "X" \text{ Minimum, } 0.5 "X" \text{ Maximum}$$

$$"X" = \frac{\text{Bore Dia.} - \text{Shaft Dia.}}{2}$$

Shaft Diameter	No. of Bolts*	"A" Minimum Plate Thickness
3" - 8" (76.2 - 203.2 mm)	6	1/8" (3.18 mm)
over 8" (over 203.2 mm)	Bolts on a max. of 6" (152.4 mm) chord, spacing centered about split in end plate	1/4" (6.35 mm)

*Figures shown are for a guide only. Good machine design practices should be followed.

Troubleshooting

This chart indicates possible sources of seal trouble on general applications. Special installations may require a more complete analysis. If advice or assistance is needed, please contact the nearest Garlock office.

Check for	Possible sources of trouble	Suggested remedy
1. Nicks, cuts or tears in sealing lip	Rough finish on shaft	Finish shaft surface from 10 - 20 microinches. AA (0.25 - 0.50 micrometers). Remove all burrs. See "Preparation of Shaft" page 20.
	Improper installation	Use mounting tool to carry sealing lip over keyways, splines and sharp shoulders. See "Mounting the Seal" page 21.
	Rough handling	Check methods of storing and handling. Seals deserve the same care as the bearings they protect.
2. Excessive wear or hardening of sealing element	Rough finish on shaft	Finish shaft surface from 10 - 20 microinches. AA (0.25 - 0.50 micrometers). See "Preparation of Shaft" page 20.
	Tight fit on shaft	Check service recommendations in catalog to see if correct KLOZURE® Oil Seal model is being used. Check sizes.
	No lubrication	Be sure adequate lubrication is present.
	Overheating	Check size of seal. Check shaft fpm speed with catalog recommendations for model KLOZURE® Oil Seal being used. Check ambient temperatures. Be sure of proper lubrication.
3. Damaged spring	Pressure	Eliminate pressure by vents or drainbacks. Be sure vents are open. Drainbacks should be provided around bearings or away from helical gearing to prevent pressure buildup at seal face.
	Improper installation	Avoid excessive spreading of sealing lip and spring. See "Mounting the Seal" page 21.
4. Damaged case	Rough handling	Check methods of storing and handling.
	Improper driving tools	Use proper tools of correct dimensions. See "Seating the Seal" page 21.
5. Excessive shaft wear	Abrasives	Be sure shaft is clean and that a slight amount of lubricant is applied when installing KLOZURE® Oil Seal.
	Soft Shaft	Use shaft material of Rockwell C 30 minimum hardness.

Check for	Possible sources of trouble	Suggested remedy
6. Scores in O.D. of seal	Coarse machining	Give better finish to housing bore. Check for imperfect casting.
	Sharp corners on housing bore	Chamfer housing bore.
	Bore undersize	Check housing bore diameter. See "Tolerances" page 15.
7. Excessive leakage	Light fit on shaft	Check size diameter. See "Tolerances" page 15.
	Abnormal spreading of sealing element	Check service recommendations in catalog to see if correct KLOZURE® Oil Seal is being used. Use mounting tools with thin wall. See "Mounting the Seal" page 21.
	Excessive use of pre-installation lubricant	Do not apply over shaft shoulder more than 1/32" (0.80 mm) larger than shaft diameter. Use only slight amount of lubricant to apply and start seals.
	Presence of lead, helix or spiral from grinding in a direction causing an outward pumping action	Polish shaft with crocus cloth. If possible, alter grinding technique to reduce, eliminate or reverse direction of spirals.
	Cocked seals	Install seal at right angle to shaft surface. Use proper driving tool. Properly prepare housing bore. See "Installation Instructions" page 20.
	Nicks, cuts or tears in sealing lip	See trouble tip number 1.
	Damaged spring	See trouble tip number 3.
Dynamic runout	Damaged case	See trouble tip number 4.
	Paint on shaft at back of seal	Move seal closer to bearing. Be sure wear sleeves, hubs or retaining rings are accurately machined concentrically. Avoid looseness in splines. Provide suitable masks so that paint will not solidify under sealing element, forcing sealing lip away from shaft.

Typical KLOZURE® Oil Seal Configurations

 3	 21	 23	 24	 25	 26
 26-R1	 53	 53-F1	 53-R1	 53-R2	 53-T2
 54	 57	 58	 59	 61	 62
 63	 63-F1	 63-R1	 63-R2	 63-T2	 63-TB
 64	 66	 67	 68	 71	 76
 87	 88	 91	 92	 94	 111
 113	 123	 142	 145	 ISO-GARD®	 VERTICAL ISO-GARD®
 ISO-GARD® GP	 FLANGELESS ISO-GARD®	 ISO-GARD® SPLIT PILLOW BLOCK	 FLANGED EQUALIZER®	 SPLIT PILLOW BLOCK EQUALIZER®	 FLANGELESS EQUALIZER®

WARNING:

Properties/applications shown throughout this brochure are typical. Your specific application should not be undertaken without independent study and evaluation for suitability. For specific application recommendations consult Garlock. Failure to select the proper sealing products could result in property damage and/or serious personal injury.

Performance data published in this brochure has been developed from field testing, customer field reports and/or in house testing.

While the utmost care has been used in compiling this brochure, we assume no responsibility for errors. Specifications subject to change without notice. This edition cancels all previous issues. Subject to change without notice.

Model Number to Part Number Conversion

Garlock

MODEL NO.	PREFIX	MODEL NO.	PREFIX
3	28003	68	21823
21	25001	68R2	23727
23	25003	71	26001
24	25005	76	26193
25	25058		
		87	26080
26	24600	88	26088
26R1	24620	88NS	26188
53	21086	91	27023
53F1	22987	92	27063
53R1	22537		
		94	27223
53R2	22627	111	21011
53T2	22897	113	21012
53TB	22807	123	21016
53TF	22994	142	21432
54	21140		
		145A1	21700
58	21003	145A2	21750
59	24700	EQ	24801
61	24060	EQ	24802
61 FDA	24061	EQ	24807
61 DBL TANDEM	24062		
		EQSPB	24816
61 DBL OPPOSED	24063	IG	29500
61 REVERSE LIP	24064	IG	29502
62	21702	IG	29507
63	21158	IG	29519
63F1	23078		
		IGSPB	29516
63R1	23547		
63R2	23548		
63T2	23550		
63TB	23549		
63TF	23735		
64	21238		
66	21527		
66F1	23692		
66R1	23722		
66R2	23702		
66T2	23728		
66TF	23763		
67	21528		
67R2	23683		
67T2	23621		

Garlock

Oil Seals by Model Number

MODEL NO	PART NO	SHAFT	BORE	WIDTH	MODEL NO	PART NO	SHAFT	BORE	WIDTH
3	28003-0060	0.500	0.999	0.250	3	28003-3104	3.125	4.125	0.375
3	28003-0072	0.500	1.124	0.250	3	28003-3221	3.250	4.249	0.375
3	28003-0081	0.500	1.250	0.250	3	28003-3254	3.250	4.500	0.375
3	28003-0201	0.625	1.124	0.250	3	28003-3460	3.500	4.376	0.375
3	28003-0213	0.625	1.250	0.250	3	28003-3478	3.500	4.500	0.375
3	28003-0225	0.625	1.375	0.250	3	28003-3568	3.625	4.626	0.375
3	28003-0427	0.750	1.250	0.250	3	28003-3721	3.875	4.876	0.375
3	28003-0446	0.750	1.375	0.250	3	28003-4010	4.000	4.999	0.375
3	28003-0458	0.750	1.499	0.250	3	28003-4255	4.250	5.251	0.375
3	28003-0488	0.750	1.624	0.250	3	28003-4455	4.500	5.501	0.375
3	28003-0678	0.875	1.375	0.250	3	28003-5680	5.500	6.750	0.437
3	28003-0687	0.875	1.499	0.250	21	25001-1380	4.500	6.500	0.500
3	28003-0715	0.875	1.624	0.250	21	25001-2087	18.437	20.500	0.812
3	28003-1004	1.000	1.499	0.250	21	25001-2663	4.250	5.500	0.500
3	28003-1020	1.000	1.624	0.250	21	25001-2813	4.625	6.250	0.500
3	28003-1028	1.000	1.752	0.250	21	25001-2915	5.000	6.000	0.500
3	28003-1113	1.125	1.624	0.250	21	25001-3023	5.125	7.500	0.500
3	28003-1128	1.125	1.874	0.250	21	25001-3056	5.187	7.500	0.500
3	28003-1224	1.250	1.752	0.250	21	25001-3111	17.717	19.685	0.811
3	28003-1232	1.250	1.874	0.250	21	25001-3122	5.375	6.375	0.500
3	28003-1246	1.250	2.000	0.250	21	25001-3151	5.375	7.500	0.625
3	28003-1262	1.250	2.125	0.250	21	25001-3174	5.437	7.500	0.500
3	28003-1348	1.375	2.000	0.312	21	25001-3254	24.000	25.000	0.500
3	28003-1360	1.375	2.125	0.312	21	25001-3288	5.750	7.500	0.562
3	28003-1368	1.375	2.250	0.312	21	25001-3334	5.875	7.500	0.750
3	28003-1378	1.375	2.374	0.312	21	25001-3355	6.000	7.000	0.500
3	28003-1454	1.500	2.125	0.312	21	25001-3370	6.000	7.500	0.750
3	28003-1462	1.500	2.250	0.312	21	25001-3468	6.750	8.500	0.625
3	28003-1472	1.500	2.374	0.312	21	25001-3523	7.250	8.500	0.750
3	28003-1492	1.500	2.502	0.312	21	25001-3555	7.500	9.125	0.750
3	28003-1576	1.625	2.374	0.312	21	25001-3557	7.500	9.250	0.750
3	28003-1590	1.625	2.502	0.312	21	25001-3606	8.250	9.500	0.625
3	28003-1598	1.625	2.623	0.312	21	25001-3623	9.000	11.000	0.750
3	28003-1704	1.750	2.502	0.312	21	25001-3642	9.500	11.000	0.625
3	28003-1714	1.750	2.623	0.312	21	25001-3672	10.000	11.500	0.750
3	28003-1726	1.750	2.750	0.312	21	25001-3925	8.000	10.000	0.750
3	28003-1802	1.875	2.623	0.312	21	25001-3926	8.000	10.000	0.812
3	28003-1814	1.875	2.750	0.312	21	25001-3932	8.125	10.125	0.750
3	28003-1826	1.875	2.875	0.312	21	25001-3937	8.500	10.000	0.750
3	28003-2023	2.000	2.750	0.312	21	25001-3943	8.625	10.500	0.750
3	28003-2035	2.000	2.875	0.312	21	25001-3951	8.750	10.750	0.750
3	28003-2171	2.125	2.875	0.375	21	25001-3979	9.500	11.000	0.750
3	28003-2186	2.125	3.000	0.375	21	25001-3983	9.500	11.500	0.750
3	28003-2303	2.250	3.000	0.375	21	25001-3984	9.500	11.500	0.812
3	28003-2317	2.250	3.125	0.375	21	25001-3989	9.750	11.750	0.750
3	28003-2329	2.250	3.251	0.375	21	25001-4012	10.500	12.000	0.750
3	28003-2536	2.500	3.251	0.375	21	25001-4047	11.250	13.250	0.812
3	28003-2683	2.750	3.500	0.375	21	25001-4058	11.500	13.000	0.750
3	28003-2710	2.750	3.751	0.375	21	25001-4072	12.000	14.000	0.812
3	28003-2719	2.750	3.875	0.375	21	25001-4094	13.000	14.500	0.750
3	28003-2782	2.875	3.751	0.375	21	25001-4099	13.000	15.000	0.812
3	28003-2791	2.875	3.875	0.375	21	25001-4128	13.500	15.500	0.812

All dimensions are in inches. Preferred sizes are indicated with **bold** type face.
 Sizes listed are for standard nitrile elements, except Models 25 and 62 which have PTFE elements. Other material available on inquiry only.

Oil Seals by Model Number

Garlock

MODEL NO	PART NO	SHAFT	BORE	WIDTH	MODEL NO	PART NO	SHAFT	BORE	WIDTH
21	25001-4130	13.937	15.437	0.687	21	25001-6383	8.500	9.500	0.500
21	25001-4132	14.000	15.500	0.750	21	25001-6384	8.500	9.750	0.625
21	25001-4135	14.000	16.000	0.812	21	25001-6387	9.000	10.000	0.500
21	25001-4140	14.250	16.250	0.812	21	25001-6389	9.625	11.625	0.750
21	25001-4143	14.500	16.000	0.750	21	25001-6396	12.750	14.750	0.750
21	25001-4147	14.750	16.250	0.687	21	25001-6397	16.250	18.250	0.812
21	25001-4152	15.000	16.500	0.750	21	25001-6398	16.750	18.750	0.750
21	25001-4155	15.000	17.000	0.750	21	25001-6399	18.000	20.000	0.812
21	25001-4156	15.000	17.000	0.812	21	25001-6401	22.000	24.000	0.812
21	25001-4162	15.500	17.000	0.750	21	25001-6407	42.000	44.000	0.812
21	25001-4163	15.500	17.500	0.812	21	25001-6426	19.750	21.750	0.812
21	25001-4178	16.000	17.500	0.750	21	25001-6473	38.500	40.500	0.812
21	25001-4180	16.000	18.000	0.812	21	25001-6508	19.000	21.000	0.812
21	25001-4189	17.000	18.500	0.750	21	25001-6559	3.500	4.390	0.336
21	25001-4207	18.000	19.750	0.750	21	25001-6938	18.000	19.625	0.812
21	25001-4211	18.250	19.750	0.750	21	25001-6963	5.625	8.000	0.500
21	25001-4212	18.250	19.875	0.750	21	25001-6973	7.874	9.875	0.625
21	25001-4441	12.063	13.625	0.750	21	25001-7101	8.500	10.500	0.750
21	25001-4614	14.187	16.187	0.812	21	25001-7107	29.133	31.133	0.812
21	25001-4633	6.299	7.874	0.630	21	25001-7138	34.000	36.000	0.812
21	25001-4651	4.000	5.000	0.500	21	25001-7154	33.250	35.250	0.750
21	25001-4675	24.500	25.625	0.500	21	25001-7175	13.750	14.750	0.500
21	25001-4676	25.750	26.875	0.500	21	25001-7213	3.125	3.875	0.375
21	25001-4712	17.000	19.000	0.875	21	25001-7322	9.062	10.062	0.500
21	25001-4779	13.250	15.250	0.812	21	25001-7407	21.500	23.500	0.812
21	25001-4780	6.000	8.250	0.750	21	25001-7412	31.000	33.000	0.812
21	25001-4795	15.875	17.750	0.875	21	25001-7413	18.000	19.750	0.812
21	25001-4929	9.000	10.500	0.812	21	25001-7489	22.500	24.500	0.812
21	25001-4940	21.000	22.000	0.500	21	25001-7539	15.250	17.250	0.750
21	25001-4971	17.000	18.125	0.547	21	25001-7573	14.250	16.000	0.875
21	25001-5023	3.000	4.000	0.375	21	25001-7622	6.750	9.062	0.750
21	25001-5038	16.500	18.500	0.875	21	25001-7710	26.000	28.000	0.750
21	25001-5055	20.500	22.500	0.812	21	25001-7838	23.000	25.000	0.812
21	25001-5062	14.250	15.750	0.750	21	25001-7912	7.725	9.375	0.750
21	25001-5312	21.000	22.750	0.750	21	25001-8208	22.000	23.125	0.547
21	25001-5373	8.267	9.842	0.618	21	25001-8271	14.875	16.875	0.812
21	25001-5376	38.750	40.687	0.812	21	25001-8381	21.937	22.937	0.500
21	25001-5410	6.500	8.500	0.585	21	25001-8423	17.000	18.250	0.562
21	25001-5552	24.000	25.125	0.500	21	25001-8446	19.500	21.500	0.812
21	25001-5612	28.875	29.750	0.500	21	25001-8502	24.000	25.625	0.812
21	25001-5739	31.000	32.500	0.750	21	25001-8560	8.500	10.500	0.500
21	25001-5906	10.000	12.000	0.687	21	25001-8564	9.000	10.910	0.838
21	25001-5919	24.000	26.000	0.812	21	25001-8589	12.500	14.062	0.750
21	25001-5934	10.500	11.750	0.625	21	25001-8606	8.661	10.236	0.630
21	25001-6092	9.062	11.062	0.750	21	25001-8742	10.000	11.910	0.838
21	25001-6293	4.250	5.750	0.500	21	25001-8773	25.625	26.750	0.500
21	25001-6296	22.000	23.500	0.500	21	25001-8888	14.750	16.125	0.687
21	25001-6356	3.250	4.250	0.375	21	25001-8967	8.250	10.250	0.750
21	25001-6360	4.000	5.000	0.375	21	25001-9083	18.000	20.250	0.812
21	25001-6363	4.500	5.500	0.375	21	25001-9156	31.750	33.750	0.750
21	25001-6372	6.750	7.750	0.500	21	25001-9267	8.375	10.375	0.750
21	25001-6378	7.500	8.500	0.500	21	25001-9418	8.000	9.875	0.812

All dimensions are in inches. Preferred sizes are indicated with **bold** type face.

Sizes listed are for standard nitrile elements, except Models 25 and 62 which have PTFE elements. Other material available on inquiry only.

Garlock

Oil Seals by Model Number

MODEL NO	PART NO	SHAFT	BORE	WIDTH	MODEL NO	PART NO	SHAFT	BORE	WIDTH
21	25001-9477	18.750	20.250	0.812	23	25003-0587	4.330	5.393	0.500
21	25001-9521	8.267	9.842	0.630	23	25003-0590	12.992	14.173	0.394
21	25001-9554	37.500	39.500	0.812	23	25003-0591	13.780	14.961	0.394
21	25001-9696	14.750	16.250	0.668	23	25003-0599	12.250	13.500	0.750
21	25001-9756	8.000	9.910	0.750	23	25003-0606	21.890	23.858	0.812
21	25001-9835	7.875	9.500	0.750	23	25003-0614	14.961	16.535	0.787
21	25001-9893	20.625	22.625	0.812	23	25003-0617	12.750	14.687	0.812
23	25003-0128	2.857	3.857	0.375	23	25003-0620	17.323	19.323	0.750
23	25003-0202	4.062	5.256	0.469	23	25003-0623	12.000	13.875	0.437
23	25003-0203	12.938	14.250	0.625	23	25003-0626	24.625	25.500	0.375
23	25003-0205	10.688	11.742	0.625	23	25003-0627	5.437	6.375	0.500
23	25003-0208	30.688	31.750	0.500	23	25003-0637	6.693	7.677	0.492
23	25003-0241	14.177	15.500	0.750	23	25003-0639	18.898	20.867	0.812
23	25003-0375	32.125	34.687	0.750	23	25003-0641	10.375	12.000	0.750
23	25003-0408	4.449	5.472	0.375	23	25003-0662	15.000	16.250	0.812
23	25003-0416	11.418	12.992	0.709	23	25003-0663	25.625	27.625	0.812
23	25003-0417	52.500	55.000	0.750	23	25003-0671	25.750	28.125	0.750
23	25003-0419	5.060	5.934	0.375	23	25003-0674	5.515	6.497	0.500
23	25003-0420	11.250	13.250	0.625	23	25003-0676	22.000	23.125	0.500
23	25003-0422	3.847	5.063	0.375	23	25003-0677	12.318	13.694	0.500
23	25003-0429	21.811	23.386	0.787	23	25003-0678	11.150	12.526	0.500
23	25003-0432	15.500	17.375	0.812	23	25003-0688	4.562	6.062	0.500
23	25003-0450	15.375	16.750	0.750	23	25003-0690	13.875	15.500	0.600
23	25003-0453	13.750	15.000	0.750	23	25003-0691	12.188	14.000	0.750
23	25003-0455	26.000	27.500	0.750	23	25003-0692	3.625	4.750	0.375
23	25003-0458	28.486	29.860	0.687	23	25003-0695	10.158	11.417	0.630
23	25003-0459	52.186	54.186	0.812	23	25003-0696	25.875	26.750	0.375
23	25003-0460	44.185	46.188	0.812	23	25003-0697	11.813	13.813	0.813
23	25003-0464	23.512	25.512	0.812	23	25003-0710	2.559	3.346	0.394
23	25003-0466	9.125	10.799	0.703	23	25003-0716	17.938	19.313	0.812
23	25003-0476	9.409	10.909	0.625	23	25003-0720	75.188	77.188	0.812
23	25003-0477	17.750	19.373	0.750	23	25003-0726	13.625	15.031	0.750
23	25003-0479	16.094	17.500	0.750	23	25003-0736	4.312	5.437	0.500
23	25003-0480	14.094	15.500	0.750	23	25003-0738	5.437	6.500	0.500
23	25003-0483	21.250	22.637	0.590	23	25003-0740	11.181	12.992	0.622
23	25003-0489	13.250	14.250	0.500	23	25003-0741	5.937	6.875	0.500
23	25003-0500	5.523	6.500	0.500	23	25003-0743	5.500	6.563	0.500
23	25003-0501	30.500	32.500	1.000	23	25003-0746	8.465	9.845	0.645
23	25003-0503	3.907	5.118	0.500	23	25003-0753	19.625	21.079	0.531
23	25003-0504	7.480	8.661	0.472	23	25003-0755	26.875	28.125	0.500
23	25003-0506	22.625	24.125	0.500	23	25003-0756	14.625	16.250	0.750
23	25003-0510	17.717	18.898	0.500	23	25003-0779	30.065	31.065	0.500
23	25003-0518	18.110	19.843	0.787	23	25003-0785	14.438	15.938	0.625
23	25003-0519	5.748	7.087	0.591	23	25003-0786	28.346	30.315	0.984
23	25003-0521	3.187	4.437	0.375	23	25003-0793	2.441	3.346	0.394
23	25003-0527	6.250	7.250	0.375	23	25003-0795	6.495	7.525	0.500
23	25003-0528	9.437	10.750	0.625	23	25003-0800	15.784	17.000	0.500
23	25003-0530	6.000	7.000	0.375	23	25003-0801	7.283	8.268	0.500
23	25003-0570	8.560	9.810	0.625	23	25003-0802	3.750	5.000	0.437
23	25003-0579	9.000	10.032	0.500	23	25003-0803	6.002	7.002	0.500
23	25003-0581	5.098	6.598	0.500	23	25003-0806	2.812	3.560	0.375
23	25003-0582	23.428	24.928	0.750	23	25003-0811	3.938	4.921	0.394

All dimensions are in inches. Preferred sizes are indicated with **bold** type face. Sizes listed are for standard nitrile elements, except Models 25 and 62 which have PTFE elements. Other material available on inquiry only.

Oil Seals by Model Number

Garlock

MODEL NO	PART NO	SHAFT	BORE	WIDTH	MODEL NO	PART NO	SHAFT	BORE	WIDTH
23	25003-0815	5.118	5.993	0.500	23	25003-0996	3.437	4.500	0.375
23	25003-0818	13.000	14.500	0.812	23	25003-0999	8.438	9.563	0.500
23	25003-0821	10.229	11.729	0.750	23	25003-1000	3.938	5.040	0.400
23	25003-0822	24.500	25.375	0.375	23	25003-1002	5.118	6.260	0.488
23	25003-0823	3.438	4.562	0.375	23	25003-1004	6.221	7.250	0.500
23	25003-0839	20.750	22.250	0.750	23	25003-1007	4.866	5.875	0.500
23	25003-0856	7.090	8.334	0.500	23	25003-1010	3.740	4.921	0.472
23	25003-0858	11.100	12.150	0.625	23	25003-1013	15.375	17.125	0.812
23	25003-0864	24.409	26.378	0.812	23	25003-1014	8.661	9.370	0.748
23	25003-0866	4.134	5.512	0.472	23	25003-1016	12.812	14.812	0.750
23	25003-0872	10.236	12.205	0.630	23	25003-1017	7.000	7.875	0.375
23	25003-0880	36.500	38.438	1.000	23	25003-1018	14.500	15.750	0.750
23	25003-0881	39.000	40.938	1.000	23	25003-1019	9.000	10.062	0.500
23	25003-0884	32.000	33.000	0.500	23	25003-1020	4.477	6.256	0.625
23	25003-0889	15.191	16.191	0.500	23	25003-1022	3.625	4.625	0.437
23	25003-0890	11.024	12.205	0.787	23	25003-1024	4.724	6.000	0.500
23	25003-0891	8.661	10.236	0.591	23	25003-1025	4.960	5.885	0.500
23	25003-0893	13.386	14.961	0.708	23	25003-1026	10.236	12.000	0.812
23	25003-0895	2.938	4.000	0.500	23	25003-1027	10.630	12.362	0.787
23	25003-0896	28.250	29.500	0.625	23	25003-1029	3.563	4.500	0.469
23	25003-0897	11.024	12.992	0.610	23	25003-1030	10.000	10.875	0.375
23	25003-0904	1.750	2.500	0.375	23	25003-1031	11.417	12.992	0.787
23	25003-0917	2.937	4.000	0.500	23	25003-1032	16.000	17.875	0.750
23	25003-0926	5.115	6.118	0.375	23	25003-1033	3.150	3.937	0.394
23	25003-0929	4.279	5.500	0.375	23	25003-1034	3.500	4.812	0.500
23	25003-0932	11.417	13.417	0.812	23	25003-1035	11.500	13.250	0.812
23	25003-0935	20.470	22.470	0.812	23	25003-1036	9.449	10.827	0.709
23	25003-0944	13.375	14.625	0.500	23	25003-1037	10.300	11.550	0.625
23	25003-0947	11.811	13.385	0.812	23	25003-1038	19.750	21.250	0.750
23	25003-0948	49.500	50.750	0.750	23	25003-1039	2.835	3.740	0.375
23	25003-0949	12.000	13.875	0.500	23	25003-1041	3.720	4.720	0.500
23	25003-0950	12.250	13.821	0.719	23	25003-1042	1.875	2.625	0.375
23	25003-0952	74.500	76.500	0.812	23	25003-1049	10.710	12.511	0.625
23	25003-0953	7.375	8.250	0.438	23	25003-1061	7.937	9.000	0.500
23	25003-0954	12.000	13.250	0.750	23	25003-1064	9.947	11.875	0.500
23	25003-0956	5.118	6.614	0.630	23	25003-1070	10.250	11.687	0.625
23	25003-0957	8.611	10.236	0.750	23	25003-1072	9.750	10.625	0.500
23	25003-0959	26.000	27.250	0.625	23	25003-1079	9.947	10.875	0.500
23	25003-0960	8.750	10.750	0.625	23	25003-1082	8.750	10.500	0.812
23	25003-0961	8.465	9.764	0.590	23	25003-1086	2.750	3.983	0.500
23	25003-0963	14.173	15.590	0.630	23	25003-1087	3.430	4.625	0.458
23	25003-0977	4.331	5.331	0.500	23	25003-1089	5.415	6.815	0.500
23	25003-0980	7.716	8.661	0.472	23	25003-1090	8.562	9.500	0.500
23	25003-0981	9.375	10.375	0.500	23	25003-1091	66.875	68.000	0.562
23	25003-0983	7.000	8.450	0.562	23	25003-1095	8.625	9.812	0.625
23	25003-0985	9.000	10.125	0.500	23	25003-1097	9.448	11.023	0.500
23	25003-0986	13.500	14.500	0.500	23	25003-1098	25.000	26.250	0.625
23	25003-0990	12.147	13.688	0.625	23	25003-1099	9.843	11.220	0.630
23	25003-0992	4.295	5.295	0.375	23	25003-1103	12.598	14.173	0.787
23	25003-0993	2.883	3.633	0.375	23	25003-1107	7.875	9.500	0.625
23	25003-0994	13.070	14.570	0.750	23	25003-1108	12.401	14.173	0.787
23	25003-0995	4.375	5.812	0.500	23	25003-1109	9.055	10.180	0.625

All dimensions are in inches. Preferred sizes are indicated with **bold** type face.
 Sizes listed are for standard nitrile elements, except Models 25 and 62 which have PTFE elements. Other material available on inquiry only.

Garlock

Oil Seals by Model Number

MODEL NO	PART NO	SHAFT	BORE	WIDTH	MODEL NO	PART NO	SHAFT	BORE	WIDTH
23	25003-1110	3.740	4.740	0.375	23	25003-1290	7.480	8.425	0.472
23	25003-1111	5.905	7.087	0.512	23	25003-1292	10.236	12.125	0.787
23	25003-1112	24.015	25.748	0.787	23	25003-1293	15.375	16.250	0.437
23	25003-1113	12.598	14.173	0.708	23	25003-1294	23.900	25.100	0.750
23	25003-1115	18.125	19.750	0.750	23	25003-1295	8.062	9.000	0.500
23	25003-1118	48.000	50.000	0.750	23	25003-1296	3.500	4.437	0.500
23	25003-1121	51.000	53.000	0.750	23	25003-1298	19.291	21.260	0.787
23	25003-1124	11.125	13.000	0.750	23	25003-1300	6.030	7.324	0.615
23	25003-1125	17.250	18.500	0.625	23	25003-1303	4.724	6.101	0.500
23	25003-1126	17.000	17.906	0.500	23	25003-1304	12.500	14.375	0.750
23	25003-1127	6.875	7.875	0.375	23	25003-1305	22.500	23.375	0.375
23	25003-1145	3.937	5.256	0.468	23	25003-1308	7.375	8.500	0.500
23	25003-1146	10.375	11.633	0.812	23	25003-1310	12.000	12.875	0.375
23	25003-1152	7.800	8.800	0.500	23	25003-1311	22.875	23.750	0.375
23	25003-1158	17.625	19.375	0.750	23	25003-1312	26.875	27.750	0.375
23	25003-1160	4.687	5.625	0.500	23	25003-1314	9.842	11.842	0.750
23	25003-1165	9.000	10.910	0.812	23	25003-1316	7.480	8.980	0.750
23	25003-1169	26.968	27.953	0.500	23	25003-1317	3.900	5.200	0.500
23	25003-1172	6.000	7.500	0.375	23	25003-1335	2.125	3.125	0.500
23	25003-1173	12.438	14.375	0.812	23	25003-1374	5.906	7.906	0.500
23	25003-1175	15.000	16.250	0.625	23	25003-1376	19.500	21.500	0.625
23	25003-1176	12.438	14.438	0.812	23	25003-1379	7.480	8.661	0.630
23	25003-1179	17.716	19.685	0.812	23	25003-1388	6.890	8.465	0.625
23	25003-1181	20.111	22.111	0.812	23	25003-1391	6.298	7.500	0.375
23	25003-1182	12.598	14.252	0.812	23	25003-1392	8.661	10.236	0.787
23	25003-1204	2.000	3.000	0.375	23	25003-1393	6.062	7.500	0.750
23	25003-1206	2.000	3.000	0.500	23	25003-1394	6.299	7.244	0.551
23	25003-1214	7.480	9.055	0.630	23	25003-1395	6.693	7.638	0.551
23	25003-1224	22.500	23.500	0.500	23	25003-1397	4.921	6.299	0.709
23	25003-1227	55.250	56.500	0.750	23	25003-1430	9.250	10.170	0.500
23	25003-1229	5.094	6.586	0.484	23	25003-1433	7.087	7.961	0.472
23	25003-1235	8.937	10.500	0.750	23	25003-1439	15.937	17.437	0.750
23	25003-1237	18.110	20.078	0.787	23	25003-1440	3.437	4.500	0.437
23	25003-1239	3.950	4.950	0.500	23	25003-1441	9.875	11.375	0.625
23	25003-1241	4.875	6.325	0.500	23	25003-1444	3.500	4.475	0.500
23	25003-1242	13.000	14.606	0.703	23	25003-1445	13.750	15.375	0.750
23	25003-1246	10.984	12.165	0.591	23	25003-1448	3.938	5.000	0.400
23	25003-1248	4.813	6.007	0.375	23	25003-1449	15.438	16.938	0.750
23	25003-1250	5.438	6.720	0.625	23	25003-1453	55.125	58.000	0.750
23	25003-1255	2.062	2.997	0.375	23	25003-1454	14.875	16.875	0.375
23	25003-1256	2.938	3.905	0.484	23	25003-1457	6.250	7.375	0.625
23	25003-1259	4.921	5.906	0.591	23	25003-1459	17.000	18.500	0.720
23	25003-1262	11.220	12.402	0.787	23	25003-1461	10.125	11.625	0.500
23	25003-1269	6.102	7.087	0.500	23	25003-1463	8.437	9.937	0.500
23	25003-1275	45.000	46.750	0.875	23	25003-1464	7.125	8.625	0.437
23	25003-1277	4.500	5.687	0.500	23	25003-1465	11.031	12.031	0.500
23	25003-1280	16.299	18.268	0.812	23	25003-1480	2.250	3.125	0.375
23	25003-1283	9.750	11.375	0.750	23	25003-1482	2.250	3.125	0.500
23	25003-1286	6.247	7.188	0.375	23	25003-1492	2.250	3.250	0.375
23	25003-1287	14.140	15.640	0.625	23	25003-1493	2.250	3.250	0.438
23	25003-1288	7.812	9.000	0.625	23	25003-1494	2.250	3.250	0.500
23	25003-1289	33.625	35.593	0.937	23	25003-1515	3.625	4.609	0.492

All dimensions are in inches. Preferred sizes are indicated with **bold** type face. Sizes listed are for standard nitrile elements, except Models 25 and 62 which have PTFE elements. Other material available on inquiry only.

Oil Seals by Model Number

Garlock

MODEL NO	PART NO	SHAFT	BORE	WIDTH	MODEL NO	PART NO	SHAFT	BORE	WIDTH
23	25003-1586	3.250	4.225	0.375	23	25003-1766	3.938	4.906	0.484
23	25003-1589	3.250	4.312	0.500	23	25003-1767	15.354	17.086	0.787
23	25003-1590	3.228	4.488	0.500	23	25003-1768	3.465	4.729	0.500
23	25003-1592	8.437	9.937	0.750	23	25003-1769	13.125	15.000	0.750
23	25003-1608	15.354	16.535	0.551	23	25003-1770	8.000	9.450	0.625
23	25003-1609	6.250	7.375	0.562	23	25003-1772	3.464	4.331	0.500
23	25003-1610	3.906	5.000	0.500	23	25003-1773	19.625	21.375	0.750
23	25003-1616	7.087	8.071	0.512	23	25003-1777	5.438	6.750	0.750
23	25003-1617	14.750	16.500	0.812	23	25003-1778	3.250	4.543	0.500
23	25003-1619	12.875	14.000	0.750	23	25003-1779	5.161	6.475	0.500
23	25003-1622	40.533	42.283	0.875	23	25003-1780	19.625	21.125	0.500
23	25003-1623	10.750	12.687	0.578	23	25003-1781	12.125	13.125	0.500
23	25003-1625	4.500	5.688	0.625	23	25003-1782	11.188	13.000	0.750
23	25003-1628	3.312	4.250	0.500	23	25003-1804	2.500	3.246	0.375
23	25003-1631	14.484	16.312	0.562	23	25003-1807	2.500	3.250	0.375
23	25003-1632	14.484	15.369	0.500	23	25003-1819	2.500	3.500	0.375
23	25003-1634	42.992	44.492	0.750	23	25003-1820	2.500	3.500	0.437
23	25003-1635	5.250	6.313	0.500	23	25003-1821	2.500	3.500	0.500
23	25003-1642	2.375	3.125	0.375	23	25003-1832	6.500	7.500	0.375
23	25003-1657	2.375	3.350	0.375	23	25003-1844	2.625	3.625	0.500
23	25003-1664	4.500	5.750	0.438	23	25003-1865	14.041	15.541	0.625
23	25003-1682	5.500	6.375	0.500	23	25003-1866	19.687	21.673	0.812
23	25003-1688	15.161	16.885	0.812	23	25003-1868	7.250	8.702	0.609
23	25003-1689	6.000	7.187	0.750	23	25003-1869	6.889	7.889	0.500
23	25003-1690	7.480	8.729	0.625	23	25003-1872	57.000	59.000	0.812
23	25003-1691	12.500	14.062	0.625	23	25003-1875	3.937	4.921	0.492
23	25003-1694	8.750	9.764	0.375	23	25003-1876	9.125	10.500	0.625
23	25003-1695	32.687	33.937	0.500	23	25003-1877	38.000	40.000	1.000
23	25003-1697	75.000	76.500	0.750	23	25003-1881	10.000	11.875	0.812
23	25003-1698	13.000	14.375	0.375	23	25003-1883	14.028	15.428	0.750
23	25003-1699	8.376	9.565	0.750	23	25003-1885	2.562	3.500	0.375
23	25003-1701	32.835	33.937	0.500	23	25003-1889	13.000	14.608	0.750
23	25003-1702	6.440	7.969	0.750	23	25003-1894	2.562	3.751	0.375
23	25003-1703	9.843	11.342	0.748	23	25003-1895	3.062	4.125	0.437
23	25003-1706	6.063	7.087	0.413	23	25003-1901	3.681	4.681	0.500
23	25003-1707	4.882	6.299	0.413	23	25003-1905	11.000	13.000	0.500
23	25003-1709	6.889	7.874	0.472	23	25003-1906	3.438	4.600	0.500
23	25003-1710	12.250	14.125	0.750	23	25003-1907	49.500	51.325	0.850
23	25003-1712	12.598	14.173	0.748	23	25003-1908	10.125	11.500	0.625
23	25003-1713	3.750	4.732	0.405	23	25003-1910	9.500	11.500	0.500
23	25003-1717	6.299	7.874	0.472	23	25003-1911	20.866	22.835	0.787
23	25003-1718	5.511	6.693	0.472	23	25003-1913	14.000	15.625	0.812
23	25003-1719	25.197	27.165	0.807	23	25003-1918	15.250	16.250	0.500
23	25003-1721	8.375	9.500	0.750	23	25003-1919	26.000	27.125	0.562
23	25003-1728	36.500	39.000	0.750	23	25003-1923	17.000	18.250	0.750
23	25003-1730	34.000	36.500	0.750	23	25003-1925	12.000	13.000	0.625
23	25003-1733	57.000	59.000	0.827	23	25003-1928	4.062	5.000	0.375
23	25003-1734	7.187	8.437	0.500	23	25003-1939	2.625	3.500	0.375
23	25003-1735	2.438	3.250	0.375	23	25003-1941	2.625	3.500	0.500
23	25003-1736	2.437	3.312	0.375	23	25003-1942	2.625	3.543	0.375
23	25003-1746	3.938	4.906	0.484	23	25003-1949	7.874	8.858	0.591
23	25003-1749	2.438	3.500	0.500	23	25003-1953	8.464	9.646	0.492

All dimensions are in inches. Preferred sizes are indicated with **bold** type face.

Sizes listed are for standard nitrile elements, except Models 25 and 62 which have PTFE elements. Other material available on inquiry only.

Garlock

Oil Seals by Model Number

MODEL NO	PART NO	SHAFT	BORE	WIDTH	MODEL NO	PART NO	SHAFT	BORE	WIDTH
23	25003-1957	39.000	41.500	0.750	23	25003-2105	2.953	4.213	0.492
23	25003-1958	2.625	3.625	0.375	23	25003-2106	7.625	8.500	0.500
23	25003-1960	12.875	13.875	0.500	23	25003-2108	3.062	4.000	0.500
23	25003-1961	5.500	6.875	0.562	23	25003-2109	13.780	15.512	0.500
23	25003-1962	11.024	12.520	0.709	23	25003-2110	2.875	3.625	0.375
23	25003-1963	9.000	10.500	0.562	23	25003-2111	2.875	3.625	0.438
23	25003-1965	7.438	8.500	0.500	23	25003-2115	2.875	3.623	0.375
23	25003-1968	14.567	16.535	0.787	23	25003-2118	2.875	3.750	0.375
23	25003-1970	6.496	7.874	0.591	23	25003-2121	2.875	3.875	0.375
23	25003-1971	10.500	12.500	0.500	23	25003-2137	3.346	4.331	0.492
23	25003-1973	12.375	13.705	0.375	23	25003-2140	2.937	3.937	0.500
23	25003-1974	29.968	31.968	0.812	23	25003-2144	72.500	74.000	0.750
23	25003-1976	17.000	18.000	0.500	23	25003-2146	2.938	3.750	0.375
23	25003-1977	24.375	25.625	0.625	23	25003-2149	2.937	3.876	0.375
23	25003-1979	3.937	5.118	0.472	23	25003-2152	2.938	4.003	0.375
23	25003-1980	10.500	11.906	0.766	23	25003-2153	2.937	4.003	0.437
23	25003-1982	10.875	12.875	0.500	23	25003-2156	7.812	9.250	0.500
23	25003-1983	41.125	43.125	1.000	23	25003-2158	28.625	30.625	0.812
23	25003-1984	12.500	13.375	0.500	23	25003-2159	5.500	6.750	0.687
23	25003-1985	30.313	31.813	0.750	23	25003-2168	3.000	3.751	0.375
23	25003-1986	3.228	4.102	0.375	23	25003-2171	3.000	3.876	0.375
23	25003-1988	3.562	4.562	0.375	23	25003-2173	3.000	3.875	0.500
23	25003-1989	12.579	14.000	0.750	23	25003-2174	3.000	4.003	0.375
23	25003-1991	19.674	21.674	0.812	23	25003-2176	3.000	4.003	0.500
23	25003-1992	15.750	16.948	0.750	23	25003-2177	3.000	4.125	0.500
23	25003-1997	25.625	26.875	0.625	23	25003-2183	3.000	4.375	0.500
23	25003-1998	3.150	4.331	0.500	23	25003-2185	12.750	14.250	0.812
23	25003-2000	4.134	5.118	0.500	23	25003-2186	3.000	4.500	0.500
23	25003-2013	2.687	3.881	0.468	23	25003-2193	18.000	19.438	0.500
23	25003-2016	3.750	5.062	0.375	23	25003-2196	24.640	25.640	0.500
23	25003-2018	17.500	18.906	0.766	23	25003-2200	3.063	4.063	0.500
23	25003-2019	5.512	6.496	0.492	23	25003-2201	3.063	4.125	0.500
23	25003-2021	17.500	18.750	0.500	23	25003-2205	68.000	70.000	1.000
23	25003-2022	5.305	6.305	0.500	23	25003-2206	15.512	16.535	0.500
23	25003-2024	4.910	5.910	0.500	23	25003-2214	3.346	4.331	0.472
23	25003-2026	14.580	16.200	0.625	23	25003-2225	3.125	4.125	0.500
23	25003-2030	2.750	4.000	0.500	23	25003-2228	3.125	4.249	0.500
23	25003-2035	2.750	3.500	0.375	23	25003-2231	3.125	4.375	0.500
23	25003-2044	2.750	3.751	0.375	23	25003-2233	5.906	7.480	0.591
23	25003-2054	2.750	3.625	0.438	23	25003-2234	3.125	4.500	0.500
23	25003-2057	2.750	3.750	0.375	23	25003-2244	8.875	10.250	0.750
23	25003-2058	21.250	23.250	0.750	23	25003-2245	13.386	15.118	0.787
23	25003-2064	7.010	8.510	0.500	23	25003-2247	8.858	10.433	0.630
23	25003-2065	7.256	8.756	0.500	23	25003-2248	26.378	27.874	0.748
23	25003-2066	14.173	15.354	0.709	23	25003-2249	3.187	4.249	0.500
23	25003-2067	14.750	16.125	0.750	23	25003-2252	3.187	4.375	0.500
23	25003-2068	10.000	11.000	0.375	23	25003-2255	3.188	4.500	0.500
23	25003-2069	15.748	17.717	0.787	23	25003-2256	9.646	11.142	0.812
23	25003-2079	29.528	32.047	0.750	23	25003-2259	3.897	4.876	0.500
23	25003-2081	7.283	8.283	0.500	23	25003-2265	40.265	41.765	0.750
23	25003-2090	2.812	3.876	0.437	23	25003-2269	6.375	7.250	0.500
23	25003-2095	3.681	5.000	0.500	23	25003-2270	3.250	4.249	0.500

All dimensions are in inches. Preferred sizes are indicated with **bold** type face. Sizes listed are for standard nitrile elements, except Models 25 and 62 which have PTFE elements. Other material available on inquiry only.

Oil Seals by Model Number

Garlock

MODEL NO	PART NO	SHAFT	BORE	WIDTH	MODEL NO	PART NO	SHAFT	BORE	WIDTH
23	25003-2272	3.250	4.250	0.625	23	25003-2426	3.625	4.999	0.500
23	25003-2273	3.250	4.375	0.500	23	25003-2429	3.625	5.125	0.500
23	25003-2274	5.125	6.000	0.500	23	25003-2439	19.688	21.688	0.812
23	25003-2275	15.748	17.717	0.812	23	25003-2441	3.687	4.750	0.500
23	25003-2276	3.250	4.500	0.500	23	25003-2444	3.687	4.875	0.500
23	25003-2279	3.250	4.625	0.500	23	25003-2447	3.687	4.999	0.500
23	25003-2282	3.250	4.750	0.500	23	25003-2450	3.687	5.125	0.500
23	25003-2286	13.386	15.157	0.787	23	25003-2454	12.205	13.937	0.787
23	25003-2293	4.921	6.299	0.512	23	25003-2457	6.890	8.071	0.591
23	25003-2294	3.916	5.234	0.500	23	25003-2458	10.357	11.500	0.625
23	25003-2297	3.312	4.375	0.500	23	25003-2462	3.750	4.750	0.500
23	25003-2300	3.313	4.500	0.500	23	25003-2465	3.750	4.875	0.500
23	25003-2301	3.312	4.500	0.468	23	25003-2468	3.750	4.999	0.500
23	25003-2308	53.185	54.190	0.812	23	25003-2471	3.750	5.125	0.500
23	25003-2313	27.500	29.500	0.750	23	25003-2472	12.250	14.000	0.625
23	25003-2314	10.236	12.244	0.748	23	25003-2474	3.750	5.250	0.500
23	25003-2319	12.750	14.482	0.787	23	25003-2475	61.417	63.417	0.812
23	25003-2321	3.375	4.375	0.500	23	25003-2477	44.094	46.063	0.812
23	25003-2322	20.000	20.938	0.500	23	25003-2483	3.812	4.875	0.500
23	25003-2324	3.375	4.500	0.500	23	25003-2484	19.685	21.457	0.787
23	25003-2327	3.375	4.625	0.500	23	25003-2485	9.055	10.180	0.494
23	25003-2328	14.961	16.535	0.625	23	25003-2486	3.812	4.999	0.500
23	25003-2330	3.375	4.750	0.500	23	25003-2491	16.187	17.437	0.750
23	25003-2331	2.953	4.213	0.500	23	25003-2493	3.938	4.999	0.438
23	25003-2333	3.375	4.875	0.500	23	25003-2495	3.812	5.375	0.500
23	25003-2337	18.750	20.250	0.500	23	25003-2496	4.803	5.906	0.500
23	25003-2341	5.905	7.087	0.630	23	25003-2497	12.750	14.750	0.812
23	25003-2343	9.625	11.000	0.750	23	25003-2499	17.400	19.400	0.812
23	25003-2344	10.000	11.640	0.750	23	25003-2500	7.874	9.374	0.752
23	25003-2345	3.438	4.500	0.500	23	25003-2501	3.875	4.875	0.500
23	25003-2348	3.437	4.625	0.500	23	25003-2505	20.000	21.250	0.625
23	25003-2350	10.827	12.205	0.591	23	25003-2507	3.875	5.125	0.500
23	25003-2352	10.000	11.375	0.500	23	25003-2509	25.000	26.875	0.750
23	25003-2355	4.187	5.312	0.500	23	25003-2510	3.875	5.250	0.500
23	25003-2358	3.125	4.500	0.438	23	25003-2513	3.875	5.375	0.500
23	25003-2364	3.500	4.375	0.375	23	25003-2518	4.987	6.000	0.500
23	25003-2366	3.500	4.500	0.500	23	25003-2519	3.937	4.999	0.500
23	25003-2372	3.500	4.750	0.500	23	25003-2523	3.938	4.938	0.438
23	25003-2376	10.500	11.500	0.375	23	25003-2522	3.937	5.125	0.500
23	25003-2383	13.500	14.919	0.700	23	25003-2525	3.937	5.250	0.500
23	25003-2385	3.238	4.180	0.500	23	25003-2530	9.500	10.937	0.750
23	25003-2389	15.748	17.716	0.709	23	25003-2533	4.016	5.438	0.500
23	25003-2391	7.750	9.000	0.750	23	25003-2537	4.000	4.999	0.500
23	25003-2393	3.562	4.625	0.500	23	25003-2540	4.000	5.125	0.500
23	25003-2395	12.125	13.375	0.750	23	25003-2543	4.000	5.250	0.500
23	25003-2396	3.562	4.750	0.500	23	25003-2546	4.000	5.375	0.500
23	25003-2406	3.562	4.438	0.438	23	25003-2548	3.938	5.125	0.468
23	25003-2409	5.500	6.750	0.575	23	25003-2549	4.000	5.500	0.500
23	25003-2415	3.625	5.000	0.500	23	25003-2553	4.000	5.500	0.438
23	25003-2417	3.625	4.625	0.500	23	25003-2554	4.000	4.875	0.500
23	25003-2420	3.625	4.750	0.500	23	25003-2557	4.000	4.937	0.500
23	25003-2423	3.625	4.875	0.500	23	25003-2560	6.062	7.062	0.375

All dimensions are in inches. Preferred sizes are indicated with **bold** type face.

Sizes listed are for standard nitrile elements, except Models 25 and 62 which have PTFE elements. Other material available on inquiry only.

Garlock

Oil Seals by Model Number

MODEL NO	PART NO	SHAFT	BORE	WIDTH	MODEL NO	PART NO	SHAFT	BORE	WIDTH
23	25003-2565	3.000	4.000	0.406	23	25003-2679	7.480	8.480	0.500
23	25003-2570	4.062	5.125	0.500	23	25003-2680	6.000	7.125	0.437
23	25003-2572	5.315	6.693	0.500	23	25003-2683	17.000	18.500	0.625
23	25003-2573	4.062	5.250	0.500	23	25003-2684	4.312	5.375	0.500
23	25003-2575	7.937	9.250	0.625	23	25003-2685	3.125	4.188	0.500
23	25003-2578	4.250	5.062	0.375	23	25003-2687	4.313	5.500	0.500
23	25003-2579	4.062	5.500	0.500	23	25003-2688	7.600	8.894	0.750
23	25003-2580	9.375	11.250	0.750	23	25003-2689	4.312	5.500	0.625
23	25003-2581	7.480	8.465	0.500	23	25003-2690	4.312	5.625	0.500
23	25003-2582	11.024	12.205	0.630	23	25003-2691	4.313	5.501	0.438
23	25003-2598	8.214	9.464	0.500	23	25003-2693	4.312	5.750	0.500
23	25003-2600	4.125	5.125	0.500	23	25003-2696	4.313	5.313	0.438
23	25003-2603	4.125	5.250	0.500	23	25003-2697	18.449	19.449	0.500
23	25003-2606	4.125	5.375	0.500	23	25003-2700	14.394	15.394	0.500
23	25003-2608	4.125	5.375	0.625	23	25003-2703	50.000	52.250	0.750
23	25003-2609	4.125	5.500	0.500	23	25003-2704	11.750	13.562	0.500
23	25003-2612	4.125	5.625	0.500	23	25003-2707	26.625	28.125	0.750
23	25003-2613	10.433	11.417	0.625	23	25003-2708	4.375	5.375	0.500
23	25003-2614	7.625	9.188	0.625	23	25003-2709	25.375	26.875	0.562
23	25003-2615	8.750	10.312	0.625	23	25003-2711	4.375	5.500	0.500
23	25003-2617	2.562	3.439	0.375	23	25003-2714	4.375	5.625	0.500
23	25003-2619	15.625	17.625	0.812	23	25003-2717	4.375	5.750	0.500
23	25003-2620	19.625	21.080	0.500	23	25003-2719	4.625	6.095	0.500
23	25003-2621	4.125	6.000	0.500	23	25003-2720	4.375	5.875	0.500
23	25003-2622	3.938	4.950	0.500	23	25003-2721	8.970	10.500	0.500
23	25003-2623	55.906	57.874	0.812	23	25003-2724	4.375	6.000	0.562
23	25003-2624	5.500	6.375	0.437	23	25003-2727	8.375	9.875	0.375
23	25003-2625	16.535	17.913	0.787	23	25003-2728	19.250	20.250	0.500
23	25003-2626	4.331	5.315	0.500	23	25003-2732	4.438	5.500	0.500
23	25003-2628	26.750	28.562	0.812	23	25003-2735	4.438	5.625	0.500
23	25003-2630	4.187	5.250	0.500	23	25003-2738	4.437	5.750	0.500
23	25003-2632	3.187	4.447	0.500	23	25003-2741	18.000	19.500	0.750
23	25003-2633	4.187	5.375	0.500	23	25003-2744	4.438	6.000	0.500
23	25003-2634	4.724	5.708	0.500	23	25003-2745	4.437	6.000	0.562
23	25003-2636	4.188	5.500	0.500	23	25003-2750	4.438	6.250	0.500
23	25003-2640	16.530	17.854	0.500	23	25003-2753	4.500	5.500	0.500
23	25003-2641	4.188	5.188	0.500	23	25003-2756	4.500	5.625	0.500
23	25003-2642	4.187	5.750	0.500	23	25003-2759	4.500	5.750	0.500
23	25003-2643	7.283	8.464	0.590	23	25003-2762	4.500	5.875	0.500
23	25003-2644	4.188	5.250	0.469	23	25003-2763	4.500	5.750	0.375
23	25003-2646	11.500	13.125	0.812	23	25003-2764	29.000	31.000	1.000
23	25003-2647	8.250	9.688	0.750	23	25003-2765	4.500	6.000	0.500
23	25003-2652	20.375	22.188	0.812	23	25003-2769	25.203	27.171	0.812
23	25003-2653	20.500	22.000	0.625	23	25003-2773	33.858	35.858	0.813
23	25003-2655	10.438	12.000	0.625	23	25003-2774	4.500	6.375	0.500
23	25003-2657	4.250	5.250	0.500	23	25003-2775	21.000	22.760	0.750
23	25003-2658	4.250	5.250	0.562	23	25003-2777	4.562	5.625	0.500
23	25003-2660	4.250	5.375	0.500	23	25003-2780	4.563	5.750	0.500
23	25003-2663	4.250	5.500	0.500	23	25003-2781	16.500	17.875	0.750
23	25003-2666	4.250	5.625	0.500	23	25003-2786	4.562	6.000	0.500
23	25003-2669	4.250	5.750	0.500	23	25003-2790	4.494	5.925	0.500
23	25003-2674	23.228	25.197	0.787	23	25003-2791	10.688	12.250	0.625

All dimensions are in inches. Preferred sizes are indicated with **bold** type face. Sizes listed are for standard nitrile elements, except Models 25 and 62 which have PTFE elements. Other material available on inquiry only.

Oil Seals by Model Number

Garlock

MODEL NO	PART NO	SHAFT	BORE	WIDTH	MODEL NO	PART NO	SHAFT	BORE	WIDTH
23	25003-2792	4.562	6.250	0.500	23	25003-2923	5.000	6.250	0.625
23	25003-2793	5.938	7.438	0.500	23	25003-2924	5.000	6.375	0.500
23	25003-2794	32.156	34.250	0.750	23	25003-2926	5.000	6.375	0.625
23	25003-2796	28.740	31.260	0.748	23	25003-2927	5.000	6.500	0.500
23	25003-2798	4.625	5.625	0.500	23	25003-2928	5.000	6.500	0.562
23	25003-2801	4.625	5.750	0.500	23	25003-2943	3.437	4.875	0.437
23	25003-2804	4.625	5.875	0.500	23	25003-2944	16.625	18.500	0.750
23	25003-2807	4.625	6.000	0.500	23	25003-2946	2.938	4.064	0.500
23	25003-2808	16.110	18.110	0.787	23	25003-2949	4.291	5.394	0.500
23	25003-2810	4.625	6.125	0.500	23	25003-2954	5.062	6.125	0.500
23	25003-2813	4.625	6.250	0.500	23	25003-2965	3.438	4.460	0.500
23	25003-2816	4.438	5.875	0.500	23	25003-2966	2.953	3.937	0.375
23	25003-2819	4.687	5.750	0.500	23	25003-2968	11.250	12.530	0.625
23	25003-2822	4.687	5.875	0.500	23	25003-2970	8.250	9.312	0.437
23	25003-2826	6.693	7.874	0.472	23	25003-2973	5.000	6.437	0.500
23	25003-2828	7.087	8.268	0.472	23	25003-2974	5.000	5.875	0.500
23	25003-2829	8.661	9.843	0.472	23	25003-2976	8.471	9.850	0.630
23	25003-2833	8.268	9.449	0.472	23	25003-2977	4.938	5.750	0.500
23	25003-2837	4.750	5.750	0.500	23	25003-2980	13.750	15.250	0.500
23	25003-2840	4.750	5.875	0.500	23	25003-2983	6.750	8.000	0.375
23	25003-2843	4.750	6.000	0.500	23	25003-2984	4.435	5.594	0.500
23	25003-2846	4.750	6.125	0.500	23	25003-2985	4.000	5.625	0.375
23	25003-2849	4.750	6.250	0.500	23	25003-2988	5.118	6.299	0.591
23	25003-2855	4.812	5.875	0.500	23	25003-2990	5.125	6.125	0.500
23	25003-2858	4.812	6.000	0.500	23	25003-2993	5.125	6.250	0.500
23	25003-2861	4.812	6.125	0.500	23	25003-2994	5.125	6.250	0.562
23	25003-2866	7.480	8.677	0.500	23	25003-2996	5.125	6.375	0.500
23	25003-2870	4.875	5.875	0.500	23	25003-2997	5.125	6.375	0.562
23	25003-2873	4.875	6.000	0.500	23	25003-2998	5.125	6.375	0.625
23	25003-2875	4.875	6.000	0.625	23	25003-2999	5.125	6.500	0.500
23	25003-2876	4.875	6.125	0.500	23	25003-3001	5.125	6.500	0.625
23	25003-2878	4.875	6.125	0.625	23	25003-3007	8.375	9.750	0.625
23	25003-2879	4.875	6.250	0.500	23	25003-3012	4.309	5.348	0.375
23	25003-2880	4.875	6.250	0.562	23	25003-3026	5.187	6.250	0.500
23	25003-2882	4.875	6.375	0.500	23	25003-3029	5.188	6.375	0.500
23	25003-2887	4.921	5.906	0.472	23	25003-3032	5.187	6.500	0.500
23	25003-2890	6.063	7.063	0.390	23	25003-3057	20.000	21.500	0.625
23	25003-2893	4.938	5.938	0.438	23	25003-3059	5.250	6.250	0.500
23	25003-2894	4.937	6.000	0.500	23	25003-3062	5.250	6.375	0.500
23	25003-2896	4.937	6.000	0.625	23	25003-3065	5.250	6.500	0.500
23	25003-2897	4.938	6.125	0.500	23	25003-3067	5.250	6.500	0.625
23	25003-2900	4.938	6.250	0.500	23	25003-3068	5.250	6.625	0.500
23	25003-2903	4.938	6.375	0.500	23	25003-3071	5.250	6.750	0.500
23	25003-2904	4.937	6.375	0.562	23	25003-3073	5.250	6.750	0.625
23	25003-2907	29.750	31.750	0.875	23	25003-3083	33.000	35.000	0.750
23	25003-2910	4.938	5.875	0.500	23	25003-3088	20.939	22.939	0.812
23	25003-2911	12.598	14.330	0.787	23	25003-3090	5.302	6.302	0.500
23	25003-2915	5.000	6.000	0.500	23	25003-3091	15.000	16.375	0.531
23	25003-2918	5.000	6.125	0.500	23	25003-3092	5.313	6.375	0.500
23	25003-2919	5.000	6.125	0.563	23	25003-3093	12.205	13.780	0.709
23	25003-2921	5.000	6.250	0.500	23	25003-3094	7.000	8.187	0.625
23	25003-2922	5.000	6.250	0.562	23	25003-3095	5.312	6.500	0.500

All dimensions are in inches. Preferred sizes are indicated with **bold** type face.

Sizes listed are for standard nitrile elements, except Models 25 and 62 which have PTFE elements. Other material available on inquiry only.

Garlock

Oil Seals by Model Number

MODEL NO	PART NO	SHAFT	BORE	WIDTH	MODEL NO	PART NO	SHAFT	BORE	WIDTH
23	25003-3096	3.820	5.042	0.375	23	25003-3196	6.000	7.406	0.588
23	25003-3098	5.312	6.625	0.500	23	25003-3197	5.708	7.086	0.630
23	25003-3105	9.500	10.875	0.750	23	25003-3198	10.250	11.500	0.500
23	25003-3109	7.059	8.249	0.625	23	25003-3199	8.000	9.250	0.437
23	25003-3110	9.945	11.560	0.750	23	25003-3203	5.562	6.625	0.500
23	25003-3112	8.464	9.339	0.437	23	25003-3204	5.512	6.890	0.709
23	25003-3114	13.469	14.680	0.500	23	25003-3207	2.431	3.400	0.500
23	25003-3117	8.500	10.062	0.750	23	25003-3209	12.795	14.370	0.630
23	25003-3118	5.315	6.693	0.591	23	25003-3212	5.500	6.625	0.406
23	25003-3122	5.375	6.375	0.500	23	25003-3216	6.875	8.062	0.563
23	25003-3125	5.375	6.500	0.500	23	25003-3217	7.750	8.812	0.500
23	25003-3126	5.375	6.500	0.562	23	25003-3220	22.958	24.958	0.812
23	25003-3127	5.375	6.500	0.625	23	25003-3222	15.108	16.750	0.750
23	25003-3128	5.375	6.625	0.500	23	25003-3223	16.750	18.000	0.750
23	25003-3129	5.375	6.625	0.562	23	25003-3224	12.750	14.000	0.500
23	25003-3130	5.375	6.625	0.625	23	25003-3228	5.625	6.625	0.500
23	25003-3131	5.375	6.750	0.500	23	25003-3229	3.938	5.118	0.375
23	25003-3132	9.448	11.417	0.630	23	25003-3231	5.625	6.750	0.500
23	25003-3134	5.375	6.875	0.500	23	25003-3233	5.625	6.750	0.625
23	25003-3137	12.250	13.875	0.625	23	25003-3234	5.625	6.875	0.500
23	25003-3138	69.125	71.125	0.812	23	25003-3236	5.625	6.875	0.625
23	25003-3140	53.000	54.882	0.881	23	25003-3239	11.750	13.000	0.813
23	25003-3141	26.220	27.220	0.500	23	25003-3240	5.625	7.125	0.500
23	25003-3143	4.875	6.062	0.500	23	25003-3241	6.750	8.500	0.500
23	25003-3144	5.438	6.875	0.750	23	25003-3247	17.000	18.250	0.500
23	25003-3146	10.000	11.250	0.687	23	25003-3248	3.937	4.921	0.500
23	25003-3147	75.000	77.000	1.000	23	25003-3250	14.370	15.866	0.748
23	25003-3148	5.512	7.087	0.625	23	25003-3251	6.889	7.874	0.500
23	25003-3149	14.750	16.625	0.812	23	25003-3253	5.687	6.750	0.500
23	25003-3150	10.438	11.688	0.812	23	25003-3255	9.250	10.375	0.625
23	25003-3152	5.438	6.625	0.500	23	25003-3256	3.750	5.250	0.438
23	25003-3154	11.150	12.375	0.625	23	25003-3257	7.000	8.000	0.375
23	25003-3155	5.437	6.750	0.500	23	25003-3258	5.688	6.750	0.625
23	25003-3157	5.437	6.750	0.625	23	25003-3261	11.063	12.313	0.625
23	25003-3159	4.375	5.250	0.375	23	25003-3262	14.810	15.685	0.375
23	25003-3160	9.000	10.672	0.750	23	25003-3269	6.299	7.274	0.750
23	25003-3163	5.225	6.513	0.625	23	25003-3275	5.750	6.750	0.500
23	25003-3165	29.527	31.496	0.787	23	25003-3276	5.750	6.750	0.438
23	25003-3168	6.500	7.375	0.500	23	25003-3278	5.750	6.875	0.500
23	25003-3169	29.527	31.496	0.905	23	25003-3279	5.750	6.875	0.562
23	25003-3170	12.992	14.724	0.748	23	25003-3280	5.750	6.875	0.625
23	25003-3171	5.897	7.147	0.625	23	25003-3281	5.750	7.000	0.500
23	25003-3172	3.125	4.008	0.375	23	25003-3282	5.750	7.000	0.562
23	25003-3176	5.500	6.500	0.500	23	25003-3283	5.750	7.000	0.625
23	25003-3179	5.500	6.625	0.500	23	25003-3284	5.750	7.125	0.500
23	25003-3180	5.500	6.625	0.562	23	25003-3287	5.750	7.250	0.500
23	25003-3182	5.500	6.750	0.500	23	25003-3288	5.750	7.500	0.562
23	25003-3184	5.500	6.750	0.625	23	25003-3293	5.750	7.500	0.500
23	25003-3185	5.500	6.875	0.500	23	25003-3298	8.125	9.250	0.625
23	25003-3188	5.500	7.000	0.500	23	25003-3303	5.875	6.750	0.625
23	25003-3190	5.500	7.000	0.625	23	25003-3308	5.813	7.250	0.625
23	25003-3195	9.125	10.125	0.375	23	25003-3316	5.875	6.875	0.500

All dimensions are in inches. Preferred sizes are indicated with **bold** type face. Sizes listed are for standard nitrile elements, except Models 25 and 62 which have PTFE elements. Other material available on inquiry only.

Oil Seals by Model Number

Garlock

MODEL NO	PART NO	SHAFT	BORE	WIDTH	MODEL NO	PART NO	SHAFT	BORE	WIDTH
23	25003-3319	5.875	7.000	0.500	23	25003-3432	6.500	7.875	0.625
23	25003-3324	5.875	7.125	0.625	23	25003-3434	6.500	8.000	0.625
23	25003-3325	5.875	7.250	0.500	23	25003-3435	6.500	8.000	0.750
23	25003-3327	5.906	7.087	0.591	23	25003-3436	6.625	7.625	0.625
23	25003-3328	5.875	7.375	0.500	23	25003-3438	6.625	7.750	0.625
23	25003-3330	5.875	7.375	0.625	23	25003-3440	6.625	7.875	0.625
23	25003-3332	5.875	7.500	0.563	23	25003-3442	6.625	8.000	0.625
23	25003-3335	5.937	7.000	0.500	23	25003-3444	6.625	8.125	0.625
23	25003-3343	5.938	7.250	0.625	23	25003-3445	6.625	8.125	0.750
23	25003-3344	5.938	7.375	0.500	23	25003-3455	6.750	7.750	0.438
23	25003-3351	5.938	7.625	0.500	23	25003-3456	6.750	7.750	0.625
23	25003-3355	6.000	7.000	0.500	23	25003-3458	6.750	7.875	0.625
23	25003-3357	6.000	7.000	0.625	23	25003-3459	6.750	7.875	0.375
23	25003-3359	6.000	7.125	0.562	23	25003-3460	6.750	8.000	0.625
23	25003-3360	6.000	7.125	0.625	23	25003-3462	6.750	8.125	0.625
23	25003-3361	6.000	7.250	0.500	23	25003-3464	6.750	8.250	0.625
23	25003-3363	6.000	7.250	0.625	23	25003-3465	6.750	8.250	0.750
23	25003-3364	6.000	7.375	0.500	23	25003-3476	6.875	8.000	0.625
23	25003-3367	6.000	7.500	0.500	23	25003-3477	6.875	7.875	0.438
23	25003-3369	6.000	7.500	0.625	23	25003-3478	6.875	8.125	0.625
23	25003-3370	6.000	7.500	0.750	23	25003-3480	6.875	8.250	0.625
23	25003-3375	6.125	7.125	0.500	23	25003-3481	6.875	8.250	0.750
23	25003-3376	6.063	7.063	0.438	23	25003-3482	6.875	8.375	0.625
23	25003-3378	6.125	7.250	0.500	23	25003-3483	6.875	8.375	0.750
23	25003-3380	6.125	7.250	0.625	23	25003-3490	6.937	8.125	0.750
23	25003-3381	6.125	7.375	0.500	23	25003-3492	7.000	8.000	0.625
23	25003-3383	6.125	7.375	0.625	23	25003-3494	7.000	8.125	0.625
23	25003-3387	6.125	7.500	0.750	23	25003-3495	7.000	8.125	0.750
23	25003-3388	6.250	7.250	0.500	23	25003-3496	7.000	8.250	0.625
23	25003-3390	6.250	7.250	0.625	23	25003-3497	7.000	8.250	0.750
23	25003-3391	6.250	7.375	0.500	23	25003-3498	7.000	8.375	0.625
23	25003-3394	6.250	7.500	0.500	23	25003-3499	7.000	8.375	0.750
23	25003-3395	6.250	7.500	0.562	23	25003-3500	7.000	8.500	0.625
23	25003-3396	6.250	7.500	0.625	23	25003-3501	7.000	8.500	0.750
23	25003-3398	6.250	7.625	0.500	23	25003-3502	7.000	8.000	0.438
23	25003-3402	6.250	7.750	0.500	23	25003-3506	7.125	8.125	0.625
23	25003-3404	6.250	7.750	0.625	23	25003-3508	7.125	8.250	0.625
23	25003-3405	6.250	7.750	0.750	23	25003-3510	7.125	8.375	0.625
23	25003-3406	6.375	7.375	0.500	23	25003-3512	7.125	8.500	0.625
23	25003-3409	6.375	7.500	0.500	23	25003-3515	7.125	8.625	0.750
23	25003-3413	6.375	7.625	0.500	23	25003-3518	7.250	8.250	0.625
23	25003-3415	6.375	7.625	0.625	23	25003-3521	7.188	8.437	0.625
23	25003-3417	6.375	7.750	0.500	23	25003-3522	7.250	8.500	0.625
23	25003-3419	6.375	7.500	0.625	23	25003-3523	7.250	8.500	0.750
23	25003-3421	6.375	7.875	0.500	23	25003-3524	7.250	8.625	0.625
23	25003-3423	6.375	7.875	0.625	23	25003-3525	7.250	8.625	0.750
23	25003-3424	6.375	7.875	0.750	23	25003-3526	7.250	8.750	0.625
23	25003-3425	6.438	7.750	0.750	23	25003-3527	7.250	8.750	0.750
23	25003-3426	6.500	7.500	0.625	23	25003-3528	7.375	8.375	0.625
23	25003-3428	6.500	7.625	0.625	23	25003-3530	7.375	8.500	0.625
23	25003-3430	6.500	7.750	0.625	23	25003-3532	7.375	8.625	0.625
23	25003-3431	6.500	7.750	0.750	23	25003-3533	7.375	8.625	0.750

All dimensions are in inches. Preferred sizes are indicated with **bold** type face.

Sizes listed are for standard nitrile elements, except Models 25 and 62 which have PTFE elements. Other material available on inquiry only.

Garlock

Oil Seals by Model Number

MODEL NO	PART NO	SHAFT	BORE	WIDTH	MODEL NO	PART NO	SHAFT	BORE	WIDTH
23	25003-3536	7.375	8.875	0.625	23	25003-3646	9.500	11.500	0.625
23	25003-3537	7.375	8.875	0.750	23	25003-3652	9.750	11.000	0.750
23	25003-3538	7.375	9.000	0.625	23	25003-3654	9.750	11.250	0.750
23	25003-3544	7.500	8.500	0.625	23	25003-3660	10.000	11.000	0.562
23	25003-3546	7.500	8.625	0.625	23	25003-3661	10.000	11.125	0.563
23	25003-3548	7.500	8.750	0.625	23	25003-3662	10.000	11.250	0.562
23	25003-3552	7.500	9.000	0.625	23	25003-3666	10.000	11.750	0.562
23	25003-3553	7.500	9.000	0.750	23	25003-3672	10.000	11.500	0.750
23	25003-3554	7.500	9.125	0.625	23	25003-3676	10.250	12.250	0.750
23	25003-3558	7.625	8.625	0.625	23	25003-3682	10.750	11.750	0.562
23	25003-3562	7.625	8.875	0.625	23	25003-3685	10.750	12.250	0.562
23	25003-3564	7.625	9.000	0.625	23	25003-3686	10.750	12.500	0.562
23	25003-3566	7.625	9.125	0.625	23	25003-3687	10.750	12.750	0.562
23	25003-3567	7.625	9.125	0.750	23	25003-3691	11.000	12.000	0.625
23	25003-3570	7.750	8.750	0.625	23	25003-3692	11.000	12.250	0.625
23	25003-3573	7.750	8.875	0.750	23	25003-3693	11.000	12.500	0.625
23	25003-3574	7.750	9.000	0.625	23	25003-3695	11.062	12.250	0.750
23	25003-3576	7.750	9.125	0.625	23	25003-3696	11.063	12.500	0.750
23	25003-3578	7.750	9.250	0.625	23	25003-3701	12.000	13.750	0.688
23	25003-3579	7.750	9.250	0.750	23	25003-3712	12.500	13.500	0.625
23	25003-3580	7.875	8.875	0.625	23	25003-3728	14.500	16.500	0.750
23	25003-3581	7.812	8.812	0.438	23	25003-3741	18.000	19.500	0.750
23	25003-3584	7.875	9.125	0.625	23	25003-3760	21.125	22.125	0.500
23	25003-3586	7.875	9.250	0.625	23	25003-3773	19.000	21.500	0.875
23	25003-3587	7.875	9.250	0.750	23	25003-3779	19.500	21.000	0.750
23	25003-3588	7.875	9.375	0.625	23	25003-3796	30.000	32.000	1.000
23	25003-3589	7.875	9.375	0.750	23	25003-3813	32.500	34.500	1.000
23	25003-3590	7.937	9.125	0.625	23	25003-3818	8.250	9.500	0.750
23	25003-3592	8.000	9.000	0.625	23	25003-3830	34.500	36.500	1.000
23	25003-3594	8.000	9.125	0.625	23	25003-3832	8.875	10.125	0.625
23	25003-3595	8.000	9.125	0.750	23	25003-3853	12.000	14.000	0.625
23	25003-3596	8.000	9.250	0.625	23	25003-3868	16.500	17.750	0.750
23	25003-3597	8.000	9.250	0.750	23	25003-3885	1.750	3.189	0.500
23	25003-3598	8.000	9.375	0.625	23	25003-3911	7.480	8.858	0.629
23	25003-3600	8.000	9.500	0.625	23	25003-3913	6.299	7.480	0.629
23	25003-3601	8.000	9.500	0.750	23	25003-3914	7.874	9.055	0.551
23	25003-3604	8.250	9.250	0.625	23	25003-3917	6.438	7.500	0.500
23	25003-3606	8.250	9.500	0.625	23	25003-2920	7.087	8.268	0.630
23	25003-3608	8.375	9.750	0.750	23	25003-3921	8.000	9.500	0.687
23	25003-3611	8.625	10.625	0.750	23	25003-3928	8.125	9.625	0.750
23	25003-3616	9.000	10.125	0.750	23	25003-3930	7.971	9.000	0.375
23	25003-3619	9.000	10.500	0.750	23	25003-3933	8.375	9.875	0.687
23	25003-3620	9.000	10.625	0.750	23	25003-3934	8.375	9.875	0.750
23	25003-3621	9.000	10.750	0.750	23	25003-3935	8.500	9.500	0.625
23	25003-3622	9.000	10.875	0.750	23	25003-3937	8.500	10.000	0.750
23	25003-3623	9.000	11.000	0.750	23	25003-3938	8.500	10.500	0.812
23	25003-3632	9.250	10.750	0.750	23	25003-3940	8.625	10.125	0.750
23	25003-3636	9.437	10.625	0.750	23	25003-3941	8.625	10.250	0.750
23	25003-3638	9.500	10.500	0.625	23	25003-3942	8.661	9.842	0.630
23	25003-3640	9.500	10.750	0.625	23	25003-3947	8.750	10.250	0.750
23	25003-3642	9.500	11.000	0.625	23	25003-3948	8.750	10.375	0.750
23	25003-3645	9.500	11.375	0.625	23	25003-3949	8.750	10.500	0.750

All dimensions are in inches. Preferred sizes are indicated with **bold** type face. Sizes listed are for standard nitrile elements, except Models 25 and 62 which have PTFE elements. Other material available on inquiry only.

Oil Seals by Model Number

Garlock

MODEL NO	PART NO	SHAFT	BORE	WIDTH	MODEL NO	PART NO	SHAFT	BORE	WIDTH
23	25003-3951	8.750	10.750	0.750	23	25003-4058	11.500	13.000	0.750
23	25003-3952	8.750	10.750	0.812	23	25003-4060	11.500	13.250	0.750
23	25003-3953	8.875	10.875	0.812	23	25003-4061	11.500	13.375	0.750
23	25003-3955	9.000	11.000	0.812	23	25003-4062	11.500	13.500	0.750
23	25003-3958	9.125	10.625	0.750	23	25003-4063	11.500	13.500	0.812
23	25003-3959	9.125	10.750	0.750	23	25003-4064	11.750	13.250	0.688
23	25003-3965	9.250	11.000	0.750	23	25003-4065	11.750	13.250	0.750
23	25003-3966	7.985	9.000	0.375	23	25003-4067	12.000	13.500	0.750
23	25003-3967	9.250	11.250	0.750	23	25003-4068	12.000	13.625	0.750
23	25003-3971	9.375	10.875	0.750	23	25003-4071	12.000	14.000	0.750
23	25003-3972	9.375	11.000	0.750	23	25003-4072	12.000	14.000	0.812
23	25003-3973	9.449	11.024	0.748	23	25003-4074	12.250	13.750	0.750
23	25003-3977	9.437	10.500	0.625	23	25003-4075	12.250	14.250	0.812
23	25003-3979	9.500	11.000	0.750	23	25003-4077	12.375	13.875	0.750
23	25003-3981	9.500	11.250	0.750	23	25003-4079	12.500	14.000	0.688
23	25003-3983	9.500	11.500	0.750	23	25003-4080	12.500	14.000	0.750
23	25003-3984	9.500	11.500	0.812	23	25003-4082	12.500	14.500	0.750
23	25003-3985	9.750	11.250	0.688	23	25003-4083	12.500	14.500	0.812
23	25003-3989	9.750	11.750	0.750	23	25003-4086	12.625	14.125	0.750
23	25003-3990	9.875	11.375	0.750	23	25003-4088	12.750	14.250	0.625
23	25003-3991	9.875	11.500	0.750	23	25003-4089	12.750	14.250	0.688
23	25003-3992	10.000	11.500	0.688	23	25003-4093	13.000	14.500	0.687
23	25003-3993	10.000	11.625	0.750	23	25003-4094	13.000	14.500	0.750
23	25003-3994	10.000	11.750	0.750	23	25003-4095	13.000	14.625	0.750
23	25003-3995	10.000	12.000	0.625	23	25003-4098	13.000	15.000	0.750
23	25003-3996	10.000	12.000	0.750	23	25003-4099	13.000	15.000	0.812
23	25003-3997	10.000	12.000	0.812	23	25003-4102	13.250	14.750	0.750
23	25003-4000	10.125	11.625	0.750	23	25003-4103	13.250	14.875	0.750
23	25003-4003	10.125	12.000	0.750	23	25003-4121	13.500	15.000	0.687
23	25003-4005	10.250	11.750	0.750	23	25003-4122	13.500	15.000	0.750
23	25003-4007	10.250	12.000	0.750	23	25003-4127	13.500	15.500	0.750
23	25003-4009	10.250	12.250	0.812	23	25003-4128	13.500	15.500	0.812
23	25003-4011	10.500	12.000	0.688	23	25003-4129	13.750	15.750	0.812
23	25003-4012	10.500	12.000	0.750	23	25003-4131	14.000	15.500	0.687
23	25003-4013	10.500	12.125	0.750	23	25003-4132	14.000	15.500	0.750
23	25003-4014	10.500	12.250	0.750	23	25003-4133	14.000	15.563	0.750
23	25003-4016	10.500	12.500	0.750	23	25003-4134	14.000	15.750	0.750
23	25003-4017	10.500	12.500	0.812	23	25003-4135	14.000	16.000	0.812
23	25003-4018	10.625	12.125	0.750	23	25003-4137	13.875	15.875	0.812
23	25003-4019	10.625	12.250	0.750	23	25003-4138	14.190	15.690	0.625
23	25003-4020	10.625	12.375	0.750	23	25003-4140	14.250	16.250	0.812
23	25003-4024	10.750	12.250	0.750	23	25003-4142	14.500	16.000	0.688
23	25003-4030	10.750	12.750	0.750	23	25003-4143	14.500	16.000	0.750
23	25003-4031	10.750	12.750	0.812	23	25003-4145	14.500	16.500	0.812
23	25003-4032	10.875	12.375	0.750	23	25003-4147	14.750	16.250	0.688
23	25003-4036	11.000	13.000	0.812	23	25003-4148	14.750	16.250	0.750
23	25003-4046	11.250	12.750	0.750	23	25003-4149	14.750	16.500	0.750
23	25003-4047	11.250	13.250	0.812	23	25003-4151	15.000	16.500	0.688
23	25003-4049	11.125	13.125	0.812	23	25003-4152	15.000	16.500	0.750
23	25003-4050	11.375	12.875	0.750	23	25003-4153	15.000	16.750	0.750
23	25003-4051	11.375	13.000	0.750	23	25003-4155	15.000	17.000	0.750
23	25003-4057	11.500	13.000	0.688	23	25003-4156	15.000	17.000	0.812

All dimensions are in inches. Preferred sizes are indicated with **bold** type face.

Sizes listed are for standard nitrile elements, except Models 25 and 62 which have PTFE elements. Other material available on inquiry only.

Garlock

Oil Seals by Model Number

MODEL NO	PART NO	SHAFT	BORE	WIDTH	MODEL NO	PART NO	SHAFT	BORE	WIDTH
23	25003-4158	15.312	16.875	0.687	23	25003-4425	5.312	6.687	0.625
23	25003-4159	15.375	17.375	0.812	23	25003-4426	3.875	5.062	0.375
23	25003-4162	15.500	17.000	0.750	23	25003-4435	37.000	39.000	1.000
23	25003-4163	15.500	17.500	0.812	23	25003-4438	37.500	39.500	0.875
23	25003-4176	15.875	17.875	0.812	23	25003-4440	57.500	59.500	0.812
23	25003-4178	16.000	17.500	0.750	23	25003-4441	12.063	13.625	0.750
23	25003-4180	16.000	18.000	0.812	23	25003-4442	2.977	3.959	0.500
23	25003-4181	16.250	17.750	0.687	23	25003-4444	8.625	10.125	0.609
23	25003-4182	16.250	17.750	0.750	23	25003-4445	6.438	7.708	0.625
23	25003-4184	16.250	18.000	0.750	23	25003-4447	4.664	5.875	0.500
23	25003-4185	16.500	18.000	0.750	23	25003-4449	7.086	8.500	0.625
23	25003-4186	16.500	18.500	0.812	23	25003-4450	11.000	12.375	0.750
23	25003-4188	17.000	18.500	0.687	23	25003-4451	5.375	6.500	0.750
23	25003-4189	17.000	18.500	0.750	23	25003-4452	11.938	13.760	0.750
23	25003-4190	17.000	19.000	0.812	23	25003-4455	3.750	4.750	0.438
23	25003-4195	17.500	19.000	0.750	23	25003-4459	4.563	5.437	0.500
23	25003-4196	17.500	19.250	0.750	23	25003-4460	9.563	10.653	0.500
23	25003-4198	17.500	19.500	0.688	23	25003-4461	5.500	6.756	0.500
23	25003-4200	17.750	19.750	0.812	23	25003-4471	41.250	42.750	0.750
23	25003-4204	17.875	19.875	0.812	23	25003-4476	15.250	17.250	0.812
23	25003-4206	18.000	19.500	0.688	23	25003-4477	6.938	8.125	0.625
23	25003-4209	18.000	20.000	0.750	23	25003-4478	6.938	8.375	0.625
23	25003-4211	18.250	19.750	0.750	23	25003-4479	6.937	8.500	0.625
23	25003-4212	18.250	19.875	0.750	23	25003-4480	12.625	14.000	0.750
23	25003-4213	18.375	19.875	0.687	23	25003-4481	27.559	29.055	0.748
23	25003-4217	18.750	20.250	0.750	23	25003-4482	9.859	10.859	0.500
23	25003-4218	19.000	20.500	0.750	23	25003-4489	5.512	6.387	0.375
23	25003-4225	19.250	21.000	0.812	23	25003-4490	6.063	7.500	0.500
23	25003-4230	20.000	21.750	0.812	23	25003-4493	19.188	20.938	0.625
23	25003-4235	20.000	21.500	0.750	23	25003-4494	15.625	17.250	0.750
23	25003-4239	20.250	21.750	0.750	23	25003-4495	10.500	12.000	0.625
23	25003-4279	22.500	24.500	0.875	23	25003-4496	12.500	14.000	0.625
23	25003-4304	24.437	26.437	0.750	23	25003-4497	9.842	11.417	0.590
23	25003-4308	25.000	26.500	0.750	23	25003-4502	8.500	10.000	0.625
23	25003-4315	27.500	29.000	0.750	23	25003-4503	9.000	10.000	0.625
23	25003-4317	25.500	27.000	0.750	23	25003-4504	9.000	10.125	0.625
23	25003-4343	28.000	29.500	0.750	23	25003-4505	9.000	10.250	0.625
23	25003-4346	28.500	30.500	0.875	23	25003-4506	9.000	10.375	0.625
23	25003-4347	29.000	30.500	0.750	23	25003-4507	9.000	10.500	0.625
23	25003-4351	17.360	19.360	0.812	23	25003-4508	9.000	10.625	0.625
23	25003-4356	30.000	31.500	0.750	23	25003-4509	9.250	10.250	0.625
23	25003-4374	17.313	18.313	0.500	23	25003-4510	16.929	18.504	0.787
23	25003-4376	17.500	18.650	0.531	23	25003-4511	9.250	10.500	0.625
23	25003-4381	33.000	34.500	0.750	23	25003-4512	9.625	10.875	0.750
23	25003-4386	40.157	41.339	0.750	23	25003-4513	9.750	10.750	0.625
23	25003-4393	17.323	18.898	0.787	23	25003-4515	9.750	11.000	0.625
23	25003-4403	17.500	19.000	0.625	23	25003-4516	9.750	11.125	0.625
23	25003-4413	8.688	9.938	0.500	23	25003-4517	9.750	11.250	0.625
23	25003-4414	14.875	16.500	0.750	23	25003-4518	8.688	10.625	0.750
23	25003-4415	5.709	7.087	0.591	23	25003-4520	10.750	12.000	0.625
23	25003-4420	5.500	6.687	0.625	23	25003-4521	16.535	18.504	0.750
23	25003-4424	6.125	7.187	0.500	23	25003-4522	10.750	12.250	0.625

All dimensions are in inches. Preferred sizes are indicated with **bold** type face. Sizes listed are for standard nitrile elements, except Models 25 and 62 which have PTFE elements. Other material available on inquiry only.

Oil Seals by Model Number

Garlock

MODEL NO	PART NO	SHAFT	BORE	WIDTH	MODEL NO	PART NO	SHAFT	BORE	WIDTH
23	25003-4523	17.750	19.000	0.750	23	25003-4673	19.000	20.125	0.547
23	25003-4525	19.750	20.750	0.500	23	25003-4675	24.500	25.625	0.500
23	25003-4526	29.500	30.500	0.500	23	25003-4676	25.750	26.875	0.500
23	25003-4527	11.250	12.750	0.687	23	25003-4678	19.625	21.625	0.812
23	25003-4530	13.750	15.250	0.750	23	25003-4684	10.000	11.910	0.812
23	25003-4532	13.750	15.750	0.750	23	25003-4686	3.475	4.500	0.375
23	25003-4533	26.500	28.000	0.750	23	25003-4688	3.375	4.375	0.438
23	25003-4535	19.375	20.375	0.500	23	25003-4691	14.250	16.000	0.812
23	25003-4536	4.813	6.313	0.500	23	25003-4694	6.375	7.750	0.625
23	25003-4551	6.250	7.185	0.500	23	25003-4698	25.875	26.875	0.500
23	25003-4556	42.750	44.250	0.750	23	25003-4699	14.500	15.750	0.625
23	25003-4557	3.000	4.000	0.500	23	25003-4702	75.000	76.000	0.375
23	25003-4560	6.500	7.500	0.500	23	25003-4705	4.437	5.437	0.375
23	25003-4561	7.125	8.125	0.500	23	25003-4710	3.437	5.000	0.500
23	25003-4572	46.250	47.750	0.750	23	25003-4713	5.438	6.500	0.525
23	25003-4575	5.344	6.312	0.500	23	25003-4714	26.000	27.000	0.500
23	25003-4576	5.375	6.312	0.500	23	25003-4724	9.250	10.500	0.500
23	25003-4585	5.875	7.375	0.563	23	25003-4726	6.000	7.203	0.750
23	25003-4588	17.190	19.190	0.812	23	25003-4727	8.500	10.250	0.750
23	25003-4589	17.500	19.000	0.812	23	25003-4729	6.125	7.625	0.750
23	25003-4591	12.500	14.000	0.812	23	25003-4730	6.950	8.125	0.750
23	25003-4595	6.438	7.500	0.625	23	25003-4733	5.250	6.562	0.750
23	25003-4596	13.383	14.883	0.750	23	25003-4738	4.000	4.897	0.500
23	25003-4599	2.500	3.194	0.375	23	25003-4739	19.500	21.500	0.500
23	25003-4601	14.961	16.693	0.787	23	25003-4741	19.000	21.000	0.500
23	25003-4602	11.811	13.543	0.787	23	25003-4742	3.719	5.094	0.500
23	25003-4604	11.938	13.438	0.625	23	25003-4743	32.500	33.625	0.562
23	25003-4607	3.000	4.070	0.500	23	25003-4745	3.500	4.999	0.375
23	25003-4608	48.000	50.000	1.000	23	25003-4747	3.933	4.933	0.500
23	25003-4610	9.375	11.375	0.812	23	25003-4750	5.437	6.437	0.500
23	25003-4612	12.000	13.500	0.688	23	25003-4756	14.687	16.687	0.812
23	25003-4615	15.250	16.750	0.688	23	25003-4757	8.661	9.842	0.512
23	25003-4617	19.250	20.750	0.750	23	25003-4758	4.187	5.187	0.375
23	25003-4618	9.938	11.938	0.625	23	25003-4759	4.812	5.750	0.500
23	25003-4619	20.500	22.000	0.750	23	25003-4760	8.250	9.375	0.500
23	25003-4621	21.750	23.250	0.750	23	25003-4761	52.000	54.000	0.812
23	25003-4623	24.000	25.500	0.750	23	25003-4762	5.625	7.000	0.750
23	25003-4624	6.889	7.874	0.591	23	25003-4763	7.938	8.875	0.500
23	25003-4625	15.500	16.500	0.500	23	25003-4764	10.063	11.688	0.750
23	25003-4629	15.748	17.480	0.787	23	25003-4765	2.755	3.543	0.375
23	25003-4630	12.992	14.724	0.787	23	25003-4768	3.150	4.249	0.438
23	25003-4634	6.299	7.480	0.500	23	25003-4769	3.070	3.937	0.437
23	25003-4640	3.500	4.500	0.468	23	25003-4770	13.000	14.250	0.625
23	25003-4651	4.000	5.000	0.500	23	25003-4771	4.500	5.750	0.375
23	25003-4655	11.811	13.386	0.787	23	25003-4772	3.875	5.000	0.500
23	25003-4656	5.118	6.299	0.472	23	25003-4774	7.000	8.375	0.688
23	25003-4658	70.688	72.688	0.875	23	25003-4776	3.937	5.187	0.500
23	25003-4660	5.187	6.187	0.500	23	25003-4778	10.313	11.938	0.813
23	25003-4663	17.250	18.750	0.625	23	25003-4779	13.250	15.250	0.812
23	25003-4664	15.875	17.375	0.750	23	25003-4785	11.962	12.687	0.500
23	25003-4666	13.504	15.504	0.812	23	25003-4786	5.312	6.578	0.500
23	25003-4667	17.795	19.795	0.812	23	25003-4788	12.750	14.000	0.750

All dimensions are in inches. Preferred sizes are indicated with **bold** type face.

Sizes listed are for standard nitrile elements, except Models 25 and 62 which have PTFE elements. Other material available on inquiry only.

Garlock

Oil Seals by Model Number

MODEL NO	PART NO	SHAFT	BORE	WIDTH	MODEL NO	PART NO	SHAFT	BORE	WIDTH
23	25003-4789	6.000	7.085	0.438	23	25003-4922	8.500	9.750	0.500
23	25003-4791	12.909	13.872	0.675	23	25003-4923	10.000	11.250	0.500
23	25003-4796	4.562	5.687	0.500	23	25003-4924	7.000	8.250	0.500
23	25003-4797	3.375	4.437	0.375	23	25003-4926	20.250	22.250	0.812
23	25003-4799	8.375	9.875	0.625	23	25003-4934	4.750	6.250	0.750
23	25003-4803	9.125	10.375	0.625	23	25003-4939	4.562	5.562	0.375
23	25003-4804	3.000	4.250	0.500	23	25003-4940	21.000	22.000	0.500
23	25003-4805	10.236	11.968	0.787	23	25003-4948	3.187	4.187	0.500
23	25003-4810	8.062	9.312	0.500	23	25003-4949	15.000	17.000	0.500
23	25003-4812	10.438	12.000	0.750	23	25003-4950	10.000	11.500	0.625
23	25003-4815	17.875	18.875	0.500	23	25003-4954	3.071	4.571	0.500
23	25003-4817	3.937	4.937	0.500	23	25003-4963	10.562	12.562	0.750
23	25003-4820	4.437	5.562	0.500	23	25003-4969	13.000	14.125	0.546
23	25003-4822	8.000	9.000	0.437	23	25003-4970	15.000	16.125	0.547
23	25003-4823	9.563	10.563	0.500	23	25003-4971	17.000	18.125	0.547
23	25003-4826	7.086	8.086	0.500	23	25003-4980	23.074	24.954	0.812
23	25003-4831	5.511	6.511	0.500	23	25003-4981	8.750	10.000	0.515
23	25003-4833	7.760	8.875	0.500	23	25003-4989	9.724	10.724	0.500
23	25003-4839	24.875	26.875	0.812	23	25003-4990	7.854	8.854	0.500
23	25003-4841	5.420	6.625	0.500	23	25003-4992	8.858	9.858	0.500
23	25003-4842	4.438	5.375	0.375	23	25003-4994	10.728	11.728	0.500
23	25003-4846	3.543	4.527	0.500	23	25003-5003	4.475	5.500	0.500
23	25003-4847	4.133	5.110	0.472	23	25003-5006	11.000	12.625	0.625
23	25003-4850	9.892	11.338	0.750	23	25003-5009	8.062	9.562	0.750
23	25003-4854	10.687	12.687	0.750	23	25003-5010	5.500	7.000	0.750
23	25003-4856	62.000	64.000	0.812	23	25003-5012	11.500	12.875	0.750
23	25003-4857	29.875	31.875	0.812	23	25003-5013	36.031	38.031	0.812
23	25003-4860	7.874	8.816	0.500	23	25003-5014	11.344	12.593	0.625
23	25003-4862	5.906	7.283	0.708	23	25003-5017	26.375	28.375	0.812
23	25003-4863	22.320	24.320	0.812	23	25003-5023	3.000	4.000	0.375
23	25003-4864	3.625	4.875	0.375	23	25003-5025	3.125	4.250	0.500
23	25003-4865	9.055	11.024	0.630	23	25003-5029	16.929	18.897	0.787
23	25003-4867	11.000	12.750	0.750	23	25003-5032	6.687	7.937	0.500
23	25003-4872	35.433	37.402	0.787	23	25003-5033	31.250	33.250	0.750
23	25003-4873	4.500	5.500	0.437	23	25003-5039	16.250	17.250	0.500
23	25003-4874	24.000	25.500	0.700	23	25003-5050	27.000	28.500	0.625
23	25003-4879	3.312	4.125	0.500	23	25003-5051	3.563	4.563	0.500
23	25003-4880	4.166	5.506	0.500	23	25003-5052	4.937	6.437	0.562
23	25003-4881	11.811	13.779	0.750	23	25003-5055	20.500	22.500	0.812
23	25003-4882	2.500	3.418	0.438	23	25003-5057	6.062	7.125	0.500
23	25003-4885	9.055	10.630	0.630	23	25003-5058	4.687	5.937	0.500
23	25003-4886	7.187	8.562	0.625	23	25003-5061	49.498	51.375	0.812
23	25003-4889	7.500	8.875	0.500	23	25003-5062	14.250	15.750	0.750
23	25003-4893	8.375	9.625	0.625	23	25003-5067	10.625	11.625	0.625
23	25003-4895	12.250	13.821	0.750	23	25003-5075	4.310	5.300	0.475
23	25003-4897	29.918	31.418	0.750	23	25003-5079	3.750	5.000	0.500
23	25003-4900	6.812	8.312	0.750	23	25003-5081	42.750	43.750	0.500
23	25003-4911	12.000	13.750	0.750	23	25003-5082	9.875	11.875	0.750
23	25003-4912	82.283	84.252	0.812	23	25003-5092	5.312	6.562	0.625
23	25003-4913	13.250	15.125	0.500	23	25003-5093	9.375	10.375	0.437
23	25003-4919	88.031	90.031	0.812	23	25003-5097	3.688	5.000	0.500
23	25003-4921	7.375	8.375	0.500	23	25003-5099	18.937	20.937	0.812

All dimensions are in inches. Preferred sizes are indicated with **bold** type face. Sizes listed are for standard nitrile elements, except Models 25 and 62 which have PTFE elements. Other material available on inquiry only.

Oil Seals by Model Number

Garlock

MODEL NO	PART NO	SHAFT	BORE	WIDTH	MODEL NO	PART NO	SHAFT	BORE	WIDTH
23	25003-5100	3.542	4.542	0.375	23	25003-5273	52.000	53.000	0.500
23	25003-5102	26.875	28.875	0.812	23	25003-5274	55.000	56.000	0.500
23	25003-5107	46.000	48.000	0.812	23	25003-5278	26.781	28.781	0.812
23	25003-5114	12.500	13.500	0.500	23	25003-5279	84.000	86.000	0.812
23	25003-5116	16.000	18.000	0.750	23	25003-5281	29.625	31.625	0.812
23	25003-5117	14.250	16.250	0.750	23	25003-5284	6.000	7.531	0.588
23	25003-5118	4.724	5.905	0.500	23	25003-5287	43.543	45.543	0.812
23	25003-5119	6.062	7.562	0.750	23	25003-5290	15.354	16.929	0.750
23	25003-5122	3.500	4.625	0.375	23	25003-5291	19.875	21.875	0.812
23	25003-5126	9.156	10.656	0.750	23	25003-5294	10.625	11.625	0.415
23	25003-5127	2.875	4.125	0.500	23	25003-5297	85.000	87.000	0.812
23	25003-5130	18.625	20.625	0.812	23	25003-5298	11.625	13.625	0.812
23	25003-5132	3.187	4.132	0.500	23	25003-5302	21.375	23.375	0.812
23	25003-5134	14.375	16.375	0.750	23	25003-5303	11.027	12.500	0.625
23	25003-5138	4.937	6.187	0.500	23	25003-5307	11.575	12.575	0.500
23	25003-5139	6.625	8.125	0.500	23	25003-5308	8.394	9.394	0.500
23	25003-5141	25.250	26.750	0.500	23	25003-5312	21.000	22.750	0.750
23	25003-5153	8.875	10.125	0.625	23	25003-5313	3.625	4.500	0.500
23	25003-5158	19.000	20.000	0.500	23	25003-5320	9.250	10.250	0.437
23	25003-5159	33.000	34.000	0.500	23	25003-5326	39.250	40.750	0.750
23	25003-5160	3.250	4.750	0.437	23	25003-5331	4.250	5.687	0.500
23	25003-5161	8.313	9.313	0.500	23	25003-5333	7.480	8.661	0.492
23	25003-5163	8.406	9.406	0.500	23	25003-5334	9.055	10.230	0.590
23	25003-5166	4.875	5.875	0.375	23	25003-5335	5.906	7.086	0.551
23	25003-5168	17.000	19.000	0.750	23	25003-5336	7.086	8.267	0.492
23	25003-5172	17.625	18.500	0.375	23	25003-5337	7.874	9.055	0.492
23	25003-5174	40.500	42.000	0.750	23	25003-5338	8.267	9.448	0.590
23	25003-5176	11.688	13.750	0.750	23	25003-5339	9.842	11.023	0.590
23	25003-5178	16.375	17.875	0.750	23	25003-5340	12.204	13.385	0.590
23	25003-5186	10.236	11.736	0.750	23	25003-5341	12.922	14.173	0.590
23	25003-5189	5.125	6.125	0.375	23	25003-5346	4.331	5.512	0.551
23	25003-5190	4.187	5.687	0.375	23	25003-5347	4.527	5.708	0.551
23	25003-5195	6.375	7.687	0.625	23	25003-5348	4.724	5.905	0.551
23	25003-5202	37.250	39.250	0.812	23	25003-5349	5.708	6.889	0.551
23	25003-5204	39.500	41.500	0.812	23	25003-5350	10.629	11.811	0.590
23	25003-5209	3.125	4.000	0.500	23	25003-5351	10.236	11.417	0.590
23	25003-5213	8.875	10.500	0.750	23	25003-5352	11.811	12.992	0.590
23	25003-5219	40.500	42.500	0.812	23	25003-5353	4.133	5.314	0.551
23	25003-5222	5.000	6.062	0.500	23	25003-5354	4.921	6.102	0.551
23	25003-5236	77.500	79.500	0.812	23	25003-5355	5.314	6.496	0.551
23	25003-5241	7.562	9.062	0.750	23	25003-5356	6.693	7.874	0.492
23	25003-5245	51.000	52.000	0.500	23	25003-5357	8.661	9.842	0.590
23	25003-5254	22.125	24.125	0.812	23	25003-5358	8.464	9.645	0.590
23	25003-5258	21.653	23.153	0.750	23	25003-5359	9.448	10.629	0.590
23	25003-5259	21.000	22.500	0.750	23	25003-5361	32.375	33.625	0.625
23	25003-5261	11.375	13.000	0.687	23	25003-5363	3.937	4.921	0.433
23	25003-5262	19.500	20.500	0.500	23	25003-5364	4.331	5.315	0.433
23	25003-5263	29.250	30.250	0.500	23	25003-5365	4.527	5.511	0.433
23	25003-5264	57.086	59.086	0.812	23	25003-5366	4.724	5.708	0.433
23	25003-5266	28.500	29.500	0.500	23	25003-5367	5.118	6.259	0.472
23	25003-5267	41.929	43.929	0.813	23	25003-5368	5.511	6.811	0.547
23	25003-5271	19.125	20.125	0.500	23	25003-5369	5.906	7.204	0.547

All dimensions are in inches. Preferred sizes are indicated with **bold** type face. Sizes listed are for standard nitrile elements, except Models 25 and 62 which have PTFE elements. Other material available on inquiry only.

Garlock

Oil Seals by Model Number

MODEL NO	PART NO	SHAFT	BORE	WIDTH	MODEL NO	PART NO	SHAFT	BORE	WIDTH
23	25003-5370	6.693	7.992	0.547	23	25003-5519	35.000	36.000	0.500
23	25003-5371	7.086	8.385	0.547	23	25003-5523	10.250	11.750	0.625
23	25003-5372	7.874	9.448	0.618	23	25003-5525	8.780	10.780	0.750
23	25003-5374	9.055	10.866	0.684	23	25003-5530	15.750	17.250	0.578
23	25003-5375	9.842	11.653	0.684	23	25003-5532	22.673	24.173	0.750
23	25003-5376	38.750	40.687	0.812	23	25003-5533	69.375	71.375	0.812
23	25003-5377	4.922	6.063	0.487	23	25003-5534	17.562	19.062	0.750
23	25003-5378	5.315	6.456	0.487	23	25003-5536	12.205	13.189	0.500
23	25003-5379	5.906	7.590	0.539	23	25003-5550	21.500	23.250	0.812
23	25003-5380	9.448	11.259	0.684	23	25003-5552	24.000	25.125	0.500
23	25003-5381	10.236	12.047	0.684	23	25003-5553	23.750	25.750	0.812
23	25003-5383	13.625	14.625	0.500	23	25003-5558	12.312	13.937	0.750
23	25003-5384	8.125	9.125	0.437	23	25003-5559	8.875	10.625	0.812
23	25003-5385	55.500	57.500	0.812	23	25003-5563	6.187	7.250	0.500
23	25003-5386	44.000	46.000	0.812	23	25003-5575	9.062	10.062	0.375
23	25003-5388	5.118	6.118	0.500	23	25003-5576	12.598	13.583	0.500
23	25003-5395	11.125	12.500	0.750	23	25003-5577	51.000	52.875	0.812
23	25003-5397	11.375	12.625	0.625	23	25003-5578	7.562	9.065	0.750
23	25003-5402	8.464	9.448	0.500	23	25003-5579	45.000	46.500	0.750
23	25003-5403	9.055	10.039	0.500	23	25003-5585	5.000	6.000	0.687
23	25003-5409	45.750	47.750	0.750	23	25003-5586	64.488	66.488	0.812
23	25003-5425	35.000	36.500	0.750	23	25003-5587	61.810	63.810	0.812
23	25003-5426	3.250	4.125	0.500	23	25003-5594	17.719	19.219	0.750
23	25003-5428	21.687	23.187	0.750	23	25003-5595	23.300	24.300	0.500
23	25003-5431	18.110	20.110	0.812	23	25003-5596	53.250	54.250	0.500
23	25003-5432	18.031	20.031	0.812	23	25003-5597	5.875	7.140	0.562
23	25003-5433	52.500	54.500	0.812	23	25003-5598	8.661	9.661	0.500
23	25003-5435	32.125	34.125	0.812	23	25003-5599	16.062	17.062	0.500
23	25003-5443	4.750	5.625	0.500	23	25003-5601	38.250	40.250	0.812
23	25003-5444	3.937	5.187	0.375	23	25003-5602	34.000	35.500	0.750
23	25003-5446	11.811	13.189	0.709	23	25003-5605	7.875	8.875	0.375
23	25003-5449	4.437	5.250	0.375	23	25003-5606	4.312	5.794	0.500
23	25003-5455	14.500	16.250	0.625	23	25003-5611	31.000	32.000	0.500
23	25003-5459	4.922	5.922	0.500	23	25003-5612	28.875	29.750	0.500
23	25003-5460	3.250	4.500	0.438	23	25003-5613	17.900	19.400	0.750
23	25003-5461	8.470	9.500	0.500	23	25003-5614	23.570	25.070	0.750
23	25003-5462	11.000	12.812	0.625	23	25003-5615	23.595	25.095	0.750
23	25003-5463	9.500	11.437	0.625	23	25003-5618	50.000	51.500	0.750
23	25003-5472	9.937	11.937	0.750	23	25003-5619	21.000	23.000	0.750
23	25003-5475	14.950	16.500	0.750	23	25003-5622	37.812	39.812	0.812
23	25003-5477	13.779	15.276	0.500	23	25003-5624	74.500	76.000	0.750
23	25003-5480	8.750	9.875	0.750	23	25003-5625	40.000	41.500	0.750
23	25003-5490	5.115	6.115	0.500	23	25003-5628	6.300	7.781	0.500
23	25003-5495	4.750	5.625	0.625	23	25003-5629	7.078	8.562	0.500
23	25003-5504	28.000	29.125	0.500	23	25003-5634	53.625	54.625	0.500
23	25003-5506	18.562	19.562	0.500	23	25003-5635	4.217	5.280	0.500
23	25003-5508	15.000	16.000	0.500	23	25003-5636	5.780	7.030	0.625
23	25003-5510	54.500	56.500	0.812	23	25003-5637	6.281	7.530	0.625
23	25003-5511	5.315	6.299	0.500	23	25003-5638	7.530	8.780	0.625
23	25003-5513	24.125	26.000	0.812	23	25003-5639	10.530	12.030	0.625
23	25003-5514	30.125	31.125	0.500	23	25003-5640	13.580	14.580	0.500
23	25003-5516	5.203	6.312	0.500	23	25003-5642	11.500	12.625	0.625

All dimensions are in inches. Preferred sizes are indicated with **bold** type face. Sizes listed are for standard nitrile elements, except Models 25 and 62 which have PTFE elements. Other material available on inquiry only.

Oil Seals by Model Number

Garlock

MODEL NO	PART NO	SHAFT	BORE	WIDTH	MODEL NO	PART NO	SHAFT	BORE	WIDTH
23	25003-5647	30.562	32.562	0.812	23	25003-5757	80.500	82.500	0.812
23	25003-5650	3.346	4.331	0.500	23	25003-5760	70.500	72.500	0.812
23	25003-5654	20.469	21.969	0.750	23	25003-5761	20.866	22.637	0.812
23	25003-5658	35.750	37.750	0.812	23	25003-5763	4.134	5.315	0.500
23	25003-5659	13.562	15.062	0.750	23	25003-5765	35.000	36.500	0.625
23	25003-5661	6.062	7.375	0.500	23	25003-5766	44.000	45.500	0.750
23	25003-5662	36.000	38.000	0.750	23	25003-5768	21.500	23.000	0.750
23	25003-5663	84.000	85.000	0.500	23	25003-5769	18.062	20.062	0.812
23	25003-5664	13.386	14.882	0.750	23	25003-5776	11.687	13.187	0.625
23	25003-5665	10.236	11.732	0.750	23	25003-5777	3.346	4.437	0.500
23	25003-5666	15.748	17.244	0.750	23	25003-5779	25.590	26.590	0.500
23	25003-5667	12.598	14.095	0.750	23	25003-5780	29.527	30.527	0.500
23	25003-5668	21.456	23.456	0.812	23	25003-5783	13.125	15.125	0.812
23	25003-5669	12.687	14.687	0.812	23	25003-5784	9.055	10.551	0.750
23	25003-5680	18.125	19.625	0.750	23	25003-5787	95.875	97.875	0.812
23	25003-5682	3.280	4.280	0.375	23	25003-5788	102.000	104.000	0.812
23	25003-5683	13.580	15.030	0.750	23	25003-5789	7.875	8.937	0.500
23	25003-5684	8.530	9.780	0.625	23	25003-5792	6.500	7.937	0.625
23	25003-5685	7.960	9.460	0.625	23	25003-5795	21.250	22.750	0.750
23	25003-5689	61.000	63.000	0.812	23	25003-5796	79.500	81.500	0.812
23	25003-5691	6.625	8.375	0.500	23	25003-5797	5.118	5.992	0.375
23	25003-5696	5.250	6.437	0.500	23	25003-5798	25.000	26.000	0.500
23	25003-5697	5.250	6.437	0.375	23	25003-5799	26.771	27.771	0.500
23	25003-5698	33.000	34.500	0.625	23	25003-5801	14.960	16.460	0.750
23	25003-5699	19.500	21.250	0.813	23	25003-5802	20.078	22.078	0.812
23	25003-5707	24.093	26.093	0.812	23	25003-5803	16.141	18.141	0.812
23	25003-5708	20.516	22.516	0.812	23	25003-5804	42.250	44.250	0.812
23	25003-5709	37.375	39.375	0.812	23	25003-5805	98.000	99.500	0.750
23	25003-5712	11.219	12.953	0.787	23	25003-5806	80.500	82.437	0.812
23	25003-5714	36.000	37.500	0.750	23	25003-5807	112.000	113.937	0.812
23	25003-5716	4.343	5.342	0.375	23	25003-5808	10.827	11.827	0.590
23	25003-5717	5.280	6.280	0.500	23	25003-5809	105.039	107.039	0.812
23	25003-5718	15.359	16.890	0.750	23	25003-5811	66.500	68.000	0.750
23	25003-5719	11.422	12.921	0.750	23	25003-5815	14.166	15.750	0.625
23	25003-5720	24.803	26.303	0.750	23	25003-5816	86.000	88.000	0.812
23	25003-5724	11.031	12.031	0.625	23	25003-5818	24.500	25.500	0.500
23	25003-5725	16.531	18.031	0.750	23	25003-5819	16.125	18.125	0.812
23	25003-5726	5.625	6.625	0.453	23	25003-5820	18.500	19.500	0.500
23	25003-5727	44.500	46.500	0.812	23	25003-5821	29.687	31.687	0.812
23	25003-5729	25.125	26.125	0.500	23	25003-5823	46.250	48.250	0.812
23	25003-5730	34.000	35.000	0.500	23	25003-5824	35.433	36.933	0.750
23	25003-5731	6.937	8.000	0.625	23	25003-5825	13.625	14.875	0.750
23	25003-5735	57.875	58.875	0.500	23	25003-5827	16.625	17.625	0.500
23	25003-5739	31.000	32.500	0.750	23	25003-5828	25.187	27.187	0.812
23	25003-5740	21.259	22.759	0.687	23	25003-5829	42.913	44.913	0.812
23	25003-5743	25.530	27.030	0.750	23	25003-5830	34.252	36.252	0.812
23	25003-5744	47.000	49.000	0.812	23	25003-5835	11.811	12.811	0.500
23	25003-5745	9.125	11.125	0.750	23	25003-5845	14.567	15.551	0.500
23	25003-5747	16.500	17.500	0.500	23	25003-5846	14.173	15.673	0.750
23	25003-5748	25.219	27.219	0.812	23	25003-5847	31.890	33.890	0.812
23	25003-5749	3.687	4.750	0.375	23	25003-5849	19.881	21.881	0.812
23	25003-5756	23.500	24.500	0.500	23	25003-5850	16.929	18.429	0.750

All dimensions are in inches. Preferred sizes are indicated with **bold** type face.

Sizes listed are for standard nitrile elements, except Models 25 and 62 which have PTFE elements. Other material available on inquiry only.

Garlock

Oil Seals by Model Number

MODEL NO	PART NO	SHAFT	BORE	WIDTH	MODEL NO	PART NO	SHAFT	BORE	WIDTH
23	25003-5851	11.471	13.471	0.750	23	25003-6000	7.875	9.056	0.375
23	25003-5852	9.448	10.948	0.750	23	25003-6015	4.500	5.375	0.500
23	25003-5860	27.952	29.952	0.812	23	25003-6016	7.812	9.312	0.750
23	25003-5861	5.511	6.692	0.625	23	25003-6052	4.134	5.118	0.512
23	25003-5862	10.629	12.251	0.625	23	25003-6059	40.000	42.000	0.812
23	25003-5863	28.750	29.750	0.500	23	25003-6067	9.750	10.750	0.500
23	25003-5865	15.750	17.500	0.812	23	25003-6068	28.125	29.250	0.500
23	25003-5867	16.125	17.125	0.500	23	25003-6079	19.250	21.250	0.812
23	25003-5872	3.937	4.875	0.500	23	25003-6084	4.656	6.031	0.500
23	25003-5873	41.000	42.500	0.750	23	25003-6087	10.937	12.437	0.625
23	25003-5874	13.779	15.709	0.787	23	25003-6092	9.062	11.062	0.750
23	25003-5877	17.250	19.250	0.750	23	25003-6102	3.125	4.125	0.437
23	25003-5878	11.614	13.114	0.750	23	25003-6107	33.500	35.500	0.812
23	25003-5879	27.125	29.625	0.750	23	25003-6111	3.937	5.062	0.500
23	25003-5880	4.875	5.938	0.500	23	25003-6121	3.250	4.125	0.437
23	25003-5881	10.629	12.119	0.750	23	25003-6128	3.312	4.250	0.437
23	25003-5882	11.417	13.417	0.750	23	25003-6129	3.937	5.000	0.469
23	25003-5885	36.000	37.000	0.500	23	25003-6130	76.500	78.500	0.812
23	25003-5890	8.750	9.875	0.625	23	25003-6132	18.375	19.875	0.750
23	25003-5894	25.750	27.000	0.625	23	25003-6136	5.187	6.437	0.625
23	25003-5895	27.969	29.969	0.812	23	25003-6142	4.125	5.500	0.438
23	25003-5900	5.250	6.250	0.437	23	25003-6143	33.750	35.750	0.812
23	25003-5901	9.937	10.937	0.500	23	25003-6147	5.062	6.375	0.562
23	25003-5902	58.500	60.500	0.812	23	25003-6150	5.562	6.750	0.500
23	25003-5903	23.625	25.125	0.750	23	25003-6163	7.000	8.375	0.500
23	25003-5904	19.687	21.187	0.750	23	25003-6164	5.875	6.875	0.437
23	25003-5905	47.250	49.250	0.812	23	25003-6165	6.000	7.000	0.437
23	25003-5906	10.000	12.000	0.687	23	25003-6168	13.000	14.825	0.812
23	25003-5910	8.859	10.359	0.750	23	25003-6172	6.625	8.125	0.687
23	25003-5913	3.937	5.000	0.500	23	25003-6175	7.250	8.250	0.437
23	25003-5916	8.500	10.500	0.625	23	25003-6178	4.937	6.437	0.750
23	25003-5917	12.750	14.500	0.750	23	25003-6182	7.375	8.375	0.437
23	25003-5919	24.000	26.000	0.812	23	25003-6185	7.750	8.750	0.437
23	25003-5931	5.312	6.812	0.500	23	25003-6190	8.937	10.187	0.625
23	25003-5933	3.562	4.812	0.500	23	25003-6191	22.062	24.062	0.812
23	25003-5934	10.500	11.750	0.625	23	25003-6198	5.125	6.125	0.437
23	25003-5935	35.000	37.000	0.812	23	25003-6199	6.875	8.000	0.437
23	25003-5936	21.625	23.625	0.812	23	25003-6201	9.750	11.160	0.588
23	25003-5939	12.875	14.375	0.750	23	25003-6202	23.000	24.000	0.500
23	25003-5942	12.750	14.250	0.750	23	25003-6204	8.250	9.250	0.437
23	25003-5946	14.375	15.875	0.750	23	25003-6205	3.937	5.312	0.500
23	25003-5952	9.000	10.500	0.500	23	25003-6210	8.687	9.938	0.750
23	25003-5953	12.406	13.906	0.750	23	25003-6213	4.750	5.750	0.375
23	25003-5957	10.236	11.486	0.625	23	25003-6214	9.500	10.500	0.437
23	25003-5958	11.023	12.023	0.625	23	25003-6216	10.187	11.188	0.500
23	25003-5959	3.875	4.843	0.484	23	25003-6219	10.125	11.375	0.625
23	25003-5960	9.500	11.500	0.687	23	25003-6229	6.687	7.687	0.500
23	25003-5961	9.842	11.467	0.750	23	25003-6237	39.000	41.000	0.812
23	25003-5964	17.719	18.901	0.578	23	25003-6238	11.187	12.188	0.500
23	25003-5983	17.125	19.125	0.812	23	25003-6247	8.250	9.750	0.500
23	25003-5984	13.469	14.468	0.500	23	25003-6250	3.741	5.240	0.500
23	25003-5990	14.750	16.500	0.687	23	25003-6251	7.250	8.750	0.500

All dimensions are in inches. Preferred sizes are indicated with **bold** type face. Sizes listed are for standard nitrile elements, except Models 25 and 62 which have PTFE elements. Other material available on inquiry only.

Oil Seals by Model Number

Garlock

MODEL NO	PART NO	SHAFT	BORE	WIDTH	MODEL NO	PART NO	SHAFT	BORE	WIDTH
23	25003-6253	12.187	13.688	0.625	23	25003-6384	8.500	9.750	0.625
23	25003-6258	6.937	8.062	0.500	23	25003-6386	8.750	10.000	0.625
23	25003-6263	13.250	14.750	0.625	23	25003-6387	9.000	10.000	0.500
23	25003-6264	13.250	15.250	0.750	23	25003-6388	9.500	10.500	0.500
23	25003-6268	42.500	43.500	0.500	23	25003-6389	9.625	11.625	0.750
23	25003-6273	8.937	9.968	0.500	23	25003-6390	9.750	11.000	0.500
23	25003-6276	73.000	75.000	0.812	23	25003-6391	10.000	11.000	0.500
23	25003-6283	14.687	16.187	0.625	23	25003-6392	5.125	6.125	0.422
23	25003-6285	3.500	4.375	0.500	23	25003-6393	11.000	12.125	0.547
23	25003-6291	22.000	23.750	0.812	23	25003-6394	11.000	12.500	0.750
23	25003-6297	30.375	32.375	0.812	23	25003-6395	11.000	13.000	0.750
23	25003-6298	4.062	5.125	0.469	23	25003-6396	12.750	14.750	0.750
23	25003-6303	14.000	15.500	0.625	23	25003-6397	16.250	18.250	0.812
23	25003-6305	18.625	19.875	0.750	23	25003-6398	16.750	18.750	0.750
23	25003-6315	49.000	50.500	0.562	23	25003-6399	18.000	20.000	0.812
23	25003-6321	25.750	26.875	0.625	23	25003-6400	20.000	22.000	0.812
23	25003-6324	14.000	15.750	0.500	23	25003-6401	22.000	24.000	0.812
23	25003-6328	11.875	13.375	0.750	23	25003-6402	7.125	8.250	0.469
23	25003-6332	26.500	28.500	0.812	23	25003-6403	29.500	31.500	0.812
23	25003-6334	8.812	10.312	0.500	23	25003-6404	30.000	31.125	0.500
23	25003-6335	24.437	26.437	0.812	23	25003-6405	32.500	33.625	0.500
23	25003-6337	23.625	25.625	0.812	23	25003-6406	36.000	38.000	0.812
23	25003-6348	45.000	47.000	0.812	23	25003-6407	42.000	44.000	0.812
23	25003-6351	2.937	3.937	0.500	23	25003-6408	18.500	20.500	0.812
23	25003-6353	15.785	17.785	0.812	23	25003-6409	4.000	5.265	0.500
23	25003-6355	3.437	4.437	0.500	23	25003-6410	4.437	5.687	0.500
23	25003-6356	3.250	4.250	0.375	23	25003-6416	10.875	12.875	0.812
23	25003-6357	3.437	4.687	0.500	23	25003-6419	25.000	27.000	0.812
23	25003-6358	3.500	4.500	0.375	23	25003-6420	34.500	36.500	0.812
23	25003-6359	3.625	4.625	0.375	23	25003-6423	9.000	10.125	0.547
23	25003-6360	4.000	5.000	0.375	23	25003-6424	70.000	72.000	0.812
23	25003-6361	4.250	5.375	0.406	23	25003-6426	19.750	21.750	0.812
23	25003-6362	4.437	5.437	0.500	23	25003-6428	10.625	12.625	0.812
23	25003-6363	4.500	5.500	0.375	23	25003-6431	4.750	5.875	0.562
23	25003-6364	4.687	5.812	0.500	23	25003-6441	12.208	13.703	0.750
23	25003-6365	5.000	6.000	0.375	23	25003-6449	12.500	13.875	0.437
23	25003-6366	5.250	6.750	0.750	23	25003-6450	6.250	7.250	0.437
23	25003-6367	5.437	6.687	0.625	23	25003-6453	5.000	6.500	0.375
23	25003-6368	5.625	7.125	0.750	23	25003-6455	15.625	17.125	0.750
23	25003-6370	6.500	8.000	0.500	23	25003-6464	3.812	4.812	0.500
23	25003-6371	6.562	7.562	0.500	23	25003-6471	2.750	3.750	0.500
23	25003-6372	6.750	7.750	0.500	23	25003-6473	38.500	40.500	0.812
23	25003-6373	6.937	7.937	0.500	23	25003-6474	5.750	6.968	0.500
23	25003-6374	7.000	8.000	0.500	23	25003-6483	26.000	28.000	0.812
23	25003-6375	7.000	8.500	0.500	23	25003-6484	12.125	14.125	0.750
23	25003-6376	7.250	8.250	0.500	23	25003-6485	5.062	6.062	0.500
23	25003-6377	7.250	8.500	0.500	23	25003-6491	4.812	5.812	0.500
23	25003-6378	7.500	8.500	0.500	23	25003-6492	7.875	8.875	0.500
23	25003-6379	7.750	8.750	0.500	23	25003-6504	10.937	12.937	0.750
23	25003-6380	8.000	9.000	0.500	23	25003-6508	19.000	21.000	0.812
23	25003-6382	8.250	9.250	0.500	23	25003-6510	8.000	9.250	0.500
23	25003-6383	8.500	9.500	0.500	23	25003-6512	45.125	47.125	0.812

All dimensions are in inches. Preferred sizes are indicated with **bold** type face.

Sizes listed are for standard nitrile elements, except Models 25 and 62 which have PTFE elements. Other material available on inquiry only.

Garlock

Oil Seals by Model Number

MODEL NO	PART NO	SHAFT	BORE	WIDTH	MODEL NO	PART NO	SHAFT	BORE	WIDTH
23	25003-6515	13.850	15.500	0.750	23	25003-6683	10.500	12.000	0.500
23	25003-6518	13.980	15.500	0.750	23	25003-6684	8.250	9.750	0.625
23	25003-6525	4.687	5.687	0.500	23	25003-6687	11.500	13.000	0.625
23	25003-6531	15.156	17.156	0.812	23	25003-6697	16.500	18.500	0.750
23	25003-6532	5.437	6.656	0.463	23	25003-6698	10.250	11.500	0.625
23	25003-6533	9.844	11.343	0.812	23	25003-6704	10.625	12.625	0.750
23	25003-6535	21.000	23.000	0.812	23	25003-6705	11.875	12.875	0.500
23	25003-6539	25.750	27.000	0.500	23	25003-6709	3.937	4.937	0.375
23	25003-6540	5.500	6.765	0.500	23	25003-6710	20.125	22.125	0.812
23	25003-6542	21.437	23.437	0.812	23	25003-6718	20.125	22.125	0.750
23	25003-6544	4.625	5.625	0.375	23	25003-6719	11.906	13.156	0.625
23	25003-6549	11.375	12.375	0.500	23	25003-6728	5.750	6.937	0.500
23	25003-6556	7.250	8.437	0.590	23	25003-6736	22.687	24.562	0.750
23	25003-6560	14.000	15.000	0.500	23	25003-6740	18.375	20.375	0.812
23	25003-6561	4.937	5.937	0.500	23	25003-6748	4.531	5.531	0.500
23	25003-6562	15.500	17.250	0.750	23	25003-6752	3.343	4.343	0.500
23	25003-6565	49.500	51.500	0.812	23	25003-6754	4.937	5.937	0.375
23	25003-6568	10.441	11.441	0.375	23	25003-6756	9.125	10.125	0.500
23	25003-6570	8.625	9.875	0.625	23	25003-6759	7.750	9.000	0.500
23	25003-6574	5.500	6.750	0.750	23	25003-6766	24.125	25.125	0.500
23	25003-6577	29.250	31.250	0.812	23	25003-6769	15.750	17.750	0.812
23	25003-6578	4.125	5.187	0.500	23	25003-6772	23.500	25.500	0.750
23	25003-6579	5.225	6.225	0.500	23	25003-6773	7.500	9.000	0.500
23	25003-6582	53.000	54.875	0.812	23	25003-6775	51.000	53.000	0.812
23	25003-6583	29.562	31.562	0.812	23	25003-6778	14.063	16.062	0.812
23	25003-6587	4.500	5.512	0.375	23	25003-6781	10.500	11.500	0.500
23	25003-6595	9.250	10.750	0.625	23	25003-6782	12.875	14.750	0.812
23	25003-6597	6.906	8.156	0.625	23	25003-6783	4.187	5.437	0.500
23	25003-6601	16.625	18.625	0.812	23	25003-6786	28.000	30.000	0.812
23	25003-6602	6.125	7.625	0.625	23	25003-6789	120.062	122.062	0.812
23	25003-6609	32.000	33.125	0.500	23	25003-6791	19.606	21.575	0.812
23	25003-6615	17.750	19.250	0.750	23	25003-6797	8.937	10.000	0.500
23	25003-6616	4.063	5.312	0.500	23	25003-6801	4.500	5.937	0.500
23	25003-6618	15.250	17.250	0.625	23	25003-6803	28.750	30.750	0.812
23	25003-6619	3.750	4.875	0.375	23	25003-6805	32.750	34.750	0.812
23	25003-6621	11.500	12.750	0.500	23	25003-6807	21.500	22.750	0.750
23	25003-6622	5.375	6.375	0.375	23	25003-6808	10.000	11.250	0.625
23	25003-6625	4.125	5.125	0.375	23	25003-6809	22.812	24.812	0.812
23	25003-6626	17.125	18.625	0.750	23	25003-6812	17.322	18.822	0.750
23	25003-6638	4.920	6.125	0.437	23	25003-6813	8.875	9.875	0.500
23	25003-6646	8.875	10.875	0.750	23	25003-6815	12.562	14.062	0.750
23	25003-6647	7.875	9.125	0.500	23	25003-6817	6.500	7.750	0.500
23	25003-6648	9.375	10.625	0.625	23	25003-6818	6.690	7.940	0.625
23	25003-6653	59.750	60.750	0.500	23	25003-6819	26.815	28.815	0.812
23	25003-6657	16.250	18.250	0.750	23	25003-6820	4.331	5.831	0.500
23	25003-6664	9.625	10.875	0.500	23	25003-6821	16.000	17.750	0.750
23	25003-6669	9.500	10.625	0.500	23	25003-6822	36.750	38.750	0.812
23	25003-6671	48.000	50.000	0.812	23	25003-6823	25.196	26.696	0.750
23	25003-6672	11.250	12.500	0.625	23	25003-6826	11.750	13.500	0.750
23	25003-6676	9.250	10.250	0.500	23	25003-6827	8.750	9.750	0.500
23	25003-6677	30.750	31.750	0.500	23	25003-6829	12.250	14.250	0.750
23	25003-6682	9.625	11.125	0.500	23	25003-6830	20.472	21.972	0.750

All dimensions are in inches. Preferred sizes are indicated with **bold** type face. Sizes listed are for standard nitrile elements, except Models 25 and 62 which have PTFE elements. Other material available on inquiry only.

Oil Seals by Model Number

Garlock

MODEL NO	PART NO	SHAFT	BORE	WIDTH	MODEL NO	PART NO	SHAFT	BORE	WIDTH
23	25003-6836	11.750	13.750	0.750	23	25003-6964	11.023	12.023	0.500
23	25003-6839	3.250	4.250	0.437	23	25003-6965	24.625	25.875	0.562
23	25003-6840	11.687	13.250	0.625	23	25003-6967	17.250	18.750	0.750
23	25003-6841	7.078	8.578	0.625	23	25003-6972	21.750	23.750	0.812
23	25003-6844	7.875	9.000	0.500	23	25003-6973	7.874	9.875	0.625
23	25003-6845	8.750	10.250	0.500	23	25003-6982	6.102	7.102	0.500
23	25003-6849	30.000	32.000	0.812	23	25003-6984	16.375	17.375	0.500
23	25003-6851	4.312	5.187	0.375	23	25003-6987	24.500	26.250	0.812
23	25003-6853	21.500	23.000	0.625	23	25003-6989	58.000	60.000	0.750
23	25003-6861	7.250	8.250	0.375	23	25003-6991	9.448	10.448	0.500
23	25003-6862	3.125	4.250	0.375	23	25003-6992	4.331	5.905	0.625
23	25003-6863	32.986	33.986	0.500	23	25003-6994	14.760	16.339	0.630
23	25003-6867	6.299	7.549	0.625	23	25003-6998	25.750	27.250	0.750
23	25003-6868	3.000	4.125	0.375	23	25003-7010	10.236	11.811	0.630
23	25003-6870	4.125	5.000	0.500	23	25003-7015	63.500	65.500	0.812
23	25003-6873	15.750	16.750	0.500	23	25003-7018	48.875	50.875	0.812
23	25003-6877	14.000	16.000	0.750	23	25003-7019	13.622	15.122	0.750
23	25003-6878	16.125	18.125	0.750	23	25003-7036	3.937	4.812	0.375
23	25003-6879	23.500	25.500	0.812	23	25003-7039	29.375	31.375	0.812
23	25003-6882	10.375	11.875	0.500	23	25003-7043	17.406	18.406	0.500
23	25003-6883	15.125	17.125	0.625	23	25003-7053	11.625	12.625	0.500
23	25003-6885	43.500	45.000	0.750	23	25003-7059	18.500	20.500	0.750
23	25003-6886	26.437	28.437	0.812	23	25003-7063	6.781	8.031	0.625
23	25003-6889	45.747	47.516	0.787	23	25003-7075	3.437	4.437	0.375
23	25003-6890	6.750	7.875	0.500	23	25003-7091	15.750	16.875	0.625
23	25003-6891	39.000	40.747	0.787	23	25003-7098	22.812	24.312	0.750
23	25003-6894	33.464	35.236	0.787	23	25003-7101	8.500	10.500	0.750
23	25003-6896	3.740	4.740	0.500	23	25003-7102	49.250	51.250	0.812
23	25003-6897	6.625	7.625	0.500	23	25003-7105	11.937	13.938	0.812
23	25003-6905	80.000	82.000	0.812	23	25003-7106	53.543	55.543	0.812
23	25003-6907	29.906	31.906	0.812	23	25003-7107	29.134	31.134	0.812
23	25003-6908	34.500	36.000	0.750	23	25003-7108	7.875	9.125	0.375
23	25003-6910	23.250	25.250	0.812	23	25003-7117	5.906	7.410	0.625
23	25003-6915	65.000	67.000	0.812	23	25003-7119	24.015	25.984	0.812
23	25003-6918	25.500	27.500	0.750	23	25003-7123	4.063	5.062	0.500
23	25003-6919	4.375	5.875	0.375	23	25003-7124	5.375	6.875	0.750
23	25003-6922	6.281	7.281	0.375	23	25003-7127	16.535	18.035	0.750
23	25003-6923	3.562	4.625	0.375	23	25003-7129	4.187	5.375	0.470
23	25003-6924	5.750	7.000	0.375	23	25003-7131	22.000	23.000	0.500
23	25003-6926	7.875	9.281	0.750	23	25003-7132	5.312	6.312	0.500
23	25003-6932	11.811	13.311	0.750	23	25003-7133	7.937	9.437	0.750
23	25003-6933	16.929	17.929	0.500	23	25003-7134	101.250	103.250	0.812
23	25003-6935	10.625	12.000	0.750	23	25003-7135	12.625	13.875	0.625
23	25003-6939	5.000	6.500	0.750	23	25003-7137	96.620	98.620	0.812
23	25003-6940	26.000	27.125	0.500	23	25003-7138	34.000	36.000	0.812
23	25003-6943	8.812	9.812	0.500	23	25003-7139	23.375	25.375	0.812
23	25003-6944	33.250	35.250	0.812	23	25003-7144	3.071	4.071	0.500
23	25003-6947	33.000	34.125	0.500	23	25003-7147	10.125	11.500	0.750
23	25003-6951	6.875	8.000	0.500	23	25003-7148	20.750	22.750	0.812
23	25003-6957	4.328	5.203	0.375	23	25003-7149	14.500	16.000	0.625
23	25003-6958	33.000	34.937	0.812	23	25003-7157	8.250	9.750	0.750
23	25003-6960	3.750	4.812	0.500	23	25003-7161	30.500	32.500	0.750

All dimensions are in inches. Preferred sizes are indicated with **bold** type face.

Sizes listed are for standard nitrile elements, except Models 25 and 62 which have PTFE elements. Other material available on inquiry only.

Garlock

Oil Seals by Model Number

MODEL NO	PART NO	SHAFT	BORE	WIDTH	MODEL NO	PART NO	SHAFT	BORE	WIDTH
23	25003-7162	23.250	24.750	0.750	23	25003-7362	5.687	6.937	0.500
23	25003-7163	25.250	26.750	0.750	23	25003-7367	7.625	8.625	0.500
23	25003-7172	5.750	6.750	0.437	23	25003-7374	3.250	4.250	0.500
23	25003-7175	13.750	14.750	0.500	23	25003-7376	4.724	5.910	0.472
23	25003-7180	7.500	8.750	0.500	23	25003-7378	6.937	8.437	0.500
23	25003-7195	20.187	22.187	0.812	23	25003-7379	13.875	15.375	0.750
23	25003-7196	20.472	22.244	0.812	23	25003-7383	5.512	6.693	0.551
23	25003-7199	42.500	44.500	0.750	23	25003-7387	32.500	34.500	0.812
23	25003-7200	24.750	26.750	0.812	23	25003-7388	7.874	9.055	0.591
23	25003-7204	11.000	12.625	0.750	23	25003-7389	3.750	4.750	0.375
23	25003-7205	4.500	5.625	0.375	23	25003-7391	11.024	12.598	0.787
23	25003-7206	31.750	32.750	0.500	23	25003-7394	3.346	4.724	0.472
23	25003-7212	20.000	22.000	0.750	23	25003-7396	4.331	5.512	0.472
23	25003-7213	3.125	3.875	0.375	23	25003-7407	21.500	23.500	0.812
23	25003-7214	5.937	7.437	0.750	23	25003-7412	31.000	33.000	0.812
23	25003-7219	11.500	13.000	0.500	23	25003-7413	18.000	19.750	0.812
23	25003-7221	5.118	6.299	0.511	23	25003-7414	23.375	24.875	0.750
23	25003-7227	50.000	51.000	0.500	23	25003-7416	3.937	5.437	0.500
23	25003-7239	15.375	16.875	0.750	23	25003-7424	67.000	68.500	0.750
23	25003-7243	20.437	22.062	0.812	23	25003-7425	15.937	17.937	0.750
23	25003-7244	33.000	35.000	0.812	23	25003-7426	3.150	4.331	0.472
23	25003-7250	12.062	13.562	0.750	23	25003-7431	15.500	17.500	0.750
23	25003-7251	27.500	29.500	0.812	23	25003-7432	10.625	11.875	0.625
23	25003-7253	3.500	5.000	0.500	23	25003-7437	11.365	12.625	0.625
23	25003-7263	11.500	12.750	0.625	23	25003-7438	3.437	4.437	0.437
23	25003-7264	6.250	7.687	0.625	23	25003-7441	32.000	34.000	0.812
23	25003-7267	5.512	6.693	0.591	23	25003-7442	15.750	17.500	0.750
23	25003-7268	6.693	7.874	0.591	23	25003-7443	7.437	8.500	0.625
23	25003-7271	4.528	5.512	0.472	23	25003-7444	5.687	7.000	0.625
23	25003-7274	6.875	8.125	0.500	23	25003-7446	20.032	21.654	0.812
23	25003-7275	5.812	6.937	0.500	23	25003-7447	9.437	10.625	0.625
23	25003-7276	6.299	7.480	0.591	23	25003-7449	4.331	5.541	0.500
23	25003-7279	12.625	14.625	0.750	23	25003-7464	3.740	4.990	0.500
23	25003-7281	18.898	20.472	0.787	23	25003-7468	3.469	4.500	0.625
23	25003-7284	22.834	24.334	0.750	23	25003-7469	24.500	25.625	0.625
23	25003-7288	10.433	11.683	0.625	23	25003-7470	39.500	40.500	0.500
23	25003-7291	94.000	96.000	0.812	23	25003-7472	6.188	7.500	0.625
23	25003-7298	5.937	6.937	0.500	23	25003-7481	5.937	7.187	0.625
23	25003-7306	12.000	13.250	0.625	23	25003-7482	4.331	5.250	0.375
23	25003-7320	7.667	9.055	0.591	23	25003-7487	18.000	19.000	0.500
23	25003-7321	6.437	7.437	0.500	23	25003-7489	22.500	24.500	0.812
23	25003-7322	9.062	10.062	0.500	23	25003-7507	5.800	6.800	0.500
23	25003-7323	13.375	14.875	0.750	23	25003-7539	15.250	17.250	0.750
23	25003-7325	29.906	30.906	0.500	23	25003-7543	47.375	48.875	0.750
23	25003-7331	29.000	31.000	0.812	23	25003-7544	60.000	61.500	0.750
23	25003-7334	98.750	100.750	0.812	23	25003-7547	13.000	14.750	0.750
23	25003-7336	8.875	10.375	0.750	23	25003-7548	38.000	39.500	0.750
23	25003-7340	27.000	29.000	0.812	23	25003-7550	40.250	41.750	0.750
23	25003-7344	8.375	9.500	0.625	23	25003-7570	12.125	13.625	0.750
23	25003-7352	24.250	26.250	0.812	23	25003-7577	8.000	9.125	0.500
23	25003-7355	31.750	33.750	0.812	23	25003-7578	3.500	4.750	0.375
23	25003-7356	22.625	24.625	0.812	23	25003-7583	76.000	78.000	0.812

All dimensions are in inches. Preferred sizes are indicated with **bold** type face. Sizes listed are for standard nitrile elements, except Models 25 and 62 which have PTFE elements. Other material available on inquiry only.

Oil Seals by Model Number

Garlock

MODEL NO	PART NO	SHAFT	BORE	WIDTH	MODEL NO	PART NO	SHAFT	BORE	WIDTH
23	25003-7587	4.734	5.984	0.500	23	25003-7740	7.125	8.250	0.500
23	25003-7588	10.187	11.437	0.625	23	25003-7744	7.750	8.938	0.625
23	25003-7589	17.525	18.525	0.500	23	25003-7746	3.875	4.750	0.375
23	25003-7590	4.250	5.250	0.375	23	25003-7751	38.000	39.000	0.500
23	25003-7591	3.312	4.312	0.375	23	25003-7752	40.250	41.250	0.500
23	25003-7592	15.565	16.565	0.500	23	25003-7755	50.500	52.500	0.812
23	25003-7593	23.000	24.250	0.750	23	25003-7756	71.250	73.250	0.812
23	25003-7594	23.750	25.250	0.750	23	25003-7758	8.000	9.500	0.500
23	25003-7595	4.311	5.331	0.500	23	25003-7764	9.642	10.642	0.500
23	25003-7596	2.937	3.937	0.375	23	25003-7768	29.973	31.973	0.687
23	25003-7597	6.312	7.312	0.625	23	25003-7771	6.500	7.687	0.625
23	25003-7598	10.750	11.750	0.500	23	25003-7773	30.250	32.250	0.812
23	25003-7600	12.750	13.750	0.500	23	25003-7785	56.250	58.125	0.812
23	25003-7601	16.000	17.406	0.609	23	25003-7789	6.187	7.187	0.500
23	25003-7602	13.125	15.125	0.750	23	25003-7795	4.750	6.000	0.375
23	25003-7606	11.000	12.500	0.375	23	25003-7801	15.250	16.750	0.750
23	25003-7617	8.812	10.312	0.750	23	25003-7804	8.687	9.937	0.625
23	25003-7618	18.250	20.250	0.812	23	25003-7805	13.000	14.500	0.625
23	25003-7621	9.875	10.875	0.500	23	25003-7807	7.086	8.267	0.591
23	25003-7624	87.000	89.000	0.812	23	25003-7811	7.187	8.686	0.625
23	25003-7625	17.500	19.500	0.750	23	25003-7812	7.187	8.187	0.500
23	25003-7634	6.109	7.094	0.492	23	25003-7813	36.500	38.500	0.812
23	25003-7637	9.448	10.433	0.492	23	25003-7814	15.187	17.187	0.750
23	25003-7639	11.500	12.375	0.375	23	25003-7816	6.229	7.480	0.511
23	25003-7640	9.250	10.125	0.375	23	25003-7817	49.625	50.875	0.562
23	25003-7641	37.402	38.902	0.750	23	25003-7820	43.562	45.562	1.000
23	25003-7642	3.375	4.250	0.500	23	25003-7821	4.437	5.812	0.500
23	25003-7643	69.000	71.000	0.812	23	25003-7822	20.236	22.236	0.812
23	25003-7644	31.500	33.500	0.812	23	25003-7825	49.250	51.125	0.812
23	25003-7646	25.437	27.187	0.750	23	25003-7827	43.000	45.000	0.812
23	25003-7647	5.937	7.187	0.500	23	25003-7830	49.500	51.250	0.812
23	25003-7655	28.500	30.500	0.812	23	25003-7831	9.250	10.625	0.750
23	25003-7656	3.187	4.187	0.375	23	25003-7832	11.250	12.750	0.625
23	25003-7658	31.406	32.992	0.750	23	25003-7833	2.937	3.687	0.375
23	25003-7661	7.937	8.937	0.500	23	25003-7834	8.437	9.687	0.625
23	25003-7674	7.062	8.062	0.500	23	25003-7835	9.625	10.500	0.500
23	25003-7679	25.196	27.196	0.812	23	25003-7836	4.724	6.299	0.472
23	25003-7682	3.125	4.250	0.625	23	25003-7838	23.000	25.000	0.812
23	25003-7695	35.500	37.500	1.000	23	25003-7839	3.543	4.724	0.472
23	25003-7696	86.417	88.417	0.812	23	25003-7841	3.312	4.312	0.500
23	25003-7699	26.125	28.125	0.812	23	25003-7847	7.437	8.437	0.500
23	25003-7700	18.500	19.875	0.750	23	25003-7857	4.812	5.937	0.375
23	25003-7704	14.000	15.375	0.531	23	25003-7858	15.750	17.250	0.562
23	25003-7708	15.312	17.312	0.812	23	25003-7859	25.250	27.250	0.812
23	25003-7709	10.629	11.629	0.409	23	25003-7863	38.000	40.000	0.812
23	25003-7710	26.000	28.000	0.750	23	25003-7866	30.800	31.800	0.500
23	25003-7714	23.110	24.610	0.750	23	25003-7867	4.937	6.437	0.500
23	25003-7716	11.000	12.500	0.500	23	25003-7869	8.125	9.187	0.500
23	25003-7719	6.187	7.437	0.500	23	25003-7871	81.000	83.000	0.812
23	25003-7726	6.063	7.062	0.500	23	25003-7874	11.732	12.606	0.375
23	25003-7735	12.205	13.205	0.500	23	25003-7875	36.500	38.438	0.812
23	25003-7736	10.000	11.125	0.547	23	25003-7878	11.029	12.029	0.375

All dimensions are in inches. Preferred sizes are indicated with **bold** type face.

Sizes listed are for standard nitrile elements, except Models 25 and 62 which have PTFE elements. Other material available on inquiry only.

Garlock

Oil Seals by Model Number

MODEL NO	PART NO	SHAFT	BORE	WIDTH	MODEL NO	PART NO	SHAFT	BORE	WIDTH
23	25003-7881	27.562	29.562	0.812	23	25003-8279	76.250	78.250	0.812
23	25003-7882	6.688	7.937	0.625	23	25003-8281	14.875	16.375	0.750
23	25003-7889	9.625	10.625	0.500	23	25003-8285	23.125	24.625	0.618
23	25003-7891	9.448	11.023	0.629	23	25003-8287	11.625	13.125	0.750
23	25003-7893	11.811	13.386	0.630	23	25003-8295	16.750	18.250	0.750
23	25003-7898	14.214	16.214	0.812	23	25003-8299	18.898	20.866	0.787
23	25003-7899	25.750	26.875	0.547	23	25003-8313	9.625	10.875	0.625
23	25003-7900	28.375	29.500	0.500	23	25003-8315	11.750	13.750	0.812
23	25003-7911	60.000	62.000	0.812	23	25003-8324	64.000	66.000	0.812
23	25003-7924	6.437	7.687	0.625	23	25003-8332	13.187	14.187	0.500
23	25003-7941	3.000	3.937	0.375	23	25003-8334	10.500	11.750	0.500
23	25003-7969	13.312	15.312	0.812	23	25003-8385	2.937	4.000	0.375
23	25003-7979	3.937	5.118	0.500	23	25003-8388	9.500	11.000	0.500
23	25003-8043	27.000	28.000	0.500	23	25003-8402	4.812	5.812	0.375
23	25003-8049	7.480	8.661	0.591	23	25003-8418	8.187	9.187	0.500
23	25003-8058	53.000	55.000	0.812	23	25003-8420	7.874	9.448	0.629
23	25003-8103	27.250	29.250	0.812	23	25003-8421	20.000	21.000	0.500
23	25003-8108	23.875	24.875	0.500	23	25003-8429	3.543	4.724	0.500
23	25003-8115	12.875	14.875	0.750	23	25003-8433	6.875	7.875	0.500
23	25003-8119	14.750	16.250	0.625	23	25003-8434	7.000	8.406	0.588
23	25003-8122	32.687	34.687	0.812	23	25003-8444	4.437	5.687	0.625
23	25003-8123	15.000	16.750	0.812	23	25003-8445	6.692	8.192	0.750
23	25003-8134	6.875	8.125	0.562	23	25003-8446	19.500	21.500	0.812
23	25003-8137	5.125	6.625	0.750	23	25003-8447	9.437	10.687	0.625
23	25003-8139	24.250	25.250	0.500	23	25003-8451	8.250	9.500	0.500
23	25003-8140	9.960	10.834	0.375	23	25003-8452	8.375	9.875	0.500
23	25003-8142	8.750	10.250	0.625	23	25003-8455	4.562	5.812	0.500
23	25003-8159	3.687	4.937	0.500	23	25003-8468	23.187	25.187	0.812
23	25003-8171	6.500	7.874	0.472	23	25003-8476	17.500	19.250	0.625
23	25003-8172	36.460	38.460	0.812	23	25003-8481	8.858	9.842	0.492
23	25003-8175	8.125	9.125	0.500	23	25003-8483	3.937	4.906	0.484
23	25003-8177	8.875	10.375	0.500	23	25003-8488	2.937	3.906	0.484
23	25003-8179	9.250	10.750	0.500	23	25003-8490	4.437	5.890	0.484
23	25003-8189	8.469	9.968	0.750	23	25003-8494	9.000	10.500	0.609
23	25003-8190	27.750	29.750	0.812	23	25003-8504	16.535	18.110	0.787
23	25003-8191	17.250	19.250	0.812	23	25003-8509	39.750	41.750	0.812
23	25003-8194	6.312	7.312	0.500	23	25003-8511	12.906	14.906	0.750
23	25003-8198	50.000	52.000	0.875	23	25003-8512	22.250	24.250	0.812
23	25003-8200	35.437	37.437	0.812	23	25003-8525	11.811	13.543	0.807
23	25003-8210	45.250	47.125	0.812	23	25003-8526	22.750	24.750	0.812
23	25003-8215	5.187	6.437	0.500	23	25003-8534	4.437	5.875	0.375
23	25003-8223	8.500	10.375	0.625	23	25003-8543	4.438	5.875	0.375
23	25003-8228	47.750	49.750	0.812	23	25003-8549	32.125	33.625	0.625
23	25003-8229	12.500	13.750	0.625	23	25003-8550	32.250	33.625	0.625
23	25003-8233	3.250	4.249	0.375	23	25003-8559	11.562	13.062	0.750
23	25003-8234	8.187	9.312	0.500	23	25003-8560	8.500	10.500	0.500
23	25003-8242	4.724	5.905	0.433	23	25003-8563	66.000	68.000	0.812
23	25003-8252	7.500	8.375	0.500	23	25003-8565	10.500	11.750	0.750
23	25003-8261	12.795	13.669	0.375	23	25003-8567	6.625	8.000	0.500
23	25003-8265	8.260	9.142	0.375	23	25003-8575	5.437	6.937	0.625
23	25003-8271	14.875	16.875	0.812	23	25003-8576	13.000	14.000	0.500
23	25003-8276	2.344	3.219	0.625	23	25003-8578	7.812	8.812	0.500

All dimensions are in inches. Preferred sizes are indicated with **bold** type face. Sizes listed are for standard nitrile elements, except Models 25 and 62 which have PTFE elements. Other material available on inquiry only.

Oil Seals by Model Number

Garlock

MODEL NO	PART NO	SHAFT	BORE	WIDTH	MODEL NO	PART NO	SHAFT	BORE	WIDTH
23	25003-8580	7.187	8.639	0.625	23	25003-8847	15.812	17.437	0.812
23	25003-8583	8.500	9.375	0.500	23	25003-8848	19.937	21.187	0.625
23	25003-8586	3.206	4.250	0.500	23	25003-8850	14.000	15.250	0.750
23	25003-8588	30.000	31.125	0.562	23	25003-8861	15.250	16.625	0.531
23	25003-8589	12.500	14.062	0.750	23	25003-8865	74.000	76.000	0.812
23	25003-8592	3.875	4.875	0.437	23	25003-8869	20.500	21.500	0.500
23	25003-8606	8.661	10.236	0.630	23	25003-8872	66.500	69.000	0.812
23	25003-8607	9.843	11.417	0.630	23	25003-8874	10.937	12.500	0.625
23	25003-8614	4.625	6.077	0.484	23	25003-8888	14.750	16.125	0.687
23	25003-8618	66.500	68.500	0.812	23	25003-8905	2.362	3.112	0.375
23	25003-8620	13.500	15.000	0.625	23	25003-8934	30.500	32.500	0.812
23	25003-8623	8.469	9.968	0.500	23	25003-8946	21.250	22.250	0.500
23	25003-8629	4.937	6.000	0.375	23	25003-8957	4.000	5.125	0.375
23	25003-8634	19.685	21.685	0.812	23	25003-8962	11.500	12.500	0.375
23	25003-8639	3.687	4.687	0.375	23	25003-8980	30.000	31.250	0.500
23	25003-8654	6.187	7.437	0.625	23	25003-8981	16.625	18.125	0.750
23	25003-8655	10.630	12.205	0.630	23	25003-8998	12.500	13.906	0.750
23	25003-8656	13.779	15.354	0.630	23	25003-8999	13.895	15.750	0.750
23	25003-8657	5.250	6.250	0.750	23	25003-9015	3.469	4.500	0.500
23	25003-8658	21.875	23.875	0.812	23	25003-9017	5.750	7.250	0.750
23	25003-8665	8.500	10.000	0.500	23	25003-9021	6.437	7.937	0.750
23	25003-8684	36.500	38.250	0.812	23	25003-9022	8.562	10.062	0.750
23	25003-8689	24.500	26.500	0.812	23	25003-9023	6.000	7.125	0.719
23	25003-8691	18.000	19.500	0.812	23	25003-9025	25.750	26.875	0.562
23	25003-8693	3.343	4.343	0.375	23	25003-9031	5.937	7.687	0.625
23	25003-8695	18.504	20.472	0.741	23	25003-9056	3.375	4.375	0.375
23	25003-8699	6.693	7.943	0.625	23	25003-9057	9.937	11.500	0.750
23	25003-8701	13.386	14.886	0.750	23	25003-9060	4.125	5.250	0.375
23	25003-8702	15.748	17.480	0.662	23	25003-9065	7.519	9.019	0.750
23	25003-8705	16.535	18.504	0.741	23	25003-9077	16.000	17.000	0.500
23	25003-8709	8.500	9.875	0.750	23	25003-9085	4.437	5.937	0.500
23	25003-8713	15.748	17.748	0.750	23	25003-9089	3.750	5.000	0.375
23	25003-8719	19.125	21.125	0.812	23	25003-9090	25.500	27.500	0.812
23	25003-8721	1.750	2.656	0.625	23	25003-9094	11.500	12.500	0.500
23	25003-8741	14.500	15.500	0.500	23	25003-9099	6.062	7.312	0.625
23	25003-8748	68.000	70.000	0.812	23	25003-9104	3.687	4.687	0.500
23	25003-8750	67.000	69.000	0.812	23	25003-9114	17.000	18.125	0.562
23	25003-8753	9.437	10.437	0.500	23	25003-9115	19.000	21.000	0.750
23	25003-8761	11.000	12.000	0.375	23	25003-9116	14.500	16.500	0.625
23	25003-8768	4.133	5.118	0.472	23	25003-9132	4.500	6.000	0.375
23	25003-8773	25.625	26.750	0.500	23	25003-9133	10.375	11.625	0.625
23	25003-8776	8.375	9.625	0.500	23	25003-9142	5.875	7.375	0.750
23	25003-8780	17.000	18.250	0.625	23	25003-9143	4.312	5.312	0.500
23	25003-8783	9.500	10.750	0.500	23	25003-9144	4.331	5.500	0.437
23	25003-8790	3.938	4.906	0.500	23	25003-9145	9.937	11.437	0.750
23	25003-8802	82.677	84.645	0.812	23	25003-9146	8.688	9.687	0.500
23	25003-8803	3.543	4.527	0.491	23	25003-9148	12.000	13.937	0.812
23	25003-8804	12.000	13.000	0.500	23	25003-9149	11.000	12.875	0.812
23	25003-8805	8.062	9.062	0.463	23	25003-9151	8.937	9.937	0.500
23	25003-8838	9.062	10.500	0.750	23	25003-9154	25.000	27.000	0.750
23	25003-8841	10.000	11.437	0.750	23	25003-9156	31.750	33.750	0.750
23	25003-8846	9.562	11.062	0.625	23	25003-9158	5.512	6.692	0.500

All dimensions are in inches. Preferred sizes are indicated with **bold** type face.

Sizes listed are for standard nitrile elements, except Models 25 and 62 which have PTFE elements. Other material available on inquiry only.

Garlock

Oil Seals by Model Number

MODEL NO	PART NO	SHAFT	BORE	WIDTH	MODEL NO	PART NO	SHAFT	BORE	WIDTH
23	25003-9162	2.559	3.543	0.375	23	25003-9282	24.500	26.000	0.750
23	25003-9163	14.875	16.875	0.500	23	25003-9284	3.937	4.724	0.500
23	25003-9172	9.250	11.250	0.625	23	25003-9285	16.250	18.000	0.812
23	25003-9173	22.937	24.937	0.812	23	25003-9286	16.225	17.725	0.750
23	25003-9174	3.750	4.625	0.375	23	25003-9287	14.013	15.513	0.750
23	25003-9175	5.315	6.693	0.472	23	25003-9288	31.000	32.500	0.562
23	25003-9181	15.000	17.000	0.625	23	25003-9289	64.500	66.500	0.812
23	25003-9182	14.173	15.748	0.748	23	25003-9290	68.000	70.000	0.750
23	25003-9184	8.000	9.438	0.500	23	25003-9295	9.187	10.687	0.750
23	25003-9185	6.437	7.375	0.500	23	25003-9296	16.350	17.350	0.500
23	25003-9188	43.125	44.625	0.750	23	25003-9298	3.875	5.000	0.375
23	25003-9190	3.740	4.724	0.472	23	25003-9300	9.625	11.125	0.625
23	25003-9197	5.812	6.812	0.500	23	25003-9301	12.375	13.875	0.625
23	25003-9200	39.250	41.250	0.812	23	25003-9303	16.875	18.875	0.812
23	25003-9201	9.000	10.000	0.437	23	25003-9305	25.750	26.875	0.750
23	25003-9202	52.250	54.125	0.812	23	25003-9310	61.250	62.250	0.500
23	25003-9203	8.625	10.625	0.812	23	25003-9312	21.260	23.260	0.812
23	25003-9204	4.375	5.375	0.375	23	25003-9313	24.750	25.750	0.500
23	25003-9205	32.250	34.250	0.812	23	25003-9314	37.000	38.000	0.500
23	25003-9207	8.500	9.750	0.750	23	25003-9315	17.332	18.832	0.750
23	25003-9210	8.625	9.875	0.500	23	25003-9316	13.779	15.279	0.750
23	25003-9212	32.375	33.625	0.500	23	25003-9317	9.774	11.024	0.500
23	25003-9217	6.500	7.875	0.750	23	25003-9322	89.000	91.000	0.812
23	25003-9219	36.625	38.625	0.812	23	25003-9323	110.500	112.500	0.812
23	25003-9225	29.527	31.125	0.750	23	25003-9324	37.000	39.000	0.812
23	25003-9230	3.000	4.062	0.375	23	25003-9325	25.590	27.090	0.750
23	25003-9232	6.125	7.000	0.500	23	25003-9327	57.375	58.875	0.750
23	25003-9236	60.000	62.000	0.750	23	25003-9331	13.375	14.375	0.500
23	25003-9238	42.375	44.375	0.750	23	25003-9334	23.067	24.954	0.812
23	25003-9242	8.661	9.911	0.500	23	25003-9335	35.375	37.375	0.812
23	25003-9243	8.661	9.911	0.625	23	25003-9338	17.375	18.875	0.750
23	25003-9244	7.062	8.562	0.500	23	25003-9339	30.000	31.000	0.500
23	25003-9245	6.032	7.312	0.500	23	25003-9340	7.687	9.187	0.750
23	25003-9248	33.937	35.468	0.812	23	25003-9344	65.250	67.250	0.812
23	25003-9251	5.312	6.937	0.500	23	25003-9348	32.187	34.187	0.812
23	25003-9253	9.687	11.187	0.750	23	25003-9349	19.187	21.187	0.812
23	25003-9254	14.750	16.750	0.750	23	25003-9371	23.250	25.250	0.750
23	25003-9255	13.000	14.750	0.500	23	25003-9372	4.969	6.375	0.500
23	25003-9256	13.375	15.375	0.812	23	25003-9374	6.500	7.500	0.437
23	25003-9258	13.125	14.625	0.750	23	25003-9375	27.375	29.375	0.812
23	25003-9260	9.625	11.125	0.750	23	25003-9382	25.625	26.625	0.500
23	25003-9261	17.500	18.500	0.500	23	25003-9383	24.812	26.812	0.812
23	25003-9262	7.062	8.062	0.625	23	25003-9384	10.250	11.250	0.625
23	25003-9266	25.875	27.875	0.812	23	25003-9389	5.000	6.000	0.437
23	25003-9267	8.375	10.375	0.750	23	25003-9391	21.250	23.250	0.812
23	25003-9268	4.984	6.234	0.500	23	25003-9392	20.827	22.827	0.812
23	25003-9269	93.000	95.000	0.812	23	25003-9394	55.000	56.500	0.750
23	25003-9272	9.937	11.187	0.625	23	25003-9395	53.500	55.000	0.750
23	25003-9273	17.125	18.125	0.500	23	25003-9396	12.437	14.000	0.750
23	25003-9275	5.196	6.299	0.500	23	25003-9403	48.000	49.500	0.750
23	25003-9276	20.875	22.875	0.812	23	25003-9404	6.750	8.250	0.500
23	25003-9279	15.125	16.125	0.375	23	25003-9420	27.750	28.875	0.562

All dimensions are in inches. Preferred sizes are indicated with **bold** type face. Sizes listed are for standard nitrile elements, except Models 25 and 62 which have PTFE elements. Other material available on inquiry only.

Oil Seals by Model Number

Garlock

MODEL NO	PART NO	SHAFT	BORE	WIDTH	MODEL NO	PART NO	SHAFT	BORE	WIDTH
23	25003-9421	17.625	19.625	0.812	23	25003-9603	28.000	30.000	0.822
23	25003-9427	55.000	57.000	0.812	23	25003-9614	3.375	4.500	0.375
23	25003-9435	9.448	11.024	0.787	23	25003-9625	42.750	43.750	0.375
23	25003-9440	5.750	7.202	0.734	23	25003-9626	26.687	28.687	0.812
23	25003-9458	6.000	7.452	0.734	23	25003-9630	6.281	7.299	0.375
23	25003-9473	8.187	9.687	0.500	23	25003-9639	21.260	23.228	0.812
23	25003-9476	10.250	11.250	0.500	23	25003-9640	4.250	5.702	0.484
23	25003-9477	18.750	20.250	0.812	23	25003-9641	38.750	40.750	0.812
23	25003-9478	20.250	21.250	0.500	23	25003-9642	5.250	6.750	0.687
23	25003-9479	17.716	19.716	0.812	23	25003-9644	19.000	20.204	0.531
23	25003-9480	22.834	24.834	0.812	23	25003-9645	35.500	37.500	0.812
23	25003-9482	28.125	29.250	0.562	23	25003-9646	3.937	5.062	0.375
23	25003-9483	5.000	6.375	0.750	23	25003-9647	26.750	28.750	0.812
23	25003-9484	16.187	18.187	0.812	23	25003-9648	4.000	5.131	0.375
23	25003-9487	3.922	4.922	0.500	23	25003-9649	3.000	4.375	0.375
23	25003-9491	11.812	13.312	0.750	23	25003-9662	4.000	5.000	0.437
23	25003-9492	18.818	20.818	0.812	23	25003-9663	5.687	7.187	0.500
23	25003-9493	31.500	32.500	0.500	23	25003-9672	4.450	5.692	0.500
23	25003-9494	14.687	16.187	0.750	23	25003-9676	9.844	11.020	0.500
23	25003-9495	14.500	16.375	0.812	23	25003-9679	10.500	11.625	0.547
23	25003-9510	2.687	3.687	0.375	23	25003-9686	42.500	44.500	0.812
23	25003-9512	14.100	15.600	0.750	23	25003-9687	14.125	15.625	0.750
23	25003-9519	1.937	2.750	0.406	23	25003-9690	27.875	29.875	0.812
23	25003-9520	8.000	9.592	0.609	23	25003-9691	2.500	3.375	0.375
23	25003-9529	16.733	18.700	0.788	23	25003-9693	11.000	12.000	0.500
23	25003-9535	10.875	12.875	0.578	23	25003-9697	13.000	14.734	0.703
23	25003-9536	9.500	11.500	0.578	23	25003-9702	5.000	5.875	0.375
23	25003-9539	3.312	4.125	0.438	23	25003-9703	6.062	7.687	0.500
23	25003-9541	5.125	6.625	0.484	23	25003-9704	3.167	4.167	0.500
23	25003-9542	10.875	12.625	0.750	23	25003-9710	91.340	92.840	0.750
23	25003-9544	9.375	10.625	0.500	23	25003-9718	8.500	10.410	0.812
23	25003-9545	49.250	50.750	0.750	23	25003-9721	11.750	13.750	0.625
23	25003-9547	3.712	4.712	0.500	23	25003-9724	3.000	4.250	0.625
23	25003-9548	8.375	9.375	0.500	23	25003-9726	11.750	13.750	0.625
23	25003-9549	41.625	43.625	0.812	23	25003-9732	14.625	16.125	0.750
23	25003-9553	9.062	10.562	0.750	23	25003-9734	19.375	21.375	0.812
23	25003-9554	37.500	39.500	0.812	23	25003-9735	40.500	41.500	0.500
23	25003-9559	8.750	9.875	0.687	23	25003-9736	31.500	33.000	0.750
23	25003-9567	4.331	5.512	0.500	23	25003-9741	4.000	5.031	0.375
23	25003-9568	41.000	43.000	0.812	23	25003-9742	18.875	20.875	0.812
23	25003-9569	25.750	27.750	0.812	23	25003-9744	20.866	22.866	0.812
23	25003-9575	28.250	30.250	0.812	23	25003-9749	11.875	13.875	0.750
23	25003-9578	8.000	8.875	0.437	23	25003-9751	5.906	6.906	0.500
23	25003-9581	17.750	18.750	0.500	23	25003-9752	16.750	18.750	0.812
23	25003-9591	14.750	16.750	0.812	23	25003-9757	16.375	18.375	0.812
23	25003-9594	9.625	11.625	0.812	23	25003-9759	26.250	28.250	0.812
23	25003-9595	15.750	17.250	0.750	23	25003-9760	5.562	6.562	0.500
23	25003-9598	13.000	15.000	0.625	23	25003-9761	4.321	5.195	0.500
23	25003-9599	63.000	65.000	0.812	23	25003-9763	14.000	16.000	0.625
23	25003-9600	4.437	6.000	0.594	23	25003-9776	10.437	11.937	0.750
23	25003-9601	17.500	19.500	0.812	23	25003-9777	41.250	43.250	0.750
23	25003-9602	39.000	40.000	0.500	23	25003-9779	52.000	54.000	0.750

All dimensions are in inches. Preferred sizes are indicated with **bold** type face.

Sizes listed are for standard nitrile elements, except Models 25 and 62 which have PTFE elements. Other material available on inquiry only.

Garlock

Oil Seals by Model Number

MODEL NO	PART NO	SHAFT	BORE	WIDTH	MODEL NO	PART NO	SHAFT	BORE	WIDTH
23	25003-9780	6.500	7.500	0.562	23	25003-9902	108.000	110.000	0.812
23	25003-9781	58.000	60.000	0.812	23	25003-9904	38.500	40.750	0.750
23	25003-9783	13.937	15.437	0.750	23	25003-9906	15.125	17.125	0.750
23	25003-9785	4.375	5.827	0.484	23	25003-9907	21.500	23.500	0.750
23	25003-9789	6.299	7.299	0.500	23	25003-9908	44.290	45.790	0.750
23	25003-9791	4.937	6.062	0.500	23	25003-9912	54.000	56.000	0.812
23	25003-9792	7.437	8.937	0.750	23	25003-9913	40.750	42.000	0.687
23	25003-9793	11.808	13.308	0.750	23	25003-9914	5.687	6.937	0.625
23	25003-9796	15.350	16.850	0.750	23	25003-9915	3.000	4.000	0.437
23	25003-9797	28.875	30.875	0.812	23	25003-9916	9.437	10.937	0.750
23	25003-9800	68.500	70.500	0.812	23	25003-9917	56.102	58.346	0.750
23	25003-9801	20.062	22.062	0.812	23	25003-9918	44.337	45.837	0.750
23	25003-9805	7.062	8.562	0.750	23	25003-9919	54.331	56.299	0.984
23	25003-9806	65.354	67.354	0.812	23	25003-9920	70.000	71.000	0.500
23	25003-9817	3.812	5.312	0.500	23	25003-9921	13.625	15.625	0.812
23	25003-9820	50.000	52.000	0.812	23	25003-9925	17.717	19.409	0.787
23	25003-9823	6.437	7.937	0.625	23	25003-9928	12.380	14.380	0.812
23	25003-9824	4.000	5.031	0.500	23	25003-9932	10.937	12.187	0.625
23	25003-9828	6.687	8.007	0.625	23	25003-9938	51.575	53.575	0.812
23	25003-9829	11.250	12.250	0.625	23	25003-9939	6.375	7.375	0.375
23	25003-9830	3.218	4.468	0.500	23	25003-9940	18.750	20.750	0.812
23	25003-9839	4.750	5.937	0.500	23	25003-9941	9.445	10.633	0.500
23	25003-9842	4.562	5.437	0.375	23	25003-9942	11.335	12.520	0.500
23	25003-9843	59.250	61.250	0.812	23	25003-9943	19.188	20.938	0.625
23	25003-9846	7.437	8.687	0.625	23	25003-9944	3.437	4.937	0.500
23	25003-9847	22.875	24.875	0.812	23	25003-9945	71.000	73.000	0.812
23	25003-9848	49.000	51.000	0.812	23	25003-9947	9.750	11.750	0.625
23	25003-9851	4.000	4.937	0.375	23	25003-9948	9.000	11.000	0.625
23	25003-9852	29.000	30.125	0.500	23	25003-9949	13.125	14.875	0.625
23	25003-9853	31.000	32.125	0.500	23	25003-9950	4.156	5.406	0.500
23	25003-9858	7.086	8.586	0.750	23	25003-9953	88.583	90.583	0.812
23	25003-9859	20.500	21.500	0.469	23	25003-9954	3.375	4.625	0.375
23	25003-9861	7.812	9.062	0.625	23	25003-9955	7.937	9.187	0.625
23	25003-9862	4.312	5.312	0.375	23	25003-9956	7.207	8.225	0.500
23	25003-9864	21.691	23.691	0.812	23	25003-9957	10.000	11.500	0.375
23	25003-9869	75.000	77.000	0.812	23	25003-9958	6.670	7.750	0.500
23	25003-9874	8.062	9.312	0.625	23	25003-9959	14.750	16.250	0.375
23	25003-9875	9.250	11.250	0.812	23	25003-9960	4.250	5.250	0.437
23	25003-9877	4.125	5.250	0.407	23	25003-9963	3.543	4.528	0.472
23	25003-9878	42.062	44.062	0.812	23	25003-9968	32.375	34.375	1.000
23	25003-9880	5.875	7.125	0.455	23	25003-9969	9.844	10.844	0.500
23	25003-9881	18.500	20.000	0.750	23	25003-9974	10.937	12.500	0.625
23	25003-9888	9.562	10.812	0.625	23	25003-9976	11.750	13.500	0.812
23	25003-9889	8.312	9.562	0.625	23	25003-9979	18.750	19.750	0.500
23	25003-9890	27.992	29.119	0.500	23	25003-9980	11.750	13.250	0.625
23	25003-9893	20.625	22.625	0.812	23	25003-9982	25.006	26.006	0.375
23	25003-9894	47.875	49.875	0.812	23	25003-9983	20.495	21.495	0.375
23	25003-9895	7.620	9.120	0.750	23	25003-9985	20.477	21.477	0.375
23	25003-9896	14.937	16.437	0.750	23	25003-9987	20.458	21.458	0.375
23	25003-9897	68.968	70.957	0.787	23	25003-9988	25.500	26.500	0.500
23	25003-9899	52.875	53.875	0.500	23	25003-9993	14.566	16.181	0.629
23	25003-9900	40.750	42.000	0.750	23	25003-9994	7.087	8.661	0.625

All dimensions are in inches. Preferred sizes are indicated with **bold** type face. Sizes listed are for standard nitrile elements, except Models 25 and 62 which have PTFE elements. Other material available on inquiry only.

Oil Seals by Model Number

Garlock

MODEL NO	PART NO	SHAFT	BORE	WIDTH	MODEL NO	PART NO	SHAFT	BORE	WIDTH
23	25003-9995	9.868	11.368	0.750	24	25005-9132	4.500	6.000	0.375
23	25003-9996	12.992	14.566	0.708	24	25005-9206	5.314	6.814	0.500
23	25003-9997	10.375	12.250	0.750	24	25005-9244	7.062	8.562	0.500
24	25005-2549	4.000	5.500	0.500	24	25005-9663	5.687	7.187	0.500
24	25005-2608	4.125	5.375	0.625	24	25005-9798	7.750	9.250	0.500
24	25005-2612	4.125	5.625	0.500	24	25005-9926	4.000	5.250	0.375
24	25005-2669	4.250	5.750	0.500	24	25005-9930	5.000	6.563	0.500
24	25005-2762	4.500	5.875	0.500	24	25005-9933	6.375	7.750	0.472
24	25005-2765	4.500	6.000	0.500	24	25005-9934	7.875	9.375	0.500
24	25005-2810	4.625	6.125	0.500	24	25005-9935	8.375	10.000	0.500
24	25005-2879	4.875	6.250	0.500	24	25005-9937	12.875	15.000	0.750
24	25005-2882	4.875	6.375	0.500	24	25005-9951	6.693	8.193	0.500
24	25005-3071	5.250	6.750	0.500	24	25005-9952	5.906	7.405	0.500
24	25005-3188	5.500	7.000	0.500	25	25058-0049	0.500	1.000	0.312
24	25005-3240	5.625	7.125	0.500	25	25058-0353	1.125	1.750	0.375
24	25005-3287	5.750	7.250	0.500	25	25058-0427	1.250	2.000	0.375
24	25005-3367	6.000	7.500	0.500	25	25058-0439	1.250	2.250	0.375
24	25005-3996	10.000	12.000	0.750	25	25058-0544	1.375	2.250	0.375
24	25005-4071	12.000	14.000	0.750	25	25058-0546	1.375	2.250	0.500
24	25005-4098	13.000	15.000	0.750	25	25058-0655	1.500	2.500	0.375
24	25005-4152	15.000	16.500	0.750	25	25058-1189	2.000	2.750	0.375
24	25005-4963	10.562	12.562	0.750	25	25058-1204	2.000	3.000	0.375
24	25005-5139	6.625	8.125	0.500	25	25058-1205	2.000	3.000	0.437
24	25005-5526	5.511	7.011	0.500	25	25058-1321	2.125	2.875	0.375
24	25005-5630	7.625	9.125	0.500	25	25058-1404	2.187	3.000	0.500
24	25005-5741	3.740	4.990	0.375	25	25058-1494	2.250	3.250	0.500
24	25005-5933	3.562	4.812	0.500	25	25058-1575	2.312	3.250	0.500
24	25005-6247	8.250	9.750	0.500	25	25058-1637	2.375	3.375	0.468
24	25005-6250	3.741	5.240	0.500	25	25058-1807	2.500	3.250	0.375
24	25005-6370	6.500	8.000	0.500	25	25058-1809	2.500	3.250	0.500
24	25005-6375	7.000	8.500	0.500	25	25058-1939	2.625	3.500	0.375
24	25005-6380	8.000	9.000	0.500	25	25058-1945	2.625	3.623	0.375
24	25005-6395	11.000	13.000	0.750	25	25058-2152	2.937	4.003	0.375
24	25005-6693	16.000	18.000	0.500	25	25058-2154	2.937	4.003	0.500
24	25005-6758	10.437	12.437	0.750	25	25058-2168	3.000	3.751	0.375
24	25005-6773	7.500	9.000	0.500	25	25058-2176	3.000	4.003	0.500
24	25005-6845	8.750	10.250	0.500	25	25058-2188	3.000	4.500	0.625
24	25005-7578	3.500	4.750	0.375	25	25058-2192	3.000	4.750	0.500
24	25005-7758	8.000	9.500	0.500	25	25058-2324	3.375	4.500	0.500
24	25005-7861	8.125	9.625	0.500	25	25058-2366	3.500	4.500	0.500
24	25005-7867	4.937	6.437	0.500	25	25058-2372	3.500	4.750	0.500
24	25005-7876	11.937	13.937	0.750	25	25058-2462	3.750	4.750	0.500
24	25005-8169	6.125	7.625	0.500	25	25058-2543	4.000	5.250	0.500
24	25005-8171	6.500	7.874	0.472	25	25058-2549	4.000	5.500	0.500
24	25005-8173	7.125	8.625	0.500	25	25058-2657	4.250	5.250	0.500
24	25005-8245	3.000	4.250	0.375	25	25058-2708	4.375	5.375	0.500
24	25005-8452	8.375	9.875	0.500	25	25058-2753	4.500	5.500	0.500
24	25005-8623	8.469	9.968	0.500	25	25058-2765	4.500	6.000	0.500
24	25005-8665	8.500	10.000	0.500	25	25058-2798	4.625	5.625	0.500
24	25005-9035	21.500	23.500	0.500	25	25058-2915	5.000	6.000	0.500
24	25005-9085	4.437	5.937	0.500	25	25058-2918	5.000	6.125	0.500
24	25005-9108	9.000	10.375	0.500	25	25058-2921	5.000	6.250	0.500

All dimensions are in inches. Preferred sizes are indicated with **bold** type face.

Sizes listed are for standard nitrile elements, except Models 25 and 62 which have PTFE elements. Other material available on inquiry only.

Garlock

Oil Seals by Model Number

MODEL NO	PART NO	SHAFT	BORE	WIDTH	MODEL NO	PART NO	SHAFT	BORE	WIDTH
25	25058-2923	5.000	6.250	0.625	25	25058-4046	11.250	12.750	0.750
25	25058-2973	5.000	6.437	0.500	25	25058-4050	11.375	12.875	0.750
25	25058-2990	5.125	6.125	0.500	25	25058-4058	11.500	13.000	0.750
25	25058-3059	5.250	6.250	0.500	25	25058-4072	12.000	14.000	0.812
25	25058-3065	5.250	6.500	0.500	25	25058-4080	12.500	14.000	0.750
25	25058-3122	5.375	6.375	0.500	25	25058-4082	12.500	14.500	0.750
25	25058-3176	5.500	6.500	0.500	25	25058-4132	14.000	15.500	0.750
25	25058-3188	5.500	7.000	0.500	25	25058-4152	15.000	16.500	0.750
25	25058-3275	5.750	6.750	0.500	25	25058-4155	15.000	17.000	0.750
25	25058-3278	5.750	6.875	0.500	25	25058-4178	16.000	17.500	0.750
25	25058-3316	5.875	6.875	0.500	25	25058-4189	17.000	18.500	0.750
25	25058-3355	6.000	7.000	0.500	25	25058-4201	17.750	19.750	1.000
25	25058-3363	6.000	7.250	0.625	25	25058-4495	10.500	12.000	0.625
25	25058-3367	6.000	7.500	0.500	25	25058-4502	8.500	10.000	0.625
25	25058-3369	6.000	7.500	0.625	25	25058-4505	9.000	10.250	0.625
25	25058-3370	6.000	7.500	0.750	25	25058-4517	9.750	11.250	0.625
25	25058-3375	6.125	7.125	0.500	25	25058-4557	3.000	4.000	0.500
25	25058-3380	6.125	7.250	0.625	25	25058-4560	6.500	7.500	0.500
25	25058-3405	6.250	7.750	0.750	25	25058-4651	4.000	5.000	0.500
25	25058-3430	6.500	7.750	0.625	25	25058-4707	12.000	13.500	0.625
25	25058-3438	6.625	7.750	0.625	25	25058-4710	3.437	5.000	0.500
25	25058-3464	6.750	8.250	0.625	25	25058-4729	6.125	7.625	0.750
25	25058-3480	6.875	8.250	0.625	25	25058-4799	8.375	9.875	0.625
25	25058-3485	6.875	8.500	0.750	25	25058-4804	3.000	4.250	0.500
25	25058-3496	7.000	8.250	0.625	25	25058-4921	7.375	8.375	0.500
25	25058-3497	7.000	8.250	0.750	25	25058-4923	10.000	11.250	0.500
25	25058-3500	7.000	8.500	0.625	25	25058-5023	3.000	4.000	0.375
25	25058-3501	7.000	8.500	0.750	25	25058-5189	5.125	6.125	0.375
25	25058-3515	7.125	8.625	0.750	25	25058-5240	2.375	4.000	0.500
25	25058-3522	7.250	8.500	0.625	25	25058-5825	13.625	14.875	0.750
25	25058-3526	7.125	8.750	0.750	25	25058-5916	8.500	10.500	0.625
25	25058-3552	7.500	9.000	0.625	25	25058-5934	10.500	11.750	0.625
25	25058-3566	7.625	9.125	0.625	25	25058-6050	0.625	1.375	0.250
25	25058-3578	7.750	9.250	0.625	25	25058-6147	5.062	6.375	0.562
25	25058-3584	7.875	9.125	0.625	25	25058-6285	3.500	4.375	0.500
25	25058-3596	8.000	9.250	0.625	25	25058-6356	3.250	4.250	0.375
25	25058-3619	9.000	10.500	0.750	25	25058-6360	4.000	5.000	0.375
25	25058-3630	9.250	10.500	0.750	25	25058-6363	4.500	5.500	0.375
25	25058-3652	9.750	11.000	0.750	25	25058-6372	6.750	7.750	0.500
25	25058-3672	10.000	11.500	0.750	25	25058-6374	7.000	8.000	0.500
25	25058-3673	10.000	12.000	1.000	25	25058-6375	7.000	8.500	0.500
25	25058-3689	10.750	12.750	1.000	25	25058-6376	7.250	8.250	0.500
25	25058-3692	11.000	12.250	0.625	25	25058-6377	7.250	8.500	0.500
25	25058-3693	11.000	12.500	0.625	25	25058-6380	8.000	9.000	0.500
25	25058-3741	18.000	19.500	0.750	25	25058-6387	9.000	10.000	0.500
25	25058-3745	18.500	20.500	1.000	25	25058-6408	18.500	20.500	0.812
25	25058-3965	9.250	11.000	0.750	25	25058-6471	2.750	3.750	0.500
25	25058-3967	9.250	11.250	0.750	25	25058-6502	1.250	2.500	0.375
25	25058-3979	9.500	11.000	0.750	25	25058-6508	19.000	21.000	0.812
25	25058-3989	9.750	11.750	0.750	25	25058-6525	4.687	5.687	0.500
25	25058-4012	10.500	12.000	0.750	25	25058-6672	11.250	12.500	0.625
25	25058-4032	10.875	12.375	0.750	25	25058-6676	9.250	10.250	0.500

All dimensions are in inches. Preferred sizes are indicated with **bold** type face. Sizes listed are for standard nitrile elements, except Models 25 and 62 which have PTFE elements. Other material available on inquiry only.

Oil Seals by Model Number

Garlock

MODEL NO	PART NO	SHAFT	BORE	WIDTH	MODEL NO	PART NO	SHAFT	BORE	WIDTH
25	25058-6697	16.500	18.500	0.750	26	24600-0758	1.625	2.188	0.375
25	25058-6808	10.000	11.250	0.625	26	24600-0759	1.653	2.165	0.354
25	25058-6919	4.375	5.875	0.375	26	24600-0760	1.625	2.375	0.375
25	25058-6974	18.000	20.500	0.812	26	24600-0778	1.625	2.750	0.375
25	25058-7033	0.750	1.250	0.250	26	24600-0784	0.875	1.500	0.375
25	25058-7293	1.000	1.500	0.281	26	24600-0785	0.938	1.500	0.375
25	25058-7389	3.750	4.750	0.375	26	24600-0791	1.653	2.165	0.393
25	25058-7432	10.625	11.875	0.625	26	24600-0795	2.750	3.500	0.250
25	25058-7621	9.875	10.875	0.500	26	24600-0800	10.000	12.000	1.000
25	25058-8782	5.437	6.937	0.750	26	24600-0809	9.000	10.500	0.500
25	25058-9104	3.687	4.687	0.500	26	24600-0814	1.125	2.062	0.375
25	25058-9207	8.500	9.750	0.750	26	24600-0817	1.125	3.192	0.500
25	25058-9665	4.000	5.500	0.750	26	24600-0827	2.953	3.937	0.512
25	25058-9915	3.000	4.000	0.437	26	24600-0828	9.448	12.598	0.984
26	24600-0041	9.250	10.500	0.625	26	24600-0829	2.519	3.464	0.472
26	24600-0044	9.250	11.250	0.750	26	24600-0831	37.000	39.250	0.875
26	24600-0055	9.500	11.500	0.625	26	24600-0833	1.687	2.561	0.500
26	24600-0126	11.500	13.000	0.625	26	24600-0834	1.688	2.502	0.375
26	24600-0131	11.750	13.250	0.625	26	24600-0835	1.688	2.500	0.375
26	24600-0212	14.000	15.500	0.625	26	24600-0839	3.375	4.250	0.375
26	24600-0233	14.375	16.000	0.688	26	24600-0840	1.688	2.625	0.500
26	24600-0287	1.000	1.500	0.313	26	24600-0841	4.527	5.708	0.551
26	24600-0303	1.000	2.062	0.375	26	24600-0842	1.125	2.001	0.375
26	24600-0351	1.125	1.625	0.313	26	24600-0845	2.781	3.500	0.375
26	24600-0353	1.125	1.750	0.375	26	24600-0874	1.500	3.000	0.500
26	24600-0378	1.181	1.968	0.276	26	24600-0876	1.625	2.875	0.500
26	24600-0383	1.188	1.875	0.375	26	24600-0898	1.750	2.438	0.375
26	24600-0393	1.181	2.500	0.375	26	24600-0904	1.750	2.500	0.375
26	24600-0449	1.260	1.693	0.394	26	24600-0913	1.378	3.465	0.500
26	24600-0532	33.500	36.000	0.875	26	24600-0914	3.125	4.250	0.500
26	24600-0547	1.375	2.375	0.375	26	24600-0933	4.250	5.375	0.500
26	24600-0549	35.500	37.500	0.875	26	24600-0973	1.812	2.500	0.375
26	24600-0556	1.375	2.500	0.375	26	24600-0976	1.812	2.625	0.375
26	24600-0575	1.378	2.244	0.394	26	24600-0978	4.000	5.000	0.375
26	24600-0598	1.438	2.375	0.375	26	24600-0983	18.000	20.000	0.625
26	24600-0609	1.438	2.500	0.500	26	24600-0985	12.000	13.750	0.688
26	24600-0622	1.875	2.875	0.312	26	24600-0992	14.173	15.354	0.709
26	24600-0631	1.250	2.250	0.500	26	24600-0994	4.724	5.708	0.433
26	24600-0634	1.438	2.438	0.500	26	24600-1002	1.812	3.544	0.500
26	24600-0635	1.500	2.500	0.500	26	24600-1007	15.000	17.500	1.250
26	24600-0639	1.750	2.750	0.500	26	24600-1039	1.875	2.750	0.500
26	24600-0643	1.500	2.250	0.375	26	24600-1040	10.826	12.008	0.591
26	24600-0644	1.500	2.250	0.438	26	24600-1060	6.494	7.525	0.517
26	24600-0672	5.750	6.750	0.500	26	24600-1063	1.875	3.000	0.375
26	24600-0674	5.875	6.875	0.500	26	24600-1067	1.875	3.543	0.375
26	24600-0698	1.562	2.188	0.312	26	24600-1068	8.250	10.250	0.750
26	24600-0705	1.375	2.064	0.500	26	24600-1096	1.653	2.441	0.315
26	24600-0708	1.375	2.439	0.500	26	24600-1097	1.772	2.441	0.394
26	24600-0733	1.575	2.362	0.354	26	24600-1103	1.969	3.150	0.315
26	24600-0737	1.438	2.125	0.375	26	24600-1104	1.969	2.756	0.394
26	24600-0741	1.438	2.250	0.500	26	24600-1111	1.938	2.500	0.375
26	24600-0754	1.375	2.500	0.625	26	24600-1114	1.937	2.625	0.375

All dimensions are in inches. Preferred sizes are indicated with **bold** type face.
 Sizes listed are for standard nitrile elements, except Models 25 and 62 which have PTFE elements. Other material available on inquiry only.

Garlock

Oil Seals by Model Number

MODEL NO	PART NO	SHAFT	BORE	WIDTH	MODEL NO	PART NO	SHAFT	BORE	WIDTH
26	24600-1120	1.937	2.750	0.375	26	24600-1394	1.125	1.875	0.375
26	24600-1124	1.938	2.996	0.438	26	24600-1404	2.188	3.000	0.500
26	24600-1125	1.938	3.000	0.437	26	24600-1408	2.188	3.125	0.375
26	24600-1126	1.938	3.188	0.469	26	24600-1427	2.188	3.350	0.469
26	24600-1130	1.938	2.875	0.437	26	24600-1431	1.187	2.250	0.500
26	24600-1137	1.937	3.000	0.500	26	24600-1454	1.375	2.000	0.312
26	24600-1139	1.378	2.047	0.276	26	24600-1465	1.438	2.000	0.313
26	24600-1149	1.938	3.188	0.500	26	24600-1466	1.438	2.063	0.313
26	24600-1155	1.962	3.188	0.469	26	24600-1469	2.250	2.875	0.312
26	24600-1157	1.963	3.544	0.500	26	24600-1470	2.250	3.062	0.437
26	24600-1173	2.000	2.715	0.438	26	24600-1474	2.250	3.000	0.375
26	24600-1182	2.000	3.375	0.375	26	24600-1482	2.250	3.125	0.500
26	24600-1190	2.000	2.750	0.438	26	24600-1492	2.250	3.250	0.375
26	24600-1191	2.000	2.750	0.500	26	24600-1504	2.250	3.500	0.375
26	24600-1195	2.000	2.783	0.375	26	24600-1508	2.250	3.353	0.375
26	24600-1198	2.000	2.875	0.375	26	24600-1509	2.250	3.375	0.500
26	24600-1204	2.000	3.000	0.375	26	24600-1511	2.250	3.750	0.500
26	24600-1206	2.000	3.000	0.500	26	24600-1561	2.312	3.125	0.375
26	24600-1217	2.000	3.188	0.438	26	24600-1565	2.362	3.071	0.394
26	24600-1224	2.062	2.875	0.468	26	24600-1568	2.363	3.127	0.375
26	24600-1228	1.575	2.559	0.276	26	24600-1572	2.375	3.188	0.438
26	24600-1234	1.562	2.250	0.375	26	24600-1579	1.772	2.622	0.500
26	24600-1258	2.062	3.000	0.375	26	24600-1580	2.375	3.250	0.328
26	24600-1259	5.935	6.963	0.517	26	24600-1602	2.344	3.125	0.500
26	24600-1260	2.062	3.000	0.500	26	24600-1621	2.437	3.547	0.500
26	24600-1261	2.062	3.062	0.375	26	24600-1623	2.499	3.542	0.500
26	24600-1275	0.875	1.375	0.375	26	24600-1627	2.563	3.500	0.375
26	24600-1276	0.875	1.828	0.438	26	24600-1639	2.375	3.062	0.500
26	24600-1277	0.875	1.625	0.375	26	24600-1642	2.375	3.125	0.375
26	24600-1282	0.969	2.000	0.375	26	24600-1652	2.375	3.375	0.500
26	24600-1283	1.000	1.750	0.375	26	24600-1665	3.500	6.375	0.375
26	24600-1285	1.062	1.625	0.375	26	24600-1668	2.375	3.500	0.500
26	24600-1288	1.125	1.828	0.375	26	24600-1685	2.440	3.250	0.500
26	24600-1289	1.125	1.984	0.438	26	24600-1686	2.500	3.125	0.312
26	24600-1290	1.125	2.844	0.500	26	24600-1697	4.438	5.750	0.563
26	24600-1295	1.250	2.125	0.375	26	24600-1705	5.250	7.250	0.625
26	24600-1296	1.250	2.438	0.438	26	24600-1714	7.313	8.438	0.563
26	24600-1297	1.312	2.062	0.375	26	24600-1716	7.441	9.875	0.512
26	24600-1298	1.375	2.688	0.500	26	24600-1746	2.438	3.481	0.500
26	24600-1301	1.625	2.438	0.375	26	24600-1749	2.438	3.500	0.500
26	24600-1302	1.625	2.687	0.500	26	24600-1757	2.489	3.250	0.312
26	24600-1305	1.687	2.750	0.437	26	24600-1767	1.750	2.750	0.375
26	24600-1319	2.125	2.833	0.438	26	24600-1775	8.000	8.875	0.437
26	24600-1320	2.125	2.875	0.437	26	24600-1787	2.500	3.350	0.250
26	24600-1321	2.125	2.875	0.375	26	24600-1794	2.500	4.000	0.500
26	24600-1325	2.125	3.000	0.500	26	24600-1801	2.500	3.188	0.375
26	24600-1332	15.748	17.480	0.787	26	24600-1820	2.500	3.500	0.437
26	24600-1333	2.125	3.125	0.375	26	24600-1821	2.500	3.500	0.500
26	24600-1334	2.125	3.125	0.438	26	24600-1826	2.500	3.623	0.437
26	24600-1345	2.125	3.250	0.375	26	24600-1828	2.500	3.750	0.375
26	24600-1355	2.125	3.545	0.438	26	24600-1829	1.375	2.125	0.375
26	24600-1375	3.375	4.355	0.375	26	24600-1838	2.625	3.375	0.437

All dimensions are in inches. Preferred sizes are indicated with **bold** type face. Sizes listed are for standard nitrile elements, except Models 25 and 62 which have PTFE elements. Other material available on inquiry only.

Oil Seals by Model Number

Garlock

MODEL NO	PART NO	SHAFT	BORE	WIDTH	MODEL NO	PART NO	SHAFT	BORE	WIDTH
26	24600-1842	2.625	3.625	0.438	26	24600-2186	3.000	4.500	0.500
26	24600-1848	2.688	3.875	0.468	26	24600-2187	3.000	4.125	0.437
26	24600-1855	4.724	5.512	0.512	26	24600-2198	3.000	5.000	0.500
26	24600-1907	3.937	4.921	0.256	26	24600-2214	3.346	4.331	0.472
26	24600-1913	8.500	9.750	0.750	26	24600-2215	3.150	4.134	0.512
26	24600-1914	8.875	10.125	0.750	26	24600-2218	3.188	4.340	0.305
26	24600-1922	9.750	11.125	0.750	26	24600-2225	3.125	4.125	0.500
26	24600-1939	2.625	3.500	0.375	26	24600-2237	3.125	4.625	0.500
26	24600-1950	2.625	3.750	0.500	26	24600-2238	3.150	3.937	0.512
26	24600-1952	27.000	28.500	0.750	26	24600-2243	3.150	4.330	0.237
26	24600-1968	3.537	4.500	0.500	26	24600-2262	3.250	4.000	0.250
26	24600-1972	2.000	2.750	0.375	26	24600-2265	3.250	4.000	0.438
26	24600-1987	2.688	3.372	0.375	26	24600-2267	3.187	5.000	0.500
26	24600-2004	2.687	3.751	0.500	26	24600-2269	3.250	4.125	0.562
26	24600-2007	12.375	13.375	0.500	26	24600-2274	2.756	4.331	0.500
26	24600-2020	2.750	3.375	0.312	26	24600-2297	3.312	4.375	0.500
26	24600-2021	2.750	4.625	0.625	26	24600-2305	3.312	5.000	0.468
26	24600-2033	2.750	3.751	0.687	26	24600-2310	3.346	4.134	0.500
26	24600-2035	2.750	3.500	0.375	26	24600-2318	3.375	4.626	0.563
26	24600-2037	2.750	3.500	0.500	26	24600-2319	3.375	5.000	0.469
26	24600-2039	2.750	3.543	0.437	26	24600-2321	3.375	4.375	0.500
26	24600-2041	9.449	11.024	0.591	26	24600-2324	3.375	4.500	0.500
26	24600-2044	9.469	10.625	0.625	26	24600-2345	3.437	4.500	0.500
26	24600-2047	5.315	6.614	0.709	26	24600-2348	3.438	4.625	0.500
26	24600-2054	2.750	3.625	0.438	26	24600-2356	3.438	4.875	0.625
26	24600-2058	2.750	3.750	0.438	26	24600-2364	3.500	4.375	0.375
26	24600-2065	2.750	4.003	0.469	26	24600-2366	3.500	4.500	0.500
26	24600-2068	2.750	4.125	0.438	26	24600-2368	3.500	4.500	0.625
26	24600-2070	2.756	3.543	0.394	26	24600-2377	3.500	4.500	0.437
26	24600-2071	2.756	3.543	0.237	26	24600-2412	3.625	4.750	0.625
26	24600-2077	2.795	3.465	0.472	26	24600-2417	3.625	4.625	0.500
26	24600-2081	2.938	4.008	0.468	26	24600-2432	3.625	5.250	0.500
26	24600-2098	5.512	7.087	0.630	26	24600-2441	3.687	4.750	0.500
26	24600-2105	2.953	4.213	0.492	26	24600-2447	3.688	4.999	0.500
26	24600-2111	3.225	3.975	0.375	26	24600-2456	1.750	2.625	0.312
26	24600-2113	2.875	4.000	0.468	26	24600-2457	3.543	4.724	0.511
26	24600-2114	2.875	3.500	0.312	26	24600-2462	3.750	4.750	0.500
26	24600-2120	2.875	3.751	0.500	26	24600-2477	3.750	5.000	0.438
26	24600-2121	2.875	3.875	0.375	26	24600-2478	3.750	5.000	0.500
26	24600-2128	1.250	2.000	0.375	26	24600-2498	3.812	5.500	0.500
26	24600-2137	2.901	3.601	0.232	26	24600-2501	22.598	23.779	0.590
26	24600-2144	2.937	3.625	0.375	26	24600-2504	19.685	20.866	0.590
26	24600-2145	7.402	8.583	0.591	26	24600-2505	24.567	25.748	0.590
26	24600-2146	2.938	3.750	0.375	26	24600-2511	19.983	21.125	0.625
26	24600-2147	8.189	9.370	0.591	26	24600-2513	3.875	5.375	0.500
26	24600-2148	10.787	11.969	0.591	26	24600-2514	3.875	5.000	0.468
26	24600-2149	9.528	10.709	0.591	26	24600-2525	3.937	5.250	0.500
26	24600-2151	2.937	3.875	0.500	26	24600-2546	4.000	5.375	0.500
26	24600-2168	3.000	3.751	0.375	26	24600-2555	4.000	5.750	0.500
26	24600-2171	3.000	3.876	0.375	26	24600-2562	3.307	4.331	0.551
26	24600-2174	3.000	4.003	0.375	26	24600-2580	13.250	14.750	0.688
26	24600-2180	3.000	4.250	0.500	26	24600-2590	4.000	4.875	0.563

All dimensions are in inches. Preferred sizes are indicated with **bold** type face.

Sizes listed are for standard nitrile elements, except Models 25 and 62 which have PTFE elements. Other material available on inquiry only.

Garlock

Oil Seals by Model Number

MODEL NO	PART NO	SHAFT	BORE	WIDTH	MODEL NO	PART NO	SHAFT	BORE	WIDTH
26	24600-2591	4.000	4.875	0.625	26	24600-3026	5.188	6.250	0.500
26	24600-2592	4.000	5.000	0.468	26	24600-3037	3.688	4.750	0.438
26	24600-2593	4.000	5.000	0.625	26	24600-3050	15.000	17.500	0.938
26	24600-2595	4.000	5.250	0.468	26	24600-3055	17.250	19.250	0.875
26	24600-2600	4.125	5.125	0.500	26	24600-3059	5.250	6.250	0.500
26	24600-2601	4.063	5.500	0.563	26	24600-3067	5.250	6.500	0.625
26	24600-2603	4.125	5.250	0.500	26	24600-3122	5.375	6.375	0.500
26	24600-2612	4.125	5.625	0.500	26	24600-3124	5.375	6.750	0.625
26	24600-2621	1.969	4.331	0.375	26	24600-3135	6.625	8.750	0.500
26	24600-2644	4.188	5.250	0.468	26	24600-3136	7.750	10.250	0.500
26	24600-2646	4.188	5.250	0.625	26	24600-3173	5.438	6.625	0.500
26	24600-2653	4.250	5.000	0.438	26	24600-3176	5.500	6.500	0.500
26	24600-2657	4.250	5.250	0.500	26	24600-3177	5.500	6.250	0.438
26	24600-2664	4.250	5.500	0.562	26	24600-3182	5.500	6.750	0.500
26	24600-2686	4.331	5.118	0.512	26	24600-3183	5.500	6.750	0.562
26	24600-2712	4.375	5.500	0.562	26	24600-3184	5.500	6.750	0.625
26	24600-2731	4.331	5.512	0.512	26	24600-3189	5.500	7.000	0.750
26	24600-2732	4.438	5.500	0.500	26	24600-3194	5.500	7.250	0.500
26	24600-2753	4.500	5.500	0.500	26	24600-3203	5.512	6.693	0.295
26	24600-2759	4.500	5.750	0.500	26	24600-3204	5.512	6.890	0.709
26	24600-2761	4.500	5.750	0.625	26	24600-3216	2.500	3.228	0.315
26	24600-2763	4.500	5.250	0.375	26	24600-3236	5.625	6.875	0.625
26	24600-2765	4.500	6.000	0.500	26	24600-3260	4.331	5.118	0.354
26	24600-2788	4.562	5.750	0.562	26	24600-3277	5.750	6.750	0.625
26	24600-2798	4.625	5.625	0.500	26	24600-3281	5.750	7.000	0.500
26	24600-2802	4.625	5.750	0.562	26	24600-3283	5.750	7.000	0.625
26	24600-2820	4.688	5.750	0.500	26	24600-3287	5.750	6.950	0.305
26	24600-2822	20.500	21.500	0.469	26	24600-3300	2.312	3.062	0.375
26	24600-2837	4.750	5.750	0.500	26	24600-3308	1.937	3.250	0.375
26	24600-2840	4.750	5.875	0.500	26	24600-3326	6.102	6.850	0.472
26	24600-2841	4.750	5.500	0.375	26	24600-3329	6.693	8.268	0.630
26	24600-2845	4.750	6.000	0.625	26	24600-3330	5.875	7.375	0.625
26	24600-2851	4.750	6.250	0.625	26	24600-3354	6.000	7.000	0.438
26	24600-2853	4.750	6.500	0.625	26	24600-3361	6.000	7.250	0.500
26	24600-2875	4.875	6.000	0.625	26	24600-3362	6.000	7.000	0.750
26	24600-2879	4.875	6.250	0.500	26	24600-3373	6.000	7.625	0.625
26	24600-2881	4.875	6.250	0.625	26	24600-3377	6.125	7.125	0.625
26	24600-2886	4.875	6.250	0.858	26	24600-3379	6.000	7.500	0.375
26	24600-2889	4.921	6.299	0.590	26	24600-3389	6.000	7.500	0.625
26	24600-2900	4.928	6.250	0.500	26	24600-3390	6.188	7.688	0.750
26	24600-2913	4.987	6.000	0.500	26	24600-3404	6.300	7.480	0.295
26	24600-2915	5.000	6.000	0.500	26	24600-3415	3.187	4.500	0.500
26	24600-2921	5.000	6.250	0.500	26	24600-3418	6.125	7.625	0.625
26	24600-2922	5.000	6.250	0.562	26	24600-3422	6.125	9.000	1.438
26	24600-2923	5.000	6.250	0.625	26	24600-3423	6.375	7.875	0.625
26	24600-2928	5.000	6.500	0.562	26	24600-3424	6.437	7.687	0.625
26	24600-2932	5.000	5.750	0.437	26	24600-3430	6.500	7.750	0.625
26	24600-2940	6.679	7.405	0.250	26	24600-3435	6.500	8.000	0.750
26	24600-2988	5.118	6.299	0.590	26	24600-3438	6.625	7.725	0.305
26	24600-2990	5.125	6.125	0.500	26	24600-3451	6.693	7.874	0.295
26	24600-2998	5.125	6.375	0.625	26	24600-3452	7.000	8.000	0.437
26	24600-3019	5.500	6.375	0.563	26	24600-3460	6.750	8.000	0.625

All dimensions are in inches. Preferred sizes are indicated with **bold** type face. Sizes listed are for standard nitrile elements, except Models 25 and 62 which have PTFE elements. Other material available on inquiry only.

Oil Seals by Model Number

Garlock

MODEL NO	PART NO	SHAFT	BORE	WIDTH	MODEL NO	PART NO	SHAFT	BORE	WIDTH
26	24600-3461	22.047	24.016	0.787	26	24600-3828	8.625	10.500	0.500
26	24600-3486	6.875	8.384	0.625	26	24600-3829	8.750	9.750	0.562
26	24600-3492	7.000	8.000	0.625	26	24600-3832	8.875	10.125	0.625
26	24600-3494	7.000	8.125	0.625	26	24600-3833	8.875	10.875	1.000
26	24600-3500	7.000	8.500	0.625	26	24600-3834	9.000	10.000	0.468
26	24600-3511	6.938	8.000	0.625	26	24600-3840	9.250	10.750	0.656
26	24600-3512	7.125	8.500	0.625	26	24600-3841	9.500	10.500	0.438
26	24600-3522	7.250	8.500	0.625	26	24600-3842	9.500	11.000	0.688
26	24600-3544	7.500	8.500	0.625	26	24600-3850	11.500	12.500	0.500
26	24600-3552	7.500	9.000	0.625	26	24600-3853	12.000	14.000	0.625
26	24600-3553	7.500	9.000	0.750	26	24600-3867	15.551	17.283	0.886
26	24600-3566	7.625	9.125	0.625	26	24600-3868	16.500	17.750	0.750
26	24600-3578	7.750	9.250	0.625	26	24600-3882	13.386	14.961	0.709
26	24600-3583	5.063	6.125	0.500	26	24600-3885	1.125	2.750	0.375
26	24600-3587	2.165	3.150	0.394	26	24600-3891	14.250	16.250	0.625
26	24600-3589	7.875	9.375	0.750	26	24600-3908	7.874	9.252	0.625
26	24600-3592	8.000	9.000	0.625	26	24600-3910	9.449	10.827	0.630
26	24600-3594	8.000	9.125	0.625	26	24600-3913	6.299	7.480	0.630
26	24600-3598	8.000	9.375	0.625	26	24600-3914	7.874	9.055	0.551
26	24600-3606	8.250	9.500	0.625	26	24600-3916	7.874	9.449	0.787
26	24600-3611	8.625	10.625	0.750	26	24600-3919	6.693	7.874	0.630
26	24600-3619	9.000	10.500	0.750	26	24600-3920	7.087	8.268	0.630
26	24600-3623	9.000	11.000	0.750	26	24600-3933	8.375	9.875	0.688
26	24600-3633	9.250	11.250	1.000	26	24600-3935	8.500	9.500	0.625
26	24600-3635	16.687	18.031	0.750	26	24600-3937	8.500	10.000	0.750
26	24600-3640	9.500	10.750	0.625	26	24600-3942	8.661	9.843	0.630
26	24600-3644	9.500	11.250	0.625	26	24600-3944	8.661	10.236	0.866
26	24600-3648	9.500	11.500	1.000	26	24600-3951	8.750	10.750	0.750
26	24600-3654	9.750	11.250	0.750	26	24600-3955	9.055	10.236	0.590
26	24600-3655	9.750	11.750	1.000	26	24600-3956	9.055	10.591	0.866
26	24600-3663	2.953	3.740	0.511	26	24600-3973	9.449	11.024	0.748
26	24600-3665	10.500	11.750	0.625	26	24600-3981	3.500	4.437	0.312
26	24600-3667	20.866	22.835	0.866	26	24600-3988	2.500	4.003	0.375
26	24600-3677	10.250	12.250	1.000	26	24600-3993	1.531	2.500	0.438
26	24600-3678	24.409	26.378	0.866	26	24600-3994	10.000	11.750	0.750
26	24600-3680	10.500	12.500	1.000	26	24600-4003	10.125	12.000	0.750
26	24600-3682	10.750	11.750	0.562	26	24600-4005	10.250	11.750	0.750
26	24600-3685	10.750	12.250	0.562	26	24600-4015	16.142	18.110	0.866
26	24600-3686	10.750	12.500	0.562	26	24600-4019	22.047	24.016	0.866
26	24600-3687	10.750	12.750	0.562	26	24600-4041	12.250	13.750	0.625
26	24600-3691	11.000	12.000	0.625	26	24600-4044	1.772	2.559	0.394
26	24600-3695	11.024	12.598	0.787	26	24600-4068	12.000	13.625	0.750
26	24600-3720	11.000	12.250	0.688	26	24600-4074	12.250	13.750	0.750
26	24600-3721	12.598	14.331	0.787	26	24600-4082	12.500	14.500	0.750
26	24600-3722	10.827	12.205	0.591	26	24600-4093	13.000	14.500	0.688
26	24600-3726	14.000	16.250	1.000	26	24600-4095	13.000	14.625	0.750
26	24600-3742	18.000	20.000	1.000	26	24600-4098	13.000	15.000	0.750
26	24600-3758	7.480	9.250	0.630	26	24600-4127	13.500	15.500	0.750
26	24600-3793	17.000	18.250	0.625	26	24600-4155	15.000	17.000	0.750
26	24600-3811	7.875	9.000	0.438	26	24600-4162	15.500	17.000	0.750
26	24600-3817	8.250	9.250	0.625	26	24600-4178	16.000	17.500	0.750
26	24600-3825	8.625	9.625	0.500	26	24600-4180	16.000	18.000	0.812

All dimensions are in inches. Preferred sizes are indicated with **bold** type face.

Sizes listed are for standard nitrile elements, except Models 25 and 62 which have PTFE elements. Other material available on inquiry only.

Garlock

Oil Seals by Model Number

MODEL NO	PART NO	SHAFT	BORE	WIDTH	MODEL NO	PART NO	SHAFT	BORE	WIDTH
26	24600-4221	19.500	21.500	0.875	26	24600-5231	8.268	9.803	0.866
26	24600-4224	3.425	4.685	0.492	26	24600-5233	11.024	12.441	0.709
26	24600-4225	3.976	5.551	0.630	26	24600-5239	1.250	1.750	0.250
26	24600-4226	5.433	7.008	0.630	26	24600-5273	7.188	8.640	0.625
26	24600-4227	7.007	8.582	0.629	26	24600-5335	5.906	7.087	0.551
26	24600-4232	12.250	14.000	0.750	26	24600-5338	8.267	9.448	0.590
26	24600-4269	22.000	23.500	0.750	26	24600-5341	12.992	14.173	0.590
26	24600-4294	24.000	26.000	0.875	26	24600-5343	3.346	4.331	0.512
26	24600-4345	9.843	11.024	0.650	26	24600-5344	3.543	4.528	0.512
26	24600-4380	10.250	13.750	0.750	26	24600-5345	3.937	4.922	0.512
26	24600-4388	6.187	7.508	0.250	26	24600-5348	4.725	5.906	0.551
26	24600-4393	17.322	18.897	0.787	26	24600-5351	10.236	11.417	0.590
26	24600-4394	14.173	15.748	0.709	26	24600-5353	4.134	5.315	0.550
26	24600-4395	5.905	7.480	0.590	26	24600-5359	9.449	10.630	0.591
26	24600-4396	15.748	17.322	0.787	26	24600-5429	10.236	11.811	0.787
26	24600-4397	12.598	14.173	0.787	26	24600-5439	4.750	5.625	0.437
26	24600-4405	34.500	36.500	0.875	26	24600-5445	10.629	11.811	0.630
26	24600-4406	4.500	5.750	0.438	26	24600-5454	32.969	34.625	0.750
26	24600-4486	18.110	20.079	0.866	26	24600-5456	13.500	15.000	0.653
26	24600-4496	12.500	14.000	0.625	26	24600-5457	5.250	6.000	0.375
26	24600-4515	9.750	11.000	0.625	26	24600-5491	21.882	23.732	0.866
26	24600-4530	13.750	15.250	0.750	26	24600-5492	21.654	23.622	0.925
26	24600-4557	3.000	4.000	0.500	26	24600-5493	20.276	21.850	0.787
26	24600-4582	2.000	2.625	0.312	26	24600-5495	4.750	5.625	0.625
26	24600-4611	8.070	9.258	0.591	26	24600-5637	3.875	4.750	0.375
26	24600-4612	12.000	13.500	0.688	26	24600-5714	20.079	21.260	0.433
26	24600-4614	4.500	5.500	0.375	26	24600-5715	23.622	24.803	0.433
26	24600-4632	1.574	2.448	0.314	26	24600-5844	1.875	2.625	0.312
26	24600-4633	1.771	2.568	0.398	26	24600-5913	3.938	5.000	0.500
26	24600-4634	3.937	4.734	0.511	26	24600-5918	1.575	2.047	0.276
26	24600-4635	4.330	5.127	0.511	26	24600-5919	7.087	7.874	0.591
26	24600-4645	4.000	5.250	0.312	26	24600-5924	3.937	6.693	0.374
26	24600-4651	4.000	5.000	0.500	26	24600-5942	12.750	14.250	0.750
26	24600-4657	0.875	1.875	0.312	26	24600-5987	14.562	16.000	0.625
26	24600-4710	3.435	5.000	0.500	26	24600-6042	6.000	7.125	0.625
26	24600-4803	9.125	10.375	0.625	26	24600-6175	7.250	8.250	0.438
26	24600-4817	3.937	4.937	0.500	26	24600-6182	7.375	8.375	0.437
26	24600-4856	19.291	21.260	0.866	26	24600-6185	7.750	8.750	0.437
26	24600-4873	4.500	5.500	0.437	26	24600-6207	1.375	1.875	0.250
26	24600-4927	10.000	11.000	0.375	26	24600-6372	6.750	7.750	0.500
26	24600-4941	15.354	16.929	0.787	26	24600-6384	8.500	9.750	0.625
26	24600-4977	17.000	19.000	0.625	26	24600-6386	8.750	10.000	0.625
26	24600-4997	7.480	8.464	0.629	26	24600-6395	11.000	13.000	0.750
26	24600-5002	3.543	4.330	0.511	26	24600-6450	6.250	7.250	0.438
26	24600-5067	27.559	30.079	0.984	26	24600-6471	2.750	3.750	0.500
26	24600-5077	16.000	18.000	0.875	26	24600-6570	8.625	9.875	0.625
26	24600-5102	13.780	15.512	0.787	26	24600-6808	10.000	11.250	0.625
26	24600-5111	10.236	11.417	0.630	26	24600-6839	3.250	4.250	0.437
26	24600-5114	12.500	13.500	0.500	26	24600-6867	6.229	7.549	0.625
26	24600-5115	2.362	3.150	0.394	26	24600-7033	0.750	1.250	0.250
26	24600-5120	16.250	17.750	0.680	26	24600-7059	18.500	20.500	0.750
26	24600-5192	8.062	9.562	0.500	26	24600-7101	8.500	10.500	0.750

All dimensions are in inches. Preferred sizes are indicated with **bold** type face. Sizes listed are for standard nitrile elements, except Models 25 and 62 which have PTFE elements. Other material available on inquiry only.

Oil Seals by Model Number

Garlock

MODEL NO	PART NO	SHAFT	BORE	WIDTH	MODEL NO	PART NO	SHAFT	BORE	WIDTH
26	24600-7209	2.165	3.937	0.375	26R1	24620-1035	6.299	7.677	0.709
26	24600-7213	3.125	3.875	0.375	26R1	24620-1036	7.480	8.858	0.630
26	24600-7263	11.500	12.750	0.625	26R1	24620-1037	11.811	13.583	0.866
26	24600-7267	5.511	6.692	0.590	26R1	24620-1038	16.535	18.898	1.102
26	24600-7276	6.299	7.480	0.591	26R1	24620-1079	1.890	2.750	0.470
26	24600-7281	18.898	20.472	0.787	26R1	24620-1106	1.969	2.441	0.276
26	24600-7288	10.433	11.683	0.625	26R1	24620-1107	1.968	2.834	0.472
26	24600-7374	3.250	4.250	0.500	26R1	24620-1108	1.969	2.677	0.354
26	24600-7618	18.250	20.250	0.812	26R1	24620-1109	1.937	3.548	0.375
26	24600-7682	3.125	4.250	0.625	26R1	24620-1189	2.000	2.750	0.375
26	24600-7801	15.250	16.750	0.750	26R1	24620-1201	2.000	2.997	0.375
26	24600-7832	11.250	12.750	0.625	26R1	24620-1258	2.062	3.000	0.375
26	24600-7836	4.724	6.299	0.472	26R1	24620-1321	2.125	2.878	0.375
26	24600-8233	3.250	4.249	0.375	26R1	24620-1355	2.125	3.545	0.438
26	24600-8313	9.625	10.875	0.625	26R1	24620-1369	2.165	2.835	0.315
26	24600-8592	3.875	4.875	0.437	26R1	24620-1370	2.165	3.070	0.472
26	24600-8814	12.283	13.750	0.688	26R1	24620-1371	2.165	3.070	0.354
26	24600-8815	14.016	15.000	0.688	26R1	24620-1575	2.312	3.250	0.500
26	24600-8830	10.787	12.250	0.688	26R1	24620-1605	2.362	2.953	0.315
26	24600-9175	5.314	6.692	0.512	26R1	24620-1606	2.362	3.228	0.472
26	24600-9535	0.750	1.625	0.312	26R1	24620-1642	2.375	3.125	0.375
26	24600-9538	1.770	2.834	0.375	26R1	24620-1686	2.500	3.125	0.312
26	24600-9646	3.937	5.062	0.375	26R1	24620-1726	2.437	3.147	0.375
26	24600-9662	4.000	5.000	0.437	26R1	24620-1735	2.437	3.250	0.375
26	24600-9722	1.500	2.250	0.250	26R1	24620-1819	2.500	3.500	0.375
26	24600-9780	6.500	7.500	0.562	26R1	24620-1837	9.645	12.007	0.984
26	24600-9960	4.250	5.250	0.437	26R1	24620-1857	2.375	3.372	0.438
26R1	24620-0041	9.250	10.500	0.625	26R1	24620-1859	2.559	3.464	0.472
26R1	24620-0044	9.250	11.250	0.750	26R1	24620-1953	1.969	3.543	0.394
26R1	24620-0209	0.866	1.378	0.276	26R1	24620-2026	2.756	3.346	0.315
26R1	24620-0280	0.984	1.496	0.276	26R1	24620-2027	2.755	3.622	0.472
26R1	24620-0379	1.181	1.968	0.434	26R1	24620-2034	4.331	5.118	0.472
26R1	24620-0572	1.378	1.969	0.315	26R1	24620-2035	2.750	3.500	0.375
26R1	24620-0573	1.378	2.165	0.434	26R1	24620-2037	2.750	3.500	0.500
26R1	24620-0574	1.337	2.165	0.315	26R1	24620-2054	2.750	3.625	0.438
26R1	24620-0664	4.875	5.875	0.500	26R1	24620-2058	2.750	3.750	0.438
26R1	24620-0678	6.250	7.250	0.500	26R1	24620-2122	2.156	4.725	0.375
26R1	24620-0729	1.574	2.440	0.433	26R1	24620-2135	17.992	20.000	0.748
26R1	24620-0760	1.625	2.375	0.375	26R1	24620-2177	3.000	4.125	0.500
26R1	24620-0846	3.465	4.331	0.591	26R1	24620-2187	3.000	4.125	0.438
26R1	24620-0895	1.732	2.362	0.354	26R1	24620-2215	3.150	4.134	0.512
26R1	24620-0896	1.750	2.750	0.312	26R1	24620-2216	3.125	4.249	0.438
26R1	24620-0909	1.750	2.625	0.500	26R1	24620-2217	3.125	4.506	0.500
26R1	24620-0935	1.772	2.441	0.312	26R1	24620-2279	4.528	5.512	0.472
26R1	24620-0963	5.500	7.000	0.500	26R1	24620-2420	3.625	4.751	0.500
26R1	24620-0979	15.551	17.283	0.741	26R1	24620-2432	3.625	5.250	0.500
26R1	24620-1007	15.000	17.500	1.250	26R1	24620-2437	3.543	4.330	0.472
26R1	24620-1030	1.575	2.559	0.472	26R1	24620-2494	3.938	4.881	0.625
26R1	24620-1031	2.362	3.543	0.551	26R1	24620-2554	4.000	4.875	0.500
26R1	24620-1032	2.756	3.543	0.472	26R1	24620-2621	1.969	4.331	0.375
26R1	24620-1033	3.150	3.937	0.394	26R1	24620-2669	3.188	4.999	0.438
26R1	24620-1034	4.134	5.315	0.551	26R1	24620-2703	4.331	5.512	0.551

All dimensions are in inches. Preferred sizes are indicated with **bold** type face.

Sizes listed are for standard nitrile elements, except Models 25 and 62 which have PTFE elements. Other material available on inquiry only.

Garlock

Oil Seals by Model Number

MODEL NO	PART NO	SHAFT	BORE	WIDTH	MODEL NO	PART NO	SHAFT	BORE	WIDTH
26R1	24620-2731	4.331	5.511	0.511	26R1	24620-4006	10.500	12.500	0.625
26R1	24620-2753	4.500	5.500	0.500	26R1	24620-4008	10.250	12.250	0.625
26R1	24620-2798	4.625	5.625	0.500	26R1	24620-4020	2.375	3.543	0.438
26R1	24620-2809	4.625	6.000	0.625	26R1	24620-4021	2.875	3.751	0.250
26R1	24620-2827	4.410	5.375	0.625	26R1	24620-4071	12.000	14.000	0.750
26R1	24620-2841	4.750	5.500	0.375	26R1	24620-4129	14.000	15.500	1.000
26R1	24620-2862	3.500	4.721	0.375	26R1	24620-4155	15.000	17.000	0.750
26R1	24620-2863	4.724	5.906	0.512	26R1	24620-4228	1.500	3.250	0.500
26R1	24620-2890	4.921	6.692	0.472	26R1	24620-4269	22.000	23.500	0.750
26R1	24620-2908	2.953	4.528	0.472	26R1	24620-4549	1.187	2.835	0.375
26R1	24620-2915	5.000	6.000	0.500	26R1	24620-4620	1.187	2.441	0.375
26R1	24620-2921	5.000	6.250	0.500	26R1	24620-4654	3.750	4.999	0.500
26R1	24620-2923	5.000	6.250	0.625	26R1	24620-4946	3.000	3.880	0.594
26R1	24620-2965	10.630	12.205	0.787	26R1	24620-5010	5.500	7.000	0.750
26R1	24620-2976	9.250	10.250	0.625	26R1	24620-5018	11.000	12.250	0.609
26R1	24620-2989	5.118	6.299	0.551	26R1	24620-5146	15.000	16.772	1.125
26R1	24620-3026	5.187	6.250	0.500	26R1	24620-5335	5.905	7.086	0.551
26R1	24620-3050	15.000	17.500	0.938	26R1	24620-5338	8.267	9.448	0.590
26R1	24620-3065	5.250	6.500	0.500	26R1	24620-5339	9.842	11.023	0.590
26R1	24620-3118	5.314	6.692	0.590	26R1	24620-5344	3.543	4.527	0.512
26R1	24620-3122	5.375	6.375	0.500	26R1	24620-5345	3.937	4.921	0.512
26R1	24620-3186	5.500	6.632	0.500	26R1	24620-5349	5.708	6.889	0.551
26R1	24620-3193	5.500	7.000	0.828	26R1	24620-5354	4.921	6.102	0.551
26R1	24620-3201	5.511	6.299	0.511	26R1	24620-5357	8.661	9.842	0.590
26R1	24620-3232	5.625	6.625	0.375	26R1	24620-5359	9.448	10.629	0.590
26R1	24620-3235	12.992	14.567	0.482	26R1	24620-5451	1.885	2.700	0.500
26R1	24620-3308	1.937	3.250	0.375	26R1	24620-5456	13.500	15.000	0.653
26R1	24620-3348	6.500	8.000	0.563	26R1	24620-5465	10.750	12.750	0.625
26R1	24620-3352	6.102	7.086	0.590	26R1	24620-5466	14.960	17.322	0.984
26R1	24620-3354	6.000	7.000	0.437	26R1	24620-5467	15.748	18.110	0.984
26R1	24620-3377	6.125	7.125	0.625	26R1	24620-5468	16.535	18.897	0.984
26R1	24620-3419	4.527	5.709	0.787	26R1	24620-5758	2.500	3.875	0.468
26R1	24620-3434	6.500	8.000	0.625	26R1	24620-5844	1.875	2.625	0.313
26R1	24620-3459	2.531	4.725	0.375	26R1	24620-6061	3.740	4.724	0.511
26R1	24620-3515	7.125	8.625	0.750	26R1	24620-6117	15.000	17.000	1.250
26R1	24620-3518	7.250	8.250	0.625	26R1	24620-6370	6.500	8.000	0.500
26R1	24620-3542	4.500	7.000	0.531	26R1	24620-6374	7.000	8.000	0.500
26R1	24620-3665	10.500	11.750	0.625	26R1	24620-6709	3.937	4.937	0.375
26R1	24620-3693	11.000	12.500	0.625	26R1	24620-7059	18.500	20.500	0.750
26R1	24620-3712	0.945	1.929	0.472	26R1	24620-7164	1.875	2.835	0.375
26R1	24620-3715	1.949	3.031	0.709	26R1	24620-7276	6.299	7.480	0.591
26R1	24620-3886	11.417	12.992	0.787	26R1	24620-7277	4.724	5.941	0.591
26R1	24620-3914	7.874	9.055	0.551	26R1	24620-7383	5.512	6.693	0.551
26R1	24620-3916	7.874	9.448	0.787	26R1	24620-7388	7.874	9.055	0.590
26R1	24620-3919	6.693	7.874	0.590	26R1	24620-7394	3.346	4.724	0.472
26R1	24620-3920	7.086	8.267	0.590	26R1	24620-7396	4.331	5.511	0.472
26R1	24620-3923	7.440	8.858	0.629	26R1	24620-7654	1.969	2.559	0.354
26R1	24620-3944	8.661	10.236	0.866	26R1	24620-8196	14.566	16.141	0.787
26R1	24620-3956	9.055	10.590	0.866	26R1	24620-8881	0.750	1.375	0.250
26R1	24620-3973	9.448	11.024	0.748	26R1	24620-9030	3.937	4.724	0.512
26R1	24620-3974	9.448	11.417	0.748	26R1	24620-9094	2.750	3.881	0.750
26R1	24620-3987	2.500	3.750	0.687	26R1	24620-9190	3.740	4.725	0.472

All dimensions are in inches. Preferred sizes are indicated with **bold** type face.
 Sizes listed are for standard nitrile elements, except Models 25 and 62 which have PTFE elements. Other material available on inquiry only.

Oil Seals by Model Number

Garlock

MODEL NO	PART NO	SHAFT	BORE	WIDTH	MODEL NO	PART NO	SHAFT	BORE	WIDTH
26R1	24620-9388	9.250	11.250	0.625	53	21086-2277	3.250	4.500	0.562
26R1	24620-9708	4.375	5.375	0.687	53	21086-2278	3.250	4.500	0.625
53	21086-0989	3.312	5.250	0.500	53	21086-2279	3.250	4.625	0.500
53	21086-2177	3.000	4.125	0.500	53	21086-2282	3.250	4.750	0.500
53	21086-2178	3.000	4.125	0.563	53	21086-2283	3.250	4.750	0.562
53	21086-2180	3.000	4.249	0.500	53	21086-2284	3.250	4.750	0.625
53	21086-2182	3.000	4.249	0.625	53	21086-2285	3.250	4.875	0.500
53	21086-2183	3.000	4.375	0.500	53	21086-2287	3.250	4.875	0.625
53	21086-2184	3.000	4.375	0.562	53	21086-2288	3.250	4.999	0.500
53	21086-2186	3.000	4.500	0.500	53	21086-2297	3.312	4.375	0.500
53	21086-2188	3.000	4.500	0.625	53	21086-2299	3.312	4.375	0.625
53	21086-2189	3.000	4.625	0.500	53	21086-2300	3.312	4.500	0.500
53	21086-2192	3.000	4.750	0.500	53	21086-2302	3.312	4.500	0.625
53	21086-2195	3.000	4.875	0.500	53	21086-2303	3.312	4.625	0.500
53	21086-2198	3.000	4.999	0.500	53	21086-2306	3.312	4.750	0.500
53	21086-2201	3.062	4.125	0.500	53	21086-2309	3.312	4.875	0.500
53	21086-2202	3.062	4.125	0.562	53	21086-2312	3.312	4.999	0.500
53	21086-2204	3.062	4.249	0.500	53	21086-2315	3.312	5.125	0.500
53	21086-2210	3.062	4.500	0.500	53	21086-2321	3.375	4.375	0.500
53	21086-2213	3.062	4.625	0.500	53	21086-2323	3.375	4.375	0.625
53	21086-2219	3.062	4.875	0.500	53	21086-2324	3.375	4.500	0.500
53	21086-2221	3.062	4.875	0.625	53	21086-2325	3.375	4.500	0.562
53	21086-2222	3.062	4.999	0.500	53	21086-2326	3.375	4.500	0.625
53	21086-2225	3.125	4.125	0.500	53	21086-2327	3.375	4.625	0.500
53	21086-2226	3.125	4.125	0.562	53	21086-2329	3.375	4.625	0.625
53	21086-2228	3.125	4.249	0.500	53	21086-2330	3.375	4.750	0.500
53	21086-2229	3.125	4.249	0.562	53	21086-2333	3.375	4.875	0.500
53	21086-2230	3.125	4.249	0.625	53	21086-2336	3.375	4.999	0.500
53	21086-2231	3.125	4.375	0.500	53	21086-2339	3.375	5.125	0.500
53	21086-2234	3.125	4.500	0.500	53	21086-2342	3.375	5.250	0.500
53	21086-2236	3.125	4.500	0.625	53	21086-2345	3.437	4.500	0.500
53	21086-2237	3.125	4.625	0.500	53	21086-2348	3.437	4.625	0.500
53	21086-2240	3.125	4.750	0.500	53	21086-2351	3.437	4.750	0.500
53	21086-2243	3.125	4.875	0.500	53	21086-2353	3.437	4.750	0.625
53	21086-2246	3.125	4.999	0.500	53	21086-2354	3.437	4.875	0.500
53	21086-2249	3.187	4.249	0.500	53	21086-2356	3.437	4.875	0.625
53	21086-2250	3.187	4.249	0.562	53	21086-2357	3.437	4.999	0.500
53	21086-2251	3.187	4.249	0.625	53	21086-2360	3.437	5.125	0.500
53	21086-2252	3.187	4.375	0.500	53	21086-2362	3.437	5.125	0.625
53	21086-2253	3.187	4.375	0.562	53	21086-2363	3.437	5.250	0.500
53	21086-2254	3.187	4.375	0.625	53	21086-2365	3.437	5.250	0.625
53	21086-2255	3.187	4.500	0.500	53	21086-2366	3.500	4.500	0.500
53	21086-2257	3.187	4.500	0.562	53	21086-2367	3.500	4.500	0.562
53	21086-2260	3.187	4.625	0.625	53	21086-2368	3.500	4.500	0.625
53	21086-2261	3.187	4.750	0.500	53	21086-2369	3.500	4.625	0.500
53	21086-2264	3.187	4.875	0.500	53	21086-2370	3.500	4.625	0.562
53	21086-2267	3.187	4.999	0.500	53	21086-2371	3.500	4.625	0.625
53	21086-2270	3.250	4.249	0.500	53	21086-2372	3.500	4.750	0.500
53	21086-2271	3.250	4.249	0.562	53	21086-2373	3.500	4.750	0.562
53	21086-2272	3.250	4.249	0.625	53	21086-2374	3.500	4.750	0.625
53	21086-2273	3.250	4.375	0.500	53	21086-2375	3.500	4.875	0.500
53	21086-2276	3.250	4.500	0.500	53	21086-2378	3.500	4.999	0.500

All dimensions are in inches. Preferred sizes are indicated with **bold** type face.

Sizes listed are for standard nitrile elements, except Models 25 and 62 which have PTFE elements. Other material available on inquiry only.

Garlock

Oil Seals by Model Number

MODEL NO	PART NO	SHAFT	BORE	WIDTH	MODEL NO	PART NO	SHAFT	BORE	WIDTH
53	21086-2380	3.500	4.999	0.625	53	21086-2489	3.812	5.125	0.500
53	21086-2381	3.500	5.125	0.500	53	21086-2492	3.812	5.250	0.500
53	21086-2384	3.500	5.250	0.500	53	21086-2495	3.812	5.375	0.500
53	21086-2386	3.500	5.250	0.625	53	21086-2498	3.812	5.500	0.500
53	21086-2387	3.500	5.375	0.500	53	21086-2501	3.875	4.875	0.500
53	21086-2390	3.500	5.500	0.500	53	21086-2504	3.875	4.999	0.500
53	21086-2392	3.500	5.500	0.625	53	21086-2506	3.875	4.999	0.625
53	21086-2393	3.562	4.625	0.500	53	21086-2507	3.875	5.125	0.500
53	21086-2396	3.562	4.750	0.500	53	21086-2510	3.875	5.250	0.500
53	21086-2397	3.562	4.750	0.562	53	21086-2511	3.875	5.250	0.562
53	21086-2398	3.562	4.750	0.625	53	21086-2513	3.875	5.375	0.500
53	21086-2399	3.562	4.875	0.500	53	21086-2516	3.875	5.500	0.500
53	21086-2402	3.562	4.999	0.500	53	21086-2519	3.937	4.999	0.500
53	21086-2405	3.562	5.125	0.500	53	21086-2520	3.937	4.999	0.562
53	21086-2408	3.562	5.250	0.500	53	21086-2521	3.937	4.999	0.625
53	21086-2414	3.562	5.500	0.500	53	21086-2522	3.937	5.125	0.500
53	21086-2417	3.625	4.625	0.500	53	21086-2524	3.937	5.125	0.625
53	21086-2418	3.625	4.625	0.562	53	21086-2525	3.937	5.250	0.500
53	21086-2419	3.625	4.625	0.625	53	21086-2527	3.937	5.250	0.625
53	21086-2420	3.625	4.750	0.500	53	21086-2528	3.937	5.375	0.500
53	21086-2421	3.625	4.750	0.562	53	21086-2531	3.937	5.500	0.500
53	21086-2423	3.625	4.875	0.500	53	21086-2534	3.937	5.625	0.500
53	21086-2424	3.625	4.875	0.562	53	21086-2537	4.000	4.999	0.500
53	21086-2425	3.625	4.875	0.625	53	21086-2539	4.000	4.999	0.625
53	21086-2426	3.625	4.999	0.500	53	21086-2540	4.000	5.125	0.500
53	21086-2428	3.625	4.999	0.625	53	21086-2541	4.000	5.125	0.563
53	21086-2429	3.625	5.125	0.500	53	21086-2542	4.000	5.125	0.625
53	21086-2432	3.625	5.250	0.500	53	21086-2543	4.000	5.250	0.500
53	21086-2435	3.625	5.375	0.500	53	21086-2544	4.000	5.250	0.563
53	21086-2438	3.625	5.500	0.500	53	21086-2545	4.000	5.250	0.625
53	21086-2441	3.687	4.750	0.500	53	21086-2546	4.000	5.375	0.500
53	21086-2442	3.687	4.750	0.562	53	21086-2549	4.000	5.500	0.500
53	21086-2444	3.687	4.875	0.500	53	21086-2550	4.000	5.500	0.563
53	21086-2447	3.687	4.999	0.500	53	21086-2551	4.000	5.500	0.625
53	21086-2450	3.687	5.125	0.500	53	21086-2552	4.000	5.625	0.500
53	21086-2453	3.687	5.250	0.500	53	21086-2555	4.000	5.750	0.500
53	21086-2456	3.687	5.375	0.500	53	21086-2556	4.000	5.750	0.563
53	21086-2459	3.687	5.500	0.500	53	21086-2558	4.000	5.875	0.500
53	21086-2462	3.750	4.750	0.500	53	21086-2561	4.000	6.000	0.500
53	21086-2463	3.750	4.750	0.562	53	21086-2564	4.000	6.125	0.500
53	21086-2464	3.750	4.750	0.625	53	21086-2566	4.000	6.125	0.625
53	21086-2465	3.750	4.875	0.500	53	21086-2567	4.000	6.250	0.500
53	21086-2466	3.750	4.875	0.562	53	21086-2568	4.000	6.250	0.563
53	21086-2468	3.750	4.999	0.500	53	21086-2569	4.000	6.250	0.625
53	21086-2469	3.750	4.999	0.562	53	21086-2570	4.063	5.125	0.500
53	21086-2470	3.750	4.999	0.625	53	21086-2573	4.063	5.250	0.500
53	21086-2471	3.750	5.125	0.500	53	21086-2579	4.063	5.500	0.500
53	21086-2474	3.750	5.250	0.500	53	21086-2588	4.063	5.875	0.500
53	21086-2476	3.750	5.250	0.625	53	21086-2600	4.125	5.125	0.500
53	21086-2480	3.750	5.500	0.500	53	21086-2603	4.125	5.250	0.500
53	21086-2483	3.812	4.875	0.500	53	21086-2604	4.125	5.250	0.562
53	21086-2486	3.812	4.999	0.500	53	21086-2605	4.125	5.250	0.625

All dimensions are in inches. Preferred sizes are indicated with **bold** type face. Sizes listed are for standard nitrile elements, except Models 25 and 62 which have PTFE elements. Other material available on inquiry only.

Oil Seals by Model Number

Garlock

MODEL NO	PART NO	SHAFT	BORE	WIDTH	MODEL NO	PART NO	SHAFT	BORE	WIDTH
B					53	21086-2732	4.437	5.500	0.500
53	21086-2608	4.125	5.375	0.625	53	21086-2733	4.437	5.500	0.562
53	21086-2609	4.125	5.500	0.500	53	21086-2735	4.437	5.625	0.500
53	21086-2610	4.125	5.500	0.563	53	21086-2738	4.437	5.750	0.500
53	21086-2612	4.125	5.625	0.500	53	21086-2739	4.437	5.750	0.562
53	21086-2618	4.125	5.875	0.500	53	21086-2740	4.437	5.750	0.625
53	21086-2621	4.125	6.000	0.500	53	21086-2744	4.437	6.000	0.500
53	21086-2627	4.125	6.250	0.500	53	21086-2747	4.437	6.125	0.500
53	21086-2630	4.187	5.250	0.500	53	21086-2750	4.437	6.250	0.500
53	21086-2633	4.187	5.375	0.500	53	21086-2751	4.437	6.250	0.562
53	21086-2635	4.187	5.375	0.625	53	21086-2753	4.500	5.500	0.500
53	21086-2636	4.187	5.500	0.500	53	21086-2754	4.500	5.500	0.562
53	21086-2637	4.187	5.500	0.562	53	21086-2755	4.500	5.500	0.625
53	21086-2639	4.187	5.625	0.500	53	21086-2756	4.500	5.625	0.500
53	21086-2642	4.187	5.750	0.500	53	21086-2757	4.500	5.625	0.562
53	21086-2645	4.187	5.875	0.500	53	21086-2758	4.500	5.625	0.625
53	21086-2648	4.187	6.000	0.500	53	21086-2759	4.500	5.750	0.500
53	21086-2651	4.187	6.125	0.500	53	21086-2760	4.500	5.750	0.562
53	21086-2654	4.187	6.250	0.500	53	21086-2761	4.500	5.750	0.625
53	21086-2657	4.250	5.250	0.500	53	21086-2762	4.500	5.875	0.500
53	21086-2659	4.250	5.250	0.625	53	21086-2765	4.500	6.000	0.500
53	21086-2660	4.250	5.375	0.500	53	21086-2766	4.500	6.000	0.562
53	21086-2662	4.250	5.375	0.625	53	21086-2767	4.500	6.000	0.625
53	21086-2663	4.250	5.500	0.500	53	21086-2768	4.500	6.125	0.500
53	21086-2664	4.250	5.500	0.562	53	21086-2771	4.500	6.250	0.500
53	21086-2665	4.250	5.500	0.625	53	21086-2774	4.500	6.375	0.500
53	21086-2666	4.250	5.625	0.500	53	21086-2776	4.500	6.375	0.625
53	21086-2669	4.250	5.750	0.500	53	21086-2777	4.562	5.625	0.500
53	21086-2670	4.250	5.750	0.562	53	21086-2780	4.562	5.750	0.500
53	21086-2671	4.250	5.750	0.625	53	21086-2782	4.562	5.750	0.625
53	21086-2675	4.250	6.000	0.500	53	21086-2783	4.562	5.875	0.500
53	21086-2678	4.250	6.125	0.500	53	21086-2786	4.562	6.000	0.500
53	21086-2681	4.250	6.250	0.500	53	21086-2789	4.562	6.125	0.500
53	21086-2682	4.250	6.250	0.562	53	21086-2792	4.562	6.250	0.500
53	21086-2684	4.312	5.375	0.500	53	21086-2795	4.562	6.375	0.500
53	21086-2687	4.312	5.500	0.500	53	21086-2798	4.625	5.625	0.500
53	21086-2689	4.312	5.500	0.625	53	21086-2799	4.625	5.625	0.562
53	21086-2690	4.312	5.625	0.500	53	21086-2801	4.625	5.750	0.500
53	21086-2693	4.312	5.750	0.500	53	21086-2802	4.625	5.750	0.562
53	21086-2694	4.312	5.750	0.562	53	21086-2804	4.625	5.875	0.500
53	21086-2699	4.312	6.000	0.500	53	21086-2807	4.625	6.000	0.500
53	21086-2705	4.312	6.250	0.500	53	21086-2809	4.625	6.000	0.625
53	21086-2708	4.375	5.375	0.500	53	21086-2810	4.625	6.125	0.500
53	21086-2711	4.375	5.500	0.500	53	21086-2813	4.625	6.250	0.500
53	21086-2712	4.375	5.500	0.562	53	21086-2818	4.449	5.512	0.492
53	21086-2714	4.375	5.625	0.500	53	21086-2819	4.687	5.750	0.500
53	21086-2717	4.375	5.750	0.500	53	21086-2820	4.687	5.750	0.562
53	21086-2720	4.375	5.875	0.500	53	21086-2822	4.687	5.875	0.500
53	21086-2723	4.375	6.000	0.500	53	21086-2825	4.687	6.000	0.500
53	21086-2726	4.375	6.125	0.500	53	21086-2831	4.687	6.250	0.500
53	21086-2729	4.375	6.250	0.500	53	21086-2834	4.687	6.375	0.500
53	21086-2730	4.375	6.250	0.562	53	21086-2837	4.750	5.750	0.500

All dimensions are in inches. Preferred sizes are indicated with **bold** type face.

Sizes listed are for standard nitrile elements, except Models 25 and 62 which have PTFE elements. Other material available on inquiry only.

Garlock

Oil Seals by Model Number

MODEL NO	PART NO	SHAFT	BORE	WIDTH	MODEL NO	PART NO	SHAFT	BORE	WIDTH
53	21086-2838	4.750	5.750	0.562	53	21086-2941	5.000	7.000	0.625
53	21086-2839	4.750	5.750	0.625	53	21086-2942	5.000	7.125	0.500
53	21086-2840	4.750	5.875	0.500	53	21086-2945	5.000	7.250	0.500
53	21086-2842	4.750	5.875	0.625	53	21086-2948	5.000	7.375	0.500
53	21086-2843	4.750	6.000	0.500	53	21086-2951	5.000	7.500	0.500
53	21086-2845	4.750	6.000	0.625	53	21086-2954	5.062	6.125	0.500
53	21086-2846	4.750	6.125	0.500	53	21086-2957	5.062	6.250	0.500
53	21086-2849	4.750	6.250	0.500	53	21086-2990	5.125	6.125	0.500
53	21086-2851	4.750	6.250	0.625	53	21086-2992	5.125	6.125	0.625
53	21086-2852	4.750	6.375	0.500	53	21086-2993	5.125	6.250	0.500
53	21086-2855	4.812	5.875	0.500	53	21086-2994	5.125	6.250	0.562
53	21086-2857	4.812	5.875	0.625	53	21086-2996	5.125	6.375	0.500
53	21086-2858	4.812	6.000	0.500	53	21086-2997	5.125	6.375	0.562
53	21086-2864	4.812	6.250	0.500	53	21086-2998	5.125	6.375	0.625
53	21086-2869	4.812	6.375	0.625	53	21086-2999	5.125	6.500	0.500
53	21086-2870	4.875	5.875	0.500	53	21086-3001	5.125	6.500	0.625
53	21086-2872	4.875	5.875	0.625	53	21086-3002	5.125	6.625	0.500
53	21086-2873	4.875	6.000	0.500	53	21086-3005	5.125	6.750	0.500
53	21086-2875	4.875	6.000	0.625	53	21086-3011	5.125	7.000	0.500
53	21086-2876	4.875	6.125	0.500	53	21086-3013	5.125	7.000	0.625
53	21086-2878	4.875	6.125	0.625	53	21086-3017	5.125	7.250	0.500
53	21086-2879	4.875	6.250	0.500	53	21086-3023	5.125	7.500	0.500
53	21086-2881	4.875	6.250	0.625	53	21086-3025	5.125	7.500	0.625
53	21086-2882	4.875	6.375	0.509	53	21086-3026	5.187	6.250	0.500
53	21086-2885	4.875	6.500	0.500	53	21086-3029	5.187	6.375	0.500
53	21086-2888	4.875	6.625	0.500	53	21086-3032	5.187	6.500	0.500
53	21086-2891	4.875	6.750	0.500	53	21086-3034	5.187	6.500	0.625
53	21086-2894	4.937	6.000	0.500	53	21086-3035	5.187	6.625	0.500
53	21086-2896	4.937	6.000	0.625	53	21086-3038	5.187	6.750	0.500
53	21086-2897	4.937	6.125	0.500	53	21086-3044	5.187	7.000	0.500
53	21086-2900	4.937	6.250	0.500	53	21086-3056	5.187	7.500	0.500
53	21086-2901	4.937	6.250	0.562	53	21086-3059	5.250	6.250	0.500
53	21086-2903	4.937	6.375	0.500	53	21086-3062	5.250	6.375	0.500
53	21086-2906	4.937	6.500	0.500	53	21086-3065	5.250	6.500	0.500
53	21086-2908	4.937	6.500	0.625	53	21086-3067	5.250	6.500	0.625
53	21086-2912	4.937	6.750	0.500	53	21086-3068	5.250	6.625	0.500
53	21086-2915	5.000	6.000	0.500	53	21086-3070	5.250	6.625	0.625
53	21086-2916	5.000	6.000	0.562	53	21086-3071	5.250	6.750	0.500
53	21086-2917	5.000	6.000	0.625	53	21086-3077	5.250	7.000	0.500
53	21086-2918	5.000	6.125	0.500	53	21086-3080	5.250	7.125	0.500
53	21086-2921	5.000	6.250	0.500	53	21086-3092	5.312	6.375	0.500
53	21086-2922	5.000	6.250	0.562	53	21086-3095	5.312	6.500	0.500
53	21086-2923	5.000	6.250	0.625	53	21086-3098	5.312	6.625	0.500
53	21086-2924	5.000	6.375	0.500	53	21086-3101	5.312	6.750	0.500
53	21086-2926	5.000	6.375	0.625	53	21086-3104	5.312	6.875	0.500
53	21086-2927	5.000	6.500	0.500	53	21086-3113	5.312	7.250	0.500
53	21086-2929	5.000	6.500	0.625	53	21086-3122	5.375	6.375	0.500
53	21086-2930	5.000	6.625	0.500	53	21086-3125	5.375	6.500	0.500
53	21086-2933	5.000	6.750	0.500	53	21086-3126	5.375	6.500	0.562
53	21086-2935	5.000	6.750	0.625	53	21086-3127	5.375	6.500	0.625
53	21086-2936	5.000	6.875	0.500	53	21086-3128	5.375	6.625	0.500
53	21086-2939	5.000	7.000	0.500	53	21086-3129	5.375	6.625	0.562

All dimensions are in inches. Preferred sizes are indicated with **bold** type face. Sizes listed are for standard nitrile elements, except Models 25 and 62 which have PTFE elements. Other material available on inquiry only.

Oil Seals by Model Number

Garlock

MODEL NO	PART NO	SHAFT	BORE	WIDTH	MODEL NO	PART NO	SHAFT	BORE	WIDTH
53	21086-3130	5.375	6.625	0.625	53	21086-3276	5.750	6.750	0.562
53	21086-3131	5.375	6.750	0.500	53	21086-3278	5.750	6.875	0.500
53	21086-3134	5.375	6.875	0.500	53	21086-3281	5.750	7.000	0.500
53	21086-3136	5.375	6.875	0.625	53	21086-3282	5.750	7.000	0.562
53	21086-3139	5.375	7.000	0.625	53	21086-3283	5.750	7.000	0.625
53	21086-3142	5.375	7.125	0.625	53	21086-3284	5.750	7.125	0.500
53	21086-3151	5.375	7.500	0.625	53	21086-3287	5.750	7.250	0.500
53	21086-3152	5.437	6.625	0.500	53	21086-3289	5.750	7.250	0.625
53	21086-3155	5.437	6.750	0.500	53	21086-3290	5.750	7.375	0.500
53	21086-3156	5.437	6.750	0.562	53	21086-3292	5.750	7.375	0.625
53	21086-3158	5.437	6.875	0.500	53	21086-3293	5.750	7.500	0.500
53	21086-3161	5.437	7.000	0.500	53	21086-3296	5.750	7.500	0.750
53	21086-3164	5.437	7.125	0.500	53	21086-3297	5.812	6.875	0.500
53	21086-3167	5.437	7.250	0.500	53	21086-3300	5.812	7.000	0.500
53	21086-3176	5.500	6.500	0.500	53	21086-3305	5.812	7.125	0.500
53	21086-3178	5.500	6.500	0.625	53	21086-3306	5.812	7.250	0.500
53	21086-3179	5.500	6.625	0.500	53	21086-3309	5.812	7.375	0.500
53	21086-3180	5.500	6.625	0.562	53	21086-3312	5.812	7.500	0.500
53	21086-3181	5.500	6.625	0.625	53	21086-3316	5.875	6.875	0.500
53	21086-3182	5.500	6.750	0.500	53	21086-3319	5.875	7.000	0.500
53	21086-3183	5.500	6.750	0.562	53	21086-3322	5.875	7.125	0.500
53	21086-3184	5.500	6.750	0.625	53	21086-3323	5.875	7.125	0.562
53	21086-3185	5.500	6.875	0.500	53	21086-3324	5.875	7.125	0.625
53	21086-3188	5.500	7.000	0.500	53	21086-3325	5.875	7.250	0.500
53	21086-3190	5.500	7.000	0.625	53	21086-3328	5.875	7.375	0.500
53	21086-3191	5.500	7.125	0.500	53	21086-3331	5.875	7.500	0.500
53	21086-3194	5.500	7.250	0.500	53	21086-3335	5.937	7.000	0.500
53	21086-3200	5.500	7.500	0.500	53	21086-3337	5.937	7.000	0.625
53	21086-3203	5.562	6.625	0.500	53	21086-3338	5.937	7.125	0.500
53	21086-3208	5.562	6.750	0.625	53	21086-3341	5.937	7.250	0.500
53	21086-3218	5.562	7.250	0.500	53	21086-3343	5.937	7.250	0.625
53	21086-3221	5.562	7.375	0.500	53	21086-3344	5.937	7.375	0.500
53	21086-3226	5.562	7.500	0.625	53	21086-3347	5.937	7.500	0.500
53	21086-3228	5.625	6.625	0.500	53	21086-3351	5.937	7.625	0.500
53	21086-3230	5.625	6.625	0.625	53	21086-3355	6.000	7.000	0.500
53	21086-3231	5.625	6.750	0.500	53	21086-3356	6.000	7.000	0.562
53	21086-3234	5.625	6.875	0.500	53	21086-3357	6.000	7.000	0.625
53	21086-3235	5.625	6.875	0.562	53	21086-3358	6.000	7.125	0.500
53	21086-3236	5.625	6.875	0.625	53	21086-3359	6.000	7.125	0.562
53	21086-3237	5.625	7.000	0.500	53	21086-3360	6.000	7.125	0.625
53	21086-3240	5.625	7.125	0.500	53	21086-3361	6.000	7.250	0.500
53	21086-3243	5.625	7.250	0.500	53	21086-3363	6.000	7.250	0.625
53	21086-3245	5.625	7.250	0.625	53	21086-3364	6.000	7.375	0.500
53	21086-3246	5.625	7.375	0.500	53	21086-3367	6.000	7.500	0.500
53	21086-3249	5.625	7.500	0.500	53	21086-3369	6.000	7.500	0.625
53	21086-3253	5.687	6.750	0.500	53	21086-3370	6.000	7.500	0.750
53	21086-3258	5.687	6.875	0.625	53	21086-3371	6.000	7.625	0.500
53	21086-3259	5.687	7.000	0.500	53	21086-3372	6.000	7.625	0.562
53	21086-3268	5.687	7.375	0.500	53	21086-3374	6.000	7.625	0.750
53	21086-3270	5.687	7.375	0.625	53	21086-3375	6.125	7.125	0.500
53	21086-3271	5.687	7.500	0.500	53	21086-3377	6.125	7.125	0.625
53	21086-3275	5.750	6.750	0.500	53	21086-3378	6.125	7.250	0.500

All dimensions are in inches. Preferred sizes are indicated with **bold** type face.

Sizes listed are for standard nitrile elements, except Models 25 and 62 which have PTFE elements. Other material available on inquiry only.

Garlock

Oil Seals by Model Number

MODEL NO	PART NO	SHAFT	BORE	WIDTH	MODEL NO	PART NO	SHAFT	BORE	WIDTH
53	21086-3380	6.125	7.250	0.625	53	21086-3478	6.875	8.125	0.625
53	21086-3381	6.125	7.375	0.500	53	21086-3480	6.875	8.250	0.625
53	21086-3383	6.125	7.375	0.625	53	21086-3482	6.875	8.375	0.625
53	21086-3384	6.125	7.500	0.500	53	21086-3483	6.875	8.375	0.750
53	21086-3387	6.125	7.500	0.750	53	21086-3484	6.875	8.500	0.625
53	21086-3388	6.250	7.250	0.500	53	21086-3485	6.875	8.500	0.750
53	21086-3391	6.250	7.375	0.500	53	21086-3488	6.875	8.750	0.625
53	21086-3394	6.250	7.500	0.500	53	21086-3492	7.000	8.000	0.625
53	21086-3395	6.250	7.500	0.562	53	21086-3494	7.000	8.125	0.625
53	21086-3396	6.250	7.500	0.625	53	21086-3495	7.000	8.125	0.750
53	21086-3397	6.250	7.500	0.750	53	21086-3496	7.000	8.250	0.625
53	21086-3398	6.250	7.625	0.500	53	21086-3498	7.000	8.375	0.625
53	21086-3402	6.250	7.750	0.500	53	21086-3500	7.000	8.500	0.625
53	21086-3405	6.250	7.750	0.750	53	21086-3501	7.000	8.500	0.750
53	21086-3406	6.375	7.375	0.500	53	21086-3504	7.000	8.750	0.625
53	21086-3409	6.375	7.500	0.500	53	21086-3506	7.125	8.125	0.625
53	21086-3413	6.375	7.625	0.500	53	21086-3508	7.125	8.250	0.625
53	21086-3415	6.375	7.625	0.625	53	21086-3510	7.125	8.375	0.625
53	21086-3417	6.375	7.750	0.500	53	21086-3512	7.125	8.500	0.625
53	21086-3421	6.375	7.875	0.500	53	21086-3514	7.125	8.625	0.625
53	21086-3423	6.375	7.875	0.625	53	21086-3515	7.125	8.625	0.750
53	21086-3424	6.375	7.875	0.750	53	21086-3516	7.125	8.750	0.625
53	21086-3425	6.437	7.750	0.750	53	21086-3518	7.250	8.250	0.625
53	21086-3426	6.500	7.500	0.625	53	21086-3519	7.250	8.250	0.750
53	21086-3428	6.500	7.625	0.625	53	21086-3520	7.250	8.375	0.625
53	21086-3430	6.500	7.750	0.625	53	21086-3522	7.250	8.500	0.625
53	21086-3432	6.500	7.875	0.625	53	21086-3523	7.250	8.500	0.750
53	21086-3434	6.500	8.000	0.625	53	21086-3524	7.250	8.625	0.625
53	21086-3435	6.500	8.000	0.750	53	21086-3526	7.250	8.750	0.625
53	21086-3436	6.625	7.625	0.625	53	21086-3527	7.250	8.750	0.750
53	21086-3438	6.625	7.750	0.625	53	21086-3528	7.375	8.375	0.625
53	21086-3440	6.625	7.875	0.625	53	21086-3529	7.375	8.375	0.750
53	21086-3442	6.625	8.000	0.625	53	21086-3530	7.375	8.500	0.625
53	21086-3444	6.625	8.125	0.625	53	21086-3532	7.375	8.625	0.625
53	21086-3445	6.625	8.125	0.750	53	21086-3534	7.375	8.750	0.625
53	21086-3446	6.625	8.250	0.625	53	21086-3536	7.375	8.875	0.625
53	21086-3447	6.625	8.250	0.750	53	21086-3538	7.375	9.000	0.625
53	21086-3448	6.625	8.375	0.625	53	21086-3540	7.375	9.125	0.625
53	21086-3450	6.625	8.500	0.625	53	21086-3542	7.375	9.250	0.625
53	21086-3454	6.625	8.750	0.625	53	21086-3544	7.500	8.500	0.625
53	21086-3456	6.750	7.750	0.625	53	21086-3546	7.500	8.625	0.625
53	21086-3458	6.750	7.875	0.625	53	21086-3548	7.500	8.750	0.625
53	21086-3460	6.750	8.000	0.625	53	21086-3550	7.500	8.875	0.625
53	21086-3462	6.750	8.125	0.625	53	21086-3552	7.500	9.000	0.625
53	21086-3464	6.750	8.250	0.625	53	21086-3553	7.500	9.000	0.750
53	21086-3465	6.750	8.250	0.750	53	21086-3554	7.500	9.125	0.625
53	21086-3466	6.750	8.375	0.625	53	21086-3555	7.500	9.125	0.750
53	21086-3468	6.750	8.500	0.625	53	21086-3556	7.500	9.250	0.625
53	21086-3470	6.750	8.625	0.625	53	21086-3558	7.625	8.625	0.625
53	21086-3472	6.750	8.750	0.625	53	21086-3560	7.625	8.750	0.625
53	21086-3474	6.875	7.875	0.625	53	21086-3562	7.625	8.875	0.625
53	21086-3476	6.875	8.000	0.625	53	21086-3564	7.625	9.000	0.625

All dimensions are in inches. Preferred sizes are indicated with **bold** type face. Sizes listed are for standard nitrile elements, except Models 25 and 62 which have PTFE elements. Other material available on inquiry only.

Oil Seals by Model Number

Garlock

MODEL NO	PART NO	SHAFT	BORE	WIDTH	MODEL NO	PART NO	SHAFT	BORE	WIDTH
53	21086-3565	7.625	9.000	0.750	53	21086-3635	9.437	10.500	0.750
53	21086-3566	7.625	9.125	0.625	53	21086-3636	9.437	10.625	0.750
53	21086-3567	7.625	9.125	0.750	53	21086-3638	9.500	10.500	0.625
53	21086-3568	7.625	9.250	0.625	53	21086-3639	9.500	10.625	0.625
53	21086-3570	7.750	8.750	0.625	53	21086-3640	9.500	10.750	0.625
53	21086-3572	7.750	8.875	0.625	53	21086-3642	9.500	11.000	0.625
53	21086-3574	7.750	9.000	0.625	53	21086-3643	9.500	11.125	0.625
53	21086-3576	7.750	9.125	0.625	53	21086-3644	9.500	11.250	0.625
53	21086-3578	7.750	9.250	0.625	53	21086-3645	9.500	11.375	0.625
53	21086-3579	7.750	9.250	0.750	53	21086-3646	9.500	11.500	0.625
53	21086-3580	7.875	8.875	0.625	53	21086-3648	9.500	11.500	1.000
53	21086-3582	7.875	9.000	0.625	53	21086-3649	9.625	11.625	1.000
53	21086-3584	7.875	9.125	0.625	53	21086-3650	9.750	10.750	0.750
53	21086-3586	7.875	9.250	0.625	53	21086-3652	9.750	11.000	0.750
53	21086-3588	7.875	9.375	0.625	53	21086-3653	9.750	11.125	0.750
53	21086-3589	7.875	9.375	0.750	53	21086-3654	9.750	11.250	0.750
53	21086-3590	7.937	9.125	0.625	53	21086-3655	9.750	11.750	1.000
53	21086-3592	8.000	9.000	0.625	53	21086-3658	9.937	12.000	1.000
53	21086-3593	8.000	9.000	0.750	53	21086-3659	9.937	12.125	1.000
53	21086-3594	8.000	9.125	0.625	53	21086-3660	10.000	11.000	0.562
53	21086-3596	8.000	9.250	0.625	53	21086-3661	10.000	11.125	0.562
53	21086-3597	8.000	9.250	0.750	53	21086-3662	10.000	11.250	0.562
53	21086-3598	8.000	9.375	0.625	53	21086-3663	10.000	11.375	0.562
53	21086-3600	8.000	9.500	0.625	53	21086-3664	10.000	11.500	0.562
53	21086-3601	8.000	9.500	0.750	53	21086-3666	10.000	11.750	0.562
53	21086-3602	8.000	10.000	1.000	53	21086-3667	10.000	11.875	0.562
53	21086-3603	8.125	10.000	1.000	53	21086-3668	10.000	11.000	0.750
53	21086-3604	8.250	9.250	0.625	53	21086-3670	10.000	11.250	0.750
53	21086-3605	8.250	9.375	0.625	53	21086-3671	10.000	11.375	0.750
53	21086-3606	8.250	9.500	0.625	53	21086-3672	10.000	11.500	0.750
53	21086-3607	8.250	10.250	1.000	53	21086-3673	10.000	12.000	1.000
53	21086-3608	8.375	9.750	0.750	53	21086-3674	10.125	12.000	1.000
53	21086-3609	8.375	10.375	1.000	53	21086-3675	10.187	12.250	1.000
53	21086-3610	8.500	10.500	1.000	53	21086-3676	10.250	12.250	0.750
53	21086-3611	8.625	10.625	0.750	53	21086-3677	10.250	12.250	1.000
53	21086-3612	8.625	10.750	1.000	53	21086-3678	10.437	12.500	1.000
53	21086-3613	8.750	10.750	1.000	53	21086-3680	10.500	12.500	1.000
53	21086-3615	9.000	10.000	0.750	53	21086-3681	10.500	12.625	1.000
53	21086-3616	9.000	10.125	0.750	53	21086-3682	10.750	11.750	0.562
53	21086-3617	9.000	10.250	0.750	53	21086-3683	10.750	11.875	0.562
53	21086-3618	9.000	10.375	0.750	53	21086-3684	10.750	12.000	0.562
53	21086-3619	9.000	10.500	0.750	53	21086-3685	10.750	12.250	0.562
53	21086-3621	9.000	10.750	0.750	53	21086-3686	10.750	12.500	0.562
53	21086-3622	9.000	10.875	0.750	53	21086-3687	10.750	12.750	0.562
53	21086-3623	9.000	11.000	0.750	53	21086-3688	10.750	12.750	0.875
53	21086-3624	9.000	11.000	1.000	53	21086-3689	10.750	12.750	1.000
53	21086-3628	9.250	10.250	0.750	53	21086-3691	11.000	12.000	0.625
53	21086-3629	9.250	10.375	0.750	53	21086-3692	11.000	12.250	0.625
53	21086-3630	9.250	10.500	0.750	53	21086-3693	11.000	12.500	0.625
53	21086-3632	9.250	10.750	0.750	53	21086-3694	11.000	13.000	1.000
53	21086-3633	9.250	11.250	1.000	53	21086-3695	11.062	12.250	0.750
53	21086-3634	9.375	11.375	1.000	53	21086-3696	11.062	12.500	0.750

All dimensions are in inches. Preferred sizes are indicated with **bold** type face.

Sizes listed are for standard nitrile elements, except Models 25 and 62 which have PTFE elements. Other material available on inquiry only.

Garlock

Oil Seals by Model Number

MODEL NO	PART NO	SHAFT	BORE	WIDTH	MODEL NO	PART NO	SHAFT	BORE	WIDTH
53	21086-3697	11.062	12.750	0.750	53	21086-3945	8.625	10.625	1.000
53	21086-3698	11.062	13.000	0.750	53	21086-3946	8.750	10.250	0.687
53	21086-3703	11.250	13.250	1.000	53	21086-3947	8.750	10.250	0.750
53	21086-3704	11.375	13.500	1.000	53	21086-3948	8.750	10.375	0.750
53	21086-3705	11.500	13.500	1.000	53	21086-3949	8.750	10.500	0.750
53	21086-3706	11.750	13.750	1.000	53	21086-3950	8.750	10.625	0.750
53	21086-3707	11.750	14.000	1.000	53	21086-3951	8.750	10.750	0.750
53	21086-3709	12.000	14.000	1.000	53	21086-3954	9.000	10.500	0.687
53	21086-3710	12.000	14.250	1.000	53	21086-3957	9.125	10.625	0.687
53	21086-3713	12.250	14.250	1.000	53	21086-3958	9.125	10.625	0.750
53	21086-3714	12.500	14.500	1.000	53	21086-3959	9.125	10.750	0.750
53	21086-3715	12.625	14.625	1.000	53	21086-3961	9.125	11.000	0.750
53	21086-3717	12.687	14.750	1.000	53	21086-3963	9.250	10.750	0.687
53	21086-3718	12.875	14.750	1.000	53	21086-3964	9.250	10.875	0.750
53	21086-3719	13.000	15.000	1.000	53	21086-3965	9.250	11.000	0.750
53	21086-3721	13.500	15.500	1.000	53	21086-3967	9.250	11.250	0.750
53	21086-3722	13.750	15.750	1.000	53	21086-3972	9.375	11.000	0.750
53	21086-3725	14.000	16.000	1.000	53	21086-3975	9.375	11.375	0.750
53	21086-3726	14.000	16.250	1.000	53	21086-3977	9.437	10.500	0.625
53	21086-3727	14.000	16.500	1.000	53	21086-3981	9.500	11.250	0.750
53	21086-3728	14.500	16.500	0.750	53	21086-3989	9.750	11.750	0.750
53	21086-3730	15.000	17.000	0.875	53	21086-3990	9.875	11.375	0.750
53	21086-3731	15.000	17.000	1.000	53	21086-3991	9.875	11.500	0.750
53	21086-3734	15.250	17.250	0.875	53	21086-3992	10.000	11.500	0.687
53	21086-3736	16.000	18.000	1.000	53	21086-3993	10.000	11.625	0.750
53	21086-3737	16.250	18.000	1.000	53	21086-3994	10.000	11.750	0.750
53	21086-3738	16.500	18.500	1.000	53	21086-3996	10.000	12.000	0.750
53	21086-3741	18.000	19.500	0.750	53	21086-3998	10.000	12.000	0.875
53	21086-3742	18.000	20.000	1.000	53	21086-3999	10.125	11.625	0.687
53	21086-3749	20.000	22.000	1.000	53	21086-4000	10.125	11.625	0.750
53	21086-3770	24.250	26.250	1.000	53	21086-4003	10.125	12.000	0.750
53	21086-3776	25.875	28.000	1.000	53	21086-4004	10.250	11.750	0.687
53	21086-3796	30.000	32.000	1.000	53	21086-4005	10.250	11.750	0.750
53	21086-3830	34.500	36.500	1.000	53	21086-4007	10.250	12.000	0.750
53	21086-3838	35.375	37.375	1.000	53	21086-4010	10.375	12.197	1.000
53	21086-3843	36.000	38.000	1.000	53	21086-4011	10.500	12.000	0.687
53	21086-3844	36.000	38.500	1.000	53	21086-4012	10.500	12.000	0.750
53	21086-3917	6.437	7.500	0.500	53	21086-4013	10.500	12.125	0.750
53	21086-3918	6.687	7.750	0.625	53	21086-4014	10.500	12.250	0.750
53	21086-3922	8.000	9.750	0.750	53	21086-4016	10.500	12.500	0.750
53	21086-3924	8.000	10.000	0.687	53	21086-4018	10.625	12.125	0.750
53	21086-3925	8.000	10.000	0.750	53	21086-4019	10.625	12.250	0.750
53	21086-3928	8.125	9.625	0.750	53	21086-4020	10.625	12.375	0.750
53	21086-3932	8.125	10.125	0.750	53	21086-4021	10.625	12.500	0.750
53	21086-3933	8.375	9.875	0.687	53	21086-4024	10.750	12.250	0.750
53	21086-3934	8.375	9.875	0.750	53	21086-4025	10.750	12.375	0.562
53	21086-3935	8.500	9.500	0.625	53	21086-4029	10.750	12.625	0.750
53	21086-3937	8.500	10.000	0.750	53	21086-4030	10.750	12.750	0.750
53	21086-3939	8.625	10.125	0.687	53	21086-4034	11.000	12.125	0.625
53	21086-3940	8.625	10.125	0.750	53	21086-4037	11.000	13.250	1.000
53	21086-3941	8.625	10.250	0.750	53	21086-4038	11.024	12.197	0.625
53	21086-3943	8.625	10.500	0.750	53	21086-4046	11.250	12.750	0.750

All dimensions are in inches. Preferred sizes are indicated with **bold** type face. Sizes listed are for standard nitrile elements, except Models 25 and 62 which have PTFE elements. Other material available on inquiry only.

Oil Seals by Model Number

Garlock

MODEL NO	PART NO	SHAFT	BORE	WIDTH	MODEL NO	PART NO	SHAFT	BORE	WIDTH
53	21086-4048	11.250	13.500	1.000	53	21086-4181	16.250	17.750	0.687
53	21086-4050	11.375	12.875	0.750	53	21086-4182	16.250	17.750	0.750
53	21086-4051	11.375	13.000	0.750	53	21086-4184	16.250	18.000	0.750
53	21086-4057	11.500	13.000	0.687	53	21086-4185	16.500	18.000	0.750
53	21086-4058	11.500	13.000	0.750	53	21086-4192	17.250	19.250	0.937
53	21086-4060	11.500	13.250	0.750	53	21086-4194	17.500	19.000	0.687
53	21086-4061	11.500	13.375	0.750	53	21086-4195	17.500	19.000	0.750
53	21086-4062	11.500	13.500	0.750	53	21086-4196	17.500	19.250	0.750
53	21086-4064	11.750	13.250	0.687	53	21086-4201	17.750	19.750	1.000
53	21086-4065	11.750	13.250	0.750	53	21086-4202	17.750	20.089	1.000
53	21086-4067	12.000	13.500	0.750	53	21086-4206	18.000	19.500	0.687
53	21086-4068	12.000	13.625	0.750	53	21086-4238	20.000	22.125	1.000
53	21086-4071	12.000	14.000	0.750	53	21086-4249	20.750	22.750	1.000
53	21086-4073	12.125	14.000	1.000	53	21086-4264	21.625	23.625	1.000
53	21086-4074	12.250	13.750	0.750	53	21086-4281	22.750	24.750	0.875
53	21086-4077	12.375	13.875	0.750	53	21086-4289	23.500	25.500	1.000
53	21086-4079	12.500	14.000	0.687	53	21086-4318	25.500	27.500	0.875
53	21086-4080	12.500	14.000	0.750	53	21086-4438	37.500	39.500	0.875
53	21086-4085	12.500	14.750	1.000	53	21086-4469	40.500	42.500	1.000
53	21086-4093	13.000	14.500	0.687	53	21086-4477	6.937	8.125	0.625
53	21086-4094	13.000	14.500	0.750	53	21086-4478	6.937	8.375	0.625
53	21086-4095	13.000	14.625	0.750	53	21086-4479	6.937	8.500	0.625
53	21086-4098	13.000	15.000	0.750	53	21086-4490	6.062	7.500	0.500
53	21086-4101	13.250	14.750	0.687	53	21086-4492	7.312	8.375	0.625
53	21086-4102	13.250	14.750	0.750	53	21086-4501	8.437	10.000	0.625
53	21086-4103	13.250	14.875	0.750	53	21086-4502	8.500	10.000	0.625
53	21086-4107	13.250	15.250	1.000	53	21086-4503	9.000	10.000	0.625
53	21086-4109	13.250	15.375	1.000	53	21086-4504	9.000	10.125	0.625
53	21086-4113	13.250	15.500	1.000	53	21086-4505	9.000	10.250	0.625
53	21086-4114	14.188	15.500	0.625	53	21086-4506	9.000	10.375	0.625
53	21086-4116	13.375	14.875	0.625	53	21086-4507	9.000	10.500	0.625
53	21086-4117	14.188	15.750	0.625	53	21086-4508	9.000	10.625	0.625
53	21086-4121	13.500	15.000	0.687	53	21086-4509	9.250	10.250	0.625
53	21086-4122	13.500	15.000	0.750	53	21086-4511	9.250	10.500	0.625
53	21086-4124	13.500	15.250	0.750	53	21086-4512	9.625	10.875	0.750
53	21086-4125	13.500	15.375	0.750	53	21086-4513	9.750	10.750	0.625
53	21086-4127	13.500	15.500	0.750	53	21086-4514	9.750	10.875	0.625
53	21086-4132	14.000	15.500	0.750	53	21086-4515	9.750	11.000	0.625
53	21086-4133	14.000	15.562	0.750	53	21086-4516	9.750	11.125	0.625
53	21086-4134	14.000	15.750	0.750	53	21086-4517	9.750	11.250	0.625
53	21086-4142	14.500	16.000	0.687	53	21086-4519	10.750	11.875	0.625
53	21086-4144	14.500	16.250	0.750	53	21086-4520	10.750	12.000	0.625
53	21086-4150	14.875	16.875	1.000	53	21086-4522	10.750	12.250	0.625
53	21086-4151	15.000	16.500	0.687	53	21086-4524	10.750	12.500	0.625
53	21086-4152	15.000	16.500	0.750	53	21086-4527	11.250	12.750	0.687
53	21086-4153	15.000	16.750	0.750	53	21086-4529	13.750	15.250	0.687
53	21086-4154	15.000	16.875	0.750	53	21086-4530	13.750	15.250	0.750
53	21086-4155	15.000	17.000	0.750	53	21086-4531	13.750	15.500	0.750
53	21086-4157	15.250	17.250	1.000	53	21086-4532	13.750	15.750	0.750
53	21086-4160	15.375	17.375	1.000	53	21086-4534	28.500	31.000	0.875
53	21086-4177	16.000	17.500	0.687	53	21086-4546	3.000	4.500	0.562
53	21086-4178	16.000	17.500	0.750	53	21086-4561	7.125	8.125	0.500

All dimensions are in inches. Preferred sizes are indicated with **bold** type face.
 Sizes listed are for standard nitrile elements, except Models 25 and 62 which have PTFE elements. Other material available on inquiry only.

Garlock

Oil Seals by Model Number

MODEL NO	PART NO	SHAFT	BORE	WIDTH	MODEL NO	PART NO	SHAFT	BORE	WIDTH
53	21086-4587	8.500	10.625	0.750	53	21086-7879	3.000	4.922	0.500
53	21086-4609	22.125	23.875	0.750	53	21086-7887	8.267	9.842	0.551
53	21086-4729	6.125	7.625	0.750	53	21086-7891	9.448	11.023	0.629
53	21086-4817	3.937	4.937	0.500	53	21086-7892	10.236	11.811	0.511
53	21086-4834	7.874	9.055	0.500	53	21086-7893	11.811	13.386	0.630
53	21086-5115	7.500	8.464	0.625	53	21086-7896	13.386	14.961	0.630
53	21086-5277	15.000	17.250	0.875	53	21086-7906	3.312	4.725	0.500
53	21086-5357	8.661	9.842	0.590	53	21086-7942	3.000	4.724	0.500
53	21086-5359	9.448	10.629	0.590	53	21086-7944	3.062	4.331	0.500
53	21086-5535	3.437	4.921	0.625	53	21086-7945	3.062	4.724	0.500
53	21086-5582	3.625	5.000	0.562	53	21086-7947	3.125	4.331	0.500
53	21086-5677	6.625	7.875	0.500	53	21086-7948	3.125	4.724	0.500
53	21086-5906	10.000	12.000	0.687	53	21086-7950	3.187	4.331	0.500
53	21086-5987	14.562	16.000	0.625	53	21086-7952	3.250	4.331	0.500
53	21086-6381	8.000	9.625	0.750	53	21086-7953	3.250	4.724	0.500
53	21086-6386	8.750	10.000	0.625	53	21086-7957	3.312	5.118	0.500
53	21086-6435	3.000	4.331	0.500	53	21086-7959	3.375	5.118	0.500
53	21086-6501	6.500	8.125	0.625	53	21086-7960	3.437	4.724	0.500
53	21086-6602	6.125	7.625	0.625	53	21086-7962	3.437	5.118	0.500
53	21086-6628	3.312	4.724	0.500	53	21086-7963	3.500	4.724	0.500
53	21086-6649	3.000	4.922	0.625	53	21086-7965	3.500	5.118	0.500
53	21086-6697	16.500	18.500	0.750	53	21086-7967	3.562	5.118	0.500
53	21086-6817	6.500	7.750	0.500	53	21086-7968	3.625	4.724	0.500
53	21086-6829	12.250	14.250	0.750	53	21086-7970	3.625	5.118	0.500
53	21086-6888	7.312	8.437	0.562	53	21086-7972	3.687	5.118	0.500
53	21086-6903	3.312	4.331	0.500	53	21086-7974	3.750	5.118	0.500
53	21086-7101	8.500	10.500	0.750	53	21086-7976	3.812	5.118	0.500
53	21086-7253	3.500	5.000	0.500	53	21086-7978	3.875	5.118	0.500
53	21086-7267	5.511	6.693	0.591	53	21086-7979	3.937	5.118	0.500
53	21086-7268	6.693	7.874	0.591	53	21086-7980	4.000	5.118	0.500
53	21086-7271	4.528	5.512	0.472	53	21086-8049	7.480	8.661	0.591
53	21086-7276	6.299	7.480	0.591	53	21086-8121	3.187	4.724	0.500
53	21086-7277	4.724	5.906	0.591	53	21086-8126	3.562	4.724	0.500
53	21086-7376	4.724	5.906	0.472	53	21086-8313	9.625	10.875	0.625
53	21086-7383	5.512	6.693	0.551	53	21086-8429	3.543	4.724	0.500
53	21086-7388	7.874	9.055	0.591	53	21086-8619	6.299	7.677	0.709
53	21086-7394	3.346	4.724	0.472	53	21086-8877	3.500	4.921	0.562
53	21086-7396	4.331	5.512	0.472	53	21086-9558	4.812	5.905	0.562
53	21086-7399	3.346	4.921	0.472	53	21086-9724	3.000	4.250	0.625
53	21086-7426	3.150	4.331	0.472	53	21086-9780	6.500	7.500	0.562
53	21086-7447	9.437	10.625	0.625	53	21086-9964	13.500	15.500	0.875
53	21086-7473	4.375	5.563	0.500	53F1	22987-0238	3.312	4.500	0.719
53	21086-7495	6.889	8.465	0.629	53F1	22987-1874	4.331	5.500	0.719
53	21086-7664	18.000	20.250	1.000	53F1	22987-3677	10.250	12.250	1.000
53	21086-7807	7.087	8.267	0.591	53F1	22987-3709	12.000	14.000	1.000
53	21086-7836	4.724	6.299	0.472	53F1	22987-3890	13.000	14.500	1.000
53	21086-7839	3.543	4.724	0.472	53F1	22987-4782	8.375	10.375	1.250
53	21086-7840	8.661	10.236	0.511	53F1	22987-4853	6.875	7.875	0.969
53	21086-7842	3.937	5.118	0.472	53F1	22987-4978	7.938	9.125	0.969
53	21086-7848	11.024	12.598	0.630	53F1	22987-4995	11.375	13.500	1.250
53	21086-7849	14.173	15.748	0.630	53F1	22987-5027	5.437	6.875	0.969
53	21086-7868	3.375	4.724	0.500	53F1	22987-5059	3.000	4.125	0.719

All dimensions are in inches. Preferred sizes are indicated with **bold** type face. Sizes listed are for standard nitrile elements, except Models 25 and 62 which have PTFE elements. Other material available on inquiry only.

Oil Seals by Model Number

Garlock

MODEL NO	PART NO	SHAFT	BORE	WIDTH	MODEL NO	PART NO	SHAFT	BORE	WIDTH
53F1	22987-5162	3.125	4.249	0.719	53F1	22987-7436	6.750	8.000	0.719
53F1	22987-5171	5.250	6.500	0.719	53F1	22987-7448	4.000	5.500	0.719
53F1	22987-5201	3.875	4.875	0.719	53F1	22987-7572	6.750	8.250	0.781
53F1	22987-5205	9.750	11.250	1.000	53F1	22987-7585	10.625	12.500	1.000
53F1	22987-5211	6.500	8.000	0.844	53F1	22987-7670	3.250	4.249	0.750
53F1	22987-5212	6.250	7.750	0.719	53F1	22987-7880	4.250	5.250	0.719
53F1	22987-5234	7.500	9.250	0.937	53F1	22987-7909	9.500	11.500	1.250
53F1	22987-5260	8.000	9.500	0.969	53F1	22987-8149	6.500	7.500	0.781
53F1	22987-5319	3.437	4.500	0.719	53F1	22987-8182	8.750	10.000	1.000
53F1	22987-5332	3.375	4.750	0.750	53F1	22987-8216	6.750	8.000	0.844
53F1	22987-5492	4.000	5.750	0.781	53F1	22987-8278	4.500	5.625	0.719
53F1	22987-5512	3.250	4.249	0.937	53F1	22987-8306	5.500	6.750	0.719
53F1	22987-5646	3.625	5.000	0.719	53F1	22987-8471	5.625	6.875	0.719
53F1	22987-5681	8.500	10.000	1.250	53F1	22987-8531	3.687	5.250	0.781
53F1	22987-5831	13.750	15.750	0.969	53F1	22987-8683	4.125	5.125	0.719
53F1	22987-5884	6.125	7.500	0.969	53F1	22987-8703	15.000	17.000	1.187
53F1	22987-5892	4.500	5.500	0.719	53F1	22987-8717	9.500	10.500	1.000
53F1	22987-6051	6.625	8.000	0.844	53F1	22987-8729	8.250	9.500	0.844
53F1	22987-6137	5.000	6.375	0.719	53F1	22987-8729	8.250	9.500	0.844
53F1	22987-6159	3.437	4.875	0.719	53F1	22987-9209	3.375	4.375	0.687
53F1	22987-6433	7.000	8.000	0.844	53F1	22987-9304	6.000	7.500	0.719
53F1	22987-6437	7.000	8.500	0.969	53F1	22987-9347	4.625	6.000	0.719
53F1	22987-6447	10.625	12.500	0.969	53F1	22987-9429	5.125	7.000	0.719
53F1	22987-6481	10.000	11.250	1.000	53F1	22987-9584	7.500	9.000	0.718
53F1	22987-6520	8.625	10.500	1.000	53F1	22987-9708	4.375	5.375	0.718
53F1	22987-6584	3.250	4.249	0.719	53R1	22537-3694	11.000	13.000	1.000
53F1	22987-6590	3.625	4.625	0.719	53R1	22537-4711	5.625	6.750	0.906
53F1	22987-6603	5.000	6.000	0.719	53R1	22537-4825	5.500	6.500	0.906
53F1	22987-6661	8.000	9.250	0.844	53R1	22537-4836	4.750	6.000	0.906
53F1	22987-6726	9.125	11.125	1.250	53R1	22537-4837	4.250	5.375	0.906
53F1	22987-6741	5.500	6.500	0.719	53R1	22537-4888	14.000	16.000	1.375
53F1	22987-6760	8.500	10.000	1.000	53R1	22537-4925	9.500	11.500	1.312
53F1	22987-6846	14.875	16.875	1.219	53R1	22537-4991	6.250	7.500	1.344
53F1	22987-6893	5.000	6.000	0.969	53R1	22537-5008	3.500	4.750	0.906
53F1	22987-6902	4.937	6.500	0.719	53R1	22537-5021	9.250	10.750	1.375
53F1	22987-6917	4.437	5.750	0.719	53R1	22537-5049	3.937	4.999	0.906
53F1	22987-6920	6.500	7.500	0.844	53R1	22537-5183	3.437	4.500	0.906
53F1	22987-6950	3.625	4.625	0.719	53R1	22537-5260	8.000	9.500	0.969
53F1	22987-6990	4.000	4.999	0.718	53R1	22537-5300	3.500	4.500	0.812
53F1	22987-7002	5.625	7.500	0.719	53R1	22537-5420	5.750	7.250	0.906
53F1	22987-7115	3.500	4.500	0.719	53R1	22537-5949	9.000	11.000	1.375
53F1	22987-7181	3.125	4.875	0.969	53R1	22537-5950	12.000	13.500	1.312
53F1	22987-7232	4.312	6.375	0.781	53R1	22537-6089	7.125	8.625	1.094
53F1	22987-7233	7.500	9.000	0.844	53R1	22537-6140	8.500	9.500	1.312
53F1	22987-7241	7.750	9.250	0.844	53R1	22537-6146	6.125	7.500	0.906
53F1	22987-7252	5.312	6.625	0.719	53R1	22537-6154	13.500	15.500	1.375
53F1	22987-7289	3.375	4.500	0.719	53R1	22537-6354	15.000	17.000	1.375
53F1	22987-7313	3.250	4.500	0.718	53R1	22537-6432	5.125	6.125	0.843
53F1	22987-7332	3.500	4.999	0.719	53R1	22537-6433	7.000	8.000	0.844
53F1	22987-7392	12.000	14.000	1.250	53R1	22537-6434	4.000	5.250	0.906
53F1	22987-7402	3.000	4.500	0.719	53R1	22537-6461	3.187	4.249	0.906
53F1	22987-7433	6.000	7.500	0.906	53R1	22537-6521	9.000	10.500	1.375
					53R1	22537-6534	3.500	4.500	0.906

All dimensions are in inches. Preferred sizes are indicated with **bold** type face.

Sizes listed are for standard nitrile elements, except Models 25 and 62 which have PTFE elements. Other material available on inquiry only.

Garlock

Oil Seals by Model Number

MODEL NO	PART NO	SHAFT	BORE	WIDTH	MODEL NO	PART NO	SHAFT	BORE	WIDTH
53R1	22537-6545	3.562	4.625	0.906	53R2	22627-4884	12.000	13.875	1.312
53R1	22537-6564	7.500	9.000	1.343	53R2	22627-4888	14.000	16.000	1.375
53R1	22537-6663	9.250	11.000	1.375	53R2	22627-4894	15.000	17.000	1.312
53R1	22537-6685	4.500	5.500	0.969	53R2	22627-4904	4.250	5.250	0.906
53R1	22537-6708	3.250	4.249	0.906	53R2	22627-4942	7.500	9.250	1.344
53R1	22537-6711	5.000	6.000	0.906	53R2	22627-4943	9.000	10.750	1.375
53R1	22537-6760	8.500	10.000	1.000	53R2	22627-4982	5.125	6.500	0.906
53R1	22537-6770	8.500	10.500	1.312	53R2	22627-5021	9.250	10.750	1.375
53R1	22537-6945	6.750	8.250	1.032	53R2	22627-5090	5.687	7.500	0.906
53R1	22537-7255	3.000	4.125	0.906	53R2	22627-5183	3.437	4.500	0.906
53R1	22537-7269	3.500	4.750	0.843	53R2	22627-5285	4.750	5.750	0.937
53R1	22537-7330	6.250	7.250	0.906	53R2	22627-5324	5.625	6.875	0.969
53R1	22537-7433	6.000	7.500	0.906	53R2	22627-5500	7.250	8.250	1.344
53R1	22537-7439	4.437	5.500	0.906	53R2	22627-5531	6.500	7.500	0.906
53R1	22537-7560	4.500	6.000	0.906	53R2	22627-5621	5.250	6.500	1.344
53R1	22537-7611	3.500	4.875	0.969	53R2	22627-5645	3.875	4.875	0.906
53R1	22537-7774	10.500	12.500	1.375	53R2	22627-5651	8.000	9.000	1.344
53R1	22537-7796	6.875	8.375	1.156	53R2	22627-5710	5.750	7.000	1.031
53R1	22537-7905	3.562	5.250	0.906	53R2	22627-5883	8.000	9.250	1.000
53R1	22537-8384	7.500	8.500	1.094	53R2	22627-5918	8.375	9.875	1.156
53R1	22537-8396	3.625	4.750	0.906	53R2	22627-5927	11.000	12.500	1.375
53R1	22537-8454	4.331	5.500	0.875	53R2	22627-5932	7.875	9.375	0.969
53R1	22537-8480	5.875	7.250	0.906	53R2	22627-5949	9.000	11.000	1.375
53R1	22537-8570	3.937	5.375	0.906	53R2	22627-6063	11.375	13.000	1.375
53R1	22537-8662	10.000	12.000	1.812	53R2	22627-6082	4.125	5.250	0.906
53R1	22537-8687	8.750	10.750	1.375	53R2	22627-6117	15.000	17.000	1.250
53R1	22537-8708	5.937	7.500	0.906	53R2	22627-6146	6.125	7.500	0.906
53R1	22537-8751	8.000	9.000	1.156	53R2	22627-6154	13.500	15.500	1.375
53R1	22537-8756	10.000	12.000	1.250	53R2	22627-6166	5.750	7.000	0.906
53R1	22537-8818	5.750	7.250	1.344	53R2	22627-6354	15.000	17.000	1.375
53R1	22537-8829	9.875	11.875	1.312	53R2	22627-6432	5.125	6.125	0.843
53R1	22537-8868	10.000	11.000	1.375	53R2	22627-6437	7.000	8.500	0.969
53R1	22537-8870	6.000	7.000	1.156	53R2	22627-6461	3.187	4.249	0.906
53R1	22537-9039	13.500	15.500	1.437	53R2	22627-6521	9.000	10.500	1.375
53R1	22537-9087	7.250	8.250	1.156	53R2	22627-6528	3.250	4.500	0.906
53R1	22537-9299	8.500	9.500	1.094	53R2	22627-6534	3.500	4.500	0.906
53R1	22537-9401	3.625	4.875	0.844	53R2	22627-6545	3.562	4.625	0.906
53R1	22537-9485	8.000	9.500	1.094	53R2	22627-6563	4.250	5.750	0.906
53R1	22537-9618	8.375	9.750	1.156	53R2	22627-6596	7.500	9.250	1.218
53R1	22537-9664	6.750	8.250	1.156	53R2	22627-6607	13.000	15.000	1.375
53R1	22537-9713	9.750	11.000	1.375	53R2	22627-6640	5.000	6.000	0.969
53R2	22537-5260	8.000	9.500	0.969	53R2	22627-6663	9.250	11.000	1.375
53R2	22627-3694	11.000	13.000	1.000	53R2	22627-6685	4.500	5.500	0.969
53R2	22627-4491	20.750	22.750	1.750	53R2	22627-6708	3.250	4.249	0.906
53R2	22627-4650	16.250	17.750	1.281	53R2	22627-6711	5.000	6.000	0.906
53R2	22627-4668	5.000	6.500	0.906	53R2	22627-6739	3.125	4.125	0.906
53R2	22627-4751	12.375	13.875	1.437	53R2	22627-6746	6.000	7.000	0.969
53R2	22627-4752	4.125	5.500	0.969	53R2	22627-6799	4.000	4.999	0.906
53R2	22627-4784	6.000	7.500	1.344	53R2	22627-6806	3.750	4.999	0.906
53R2	22627-4825	5.500	6.500	0.906	53R2	22627-6814	4.875	6.500	0.906
53R2	22627-4828	5.000	6.250	0.906	53R2	22627-6842	10.000	12.000	1.375
53R2	22627-4836	4.750	6.000	0.906	53R2	22627-6871	4.187	6.000	0.906

All dimensions are in inches. Preferred sizes are indicated with **bold** type face.

Sizes listed are for standard nitrile elements, except Models 25 and 62 which have PTFE elements. Other material available on inquiry only.

Oil Seals by Model Number

Garlock

MODEL NO	PART NO	SHAFT	BORE	WIDTH	MODEL NO	PART NO	SHAFT	BORE	WIDTH
53R2	22627-6901	3.625	4.625	0.906	53R2	22627-9320	4.125	5.375	0.906
53R2	22627-6942	9.500	10.750	1.375	53R2	22627-9414	8.500	10.500	1.250
53R2	22627-6945	6.750	8.250	1.031	53R2	22627-9419	12.500	14.500	1.250
53R2	22627-6954	7.750	8.750	1.156	53R2	22627-9422	5.750	7.250	1.032
53R2	22627-6968	3.125	4.999	0.906	53R2	22627-9423	18.000	20.000	1.750
53R2	22627-6969	8.500	9.500	0.969	53R2	22627-9474	23.000	25.000	1.687
53R2	22627-7111	5.562	6.875	0.906	53R2	22627-9532	8.437	10.000	1.000
53R2	22627-7202	6.000	7.250	1.343	53R2	22627-9854	5.750	7.000	0.844
53R2	22627-7245	4.625	5.750	0.906	53R2	22627-9970	8.000	10.000	1.375
53R2	22627-7247	6.250	7.750	0.906	53R2	22627-9972	5.250	7.125	0.906
53R2	22627-7255	3.000	4.125	0.906	53T2	22627-7258	4.500	5.750	0.969
53R2	22627-7258	4.500	5.750	0.969	53T2	22897-4545	8.250	9.500	1.125
53R2	22627-7283	12.000	14.000	1.375	53T2	22897-4650	16.250	17.750	1.281
53R2	22627-7315	4.937	6.500	0.906	53T2	22897-4653	10.625	12.375	1.437
53R2	22627-7324	3.500	4.999	0.906	53T2	22897-4668	5.000	6.500	0.906
53R2	22627-7326	12.000	13.625	1.437	53T2	22897-4681	8.250	10.250	1.875
53R2	22627-7348	4.687	6.000	0.906	53T2	22897-4708	4.875	6.625	0.969
53R2	22627-7358	7.750	9.250	0.875	53T2	22897-4752	4.125	5.500	0.969
53R2	22627-7360	7.000	8.500	0.875	53T2	22897-4800	10.000	12.000	1.312
53R2	22627-7361	5.125	6.250	0.906	53T2	22897-4836	4.750	6.000	0.906
53R2	22627-7404	18.000	19.500	1.250	53T2	22897-4876	7.750	9.250	0.969
53R2	22627-7409	5.500	6.750	0.906	53T2	22897-4894	15.000	17.000	1.312
53R2	22627-7419	3.250	4.250	0.969	53T2	22897-5043	4.687	5.750	0.906
53R2	22627-7433	6.000	7.500	0.906	53T2	22897-5179	8.250	10.250	1.218
53R2	22627-7440	3.750	4.750	0.906	53T2	22897-5286	6.500	7.500	1.218
53R2	22627-7559	4.000	5.125	0.906	53T2	22897-5304	13.750	15.750	1.437
53R2	22627-7562	9.250	11.250	1.375	53T2	22897-5531	6.500	7.500	0.906
53R2	22627-7610	5.250	6.750	0.906	53T2	22897-5584	11.500	13.000	1.250
53R2	22627-7629	6.250	7.750	1.344	53T2	22897-5758	3.000	4.500	0.937
53R2	22627-7651	4.062	6.000	0.906	53T2	22897-5883	8.000	9.250	1.000
53R2	22627-7707	7.250	8.375	1.125	53T2	22897-5923	5.500	7.000	0.969
53R2	22627-7803	4.375	5.500	0.969	53T2	22897-5932	7.875	9.375	0.969
53R2	22627-7877	4.750	6.250	0.906	53T2	22897-5941	3.187	4.249	0.969
53R2	22627-8202	4.375	5.375	0.906	53T2	22897-6463	4.875	6.625	0.906
53R2	22627-8396	3.625	4.750	0.906	53T2	22897-6505	3.625	5.500	0.969
53R2	22627-8441	3.250	4.999	0.906	53T2	22897-6511	3.000	4.500	0.906
53R2	22627-8546	7.250	8.500	1.094	53T2	22897-6526	6.875	8.250	1.406
53R2	22627-8630	4.875	6.000	0.906	53T2	22897-6527	12.500	14.500	1.312
53R2	22627-8635	4.312	5.500	0.969	53T2	22897-6534	3.500	4.500	0.906
53R2	22627-8667	7.125	8.500	1.094	53T2	22897-6640	5.000	6.000	0.969
53R2	22627-8685	6.875	8.125	1.406	53T2	22897-6691	7.125	8.250	0.969
53R2	22627-8686	7.750	8.750	1.094	53T2	22897-6739	3.125	4.125	0.906
53R2	22627-8687	8.750	10.750	1.375	53T2	22897-6746	6.000	7.000	0.969
53R2	22627-8700	3.250	4.500	0.843	53T2	22897-6750	5.250	6.500	0.969
53R2	22627-8716	12.500	14.000	1.375	53T2	22897-6793	18.000	20.000	1.812
53R2	22627-8771	4.000	6.000	0.906	53T2	22897-6893	5.000	6.250	0.969
53R2	22627-8775	6.625	8.125	0.969	53T2	22897-6942	9.500	10.750	1.375
53R2	22627-8828	9.000	10.500	1.437	53T2	22897-6969	8.500	9.500	0.969
53R2	22627-8909	9.500	11.250	1.375	53T2	22897-7110	4.500	5.500	0.906
53R2	22627-9018	4.125	5.125	0.906	53T2	22897-7128	5.750	7.000	0.969
53R2	22627-9036	11.500	13.500	1.250	53T2	22897-7174	6.500	7.500	1.031
53R2	22627-9165	8.000	9.000	0.969	53T2	22897-7181	3.125	4.875	0.969

All dimensions are in inches. Preferred sizes are indicated with **bold** type face.

Sizes listed are for standard nitrile elements, except Models 25 and 62 which have PTFE elements. Other material available on inquiry only.

Garlock

Oil Seals by Model Number

MODEL NO	PART NO	SHAFT	BORE	WIDTH	MODEL NO	PART NO	SHAFT	BORE	WIDTH
53T2	22897-7347	5.125	6.125	0.906	58	21003-0584	6.496	7.480	0.512
53T2	22897-7357	3.375	4.375	0.906	58	21003-1490	2.362	2.953	0.315
53T2	22897-7365	5.125	6.125	0.969	58	21003-1797	1.772	2.441	0.394
53T2	22897-7370	8.000	9.750	1.406	58	21003-1921	2.953	3.937	0.512
53T2	22897-7419	3.250	4.250	0.969	58	21003-2033	5.866	6.875	0.562
53T2	22897-7433	6.000	7.500	0.906	58	21003-2225	3.125	4.125	0.500
53T2	22897-7551	3.000	4.500	0.969	58	21003-2255	3.187	4.500	0.500
53T2	22897-7562	9.250	11.250	1.375	58	21003-2262	4.409	5.709	0.551
53T2	22897-7609	6.375	7.500	0.969	58	21003-2295	1.375	2.562	0.500
53T2	22897-7611	3.500	4.875	0.969	58	21003-2384	3.500	5.250	0.500
53T2	22897-7689	4.625	6.000	0.969	58	21003-2417	3.625	4.625	0.500
53T2	22897-7774	10.500	12.500	1.375	58	21003-2462	3.750	4.750	0.500
53T2	22897-7777	6.875	8.000	1.219	58	21003-2488	2.362	4.331	0.512
53T2	22897-7786	8.125	10.125	1.281	58	21003-2490	8.540	9.750	0.625
53T2	22897-7803	4.375	5.500	0.969	58	21003-2692	7.250	8.750	0.875
53T2	22897-7823	9.125	10.625	1.250	58	21003-2710	4.999	5.905	0.512
53T2	22897-7864	6.250	7.250	0.969	58	21003-2887	4.921	5.906	0.472
53T2	22897-7920	7.250	8.250	1.219	58	21003-2902	1.969	2.835	0.394
53T2	22897-8462	9.000	11.000	1.250	58	21003-2989	5.118	6.299	0.551
53T2	22897-8597	20.000	22.000	1.812	58	21003-3059	5.250	6.250	0.500
53T2	22897-8608	3.187	4.999	0.969	58	21003-3176	5.500	6.500	0.500
53T2	22897-8630	4.875	6.000	0.906	58	21003-3327	5.906	7.087	0.591
53T2	22897-8680	10.500	12.500	1.812	58	21003-3474	6.875	7.875	0.625
53T2	22897-8685	6.875	8.125	1.406	58	21003-3499	7.000	8.375	0.750
53T2	22897-8697	4.500	6.250	0.969	58	21003-3515	7.125	8.625	0.750
53T2	22897-8811	4.187	5.250	0.969	58	21003-3967	9.250	11.250	0.750
53T2	22897-8829	9.875	11.875	1.312	58	21003-4263	3.937	4.724	0.433
53T2	22897-9045	4.687	6.250	0.969	58	21003-4264	4.331	5.512	0.551
53T2	22897-9103	9.250	10.625	1.437	58	21003-7388	7.874	9.055	0.591
53T2	22897-9168	6.750	8.500	1.219	58	21003-9724	3.000	4.250	0.625
53T2	22897-9472	7.875	9.375	1.141	59	24700-0001	7.283	8.850	0.625
53T2	22897-9611	10.750	11.875	1.375	59	24700-0002	8.000	10.000	0.625
53TB	22807-7230	3.500	4.750	0.969	59	24700-0003	8.063	10.062	1.000
53TB	22807-8731	4.000	5.125	0.969	59	24700-0004	8.125	10.125	0.625
53TF	22994-5008	3.500	4.750	0.906	59	24700-0005	8.250	10.250	0.625
53TF	22994-5884	6.125	7.500	0.969	59	24700-0006	8.250	10.500	0.875
53TF	22994-6893	5.000	6.250	0.969	59	24700-0007	8.250	11.500	0.750
53TF	22994-7784	3.250	4.375	0.906	59	24700-0008	8.375	9.750	0.625
54	21140-6003	2.375	5.125	0.625	59	24700-0009	8.375	9.875	0.625
54	21140-6005	2.750	6.000	0.625	59	24700-0010	8.375	10.375	0.750
54	21140-6008	3.562	7.250	0.562	59	24700-0011	8.375	10.500	0.875
54	21140-6010	4.000	8.000	0.625	59	24700-0012	8.500	10.000	0.625
54	21140-6014	4.375	9.125	0.625	59	24700-0013	8.500	10.500	0.625
54	21140-6018	5.000	9.750	0.625	59	24700-0014	8.625	10.000	0.750
54	21140-6020	5.250	10.750	0.687	59	24700-0015	8.625	10.125	0.625
54	21140-6021	5.625	11.375	1.000	59	24700-0016	8.625	10.250	0.625
54	21140-6023	6.625	12.500	0.625	59	24700-0017	8.625	10.625	0.625
54	21140-6024	7.000	13.500	0.750	59	24700-0018	8.625	10.750	0.875
54	21140-7351	4.250	8.250	0.625	59	24700-0019	8.661	10.236	0.625
54	21140-9733	3.375	6.500	0.625	59	24700-0020	8.661	10.228	0.625
54	21140-9750	8.000	14.750	0.625	59	24700-0021	8.661	10.819	0.950
54	21140-9986	4.750	9.250	0.625	59	24700-0022	8.750	10.250	0.625

All dimensions are in inches. Preferred sizes are indicated with **bold** type face. Sizes listed are for standard nitrile elements, except Models 25 and 62 which have PTFE elements. Other material available on inquiry only.

Oil Seals by Model Number

Garlock

MODEL NO	PART NO	SHAFT	BORE	WIDTH	MODEL NO	PART NO	SHAFT	BORE	WIDTH
59	24700-0023	8.750	10.500	0.750	59	24700-0075	10.000	12.250	0.875
59	24700-0024	8.750	10.625	0.750	59	24700-0076	10.125	11.625	0.688
59	24700-0025	8.858	11.016	0.906	59	24700-0077	10.125	11.750	0.688
59	24700-0026	8.875	11.000	0.875	59	24700-0078	10.188	12.250	1.000
59	24700-0027	9.000	10.125	0.750	59	24700-0079	10.236	12.590	0.984
59	24700-0028	9.000	10.187	0.625	59	24700-0080	10.250	11.500	0.625
59	24700-0029	9.000	10.375	0.625	59	24700-0081	10.250	11.750	0.625
59	24700-0030	9.000	10.500	0.625	59	24700-0082	10.250	12.000	0.625
59	24700-0031	9.000	10.625	0.625	59	24700-0083	10.250	12.500	0.750
59	24700-0032	9.000	11.000	0.625	59	24700-0084	10.375	11.625	0.625
59	24700-0033	9.000	11.054	0.750	59	24700-0085	10.375	11.875	0.750
59	24700-0034	9.000	11.250	0.875	59	24700-0086	10.375	12.197	1.000
59	24700-0035	9.055	10.621	0.629	59	24700-0087	10.375	12.500	0.875
59	24700-0036	9.055	11.024	0.625	59	24700-0088	10.438	12.438	0.875
59	24700-0037	9.125	10.625	0.625	59	24700-0089	10.438	12.500	1.000
59	24700-0038	9.125	10.750	0.625	59	24700-0090	10.500	12.000	0.625
59	24700-0039	9.125	11.125	0.625	59	24700-0091	10.500	12.125	0.625
59	24700-0040	9.187	10.375	0.750	59	24700-0092	10.500	12.250	0.750
59	24700-0041	9.250	10.500	0.625	59	24700-0093	10.500	12.625	1.000
59	24700-0042	9.250	10.750	0.625	59	24700-0094	10.625	11.812	0.625
59	24700-0043	9.250	11.000	0.625	59	24700-0095	10.625	12.125	0.750
59	24700-0044	9.250	11.250	0.750	59	24700-0096	10.625	12.375	0.750
59	24700-0045	9.250	11.375	0.875	59	24700-0097	10.625	12.500	0.750
59	24700-0046	9.250	11.500	0.875	59	24700-0098	10.625	13.000	0.750
59	24700-0047	9.375	10.375	1.000	59	24700-0099	10.630	13.189	0.708
59	24700-0048	9.375	10.625	0.625	59	24700-0100	10.750	12.000	0.625
59	24700-0049	9.375	10.875	0.750	59	24700-0101	10.750	12.250	0.625
59	24700-0050	9.375	11.375	0.625	59	24700-0102	10.750	12.500	0.625
59	24700-0051	9.438	10.625	0.750	59	24700-0103	10.750	13.000	0.875
59	24700-0052	9.438	11.500	0.875	59	24700-0104	10.875	12.375	0.750
59	24700-0053	9.449	10.630	0.630	59	24700-0105	10.875	12.500	1.000
59	24700-0054	9.449	11.811	0.984	59	24700-0106	11.000	12.250	0.625
59	24700-0055	9.500	11.000	0.625	59	24700-0107	11.000	13.000	0.625
59	24700-0056	9.500	11.125	0.625	59	24700-0108	11.024	12.197	0.629
59	24700-0057	9.500	11.500	0.625	59	24700-0109	11.024	13.386	0.984
59	24700-0058	9.620	10.875	0.625	59	24700-0110	11.063	12.250	0.750
59	24700-0059	9.625	10.875	0.750	59	24700-0111	11.063	12.500	0.750
59	24700-0060	9.719	11.625	0.700	59	24700-0112	11.063	13.000	0.750
59	24700-0061	9.750	11.125	0.625	59	24700-0113	11.125	12.750	1.000
59	24700-0062	9.750	11.250	0.625	59	24700-0114	11.125	13.000	1.000
59	24700-0063	9.750	11.500	0.750	59	24700-0115	11.125	13.250	0.875
59	24700-0064	9.750	11.750	0.625	59	24700-0116	11.250	12.500	0.625
59	24700-0065	9.750	12.000	0.875	59	24700-0117	11.250	13.250	0.625
59	24700-0066	9.844	11.409	0.625	59	24700-0118	11.250	13.500	0.875
59	24700-0067	9.875	11.375	0.750	59	24700-0119	11.375	12.875	0.750
59	24700-0068	9.875	12.000	0.875	59	24700-0120	11.375	13.000	0.625
59	24700-0069	9.938	12.000	0.750	59	24700-0121	11.375	13.375	0.813
59	24700-0070	9.938	12.125	1.000	59	24700-0122	11.375	13.500	1.000
59	24700-0071	10.000	11.375	0.750	59	24700-0123	11.417	13.142	0.750
59	24700-0072	10.000	11.625	0.750	59	24700-0124	11.438	13.000	0.688
59	24700-0073	10.000	11.750	0.625	59	24700-0125	11.500	12.875	0.688
59	24700-0074	10.000	12.000	0.625	59	24700-0126	11.500	13.000	0.625

All dimensions are in inches. Preferred sizes are indicated with **bold** type face.

Sizes listed are for standard nitrile elements, except Models 25 and 62 which have PTFE elements. Other material available on inquiry only.

Garlock

Oil Seals by Model Number

MODEL NO	PART NO	SHAFT	BORE	WIDTH	MODEL NO	PART NO	SHAFT	BORE	WIDTH
59	24700-0127	11.500	13.250	0.750	59	24700-0179	13.250	14.875	0.750
59	24700-0128	11.500	13.375	0.750	59	24700-0180	13.250	15.000	0.750
59	24700-0129	11.500	13.500	0.625	59	24700-0181	13.250	15.125	0.875
59	24700-0130	11.625	13.191	0.750	59	24700-0182	13.250	15.250	0.750
59	24700-0131	11.750	13.250	0.625	59	24700-0183	13.250	15.375	1.000
59	24700-0132	11.750	13.750	0.625	59	24700-0184	13.250	16.000	0.875
59	24700-0133	11.750	14.000	1.000	59	24700-0185	13.375	14.875	0.750
59	24700-0134	11.811	13.386	0.709	59	24700-0186	13.375	15.000	0.750
59	24700-0135	11.813	13.780	1.000	59	24700-0187	13.375	15.375	0.875
59	24700-0136	11.813	13.812	0.625	59	24700-0188	13.386	14.645	0.630
59	24700-0137	11.813	14.000	0.750	59	24700-0189	13.386	14.960	0.688
59	24700-0138	11.938	13.938	0.625	59	24700-0190	13.500	15.000	0.625
59	24700-0139	12.000	13.250	0.625	59	24700-0191	13.500	15.250	0.750
59	24700-0140	12.000	13.500	0.625	59	24700-0192	13.500	15.312	0.625
59	24700-0141	12.000	13.625	0.625	59	24700-0193	13.500	15.750	0.875
59	24700-0142	12.000	14.188	1.000	59	24700-0194	13.500	15.752	1.000
59	24700-0143	12.000	14.750	0.875	59	24700-0195	13.500	17.300	1.000
59	24700-0144	12.050	13.313	0.750	59	24700-0196	13.625	15.500	1.000
59	24700-0145	12.063	13.313	0.750	59	24700-0197	13.625	16.125	1.250
59	24700-0146	12.125	13.875	0.750	59	24700-0198	13.750	15.000	0.750
59	24700-0147	12.125	14.000	0.875	59	24700-0199	13.750	15.250	0.625
59	24700-0148	12.188	13.438	0.625	59	24700-0200	13.750	15.500	0.750
59	24700-0149	12.188	13.688	0.625	59	24700-0201	13.750	15.508	0.750
59	24700-0150	12.250	13.813	0.719	59	24700-0202	13.750	15.750	0.625
59	24700-0151	12.250	14.000	0.625	59	24700-0203	13.750	16.000	0.875
59	24700-0152	12.250	14.250	0.625	59	24700-0204	13.779	15.354	0.709
59	24700-0153	12.375	13.875	0.688	59	24700-0205	13.813	16.000	1.000
59	24700-0154	12.375	14.000	0.750	59	24700-0206	13.875	16.000	1.000
59	24700-0155	12.375	14.375	1.000	59	24700-0207	13.938	15.438	0.625
59	24700-0156	12.375	14.500	0.875	59	24700-0208	13.938	15.500	0.750
59	24700-0157	12.500	13.750	0.625	59	24700-0210	13.938	15.744	1.000
59	24700-0158	12.500	14.750	1.000	59	24700-0211	13.938	16.000	0.875
59	24700-0159	12.500	15.000	0.813	59	24700-0212	14.000	15.500	0.625
59	24700-0160	12.565	14.063	0.750	59	24700-0213	14.000	15.562	0.750
59	24700-0161	12.590	14.125	1.000	59	24700-0214	14.000	15.625	0.625
59	24700-0162	12.598	13.780	0.625	59	24700-0215	14.000	15.750	0.688
59	24700-0163	12.598	13.976	0.630	59	24700-0216	14.000	15.752	0.813
59	24700-0164	12.625	14.500	0.875	59	24700-0217	14.000	16.000	0.750
59	24700-0165	12.625	14.625	0.875	59	24700-0218	14.000	16.500	0.813
59	24700-0166	12.688	14.250	0.750	59	24700-0219	14.000	16.625	0.625
59	24700-0167	12.688	14.750	1.000	59	24700-0220	14.125	16.745	0.875
59	24700-0168	12.750	14.250	0.625	59	24700-0221	14.172	16.734	0.844
59	24700-0169	12.750	14.750	0.750	59	24700-0222	14.188	15.500	0.688
59	24700-0170	12.750	15.000	0.875	59	24700-0223	14.188	15.750	0.750
59	24700-0171	12.750	15.250	0.875	59	24700-0224	14.188	16.000	0.875
59	24700-0172	12.750	15.500	0.875	59	24700-0225	14.188	16.188	0.813
59	24700-0173	12.875	15.500	0.875	59	24700-0226	14.188	16.750	0.875
59	24700-0174	12.992	14.566	0.708	59	24700-0227	14.250	15.750	0.750
59	24700-0175	13.000	14.812	0.625	59	24700-0228	14.250	16.000	0.875
59	24700-0176	13.000	14.875	0.875	59	24700-0229	14.250	16.250	0.813
59	24700-0177	13.220	14.407	0.625	59	24700-0230	14.250	16.500	0.875
59	24700-0178	13.250	14.750	0.625	59	24700-0231	14.370	15.938	0.709

All dimensions are in inches. Preferred sizes are indicated with **bold** type face. Sizes listed are for standard nitrile elements, except Models 25 and 62 which have PTFE elements. Other material available on inquiry only.

Oil Seals by Model Number

Garlock

MODEL NO	PART NO	SHAFT	BORE	WIDTH	MODEL NO	PART NO	SHAFT	BORE	WIDTH
59	24700-0232	14.375	15.875	0.750	59	24700-0286	16.375	17.875	0.750
59	24700-0233	14.375	16.000	0.688	59	24700-0287	16.375	18.375	1.000
59	24700-0234	14.500	16.500	0.750	59	24700-0289	16.500	18.000	0.750
59	24700-0235	14.625	16.125	0.750	59	24700-0290	16.500	18.250	0.750
59	24700-0236	14.625	16.250	0.750	59	24700-0291	16.500	18.500	0.750
59	24700-0237	14.625	16.750	1.000	59	24700-0293	16.500	19.000	0.875
59	24700-0238	14.688	16.188	0.625	59	24700-0294	16.535	18.102	0.787
59	24700-0239	14.750	16.250	0.625	59	24700-0295	16.535	18.110	0.787
59	24700-0240	14.750	16.500	0.688	59	24700-0296	16.750	18.250	0.687
59	24700-0241	14.875	16.500	0.750	59	24700-0297	16.750	18.500	0.875
59	24700-0242	14.875	16.750	0.875	59	24700-0298	16.750	19.000	0.875
59	24700-0243	14.875	16.875	1.000	59	24700-0299	16.929	18.903	0.969
59	24700-0244	14.875	17.000	0.875	59	24700-0300	17.000	18.500	0.625
59	24700-0245	14.875	17.500	0.875	59	24700-0301	17.000	19.000	0.750
59	24700-0246	14.906	17.000	0.875	59	24700-0302	17.000	19.250	1.000
59	24700-0247	14.961	16.535	0.787	59	24700-0304	17.000	19.500	0.875
59	24700-0248	15.000	16.500	0.688	59	24700-0305	17.250	18.750	0.750
59	24700-0249	15.000	16.750	0.750	59	24700-0306	17.250	19.250	0.938
59	24700-0250	15.000	17.500	0.875	59	24700-0307	17.500	19.000	0.625
59	24700-0251	15.000	17.750	0.875	59	24700-0309	17.500	19.500	0.688
59	24700-0252	15.125	16.750	0.750	59	24700-0310	17.500	19.750	0.750
59	24700-0253	15.250	16.750	0.688	59	24700-0311	17.500	20.522	1.500
59	24700-0254	15.250	17.250	0.750	59	24700-0312	17.625	19.125	0.750
59	24700-0255	15.313	17.313	0.688	59	24700-0313	17.625	19.250	0.688
59	24700-0256	15.359	17.709	0.906	59	24700-0314	17.625	19.375	0.750
59	24700-0257	15.375	17.250	0.750	59	24700-0315	17.625	19.625	0.688
59	24700-0258	15.375	17.375	0.688	59	24700-0316	17.750	19.750	0.750
59	24700-0259	15.472	17.502	0.708	59	24700-0317	17.750	20.089	1.000
59	24700-0260	15.500	16.875	0.625	59	24700-0318	17.818	19.750	0.750
59	24700-0261	15.500	17.500	0.750	59	24700-0319	17.818	20.500	1.000
59	24700-0262	15.500	17.750	1.000	59	24700-0320	17.875	19.500	0.625
59	24700-0263	15.500	18.000	1.000	59	24700-0321	17.875	19.875	0.750
59	24700-0264	15.604	16.974	0.625	59	24700-0322	18.000	19.500	0.688
59	24700-0265	15.625	17.125	0.750	59	24700-0323	18.000	19.750	0.750
59	24700-0266	15.625	17.625	0.875	59	24700-0324	18.000	19.875	0.750
59	24700-0267	15.740	17.250	0.688	59	24700-0325	18.000	20.000	0.750
59	24700-0268	15.748	17.716	0.689	59	24700-0326	18.000	20.500	1.250
59	24700-0269	15.750	17.000	0.625	59	24700-0327	18.000	21.000	0.688
59	24700-0270	15.750	17.250	0.688	59	24700-0328	18.120	20.500	1.000
59	24700-0271	15.750	17.500	0.688	59	24700-0329	18.125	20.500	1.000
59	24700-0273	15.750	17.750	0.875	59	24700-0330	18.250	19.750	0.750
59	24700-0274	15.750	18.000	0.875	59	24700-0331	18.250	19.867	1.000
59	24700-0275	15.875	17.875	0.750	59	24700-0332	18.250	19.875	1.000
59	24700-0276	15.938	17.313	0.625	59	24700-0333	18.375	19.875	0.688
59	24700-0277	16.000	17.500	0.688	59	24700-0334	18.375	19.938	0.625
59	24700-0278	16.000	17.625	0.750	59	24700-0335	18.375	20.000	0.750
59	24700-0279	16.000	18.000	0.750	59	24700-0336	18.375	20.375	0.875
59	24700-0281	16.000	18.500	0.813	59	24700-0337	18.375	20.500	0.875
59	24700-0282	16.250	17.750	0.625	59	24700-0338	18.500	20.000	0.750
59	24700-0283	16.250	18.000	0.625	59	24700-0339	18.500	20.250	0.750
59	24700-0284	16.250	18.250	1.000	59	24700-0340	18.750	20.250	0.750
59	24700-0285	16.250	18.500	1.250	59	24700-0341	18.750	20.500	0.750

All dimensions are in inches. Preferred sizes are indicated with **bold** type face.

Sizes listed are for standard nitrile elements, except Models 25 and 62 which have PTFE elements. Other material available on inquiry only.

Garlock

Oil Seals by Model Number

MODEL NO	PART NO	SHAFT	BORE	WIDTH	MODEL NO	PART NO	SHAFT	BORE	WIDTH
59	24700-0343	18.750	20.750	0.750	59	24700-0406	22.375	24.368	0.875
59	24700-0344	18.897	20.464	0.787	59	24700-0407	22.375	24.375	0.875
59	24700-0345	19.000	20.500	0.750	59	24700-0408	22.438	24.250	0.750
59	24700-0346	19.000	21.000	0.875	59	24700-0409	22.438	24.438	0.875
59	24700-0347	19.000	21.500	0.750	59	24700-0411	22.500	24.250	0.750
59	24700-0348	19.250	20.750	0.750	59	24700-0412	22.500	24.495	0.875
59	24700-0349	19.250	21.000	0.750	59	24700-0413	22.500	24.500	0.750
59	24700-0350	19.250	21.250	0.750	59	24700-0414	22.500	24.750	0.875
59	24700-0352	19.375	21.000	0.813	59	24700-0415	22.750	24.500	0.750
59	24700-0354	19.500	21.000	0.750	59	24700-0416	22.750	24.750	0.875
59	24700-0355	19.500	21.500	0.750	59	24700-0417	22.750	25.000	0.875
59	24700-0356	19.500	21.688	0.750	59	24700-0418	23.000	24.500	0.750
59	24700-0357	19.750	21.750	0.875	59	24700-0419	23.000	24.750	0.750
59	24700-0358	19.750	22.250	0.875	59	24700-0420	23.000	25.000	0.875
59	24700-0359	19.875	22.000	0.875	59	24700-0421	23.000	25.375	0.875
59	24700-0360	19.938	21.500	0.750	59	24700-0422	23.000	25.500	0.875
59	24700-0362	20.000	21.500	0.625	59	24700-0423	23.250	25.000	0.750
59	24700-0363	20.000	21.750	0.750	59	24700-0424	23.250	25.250	0.750
59	24700-0364	20.000	22.125	1.000	59	24700-0425	23.375	25.375	1.000
59	24700-0365	20.000	22.500	0.875	59	24700-0426	23.500	25.250	0.750
59	24700-0366	20.250	21.750	0.750	59	24700-0427	23.500	25.500	0.875
59	24700-0367	20.250	22.250	0.875	59	24700-0428	23.562	25.250	0.750
59	24700-0368	20.250	22.375	1.000	59	24700-0429	23.563	25.375	0.750
59	24700-0369	20.250	22.500	0.875	59	24700-0430	23.625	25.750	0.875
59	24700-0370	20.438	22.500	0.750	59	24700-0431	23.625	26.000	0.875
59	24700-0371	20.500	22.000	0.750	59	24700-0432	23.750	26.750	1.500
59	24700-0372	20.500	22.500	0.625	59	24700-0433	23.875	26.000	0.875
59	24700-0373	20.750	22.750	0.750	59	24700-0434	24.000	25.500	0.750
59	24700-0374	20.750	23.000	0.875	59	24700-0435	24.000	26.000	0.750
59	24700-0375	20.866	22.836	0.787	59	24700-0436	24.000	26.250	1.000
59	24700-0377	20.875	22.875	0.750	59	24700-0437	24.000	26.500	1.000
59	24700-0380	21.000	22.500	0.750	59	24700-0438	24.250	26.250	0.875
59	24700-0381	21.000	22.750	0.750	59	24700-0439	24.375	26.375	0.750
59	24700-0382	21.000	23.000	0.625	59	24700-0440	24.438	26.000	0.750
59	24700-0384	21.000	23.250	0.875	59	24700-0441	24.438	26.438	0.750
59	24700-0385	21.000	23.500	0.875	59	24700-0442	24.500	26.500	0.875
59	24700-0386	21.250	23.000	0.750	59	24700-0443	25.000	26.500	0.750
59	24700-0387	21.250	23.250	0.625	59	24700-0444	25.000	27.000	0.875
59	24700-0390	21.500	23.250	0.750	59	24700-0445	25.000	27.375	0.875
59	24700-0391	21.500	23.500	0.750	59	24700-0446	25.000	27.500	0.875
59	24700-0392	21.500	24.000	0.875	59	24700-0447	25.125	26.750	0.750
59	24700-0394	21.625	23.375	0.750	59	24700-0448	25.188	26.875	0.750
59	24700-0395	21.625	23.625	0.875	59	24700-0450	25.250	27.250	0.875
59	24700-0397	21.750	23.750	0.750	59	24700-0451	25.250	28.000	0.875
59	24700-0398	21.750	24.000	0.875	59	24700-0452	25.375	28.500	1.500
59	24700-0399	21.750	24.250	0.875	59	24700-0453	25.500	27.000	0.750
59	24700-0400	21.750	24.750	1.000	59	24700-0454	25.500	27.500	0.750
59	24700-0401	22.000	24.000	0.750	59	24700-0455	25.625	27.750	1.000
59	24700-0402	22.000	24.250	1.000	59	24700-0456	25.750	27.250	0.750
59	24700-0403	22.000	24.500	0.875	59	24700-0457	25.750	28.755	1.500
59	24700-0404	22.250	24.250	0.875	59	24700-0458	25.875	28.000	0.875
59	24700-0405	22.375	24.250	0.750	59	24700-0459	25.988	27.625	0.750

All dimensions are in inches. Preferred sizes are indicated with **bold** type face. Sizes listed are for standard nitrile elements, except Models 25 and 62 which have PTFE elements. Other material available on inquiry only.

Oil Seals by Model Number

Garlock

MODEL NO	PART NO	SHAFT	BORE	WIDTH	MODEL NO	PART NO	SHAFT	BORE	WIDTH
59	24700-0460	26.000	27.625	0.750	59	24700-0514	31.250	33.250	0.750
59	24700-0461	26.000	28.000	0.750	59	24700-0515	31.750	33.750	0.875
59	24700-0462	26.000	28.500	0.875	59	24700-0516	32.000	34.000	0.875
59	24700-0463	26.125	28.125	0.813	59	24700-0517	32.000	34.500	0.875
59	24700-0464	26.375	28.188	0.750	59	24700-0518	32.125	34.125	0.875
59	24700-0465	26.375	28.250	0.875	59	24700-0519	32.312	34.500	0.875
59	24700-0466	26.375	28.375	1.000	59	24700-0520	32.500	34.500	0.875
59	24700-0467	26.500	28.000	0.750	59	24700-0521	31.750	35.750	1.500
59	24700-0468	26.500	28.500	0.875	59	24700-0522	33.000	34.500	0.750
59	24700-0469	26.500	29.500	1.500	59	24700-0523	33.000	34.609	0.750
59	24700-0470	27.000	29.000	0.750	59	24700-0524	33.000	34.613	0.750
59	24700-0471	27.000	29.500	1.000	59	24700-0525	33.000	34.625	0.750
59	24700-0472	27.000	30.000	0.875	59	24700-0526	33.000	34.630	0.750
59	24700-0473	27.250	29.250	0.813	59	24700-0527	33.000	34.688	0.750
59	24700-0474	27.500	29.000	0.750	59	24700-0528	33.000	35.000	0.750
59	24700-0475	27.500	29.500	0.875	59	24700-0529	33.000	35.250	0.875
59	24700-0476	27.625	29.125	0.750	59	24700-0530	33.000	35.500	0.750
59	24700-0477	27.625	29.625	0.750	59	24700-0531	33.500	35.500	0.875
59	24700-0478	27.875	29.812	0.875	59	24700-0532	33.500	36.000	0.875
59	24700-0479	27.875	29.815	0.875	59	24700-0533	33.500	36.002	0.938
59	24700-0480	28.000	29.500	0.750	59	24700-0534	33.500	36.250	0.875
59	24700-0481	28.000	29.625	0.750	59	24700-0535	33.625	35.625	0.875
59	24700-0482	28.000	29.813	0.750	59	24700-0536	34.000	36.000	0.875
59	24700-0483	28.000	30.000	0.875	59	24700-0537	34.000	36.250	1.250
59	24700-0484	28.000	30.250	1.250	59	24700-0538	34.000	36.500	0.875
59	24700-0485	28.000	30.500	0.875	59	24700-0539	34.000	37.000	1.000
59	24700-0486	28.000	30.535	0.875	59	24700-0540	34.250	36.250	0.875
59	24700-0487	28.000	31.000	0.875	59	24700-0541	34.250	36.750	0.875
59	24700-0488	28.000	32.000	0.875	59	24700-0542	34.500	36.000	0.750
59	24700-0490	28.500	30.500	0.625	59	24700-0543	34.750	36.625	0.750
59	24700-0491	28.500	31.000	0.875	59	24700-0544	34.750	36.750	0.875
59	24700-0492	28.750	30.750	0.875	59	24700-0545	35.000	37.000	0.813
59	24700-0493	29.000	30.500	0.750	59	24700-0546	35.000	37.500	0.875
59	24700-0494	29.000	31.000	0.875	59	24700-0547	35.250	38.250	0.750
59	24700-0495	29.000	32.000	0.875	59	24700-0548	35.375	37.375	1.000
59	24700-0496	29.125	32.000	1.500	59	24700-0549	35.500	37.500	0.875
59	24700-0498	29.500	31.500	0.750	59	24700-0550	36.000	37.998	0.875
59	24700-0499	29.500	32.000	0.875	59	24700-0551	36.000	38.000	0.875
59	24700-0500	29.500	32.250	1.000	59	24700-0552	36.000	38.500	0.875
59	24700-0501	29.500	32.500	0.938	59	24700-0553	36.000	39.500	1.500
59	24700-0502	30.000	31.616	0.750	59	24700-0554	36.500	38.500	0.875
59	24700-0503	30.000	31.625	0.625	59	24700-0557	36.750	38.750	1.000
59	24700-0504	30.000	32.000	0.750	59	24700-0558	36.750	39.250	0.875
59	24700-0505	30.000	32.250	1.156	59	24700-0559	37.000	39.000	0.875
59	24700-0506	30.000	32.500	0.875	59	24700-0560	37.250	39.250	0.875
59	24700-0507	30.250	32.500	0.875	59	24700-0561	37.438	39.500	0.875
59	24700-0508	30.500	32.500	0.750	59	24700-0562	37.500	39.000	0.875
59	24700-0509	30.500	33.000	0.750	59	24700-0563	37.500	39.500	0.750
59	24700-0510	30.500	33.500	0.875	59	24700-0564	37.500	40.250	1.000
59	24700-0511	31.000	32.500	1.000	59	24700-0565	37.795	40.945	0.906
59	24700-0512	31.000	33.000	0.875	59	24700-0568	38.000	40.000	0.875
59	24700-0513	31.000	34.000	0.875	59	24700-0569	38.250	40.250	0.875

All dimensions are in inches. Preferred sizes are indicated with **bold** type face.

Sizes listed are for standard nitrile elements, except Models 25 and 62 which have PTFE elements. Other material available on inquiry only.

Garlock

Oil Seals by Model Number

MODEL NO	PART NO	SHAFT	BORE	WIDTH	MODEL NO	PART NO	SHAFT	BORE	WIDTH
59	24700-0570	38.250	40.750	0.750	59	24700-1000	12.992	15.354	0.984
59	24700-0571	38.258	40.750	0.875	59	24700-1006	30.000	32.000	0.875
59	24700-0577	38.500	41.000	1.000	59	24700-1013	20.000	21.500	0.750
59	24700-0578	38.750	40.750	0.875	59	24700-1020	16.250	17.750	0.687
59	24700-0579	39.000	41.000	0.750	59	24700-1024	6.000	7.500	0.625
59	24700-0580	39.000	41.500	0.875	59	24700-1043	33.858	35.433	0.787
59	24700-0581	39.750	42.250	0.875	59	24700-1044	25.590	27.165	0.787
59	24700-0582	39.979	41.500	1.000	59	24700-1050	12.500	14.500	0.906
59	24700-0583	40.000	42.000	0.875	59	24700-1068	8.250	10.250	0.750
59	24700-0584	40.500	42.500	0.875	59	24700-1070	24.803	26.750	0.875
59	24700-0585	40.500	43.000	0.875	59	24700-1134	5.512	6.693	0.630
59	24700-0586	41.500	43.500	0.875	59	24700-1135	22.000	24.000	0.875
59	24700-0587	41.812	45.000	1.000	59	24700-1246	19.685	21.654	0.866
59	24700-0588	41.938	43.750	0.875	59	24700-1247	18.898	20.866	0.787
59	24700-0589	42.250	44.250	1.000	59	24700-1331	16.531	18.504	0.866
59	24700-0590	43.000	45.000	0.875	59	24700-1332	15.748	17.480	0.787
59	24700-0591	43.500	45.500	0.750	59	24700-1343	9.375	11.000	0.625
59	24700-0592	43.750	45.750	0.875	59	24700-1741	8.625	10.500	0.750
59	24700-0593	44.000	46.000	0.875	59	24700-1867	17.000	19.000	0.812
59	24700-0594	44.000	46.500	0.875	59	24700-1868	12.250	14.250	0.812
59	24700-0595	44.000	47.000	1.250	59	24700-1869	12.250	14.000	0.875
59	24700-0596	44.500	46.000	0.875	59	24700-1875	11.625	13.000	0.750
59	24700-0597	45.000	46.750	0.875	59	24700-1892	14.173	15.748	0.787
59	24700-0598	45.000	47.000	0.875	59	24700-1895	7.750	8.750	0.625
59	24700-0599	45.750	47.768	0.875	59	24700-1902	13.780	16.142	0.787
59	24700-0600	46.000	48.000	0.875	59	24700-1904	11.250	12.750	0.750
59	24700-0601	46.500	48.500	0.875	59	24700-1931	22.750	25.500	0.875
59	24700-0602	47.000	49.000	0.875	59	24700-1933	30.709	33.228	0.984
59	24700-0603	47.750	50.500	1.125	59	24700-1959	43.500	45.500	0.875
59	24700-0604	48.250	50.250	0.875	59	24700-1966	12.598	14.173	0.709
59	24700-0605	49.000	50.750	1.000	59	24700-1971	27.000	29.000	1.000
59	24700-0606	49.500	52.250	1.000	59	24700-1977	20.000	22.000	0.750
59	24700-0607	50.000	52.000	0.875	59	24700-1989	19.938	21.688	0.750
59	24700-0608	52.500	55.000	0.875	59	24700-1990	20.500	22.500	0.750
59	24700-0610	53.000	54.875	0.813	59	24700-1991	21.000	23.000	0.750
59	24700-0611	54.000	56.000	1.000	59	24700-1992	21.250	23.250	0.750
59	24700-0612	54.750	56.375	0.875	59	24700-1993	21.500	22.688	0.750
59	24700-0613	55.500	57.500	0.750	59	24700-1994	21.750	23.250	0.750
59	24700-0614	57.875	60.000	0.938	59	24700-1995	22.500	23.688	0.750
59	24700-0615	59.000	61.000	0.875	59	24700-1996	28.125	29.250	0.750
59	24700-0616	61.250	63.250	1.000	59	24700-1997	28.500	30.500	0.750
59	24700-0617	62.500	64.000	0.875	59	24700-1998	29.134	30.709	0.750
59	24700-0618	62.500	64.500	0.875	59	24700-1999	30.000	31.625	0.750
59	24700-0782	17.000	19.000	1.000	59	24700-2000	36.500	39.000	0.750
59	24700-0820	28.000	30.500	1.000	59	24700-2018	13.625	14.875	0.687
59	24700-0821	25.000	27.500	1.000	59	24700-2022	15.938	18.000	0.750
59	24700-0824	21.438	23.188	0.750	59	24700-2043	7.480	8.661	0.591
59	24700-0844	6.750	8.250	0.562	59	24700-2044	9.469	10.625	0.625
59	24700-0982	11.024	12.205	0.630	59	24700-2049	15.354	17.717	0.984
59	24700-0986	23.375	25.375	0.812	59	24700-2126	20.000	21.500	0.875
59	24700-0992	14.173	15.354	0.709	59	24700-2183	7.677	9.055	0.591
59	24700-0999	12.204	13.780	0.787	59	24700-2189	9.725	11.750	0.625

All dimensions are in inches. Preferred sizes are indicated with **bold** type face. Sizes listed are for standard nitrile elements, except Models 25 and 62 which have PTFE elements. Other material available on inquiry only.

Oil Seals by Model Number

Garlock

MODEL NO	PART NO	SHAFT	BORE	WIDTH	MODEL NO	PART NO	SHAFT	BORE	WIDTH
59	24700-2229	20.000	21.500	0.687	59	24700-3492	7.000	8.000	0.625
59	24700-2493	15.875	17.500	0.750	59	24700-3500	7.000	8.500	0.625
59	24700-2521	41.625	44.000	0.875	59	24700-3512	7.125	8.500	0.625
59	24700-2543	28.740	31.260	0.984	59	24700-3527	7.250	8.750	0.750
59	24700-2565	16.500	18.500	0.812	59	24700-3535	20.866	23.228	0.984
59	24700-2569	11.500	13.000	0.687	59	24700-3539	20.000	21.250	0.625
59	24700-2620	10.688	12.500	0.625	59	24700-3544	7.500	8.500	0.625
59	24700-2654	19.625	21.625	0.812	59	24700-3548	7.500	8.750	0.625
59	24700-2691	18.000	19.500	0.750	59	24700-3552	7.500	9.000	0.625
59	24700-2703	4.331	5.512	0.551	59	24700-3573	70.000	72.000	0.875
59	24700-2724	21.654	23.622	0.866	59	24700-3578	7.750	9.250	0.625
59	24700-2726	15.748	17.716	0.748	59	24700-3588	7.875	9.375	0.625
59	24700-2873	39.370	41.339	0.906	59	24700-3596	8.000	9.250	0.625
59	24700-2906	11.500	13.000	0.750	59	24700-3606	8.250	9.500	0.625
59	24700-2914	9.750	10.750	0.625	59	24700-3613	11.250	13.250	0.812
59	24700-2936	12.500	14.000	0.687	59	24700-3631	8.375	9.750	0.750
59	24700-2980	12.000	14.000	0.937	59	24700-3640	9.500	10.750	0.625
59	24700-2981	20.000	22.000	1.000	59	24700-3644	9.500	11.250	0.625
59	24700-2991	37.795	40.157	0.875	59	24700-3660	10.000	11.000	0.562
59	24700-2992	7.625	8.750	0.625	59	24700-3665	10.500	11.750	0.625
59	24700-3003	14.125	15.625	0.750	59	24700-3667	20.866	22.835	0.866
59	24700-3042	16.250	18.500	0.812	59	24700-3682	10.750	11.750	0.562
59	24700-3080	39.370	41.338	0.875	59	24700-3685	10.750	12.250	0.562
59	24700-3091	13.780	15.748	0.984	59	24700-3691	11.000	12.000	0.625
59	24700-3100	11.417	13.780	0.984	59	24700-3693	11.000	12.500	0.625
59	24700-3132	29.921	31.890	0.984	59	24700-3695	11.024	12.598	0.787
59	24700-3133	19.291	20.866	0.787	59	24700-3699	37.500	39.500	0.875
59	24700-3134	23.228	24.803	0.787	59	24700-3710	12.000	14.250	1.000
59	24700-3140	9.875	11.875	0.969	59	24700-3718	12.875	14.750	1.000
59	24700-3150	9.000	10.500	0.687	59	24700-3726	14.000	16.250	1.000
59	24700-3171	42.500	45.000	0.750	59	24700-3740	16.929	18.898	0.866
59	24700-3172	48.000	50.000	1.000	59	24700-3741	17.000	18.750	0.750
59	24700-3212	13.780	14.961	0.630	59	24700-3768	8.000	9.500	0.687
59	24700-3220	19.938	21.688	0.625	59	24700-3769	22.441	24.016	0.787
59	24700-3250	32.750	34.500	0.875	59	24700-3773	20.750	22.750	0.875
59	24700-3256	22.000	23.750	0.875	59	24700-3793	17.000	18.250	0.625
59	24700-3279	26.500	28.000	0.875	59	24700-3816	8.125	10.135	0.750
59	24700-3281	5.750	7.000	0.500	59	24700-3817	8.250	9.250	0.625
59	24700-3352	6.102	7.087	0.591	59	24700-3819	8.250	10.000	0.750
59	24700-3355	6.000	7.000	0.500	59	24700-3832	8.875	10.125	0.625
59	24700-3367	6.000	7.500	0.500	59	24700-3837	29.921	32.008	0.866
59	24700-3369	22.375	25.250	0.875	59	24700-3853	12.000	14.000	0.625
59	24700-3424	6.437	7.687	0.625	59	24700-3866	14.500	16.250	0.625
59	24700-3426	6.500	7.500	0.625	59	24700-3868	16.500	17.750	0.750
59	24700-3427	10.500	11.500	0.625	59	24700-3876	30.500	32.500	0.875
59	24700-3428	23.750	25.250	0.875	59	24700-3880	14.567	16.299	0.787
59	24700-3454	12.366	14.500	0.750	59	24700-3882	13.386	14.961	0.709
59	24700-3461	22.047	24.016	0.787	59	24700-3903	64.000	65.375	0.875
59	24700-3464	6.750	8.250	0.625	59	24700-3919	6.693	7.874	0.630
59	24700-3470	44.000	47.000	0.875	59	24700-3935	8.500	9.500	0.625
59	24700-3489	27.165	28.740	0.787	59	24700-3943	17.716	19.291	0.787
59	24700-3490	13.779	15.748	0.669	59	24700-3945	26.378	27.953	0.787

All dimensions are in inches. Preferred sizes are indicated with **bold** type face.

Sizes listed are for standard nitrile elements, except Models 25 and 62 which have PTFE elements. Other material available on inquiry only.

Garlock

Oil Seals by Model Number

MODEL NO	PART NO	SHAFT	BORE	WIDTH	MODEL NO	PART NO	SHAFT	BORE	WIDTH
59	24700-3949	42.520	45.039	0.984	59	24700-4269	22.000	23.500	0.750
59	24700-3950	15.354	17.323	0.787	59	24700-4294	24.000	26.000	0.875
59	24700-3951	8.750	10.750	0.750	59	24700-4360	25.437	27.187	0.750
59	24700-3955	9.055	10.236	0.591	59	24700-4376	30.500	33.000	1.000
59	24700-3961	63.780	65.551	0.787	59	24700-4393	17.323	18.898	0.787
59	24700-3992	10.000	11.500	0.687	59	24700-4394	14.173	15.748	0.709
59	24700-4002	16.339	18.307	0.787	59	24700-4396	15.748	17.322	0.787
59	24700-4003	10.125	12.000	0.750	59	24700-4397	12.598	14.173	0.787
59	24700-4006	10.500	12.500	0.625	59	24700-4405	34.500	36.500	0.875
59	24700-4008	10.250	12.250	0.625	59	24700-4423	14.764	16.535	0.787
59	24700-4009	11.811	13.071	0.630	59	24700-4429	15.748	17.716	0.761
59	24700-4019	22.047	24.016	0.866	59	24700-4454	28.500	30.500	0.875
59	24700-4028	11.024	12.598	0.709	59	24700-4481	9.250	11.250	0.562
59	24700-4029	12.402	13.976	0.709	59	24700-4486	18.110	20.078	0.866
59	24700-4035	9.055	10.629	0.551	59	24700-4487	28.740	31.259	1.007
59	24700-4038	6.299	7.874	0.551	59	24700-4494	24.250	26.000	1.000
59	24700-4041	12.250	13.750	0.625	59	24700-4496	12.500	14.000	0.625
59	24700-4047	19.685	21.260	0.787	59	24700-4501	8.438	10.000	0.625
59	24700-4049	10.250	11.250	0.500	59	24700-4503	9.000	10.000	0.625
59	24700-4051	11.375	13.000	0.750	59	24700-4505	9.000	10.250	0.625
59	24700-4056	11.811	13.543	0.787	59	24700-4508	18.110	19.685	0.787
59	24700-4058	12.795	14.370	0.630	59	24700-4512	16.142	17.717	0.787
59	24700-4066	22.047	23.780	0.787	59	24700-4514	21.654	24.016	0.984
59	24700-4072	12.000	14.000	0.812	59	24700-4515	9.750	11.000	0.625
59	24700-4082	12.500	14.500	0.750	59	24700-4516	28.740	31.102	0.984
59	24700-4086	12.625	14.125	0.750	59	24700-4517	25.590	27.953	0.984
59	24700-4093	13.000	14.500	0.687	59	24700-4518	23.622	25.984	0.984
59	24700-4095	13.000	14.625	0.750	59	24700-4519	23.622	25.590	0.866
59	24700-4097	26.375	28.188	0.875	59	24700-4525	20.472	22.205	0.866
59	24700-4098	13.000	15.000	0.750	59	24700-4534	16.750	18.500	0.687
59	24700-4100	38.976	40.945	0.866	59	24700-4555	14.625	16.000	0.625
59	24700-4127	13.500	15.500	0.750	59	24700-4573	11.437	13.750	0.625
59	24700-4137	41.432	43.307	0.787	59	24700-4578	30.615	33.268	1.094
59	24700-4142	14.500	16.000	0.688	59	24700-4583	34.000	37.000	0.875
59	24700-4147	14.750	16.250	0.688	59	24700-4584	38.000	40.000	0.625
59	24700-4155	15.000	17.000	0.750	59	24700-4598	21.260	23.228	0.866
59	24700-4162	15.500	17.000	0.750	59	24700-4599	49.213	51.732	0.984
59	24700-4180	16.000	18.000	0.812	59	24700-4600	17.874	19.874	0.843
59	24700-4188	17.000	18.500	0.687	59	24700-4612	12.000	13.500	0.688
59	24700-4198	17.500	19.500	0.687	59	24700-4621	12.500	14.008	0.906
59	24700-4216	18.500	20.500	0.875	59	24700-4626	27.250	29.250	0.875
59	24700-4231	20.000	22.000	0.625	59	24700-4646	19.500	21.750	0.875
59	24700-4241	22.441	24.409	0.984	59	24700-4671	31.890	34.409	0.984
59	24700-4243	22.047	24.409	0.984	59	24700-4672	26.378	28.898	0.984
59	24700-4244	25.590	27.756	0.787	59	24700-4673	17.323	19.291	0.866
59	24700-4245	22.441	24.409	0.866	59	24700-4674	14.961	16.693	0.787
59	24700-4246	20.500	22.500	0.875	59	24700-4755	13.780	14.961	0.787
59	24700-4251	13.500	15.000	0.687	59	24700-4763	9.055	10.630	0.630
59	24700-4252	16.929	18.504	0.787	59	24700-4764	20.472	22.205	0.787
59	24700-4254	21.250	23.250	0.875	59	24700-4767	10.039	11.417	0.630
59	24700-4255	18.504	20.866	0.984	59	24700-4803	9.125	10.375	0.625
59	24700-4256	22.835	25.197	0.984	59	24700-4824	37.402	39.921	0.984

All dimensions are in inches. Preferred sizes are indicated with **bold** type face. Sizes listed are for standard nitrile elements, except Models 25 and 62 which have PTFE elements. Other material available on inquiry only.

Oil Seals by Model Number

Garlock

MODEL NO	PART NO	SHAFT	BORE	WIDTH	MODEL NO	PART NO	SHAFT	BORE	WIDTH
59	24700-4858	10.992	12.402	0.787	59	24700-5932	9.438	11.500	1.000
59	24700-4875	30.315	33.268	1.063	59	24700-5987	14.563	16.000	0.625
59	24700-4879	19.125	21.125	0.812	59	24700-6386	8.750	10.000	0.625
59	24700-4891	10.236	12.402	0.945	59	24700-6508	19.000	21.000	0.812
59	24700-4917	29.921	31.496	0.787	59	24700-6646	8.875	10.875	0.750
59	24700-4936	15.354	17.323	0.984	59	24700-6808	10.000	11.250	0.625
59	24700-4950	10.000	11.500	0.625	59	24700-7059	18.500	20.500	0.750
59	24700-4999	10.236	12.598	0.984	59	24700-7263	11.500	12.750	0.625
59	24700-5054	17.500	19.250	0.688	59	24700-7268	6.693	7.875	0.590
59	24700-5064	15.748	17.323	0.630	59	24700-7388	7.874	9.055	0.591
59	24700-5079	19.375	21.000	0.750	59	24700-7805	13.000	14.500	0.625
59	24700-5102	13.780	15.512	0.787	59	24700-7832	11.250	12.750	0.625
59	24700-5107	13.780	15.512	0.748	59	24700-8655	10.630	12.205	0.630
59	24700-5111	10.236	11.418	0.630	59	24700-9477	20.000	22.000	0.875
59	24700-5162	25.500	27.500	0.875	61	24060-0005	0.313	0.750	0.250
59	24700-5170	13.386	14.961	0.787	61	24060-0013	0.375	0.750	0.250
59	24700-5172	15.354	16.929	0.709	61	24060-0015	0.375	0.875	0.250
59	24700-5280	23.622	25.197	0.787	61	24060-0017	0.375	1.000	0.312
59	24700-5281	15.354	17.087	0.787	61	24060-0023	0.375	1.375	0.312
59	24700-5287	6.750	7.750	0.750	61	24060-0024	0.472	1.102	0.276
59	24700-5299	15.236	16.417	0.591	61	24060-0049	0.500	1.000	0.312
59	24700-5317	7.874	9.055	0.630	61	24060-0087	0.625	1.125	0.312
59	24700-5324	7.468	8.468	0.688	61	24060-0089	0.625	1.250	0.312
59	24700-5335	5.906	7.087	0.551	61	24060-0090	0.625	1.250	0.375
59	24700-5339	9.843	11.024	0.591	61	24060-0091	0.625	1.375	0.312
59	24700-5357	8.661	9.842	0.594	61	24060-0093	0.625	1.500	0.312
59	24700-5359	9.449	10.630	0.594	61	24060-0109	0.687	1.125	0.312
59	24700-5377	22.375	25.250	1.125	61	24060-0132	1.575	2.441	0.315
59	24700-5421	15.500	17.500	0.812	61	24060-0139	0.750	1.250	0.312
59	24700-5429	10.236	11.812	0.787	61	24060-0141	0.750	1.375	0.312
59	24700-5438	20.866	22.441	0.787	61	24060-0143	0.750	1.500	0.312
59	24700-5440	20.945	22.520	0.787	61	24060-0147	0.750	1.625	0.312
59	24700-5441	13.976	15.551	0.787	61	24060-0149	0.750	1.750	0.375
59	24700-5442	28.938	30.512	0.787	61	24060-0213	0.875	1.375	0.312
59	24700-5447	47.500	49.500	0.875	61	24060-0215	0.875	1.500	0.312
59	24700-5452	21.063	22.638	0.787	61	24060-0287	1.000	1.500	0.312
59	24700-5464	17.717	20.079	0.984	61	24060-0288	1.000	1.500	0.375
59	24700-5465	10.750	12.750	0.625	61	24060-0290	1.000	1.575	0.375
59	24700-5466	14.961	17.323	0.984	61	24060-0291	1.000	1.625	0.312
59	24700-5477	13.780	16.142	0.984	61	24060-0292	1.000	1.625	0.375
59	24700-5525	12.992	14.724	0.787	61	24060-0293	1.000	1.750	0.375
59	24700-5559	23.622	25.591	0.984	61	24060-0297	1.000	1.875	0.375
59	24700-5560	31.496	34.015	0.984	61	24060-0312	1.181	1.575	0.276
59	24700-5581	12.125	13.875	0.687	61	24060-0320	1.181	1.850	0.276
59	24700-5595	35.500	38.000	1.000	61	24060-0325	1.063	1.750	0.375
59	24700-5620	35.433	38.583	0.906	61	24060-0352	1.125	1.625	0.375
59	24700-5693	12.205	14.173	0.984	61	24060-0353	1.125	1.750	0.375
59	24700-5694	14.567	16.339	0.787	61	24060-0357	1.125	1.875	0.375
59	24700-5711	13.750	15.750	1.000	61	24060-0359	1.125	2.000	0.375
59	24700-5740	13.250	15.250	1.000	61	24060-0387	1.188	2.000	0.375
59	24700-5802	11.688	13.000	0.750	61	24060-0427	1.250	2.000	0.375
59	24700-5814	9.055	10.630	0.591	61	24060-0436	1.250	2.125	0.375

All dimensions are in inches. Preferred sizes are indicated with **bold** type face.

Sizes listed are for standard nitrile elements, except Models 25 and 62 which have PTFE elements. Other material available on inquiry only.

Garlock

Oil Seals by Model Number

MODEL NO	PART NO	SHAFT	BORE	WIDTH	MODEL NO	PART NO	SHAFT	BORE	WIDTH
61	24060-0439	1.250	2.250	0.375	61	24060-1129	1.938	2.875	0.375
61	24060-0442	1.250	2.375	0.375	61	24060-1153	1.969	2.750	0.375
61	24060-0535	1.375	2.062	0.375	61	24060-1156	1.969	2.756	0.375
61	24060-0541	1.375	2.125	0.375	61	24060-1189	2.000	2.750	0.375
61	24060-0544	1.375	2.250	0.375	61	24060-1190	2.000	2.750	0.437
61	24060-0556	1.375	2.500	0.375	61	24060-1198	2.000	2.875	0.375
61	24060-0571	1.406	2.375	0.375	61	24060-1204	2.000	3.000	0.375
61	24060-0574	2.165	2.756	0.315	61	24060-1205	2.000	3.000	0.437
61	24060-0592	1.438	2.125	0.375	61	24060-1247	0.750	1.750	0.312
61	24060-0595	1.438	2.500	0.375	61	24060-1251	0.625	1.625	0.312
61	24060-0598	1.438	2.375	0.375	61	24060-1257	0.750	1.875	0.312
61	24060-0643	1.500	2.250	0.375	61	24060-1268	0.875	1.750	0.312
61	24060-0646	1.500	2.375	0.375	61	24060-1271	0.875	1.875	0.312
61	24060-0653	2.360	3.150	0.375	61	24060-1272	1.000	2.000	0.312
61	24060-0655	1.500	2.500	0.375	61	24060-1274	1.000	2.125	0.375
61	24060-0658	1.500	2.625	0.375	61	24060-1281	1.063	1.625	0.250
61	24060-0664	1.500	2.750	0.375	61	24060-1319	1.188	1.750	0.312
61	24060-0667	1.500	2.756	0.375	61	24060-1320	2.125	2.875	0.437
61	24060-0703	1.563	2.375	0.375	61	24060-1321	2.125	2.875	0.375
61	24060-0706	1.563	2.438	0.375	61	24060-1325	1.188	1.875	0.312
61	24060-0710	2.559	3.346	0.394	61	24060-1328	2.125	3.000	0.437
61	24060-0712	1.563	2.500	0.375	61	24060-1334	2.125	3.125	0.437
61	24060-0729	2.559	3.543	0.394	61	24060-1337	1.250	1.875	0.312
61	24060-0738	5.438	6.500	0.500	61	24060-1338	1.250	2.063	0.312
61	24060-0758	1.625	2.187	0.375	61	24060-1343	1.250	2.125	0.312
61	24060-0760	1.625	2.375	0.375	61	24060-1344	1.250	2.250	0.312
61	24060-0772	1.625	2.625	0.375	61	24060-1354	1.375	2.000	0.312
61	24060-0788	1.625	2.875	0.437	61	24060-1355	1.375	2.438	0.250
61	24060-0809	2.953	3.937	0.394	61	24060-1356	1.375	2.750	0.375
61	24060-0813	1.750	2.375	0.375	61	24060-1358	1.438	2.000	0.312
61	24060-0829	1.688	2.438	0.375	61	24060-1361	1.438	2.063	0.312
61	24060-0835	1.688	2.500	0.375	61	24060-1362	1.438	2.188	0.375
61	24060-0844	1.688	2.750	0.375	61	24060-1364	1.500	2.125	0.312
61	24060-0853	1.688	2.875	0.375	61	24060-1367	1.500	2.313	0.312
61	24060-0859	1.688	3.000	0.375	61	24060-1368	1.500	2.875	0.375
61	24060-0882	2.165	2.835	0.315	61	24060-1370	1.563	2.563	0.500
61	24060-0904	1.750	2.500	0.375	61	24060-1371	1.625	2.250	0.312
61	24060-0907	1.750	2.625	0.375	61	24060-1372	1.625	2.375	0.312
61	24060-0913	1.750	2.750	0.375	61	24060-1373	1.625	2.500	0.312
61	24060-0917	2.938	4.000	0.500	61	24060-1378	2.156	3.189	0.375
61	24060-0924	1.750	2.875	0.500	61	24060-1386	1.750	2.438	0.312
61	24060-0928	1.750	3.000	0.375	61	24060-1399	2.188	2.875	0.375
61	24060-0976	1.813	2.625	0.375	61	24060-1409	1.750	2.563	0.500
61	24060-1033	3.150	3.937	0.394	61	24060-1412	1.875	2.500	0.312
61	24060-1042	1.875	2.625	0.375	61	24060-1418	1.875	2.500	0.375
61	24060-1048	1.875	2.750	0.375	61	24060-1419	1.875	2.500	0.500
61	24060-1057	1.875	2.875	0.375	61	24060-1421	2.000	2.500	0.375
61	24060-1059	1.875	2.875	0.500	61	24060-1429	2.000	2.625	0.375
61	24060-1076	1.875	3.189	0.437	61	24060-1431	2.000	2.750	0.312
61	24060-1092	1.625	2.250	0.375	61	24060-1440	3.437	4.500	0.437
61	24060-1117	1.937	2.686	0.375	61	24060-1446	2.000	3.250	0.437
61	24060-1120	1.938	2.750	0.375	61	24060-1458	2.000	3.500	0.375

All dimensions are in inches. Preferred sizes are indicated with **bold** type face. Sizes listed are for standard nitrile elements, except Models 25 and 62 which have PTFE elements. Other material available on inquiry only.

Oil Seals by Model Number

Garlock

MODEL NO	PART NO	SHAFT	BORE	WIDTH	MODEL NO	PART NO	SHAFT	BORE	WIDTH
61	24060-1464	2.063	2.625	0.375	61	24060-1599	3.500	4.250	0.500
61	24060-1466	2.063	2.875	0.375	61	24060-1601	3.563	4.500	0.437
61	24060-1467	2.125	2.750	0.312	61	24060-1604	3.563	4.500	0.500
61	24060-1469	3.000	3.625	0.437	61	24060-1605	3.625	4.250	0.312
61	24060-1470	0.866	1.575	0.315	61	24060-1606	3.750	4.375	0.500
61	24060-1474	2.250	3.000	0.375	61	24060-1607	3.875	4.500	0.312
61	24060-1475	2.250	3.000	0.437	61	24060-1611	3.875	4.500	0.500
61	24060-1478	0.984	1.378	0.315	61	24060-1613	3.875	4.625	0.500
61	24060-1484	1.496	2.165	0.394	61	24060-1614	3.875	4.750	0.500
61	24060-1488	4.000	4.750	0.500	61	24060-1624	2.344	3.500	0.375
61	24060-1490	2.362	2.953	0.315	61	24060-1640	3.938	6.250	0.500
61	24060-1493	2.250	3.250	0.437	61	24060-1642	2.375	3.125	0.375
61	24060-1502	4.331	5.512	0.512	61	24060-1643	4.000	4.750	0.375
61	24060-1503	2.250	2.875	0.312	61	24060-1646	4.250	4.875	0.500
61	24060-1505	2.250	3.500	0.437	61	24060-1649	4.250	5.000	0.437
61	24060-1507	2.250	2.875	0.375	61	24060-1652	4.250	5.125	0.500
61	24060-1508	2.250	3.125	0.437	61	24060-1655	2.375	3.250	0.437
61	24060-1509	2.250	3.375	0.437	61	24060-1666	2.375	3.500	0.375
61	24060-1511	2.250	3.625	0.437	61	24060-1667	4.750	5.500	0.500
61	24060-1512	2.375	2.875	0.312	61	24060-1670	5.000	5.625	0.375
61	24060-1514	2.375	3.000	0.312	61	24060-1674	5.250	6.000	0.500
61	24060-1523	2.375	3.000	0.437	61	24060-1676	5.375	6.125	0.500
61	24060-1529	2.375	3.375	0.437	61	24060-1679	5.500	6.250	0.437
61	24060-1537	2.438	3.375	0.375	61	24060-1682	5.500	6.375	0.500
61	24060-1539	2.438	3.500	0.437	61	24060-1683	5.500	6.500	0.250
61	24060-1541	2.500	3.125	0.312	61	24060-1684	5.750	6.375	0.500
61	24060-1542	2.500	3.125	0.500	61	24060-1685	5.750	6.500	0.500
61	24060-1544	2.500	3.375	0.437	61	24060-1686	6.500	7.250	0.500
61	24060-1545	2.500	3.500	0.312	61	24060-1687	6.500	7.500	0.250
61	24060-1547	2.500	4.500	0.437	61	24060-1724	7.125	8.000	0.375
61	24060-1549	2.625	3.250	0.312	61	24060-1731	7.125	8.500	0.500
61	24060-1550	2.625	3.250	0.375	61	24060-1734	7.188	8.438	0.500
61	24060-1551	2.625	3.375	0.437	61	24060-1739	7.250	9.000	0.500
61	24060-1553	2.750	3.375	0.312	61	24060-1747	2.438	3.500	0.375
61	24060-1554	2.750	3.375	0.437	61	24060-1748	0.315	0.709	0.197
61	24060-1556	2.875	3.500	0.312	61	24060-1754	0.669	1.102	0.315
61	24060-1559	2.750	5.000	0.500	61	24060-1760	0.787	1.378	0.315
61	24060-1560	2.875	4.000	0.500	61	24060-1761	0.984	1.653	0.315
61	24060-1562	2.938	3.625	0.312	61	24060-1763	1.181	1.654	0.315
61	24060-1564	3.000	3.625	0.312	61	24060-1776	1.260	1.850	0.315
61	24060-1565	3.125	3.750	0.312	61	24060-1784	1.299	1.772	0.315
61	24060-1566	3.125	3.750	0.500	61	24060-1787	1.378	1.850	0.315
61	24060-1568	3.125	3.875	0.500	61	24060-1789	1.378	1.969	0.394
61	24060-1569	3.125	4.000	0.375	61	24060-1792	1.654	2.362	0.394
61	24060-1571	3.188	4.250	0.375	61	24060-1793	1.654	2.441	0.394
61	24060-1572	3.250	3.875	0.312	61	24060-1796	1.772	2.362	0.315
61	24060-1574	3.250	4.000	0.437	61	24060-1797	1.772	2.441	0.394
61	24060-1577	3.250	4.000	0.500	61	24060-1808	2.500	3.250	0.437
61	24060-1580	3.375	4.000	0.312	61	24060-1814	1.969	2.559	0.394
61	24060-1583	3.438	4.125	0.437	61	24060-1820	2.500	3.500	0.437
61	24060-1591	3.500	4.125	0.312	61	24060-1828	2.500	3.750	0.375
61	24060-1595	3.500	4.125	0.500	61	24060-1835	2.165	2.835	0.394

All dimensions are in inches. Preferred sizes are indicated with **bold** type face.

Sizes listed are for standard nitrile elements, except Models 25 and 62 which have PTFE elements. Other material available on inquiry only.

Garlock

Oil Seals by Model Number

MODEL NO	PART NO	SHAFT	BORE	WIDTH	MODEL NO	PART NO	SHAFT	BORE	WIDTH
61	24060-1839	2.362	3.150	0.394	61	24060-2334	1.188	1.750	0.375
61	24060-1842	2.625	3.625	0.437	61	24060-2335	1.438	1.938	0.375
61	24060-1847	2.559	3.150	0.394	61	24060-2345	3.438	4.500	0.500
61	24060-1848	2.953	3.740	0.512	61	24060-2348	3.437	4.625	0.500
61	24060-1854	3.346	4.331	0.394	61	24060-2366	3.500	4.500	0.500
61	24060-1856	3.543	4.331	0.394	61	24060-2372	3.500	4.750	0.500
61	24060-1859	3.740	4.724	0.394	61	24060-2404	7.125	8.375	0.500
61	24060-1880	4.724	5.906	0.512	61	24060-2410	1.500	2.375	0.312
61	24060-1884	5.315	6.496	0.315	61	24060-2411	3.150	4.134	0.394
61	24060-1898	5.512	6.496	0.394	61	24060-2417	3.625	4.625	0.500
61	24060-1912	1.575	2.362	0.394	61	24060-2420	3.625	4.750	0.500
61	24060-1931	1.575	2.165	0.394	61	24060-2451	2.675	3.350	0.375
61	24060-1939	2.625	3.500	0.375	61	24060-2460	1.399	2.292	0.315
61	24060-1966	5.000	5.750	0.500	61	24060-2461	5.512	7.087	0.591
61	24060-1993	2.688	3.500	0.375	61	24060-2462	3.750	4.750	0.500
61	24060-2035	2.750	3.500	0.375	61	24060-2478	1.938	2.500	0.375
61	24060-2037	2.750	3.500	0.500	61	24060-2503	1.000	2.047	0.312
61	24060-2038	2.756	3.543	0.394	61	24060-2508	2.874	3.543	0.393
61	24060-2049	2.750	3.875	0.500	61	24060-2514	1.922	2.875	0.438
61	24060-2057	2.750	3.750	0.375	61	24060-2525	3.938	5.250	0.500
61	24060-2059	2.880	3.625	0.375	61	24060-2526	2.813	3.751	0.438
61	24060-2073	2.125	2.625	0.375	61	24060-2532	1.693	2.756	0.315
61	24060-2074	4.187	4.999	0.468	61	24060-2540	4.000	5.125	0.500
61	24060-2082	1.969	3.250	0.437	61	24060-2543	4.000	5.250	0.500
61	24060-2119	1.378	1.969	0.276	61	24060-2562	3.320	4.132	0.450
61	24060-2123	2.875	3.875	0.500	61	24060-2574	1.552	2.500	0.500
61	24060-2146	2.938	3.750	0.375	61	24060-2600	4.125	5.125	0.500
61	24060-2148	2.938	3.750	0.500	61	24060-2603	4.125	5.250	0.500
61	24060-2149	2.938	3.875	0.375	61	24060-2606	4.125	5.375	0.500
61	24060-2150	2.938	3.875	0.437	61	24060-2638	3.375	5.000	0.468
61	24060-2151	2.938	3.875	0.500	61	24060-2657	4.250	5.250	0.500
61	24060-2168	3.000	3.750	0.375	61	24060-2663	4.250	5.500	0.500
61	24060-2169	3.000	3.750	0.438	61	24060-2715	1.102	1.575	0.394
61	24060-2170	3.000	3.750	0.500	61	24060-2753	4.500	5.500	0.500
61	24060-2173	3.000	3.875	0.500	61	24060-2756	4.500	5.625	0.500
61	24060-2177	3.063	4.125	0.500	61	24060-2759	4.500	5.750	0.500
61	24060-2212	1.260	2.047	0.354	61	24060-2765	4.500	6.000	0.500
61	24060-2218	1.142	1.575	0.250	61	24060-2784	1.260	2.126	0.394
61	24060-2224	1.260	1.772	0.315	61	24060-2797	2.250	2.875	0.438
61	24060-2225	3.125	4.125	0.500	61	24060-2803	1.181	2.047	0.394
61	24060-2231	3.125	4.375	0.500	61	24060-2811	4.921	5.906	0.500
61	24060-2234	3.125	4.500	0.500	61	24060-2814	2.756	3.543	0.472
61	24060-2241	0.984	1.500	0.375	61	24060-2837	4.750	5.750	0.500
61	24060-2266	2.570	3.250	0.375	61	24060-2843	4.750	6.000	0.500
61	24060-2273	3.250	4.375	0.500	61	24060-2915	5.000	6.000	0.500
61	24060-2276	3.250	4.500	0.500	61	24060-2920	2.687	3.375	0.375
61	24060-2280	0.630	1.181	0.315	61	24060-2921	5.000	6.250	0.500
61	24060-2282	3.250	4.750	0.500	61	24060-2927	5.000	6.500	0.500
61	24060-2296	5.625	6.875	0.219	61	24060-2966	2.953	3.937	0.375
61	24060-2297	3.313	4.375	0.500	61	24060-3059	5.250	6.250	0.500
61	24060-2321	3.375	4.375	0.500	61	24060-3065	5.250	6.500	0.500
61	24060-2324	3.375	4.500	0.500	61	24060-3071	5.250	6.750	0.500

All dimensions are in inches. Preferred sizes are indicated with **bold** type face. Sizes listed are for standard nitrile elements, except Models 25 and 62 which have PTFE elements. Other material available on inquiry only.

Oil Seals by Model Number

Garlock

MODEL NO	PART NO	SHAFT	BORE	WIDTH	MODEL NO	PART NO	SHAFT	BORE	WIDTH
61	24060-3077	5.250	7.000	0.500	61	24060-8049	7.480	8.661	0.591
61	24060-3122	5.375	6.375	0.500	61	24060-8373	2.441	3.150	0.394
61	24060-3176	5.500	6.500	0.500	61	24060-8610	1.575	2.441	0.375
61	24060-3182	5.500	6.750	0.500	61	24060-8887	1.250	1.750	0.375
61	24060-3188	5.500	7.000	0.500	61	24060-9223	1.772	2.559	0.394
61	24060-3355	6.000	7.000	0.500	61	24060-9342	1.181	1.850	0.375
61	24060-3596	8.000	9.250	0.625	61	24060-9490	1.000	1.625	0.250
61	24060-3600	8.800	9.500	0.625	61	24060-9505	0.500	1.000	0.250
61	24060-3660	10.000	11.000	0.562	61	24060-9509	0.625	1.250	0.250
61	24060-3853	12.000	14.000	0.625	61	24060-9515	0.875	1.375	0.250
61	24060-3863	0.250	0.750	0.250	61	24060-9612	1.375	2.875	0.375
61	24060-3892	2.000	3.375	0.500	61	24060-9721	11.750	13.750	0.625
61	24060-4557	3.000	4.000	0.500	61	24060-9722	1.500	2.250	0.250
61	24060-4582	2.000	2.625	0.312	61	24060-9822	1.750	2.375	0.312
61	24060-4651	4.000	5.000	0.500	61	24060-9879	4.000	4.625	0.312
61	24060-4798	1.500	2.125	0.375	61	24060-9963	3.543	4.528	0.472
61	24060-4804	3.000	4.250	0.500	61	24061-0049	0.500	1.000	0.312
61	24060-4873	4.500	5.500	0.437	61	24061-0087	0.625	1.125	0.312
61	24060-4892	2.125	2.750	0.375	61	24061-0093	0.625	1.500	0.312
61	24060-5023	3.000	4.000	0.375	61	24061-0139	0.750	1.250	0.312
61	24060-5079	3.750	5.000	0.500	61	24061-0141	0.750	1.375	0.312
61	24060-5239	1.250	1.750	0.250	61	24061-0143	0.750	1.500	0.312
61	24060-5562	1.102	1.850	0.394	61	24061-0292	1.000	1.625	0.375
61	24060-5704	1.250	1.875	0.375	61	24061-0293	1.000	1.750	0.375
61	24060-5872	3.938	4.875	0.500	61	24061-0357	1.125	1.875	0.375
61	24060-6077	0.500	1.125	0.250	61	24061-0383	1.188	1.875	0.375
61	24060-6285	3.500	4.375	0.500	61	24061-0541	1.375	2.125	0.375
61	24060-6363	4.375	5.000	0.375	61	24061-0655	1.500	2.500	0.375
61	24060-6374	7.000	8.000	0.500	61	24061-0760	1.625	2.375	0.375
61	24060-6377	7.250	8.500	0.500	61	24061-0913	1.750	2.750	0.375
61	24060-6378	7.500	8.500	0.500	61	24061-1092	1.625	2.250	0.375
61	24060-6450	6.250	7.250	0.437	61	24061-1205	2.000	3.000	0.437
61	24060-6471	2.750	3.750	0.500	61	24061-1334	2.125	3.125	0.437
61	24060-6656	1.969	2.835	0.375	61	24061-1369	1.500	3.500	0.437
61	24060-6859	0.984	1.850	0.375	61	24061-1412	1.875	2.500	0.312
61	24060-7016	0.500	1.250	0.250	61	24061-1418	1.875	2.500	0.375
61	24060-7086	2.000	2.375	0.250	61	24061-1429	2.000	2.625	0.375
61	24060-7097	3.750	4.375	0.312	61	24061-1475	2.250	3.000	0.437
61	24060-7159	2.813	3.750	0.375	61	24061-1488	4.000	4.750	0.500
61	24060-7246	1.125	2.250	0.375	61	24061-1529	2.375	3.375	0.437
61	24060-7374	3.250	4.250	0.500	61	24061-1542	2.500	3.125	0.500
61	24060-7383	5.512	6.693	0.551	61	24061-1550	2.625	3.250	0.375
61	24060-7386	1.375	2.000	0.375	61	24061-1572	3.250	3.875	0.312
61	24060-7388	7.874	9.055	0.591	61	24061-1642	2.375	3.125	0.375
61	24060-7396	4.331	5.512	0.472	61	24061-1763	1.181	1.654	0.315
61	24060-7415	1.969	3.150	0.375	61	24061-1794	1.496	2.126	0.394
61	24060-7596	2.937	3.937	0.375	61	24061-1814	1.969	2.559	0.394
61	24060-7727	0.188	0.750	0.250	61	24061-2037	2.750	3.500	0.500
61	24060-7807	7.087	8.268	0.591	61	24061-2059	2.880	3.625	0.375
61	24060-7839	3.543	4.724	0.472	61	24061-2119	1.378	1.969	0.276
61	24060-7979	3.937	5.118	0.512	61	24061-2223	1.750	2.812	0.312
61	24060-8020	0.594	1.182	0.312	61	24061-2258	1.969	2.688	0.375

All dimensions are in inches. Preferred sizes are indicated with **bold** type face.

Sizes listed are for standard nitrile elements, except Models 25 and 62 which have PTFE elements. Other material available on inquiry only.

Garlock

Oil Seals by Model Number

MODEL NO	PART NO	SHAFT	BORE	WIDTH	MODEL NO	PART NO	SHAFT	BORE	WIDTH
61	24061-2316	5.625	6.875	0.281	61	24063-2239	2.500	3.000	0.375
61	24061-2422	1.969	2.953	0.315	61	24063-2242	3.937	4.724	0.472
61	24061-2434	1.750	2.812	0.375	61	24063-2281	6.100	6.875	0.625
61	24061-2915	5.000	6.000	0.500	61	24063-2336	3.375	4.999	0.500
61	24061-7055	1.000	1.750	0.250	61	24063-2403	4.188	4.999	0.438
61	24061-7415	1.969	3.150	0.375	61	24063-2462	3.750	4.750	0.500
61	24061-9223	1.772	2.559	0.394	61	24063-2915	5.000	6.000	0.500
61	24062-0050	0.500	1.000	0.375	61	24063-3937	8.500	10.000	0.750
61	24062-0288	1.000	1.500	0.375	61	24063-4557	3.000	4.000	0.500
61	24062-0292	1.000	1.625	0.375	61	24063-5306	1.000	1.500	0.250
61	24062-0357	1.125	1.875	0.375	61	24063-5713	1.500	2.125	0.437
61	24062-0645	1.500	2.250	0.500	61	24063-7374	3.250	4.250	0.500
61	24062-0760	1.625	2.375	0.375	61	24064-0292	1.000	1.625	0.375
61	24062-1058	1.875	2.875	0.437	61	24064-0427	1.250	2.000	0.375
61	24062-1065	1.875	3.000	0.500	61	24064-0882	2.165	2.835	0.315
61	24062-1190	2.000	2.750	0.437	61	24064-1033	3.150	3.937	0.394
61	24062-1191	2.000	2.750	0.500	61	24064-1470	0.866	1.575	0.315
61	24062-1265	0.875	1.625	0.500	61	24064-1502	4.331	5.512	0.512
61	24062-1307	1.125	1.625	0.437	61	24064-1667	4.750	5.500	0.500
61	24062-1345	2.125	3.250	0.375	61	24064-1788	1.387	1.850	0.394
61	24062-1346	2.125	3.250	0.438	61	24064-1799	1.772	2.559	0.315
61	24062-1377	1.750	2.375	0.500	61	24064-1854	3.346	4.331	0.394
61	24062-1419	1.875	2.500	0.500	61	24064-1856	3.543	4.331	0.394
61	24062-1476	2.250	3.000	0.500	61	24064-1880	4.724	5.906	0.512
61	24062-1494	2.250	3.250	0.500	61	24064-1931	1.575	2.165	0.394
61	24062-1502	4.331	5.512	0.512	61	24064-2242	3.937	4.724	0.472
61	24062-1538	2.438	3.375	0.500	61	24064-2366	3.500	4.500	0.500
61	24062-1563	2.312	3.125	0.500	61	24064-2837	4.750	5.750	0.500
61	24062-1664	4.500	5.750	0.437	61	24064-5562	1.102	1.850	0.394
61	24062-2136	1.575	2.283	0.394	61	24064-6374	7.000	8.000	0.500
61	24062-2280	0.630	1.181	0.315	61	24064-6383	8.500	9.500	0.500
61	24062-2318	3.250	3.875	0.375	61	24064-6656	1.969	2.835	0.375
61	24062-2366	3.500	4.500	0.500	61	24064-7386	1.375	2.000	0.375
61	24062-2377	2.953	3.543	0.394	61	24064-7388	7.874	9.055	0.591
61	24062-2915	5.000	6.000	0.500	61	24064-7396	4.331	5.512	0.472
61	24062-2918	5.000	6.125	0.500	61	24064-7807	7.087	8.268	0.591
61	24062-4557	3.000	4.000	0.500	61	24064-8373	2.441	3.150	0.394
61	24062-4651	4.000	5.000	0.500	62	21072-1882	2.562	3.481	0.375
61	24062-4958	2.312	3.250	0.687	62	21702-0025	0.406	0.875	0.312
61	24062-5713	1.500	2.125	0.437	62	21702-0031	0.406	1.250	0.312
61	24062-6363	4.500	5.500	0.375	62	21702-0035	0.438	0.875	0.312
61	24062-8887	1.250	1.750	0.375	62	21702-0037	0.438	1.000	0.312
61	24062-9223	1.772	2.559	0.394	62	21702-0038	0.438	1.000	0.375
61	24063-0645	1.500	2.250	0.500	62	21702-0039	0.438	1.125	0.312
61	24063-0857	1.375	2.000	0.500	62	21702-0047	0.469	1.250	0.312
61	24063-1114	1.938	2.625	0.375	62	21702-0049	0.500	1.000	0.312
61	24063-1191	2.000	2.750	0.500	62	21702-0050	0.500	1.000	0.375
61	24063-1230	2.688	3.625	0.500	62	21702-0051	0.500	1.125	0.312
61	24063-1493	2.250	3.250	0.437	62	21702-0052	0.500	1.125	0.375
61	24063-1856	3.543	4.331	0.394	62	21702-0053	0.500	1.250	0.312
61	24063-2055	1.575	2.165	0.315	62	21702-0055	0.500	1.375	0.312
61	24063-2235	3.750	4.500	0.375	62	21702-0057	0.500	1.500	0.312

All dimensions are in inches. Preferred sizes are indicated with **bold** type face. Sizes listed are for standard nitrile elements, except Models 25 and 62 which have PTFE elements. Other material available on inquiry only.

Oil Seals by Model Number

Garlock

MODEL NO	PART NO	SHAFT	BORE	WIDTH	MODEL NO	PART NO	SHAFT	BORE	WIDTH
62	21702-0062	0.531	1.250	0.375	62	21702-0323	1.062	1.625	0.312
62	21702-0067	0.562	1.125	0.312	62	21702-0325	1.062	1.750	0.375
62	21702-0077	0.594	1.125	0.312	62	21702-0338	1.093	1.625	0.375
62	21702-0080	0.594	1.250	0.375	62	21702-0351	1.125	1.625	0.312
62	21702-0085	0.594	1.575	0.312	62	21702-0353	1.125	1.750	0.375
62	21702-0087	0.625	1.125	0.312	62	21702-0355	1.125	1.828	0.375
62	21702-0089	0.625	1.250	0.312	62	21702-0357	1.125	1.875	0.375
62	21702-0090	0.625	1.250	0.375	62	21702-0359	1.125	2.000	0.375
62	21702-0091	0.625	1.375	0.312	62	21702-0362	1.125	2.062	0.437
62	21702-0096	0.625	1.575	0.375	62	21702-0383	1.187	1.875	0.375
62	21702-0097	0.656	1.125	0.312	62	21702-0385	1.187	1.984	0.375
62	21702-0110	0.687	1.125	0.375	62	21702-0387	1.187	2.000	0.375
62	21702-0111	0.687	1.250	0.312	62	21702-0388	1.187	2.000	0.437
62	21702-0113	0.687	1.375	0.312	62	21702-0390	1.187	2.062	0.437
62	21702-0123	0.719	1.375	0.312	62	21702-0424	1.250	1.984	0.375
62	21702-0133	0.719	1.828	0.375	62	21702-0425	1.250	1.984	0.437
62	21702-0139	0.750	1.250	0.312	62	21702-0427	1.250	2.000	0.375
62	21702-0141	0.750	1.375	0.312	62	21702-0430	1.250	2.062	0.375
62	21702-0142	0.750	1.375	0.375	62	21702-0439	1.250	2.250	0.375
62	21702-0143	0.750	1.500	0.312	62	21702-0441	1.250	2.250	0.500
62	21702-0144	0.750	1.500	0.375	62	21702-0445	1.250	2.437	0.375
62	21702-0147	0.750	1.625	0.312	62	21702-0484	1.312	2.062	0.375
62	21702-0148	0.750	1.625	0.375	62	21702-0490	1.312	2.125	0.375
62	21702-0149	0.750	1.750	0.375	62	21702-0496	1.312	2.375	0.375
62	21702-0157	0.781	1.250	0.312	62	21702-0505	1.312	2.500	0.375
62	21702-0159	0.781	1.375	0.312	62	21702-0507	1.312	2.500	0.500
62	21702-0160	0.781	1.375	0.375	62	21702-0517	1.344	2.250	0.375
62	21702-0175	0.812	1.250	0.312	62	21702-0529	1.344	2.500	0.375
62	21702-0183	0.812	1.625	0.312	62	21702-0535	1.375	2.062	0.375
62	21702-0213	0.875	1.375	0.312	62	21702-0541	1.375	2.125	0.375
62	21702-0215	0.875	1.500	0.312	62	21702-0542	1.375	2.125	0.437
62	21702-0216	0.875	1.500	0.375	62	21702-0543	1.375	2.125	0.500
62	21702-0219	0.875	1.625	0.312	62	21702-0544	1.375	2.250	0.375
62	21702-0224	0.875	1.828	0.437	62	21702-0546	1.375	2.250	0.500
62	21702-0226	0.875	1.875	0.437	62	21702-0548	1.375	2.375	0.437
62	21702-0233	0.906	1.500	0.312	62	21702-0550	1.375	2.437	0.375
62	21702-0235	0.906	1.575	0.312	62	21702-0551	1.375	2.437	0.437
62	21702-0251	0.937	1.500	0.312	62	21702-0552	1.375	2.437	0.500
62	21702-0253	0.937	1.575	0.312	62	21702-0565	1.406	2.125	0.375
62	21702-0255	0.937	1.625	0.312	62	21702-0592	1.437	2.125	0.375
62	21702-0270	0.969	1.500	0.375	62	21702-0595	1.437	2.250	0.375
62	21702-0273	0.969	1.625	0.312	62	21702-0597	1.437	2.250	0.500
62	21702-0283	0.969	2.000	0.375	62	21702-0598	1.437	2.375	0.375
62	21702-0285	0.969	2.062	0.375	62	21702-0600	1.437	2.375	0.500
62	21702-0287	1.000	1.500	0.312	62	21702-0609	1.437	2.500	0.500
62	21702-0288	1.000	1.500	0.375	62	21702-0624	1.469	2.437	0.500
62	21702-0291	1.000	1.625	0.312	62	21702-0643	1.500	2.250	0.375
62	21702-0293	1.000	1.750	0.375	62	21702-0644	1.500	2.250	0.437
62	21702-0297	1.000	1.875	0.375	62	21702-0645	1.500	2.250	0.500
62	21702-0301	1.000	2.000	0.375	62	21702-0646	1.500	2.375	0.375
62	21702-0302	1.000	2.000	0.437	62	21702-0648	1.500	2.375	0.500
62	21702-0307	1.031	1.625	0.312	62	21702-0655	1.500	2.500	0.375

All dimensions are in inches. Preferred sizes are indicated with **bold** type face.

Sizes listed are for standard nitrile elements, except Models 25 and 62 which have PTFE elements. Other material available on inquiry only.

Garlock

Oil Seals by Model Number

MODEL NO	PART NO	SHAFT	BORE	WIDTH	MODEL NO	PART NO	SHAFT	BORE	WIDTH
62	21702-0657	1.500	2.500	0.500	62	21702-1155	1.962	3.188	0.469
62	21702-0664	1.500	2.750	0.375	62	21702-1162	1.969	2.875	0.375
62	21702-0670	1.531	2.250	0.375	62	21702-1168	1.969	3.000	0.375
62	21702-0700	1.562	2.250	0.375	62	21702-1186	2.000	2.686	0.375
62	21702-0703	1.562	2.375	0.375	62	21702-1189	2.000	2.750	0.375
62	21702-0705	1.562	2.375	0.500	62	21702-1191	2.000	2.750	0.500
62	21702-0706	1.562	2.437	0.375	62	21702-1201	2.000	2.997	0.375
62	21702-0707	1.562	2.437	0.437	62	21702-1204	2.000	3.000	0.375
62	21702-0712	1.562	2.500	0.375	62	21702-1206	2.000	3.000	0.500
62	21702-0717	1.562	2.625	0.500	62	21702-1210	2.000	3.125	0.375
62	21702-0730	1.594	2.375	0.375	62	21702-1252	2.062	2.875	0.375
62	21702-0752	5.750	7.125	0.562	62	21702-1321	2.125	2.875	0.375
62	21702-0760	1.625	2.375	0.375	62	21702-1323	2.125	2.875	0.500
62	21702-0762	1.625	2.375	0.500	62	21702-1326	2.125	2.997	0.500
62	21702-0769	1.625	2.500	0.375	62	21702-1327	2.125	3.000	0.375
62	21702-0772	1.625	2.625	0.375	62	21702-1329	2.125	3.000	0.500
62	21702-0774	1.625	2.625	0.500	62	21702-1332	2.125	3.062	0.500
62	21702-0826	1.687	2.375	0.375	62	21702-1333	2.125	3.125	0.375
62	21702-0829	1.687	2.437	0.375	62	21702-1340	2.125	3.189	0.437
62	21702-0835	1.687	2.500	0.375	62	21702-1366	2.156	3.000	0.375
62	21702-0837	1.687	2.500	0.500	62	21702-1399	2.187	2.875	0.375
62	21702-0841	1.687	2.686	0.375	62	21702-1402	2.187	3.000	0.375
62	21702-0843	1.687	2.686	0.500	62	21702-1404	2.188	3.000	0.500
62	21702-0859	1.687	3.000	0.375	62	21702-1408	2.187	3.125	0.375
62	21702-0874	1.719	2.686	0.375	62	21702-1420	2.187	3.250	0.375
62	21702-0898	1.750	2.437	0.375	62	21702-1438	2.219	3.000	0.375
62	21702-0901	1.750	2.497	0.375	62	21702-1471	2.250	2.997	0.375
62	21702-0904	1.750	2.500	0.375	62	21702-1472	2.250	2.997	0.437
62	21702-0906	1.750	2.500	0.500	62	21702-1473	2.250	2.997	0.500
62	21702-0907	1.750	2.625	0.375	62	21702-1474	2.250	3.000	0.375
62	21702-0909	1.750	2.625	0.500	62	21702-1475	2.250	3.000	0.437
62	21702-0913	1.750	2.750	0.375	62	21702-1476	2.250	3.000	0.500
62	21702-0915	1.750	2.750	0.500	62	21702-1483	2.250	3.147	0.375
62	21702-0928	1.750	3.000	0.375	62	21702-1489	2.250	3.246	0.375
62	21702-0931	1.750	3.062	0.375	62	21702-1492	2.250	3.250	0.375
62	21702-0937	1.781	2.500	0.375	62	21702-1494	2.250	3.250	0.500
62	21702-0972	1.812	2.497	0.500	62	21702-1495	2.250	3.350	0.375
62	21702-1042	1.875	2.625	0.375	62	21702-1504	2.250	3.500	0.375
62	21702-1046	1.875	2.686	0.437	62	21702-1505	2.250	3.500	0.437
62	21702-1048	1.875	2.750	0.375	62	21702-1587	2.312	3.500	0.500
62	21702-1050	1.875	2.750	0.500	62	21702-1639	2.375	3.062	0.375
62	21702-1057	1.875	2.875	0.375	62	21702-1642	2.375	3.125	0.375
62	21702-1059	1.875	2.875	0.500	62	21702-1644	2.375	3.125	0.500
62	21702-1063	1.875	3.000	0.375	62	21702-1648	2.075	3.189	0.375
62	21702-1069	1.875	3.125	0.375	62	21702-1654	2.375	3.250	0.375
62	21702-1075	1.875	3.189	0.375	62	21702-1656	2.375	3.250	0.500
62	21702-1114	1.937	2.625	0.375	62	21702-1658	2.375	3.350	0.437
62	21702-1117	1.937	2.686	0.375	62	21702-1659	2.375	3.350	0.500
62	21702-1129	1.937	2.875	0.375	62	21702-1666	2.375	3.500	0.375
62	21702-1135	1.937	3.000	0.375	62	21702-1668	2.375	3.500	0.500
62	21702-1150	1.969	2.686	0.375	62	21702-1673	2.375	3.623	0.437
62	21702-1153	1.969	2.750	0.375	62	21702-1675	2.375	3.751	0.375

All dimensions are in inches. Preferred sizes are indicated with **bold** type face.
 Sizes listed are for standard nitrile elements, except Models 25 and 62 which have PTFE elements. Other material available on inquiry only.

Oil Seals by Model Number

Garlock

MODEL NO	PART NO	SHAFT	BORE	WIDTH	MODEL NO	PART NO	SHAFT	BORE	WIDTH
62	21702-1680	2.375	3.876	0.500	62	21702-2124	2.875	4.003	0.375
62	21702-1711	2.406	3.623	0.375	62	21702-2143	2.937	3.623	0.375
62	21702-1723	2.437	3.125	0.375	62	21702-2146	2.937	3.751	0.375
62	21702-1725	2.437	3.125	0.500	62	21702-2147	2.937	3.751	0.437
62	21702-1735	2.437	3.250	0.375	62	21702-2154	2.937	4.003	0.500
62	21702-1738	2.437	3.350	0.375	62	21702-2168	3.000	3.751	0.375
62	21702-1741	2.437	3.372	0.375	62	21702-2170	3.000	3.751	0.500
62	21702-1747	2.437	3.500	0.375	62	21702-2171	3.000	3.876	0.375
62	21702-1750	2.437	3.543	0.375	62	21702-2172	3.000	3.876	0.438
62	21702-1752	2.437	3.543	0.500	62	21702-2174	3.000	4.003	0.375
62	21702-1764	2.437	4.003	0.500	62	21702-2175	3.000	4.003	0.437
62	21702-1801	2.500	3.189	0.375	62	21702-2176	3.000	4.003	0.500
62	21702-1807	2.500	3.250	0.375	62	21702-2177	3.000	4.125	0.500
62	21702-1813	2.500	3.372	0.375	62	21702-2180	3.000	4.249	0.500
62	21702-1816	2.500	3.481	0.375	62	21702-2183	3.000	4.375	0.500
62	21702-1819	2.500	3.500	0.375	62	21702-2186	3.000	4.500	0.500
62	21702-1821	2.500	3.500	0.500	62	21702-2198	3.000	4.999	0.500
62	21702-1828	2.500	3.751	0.375	62	21702-2201	3.062	4.125	0.500
62	21702-1834	2.500	4.003	0.375	62	21702-2225	3.125	4.125	0.500
62	21702-1892	2.562	3.623	0.437	62	21702-2231	3.125	4.375	0.500
62	21702-1903	2.594	3.350	0.375	62	21702-2237	3.125	4.625	0.500
62	21702-1933	2.625	3.372	0.375	62	21702-2261	3.187	4.750	0.500
62	21702-1937	3.000	3.937	0.500	62	21702-2270	3.250	4.249	0.500
62	21702-1938	3.150	3.937	0.500	62	21702-2273	3.250	4.375	0.500
62	21702-1939	2.625	3.500	0.375	62	21702-2276	3.250	4.500	0.500
62	21702-1945	2.625	3.623	0.375	62	21702-2282	3.250	4.750	0.500
62	21702-1947	2.625	3.623	0.500	62	21702-2297	3.312	4.375	0.500
62	21702-1948	2.625	3.751	0.375	62	21702-2321	3.375	4.375	0.500
62	21702-1987	2.687	3.372	0.375	62	21702-2324	3.375	4.500	0.500
62	21702-1993	2.687	3.500	0.375	62	21702-2327	3.375	4.625	0.500
62	21702-2004	2.687	3.751	0.500	62	21702-2336	3.375	4.999	0.500
62	21702-2008	2.687	4.003	0.375	62	21702-2345	3.437	4.500	0.500
62	21702-2032	2.750	3.481	0.375	62	21702-2348	3.437	4.625	0.500
62	21702-2035	2.750	3.500	0.375	62	21702-2366	3.500	4.500	0.500
62	21702-2038	2.750	3.543	0.375	62	21702-2367	3.500	4.500	0.562
62	21702-2041	2.750	3.623	0.375	62	21702-2369	3.500	4.625	0.500
62	21702-2044	2.750	3.751	0.375	62	21702-2372	3.500	4.750	0.500
62	21702-2045	2.750	3.751	0.437	62	21702-2393	3.562	4.625	0.500
62	21702-2046	2.750	3.751	0.500	62	21702-2396	3.562	4.750	0.500
62	21702-2047	2.750	3.876	0.375	62	21702-2402	3.562	4.999	0.500
62	21702-2048	2.750	3.876	0.437	62	21702-2408	3.562	5.250	0.500
62	21702-2049	2.750	3.876	0.500	62	21702-2417	3.625	4.625	0.500
62	21702-2052	2.750	4.003	0.500	62	21702-2421	3.625	4.750	0.562
62	21702-2077	2.812	3.500	0.375	62	21702-2462	3.750	4.750	0.500
62	21702-2086	2.812	3.751	0.375	62	21702-2474	3.750	5.250	0.500
62	21702-2088	2.812	3.751	0.500	62	21702-2501	3.875	4.875	0.500
62	21702-2098	2.844	3.623	0.375	62	21702-2504	3.875	4.999	0.500
62	21702-2101	2.844	3.751	0.375	62	21702-2519	3.937	4.999	0.500
62	21702-2103	2.844	3.751	0.500	62	21702-2522	3.937	5.125	0.500
62	21702-2115	2.875	3.623	0.375	62	21702-2531	3.937	5.500	0.500
62	21702-2118	2.875	3.751	0.375	62	21702-2537	4.000	4.999	0.500
62	21702-2120	2.875	3.751	0.500	62	21702-2540	4.000	5.125	0.500

All dimensions are in inches. Preferred sizes are indicated with **bold** type face.

Sizes listed are for standard nitrile elements, except Models 25 and 62 which have PTFE elements. Other material available on inquiry only.

Garlock

Oil Seals by Model Number

MODEL NO	PART NO	SHAFT	BORE	WIDTH	MODEL NO	PART NO	SHAFT	BORE	WIDTH
62	21702-2543	4.000	5.250	0.500	62	21702-3279	5.750	6.875	0.562
62	21702-2555	4.000	5.750	0.500	62	21702-3280	5.750	6.875	0.625
62	21702-2600	4.125	5.125	0.500	62	21702-3281	5.750	7.000	0.500
62	21702-2603	4.125	5.250	0.500	62	21702-3282	5.750	7.000	0.562
62	21702-2630	4.187	5.250	0.500	62	21702-3283	5.750	7.000	0.625
62	21702-2636	4.187	5.500	0.500	62	21702-3301	5.812	7.000	0.562
62	21702-2657	4.250	5.250	0.500	62	21702-3335	5.937	7.000	0.500
62	21702-2663	4.250	5.500	0.500	62	21702-3351	5.937	7.625	0.500
62	21702-2681	4.250	6.250	0.500	62	21702-3355	6.000	7.000	0.500
62	21702-2687	4.312	5.500	0.500	62	21702-3363	6.000	7.250	0.625
62	21702-2708	4.375	5.375	0.500	62	21702-3367	6.000	7.500	0.500
62	21702-2711	4.375	5.500	0.500	62	21702-3371	6.000	7.625	0.500
62	21702-2723	4.375	6.000	0.500	62	21702-3375	6.125	7.125	0.500
62	21702-2732	4.437	5.500	0.500	62	21702-3384	6.125	7.500	0.500
62	21702-2737	4.437	5.625	0.625	62	21702-3394	6.250	7.500	0.500
62	21702-2738	4.437	5.750	0.500	62	21702-3405	6.250	7.750	0.750
62	21702-2753	4.500	5.500	0.500	62	21702-3426	6.500	7.500	0.625
62	21702-2759	4.500	5.750	0.500	62	21702-3434	6.500	8.000	0.625
62	21702-2765	4.500	6.000	0.500	62	21702-3440	6.625	7.875	0.625
62	21702-2771	4.500	6.250	0.500	62	21702-3456	6.750	7.750	0.625
62	21702-2774	4.500	6.375	0.500	62	21702-3458	6.750	7.875	0.625
62	21702-2780	4.562	5.750	0.500	62	21702-3474	6.875	7.875	0.625
62	21702-2798	4.625	5.625	0.500	62	21702-3480	6.875	8.250	0.625
62	21702-2801	4.625	5.750	0.500	62	21702-3492	7.000	8.000	0.625
62	21702-2807	4.625	6.000	0.500	62	21702-3518	7.250	8.250	0.625
62	21702-2837	4.750	5.750	0.500	62	21702-3522	7.250	8.500	0.625
62	21702-2849	4.750	6.250	0.500	62	21702-3536	7.375	8.875	0.625
62	21702-2870	4.875	5.875	0.500	62	21702-3544	7.500	8.500	0.625
62	21702-2894	4.937	6.000	0.500	62	21702-3552	7.500	9.000	0.625
62	21702-2915	5.000	6.000	0.500	62	21702-3558	7.625	8.625	0.625
62	21702-2921	5.000	6.250	0.500	62	21702-3578	7.750	9.250	0.625
62	21702-2922	5.000	6.250	0.562	62	21702-3592	8.000	9.000	0.625
62	21702-2927	5.000	6.500	0.500	62	21702-3598	8.000	9.375	0.625
62	21702-2954	5.062	6.125	0.500	62	21702-3600	8.000	9.500	0.625
62	21702-2996	5.125	6.375	0.500	62	21702-3601	8.000	9.500	0.750
62	21702-3003	8.000	10.000	0.625	62	21702-3604	8.250	9.250	0.625
62	21702-3059	5.250	6.250	0.500	62	21702-3608	8.375	9.750	0.750
62	21702-3065	5.250	6.500	0.500	62	21702-3610	8.500	10.500	1.000
62	21702-3067	5.250	6.500	0.625	62	21702-3624	9.000	11.000	1.000
62	21702-3071	5.250	6.750	0.500	62	21702-3648	9.500	11.500	1.000
62	21702-3077	5.250	7.000	0.500	62	21702-3660	10.000	11.000	0.562
62	21702-3095	5.312	6.500	0.500	62	21702-3668	10.000	11.000	0.750
62	21702-3101	5.312	6.750	0.500	62	21702-3672	10.000	11.500	0.750
62	21702-3122	5.375	6.375	0.500	62	21702-3673	10.000	12.000	1.000
62	21702-3129	5.375	6.625	0.563	62	21702-3728	14.500	16.500	0.750
62	21702-3176	5.500	6.500	0.500	62	21702-3741	18.000	19.500	0.750
62	21702-3184	5.500	6.750	0.625	62	21702-3869	0.562	1.000	0.312
62	21702-3188	5.500	7.000	0.500	62	21702-3877	1.187	2.048	0.375
62	21702-3190	5.500	7.000	0.625	62	21702-3900	2.125	2.882	0.375
62	21702-3231	5.625	6.750	0.500	62	21702-3917	6.437	7.500	0.500
62	21702-3277	5.750	6.750	0.625	62	21702-3921	8.000	9.500	0.687
62	21702-3278	5.750	6.875	0.500	62	21702-3927	8.062	10.000	1.000

All dimensions are in inches. Preferred sizes are indicated with **bold** type face.

Sizes listed are for standard nitrile elements, except Models 25 and 62 which have PTFE elements. Other material available on inquiry only.

Oil Seals by Model Number

Garlock

MODEL NO	PART NO	SHAFT	BORE	WIDTH	MODEL NO	PART NO	SHAFT	BORE	WIDTH
62	21702-3932	8.125	10.125	0.750	62	21702-5773	11.500	13.000	0.812
62	21702-3935	8.500	9.500	0.625	62	21702-5991	14.000	15.750	0.687
62	21702-3937	8.500	10.000	0.750	62	21702-6233	0.937	1.375	0.312
62	21702-3938	8.500	10.500	0.812	62	21702-6655	1.375	2.047	0.375
62	21702-3946	8.750	10.250	0.687	62	21702-7225	18.750	20.750	0.875
62	21702-3949	8.750	10.500	0.750	62	21702-7381	12.250	13.750	0.812
62	21702-3951	8.750	10.750	0.750	62	21702-7386	1.375	2.000	0.375
62	21702-3954	9.000	10.500	0.687	62	21702-7596	2.937	3.937	0.375
62	21702-3967	9.250	11.250	0.750	62	21702-8102	0.500	1.378	0.312
62	21702-3984	9.500	11.500	0.812	62	21702-8132	4.835	6.250	0.500
62	21702-4012	10.500	12.000	0.750	62	21702-8168	3.750	4.885	0.500
62	21702-4013	10.500	12.125	0.750	62	21702-8169	6.125	7.625	0.500
62	21702-4016	10.500	12.500	0.750	62	21702-8373	2.437	3.150	0.375
62	21702-4017	10.500	12.500	0.812	62	21702-8876	3.062	4.003	0.375
62	21702-4031	10.750	12.750	0.812	62	21702-9015	3.469	4.500	0.500
62	21702-4062	11.500	13.500	0.750	62	21702-9438	8.875	10.750	0.750
62	21702-4065	11.750	13.250	0.750	62	21702-9488	1.578	2.687	0.375
62	21702-4067	12.000	13.500	0.750	62	21702-9595	15.750	17.250	0.750
62	21702-4068	12.000	13.625	0.750	62	21702-9620	1.750	2.441	0.375
62	21702-4072	12.000	14.000	0.812	62	21702-9808	1.000	1.750	0.312
62	21702-4083	12.500	14.500	0.812	63	21158-0001	0.281	0.750	0.250
62	21702-4099	13.000	15.000	0.812	63	21158-0005	0.313	0.750	0.250
62	21702-4129	13.750	15.750	0.812	63	21158-0006	0.313	0.750	0.312
62	21702-4132	14.000	15.500	0.750	63	21158-0007	0.313	0.875	0.250
62	21702-4145	14.500	16.500	0.812	63	21158-0008	0.313	0.875	0.312
62	21702-4149	14.750	16.500	0.750	63	21158-0009	0.343	0.750	0.250
62	21702-4186	16.500	18.500	0.812	63	21158-0010	0.343	0.750	0.312
62	21702-4190	17.000	19.000	0.812	63	21158-0011	0.343	0.875	0.250
62	21702-4195	17.500	19.000	0.750	63	21158-0013	0.375	0.750	0.250
62	21702-4216	18.500	20.500	0.875	63	21158-0014	0.375	0.750	0.312
62	21702-4219	19.000	21.000	0.875	63	21158-0015	0.375	0.875	0.250
62	21702-4492	7.312	8.375	0.625	63	21158-0016	0.375	0.875	0.312
62	21702-4502	8.500	10.000	0.625	63	21158-0017	0.375	1.000	0.312
62	21702-4503	9.000	10.000	0.625	63	21158-0018	0.375	1.000	0.375
62	21702-4507	9.000	10.500	0.625	63	21158-0019	0.375	1.125	0.312
62	21702-4508	9.000	10.625	0.625	63	21158-0020	0.375	1.125	0.375
62	21702-4513	9.750	10.750	0.625	63	21158-0021	0.375	1.250	0.312
62	21702-4557	3.000	4.000	0.500	63	21158-0023	0.375	1.375	0.312
62	21702-4560	6.500	7.500	0.500	63	21158-0027	0.406	1.000	0.312
62	21702-4615	15.250	16.750	0.687	63	21158-0029	0.406	1.125	0.312
62	21702-4651	4.000	5.000	0.500	63	21158-0031	0.406	1.250	0.312
62	21702-4687	0.984	2.048	0.375	63	21158-0034	0.406	1.375	0.375
62	21702-4798	1.500	2.125	0.375	63	21158-0035	0.438	0.875	0.312
62	21702-4845	2.500	3.937	0.375	63	21158-0036	0.438	0.875	0.375
62	21702-5105	0.669	1.375	0.312	63	21158-0037	0.438	1.000	0.312
62	21702-5246	1.500	2.250	0.312	63	21158-0038	0.438	1.000	0.375
62	21702-5315	1.700	2.437	0.375	63	21158-0039	0.438	1.125	0.312
62	21702-5339	9.843	11.024	0.591	63	21158-0040	0.438	1.125	0.375
62	21702-5357	8.661	9.843	0.591	63	21158-0041	0.438	1.250	0.312
62	21702-5382	14.000	16.250	0.812	63	21158-0042	0.438	1.250	0.375
62	21702-5670	12.000	13.500	0.812	63	21158-0043	0.469	1.000	0.312
62	21702-5713	1.500	2.125	0.437	63	21158-0044	0.469	1.000	0.375

All dimensions are in inches. Preferred sizes are indicated with **bold** type face.

Sizes listed are for standard nitrile elements, except Models 25 and 62 which have PTFE elements. Other material available on inquiry only.

Garlock

Oil Seals by Model Number

MODEL NO	PART NO	SHAFT	BORE	WIDTH	MODEL NO	PART NO	SHAFT	BORE	WIDTH
63	21158-0045	0.469	1.125	0.312	63	21158-0103	0.656	1.500	0.312
63	21158-0046	0.469	1.125	0.375	63	21158-0104	0.656	1.500	0.375
63	21158-0047	0.469	1.250	0.312	63	21158-0105	0.656	1.575	0.312
63	21158-0049	0.500	1.000	0.312	63	21158-0106	0.656	1.575	0.375
63	21158-0050	0.500	1.000	0.375	63	21158-0107	0.656	1.625	0.312
63	21158-0051	0.500	1.125	0.312	63	21158-0108	0.656	1.625	0.375
63	21158-0052	0.500	1.125	0.375	63	21158-0109	0.687	1.125	0.312
63	21158-0053	0.500	1.250	0.312	63	21158-0110	0.687	1.125	0.375
63	21158-0054	0.500	1.250	0.375	63	21158-0111	0.687	1.250	0.312
63	21158-0055	0.500	1.375	0.312	63	21158-0112	0.687	1.250	0.375
63	21158-0056	0.500	1.375	0.375	63	21158-0113	0.687	1.375	0.312
63	21158-0057	0.500	1.500	0.312	63	21158-0114	0.687	1.375	0.375
63	21158-0058	0.500	1.500	0.375	63	21158-0115	0.687	1.500	0.312
63	21158-0059	0.531	1.125	0.312	63	21158-0116	0.687	1.500	0.375
63	21158-0060	0.531	1.125	0.375	63	21158-0121	0.719	1.250	0.312
63	21158-0061	0.531	1.250	0.312	63	21158-0123	0.719	1.375	0.312
63	21158-0062	0.531	1.250	0.375	63	21158-0124	0.719	1.375	0.375
63	21158-0063	0.531	1.375	0.312	63	21158-0125	0.719	1.500	0.312
63	21158-0065	0.531	1.500	0.312	63	21158-0126	0.719	1.500	0.375
63	21158-0067	0.562	1.125	0.312	63	21158-0127	0.719	1.575	0.312
63	21158-0068	0.562	1.125	0.375	63	21158-0129	0.719	1.625	0.312
63	21158-0069	0.562	1.250	0.312	63	21158-0131	0.719	1.750	0.375
63	21158-0070	0.562	1.250	0.375	63	21158-0133	0.719	1.828	0.375
63	21158-0071	0.562	1.375	0.312	63	21158-0135	0.719	1.875	0.375
63	21158-0072	0.562	1.375	0.375	63	21158-0137	0.719	1.984	0.375
63	21158-0073	0.562	1.500	0.312	63	21158-0139	0.750	1.250	0.312
63	21158-0075	0.562	1.575	0.312	63	21158-0140	0.750	1.250	0.375
63	21158-0077	0.594	1.125	0.312	63	21158-0141	0.750	1.375	0.312
63	21158-0078	0.594	1.125	0.375	63	21158-0142	0.750	1.375	0.375
63	21158-0079	0.594	1.250	0.312	63	21158-0143	0.750	1.500	0.312
63	21158-0080	0.594	1.250	0.375	63	21158-0144	0.750	1.500	0.375
63	21158-0081	0.594	1.375	0.312	63	21158-0145	0.750	1.575	0.312
63	21158-0082	0.594	1.375	0.375	63	21158-0146	0.750	1.575	0.375
63	21158-0083	0.594	1.500	0.312	63	21158-0147	0.750	1.625	0.312
63	21158-0084	0.594	1.500	0.375	63	21158-0148	0.750	1.625	0.375
63	21158-0085	0.594	1.575	0.312	63	21158-0149	0.750	1.750	0.375
63	21158-0087	0.625	1.125	0.312	63	21158-0150	0.750	1.750	0.437
63	21158-0088	0.625	1.125	0.375	63	21158-0151	0.750	1.828	0.375
63	21158-0089	0.625	1.250	0.312	63	21158-0152	0.750	1.828	0.437
63	21158-0090	0.625	1.250	0.375	63	21158-0153	0.750	1.875	0.375
63	21158-0091	0.625	1.375	0.312	63	21158-0155	0.750	1.984	0.375
63	21158-0092	0.625	1.375	0.375	63	21158-0156	0.750	1.984	0.437
63	21158-0093	0.625	1.500	0.312	63	21158-0157	0.781	1.250	0.312
63	21158-0094	0.625	1.500	0.375	63	21158-0158	0.781	1.250	0.375
63	21158-0095	0.625	1.575	0.312	63	21158-0159	0.781	1.375	0.312
63	21158-0096	0.625	1.575	0.375	63	21158-0160	0.781	1.375	0.375
63	21158-0097	0.656	1.125	0.312	63	21158-0161	0.781	1.500	0.312
63	21158-0098	0.656	1.125	0.375	63	21158-0162	0.781	1.500	0.375
63	21158-0099	0.656	1.250	0.312	63	21158-0163	0.781	1.575	0.312
63	21158-0100	0.656	1.250	0.375	63	21158-0165	0.781	1.625	0.312
63	21158-0101	0.656	1.375	0.312	63	21158-0166	0.781	1.625	0.375
63	21158-0102	0.656	1.375	0.375	63	21158-0167	0.781	1.750	0.375

All dimensions are in inches. Preferred sizes are indicated with **bold** type face. Sizes listed are for standard nitrile elements, except Models 25 and 62 which have PTFE elements. Other material available on inquiry only.

Oil Seals by Model Number

Garlock

MODEL NO	PART NO	SHAFT	BORE	WIDTH	MODEL NO	PART NO	SHAFT	BORE	WIDTH
63	21158-0169	0.781	1.828	0.375	63	21158-0243	0.906	1.875	0.375
63	21158-0170	0.781	1.828	0.437	63	21158-0245	0.906	1.984	0.375
63	21158-0171	0.781	1.875	0.375	63	21158-0247	0.906	2.000	0.375
63	21158-0172	0.781	1.875	0.437	63	21158-0251	0.937	1.500	0.312
63	21158-0173	0.781	1.984	0.375	63	21158-0252	0.937	1.500	0.375
63	21158-0175	0.812	1.250	0.312	63	21158-0253	0.937	1.575	0.312
63	21158-0176	0.812	1.250	0.375	63	21158-0255	0.937	1.625	0.312
63	21158-0177	0.812	1.375	0.312	63	21158-0256	0.937	1.625	0.375
63	21158-0178	0.812	1.375	0.375	63	21158-0257	0.937	1.750	0.375
63	21158-0179	0.812	1.500	0.312	63	21158-0258	0.937	1.750	0.437
63	21158-0180	0.812	1.500	0.375	63	21158-0259	0.937	1.828	0.375
63	21158-0181	0.812	1.575	0.312	63	21158-0260	0.937	1.828	0.437
63	21158-0182	0.812	1.575	0.375	63	21158-0261	0.937	1.875	0.375
63	21158-0183	0.812	1.625	0.312	63	21158-0263	0.937	1.984	0.375
63	21158-0185	0.812	1.750	0.375	63	21158-0264	0.937	1.625	0.437
63	21158-0186	0.812	1.750	0.437	63	21158-0265	0.937	2.000	0.375
63	21158-0187	0.812	1.828	0.375	63	21158-0266	0.937	2.000	0.437
63	21158-0189	0.812	1.875	0.375	63	21158-0267	0.937	2.062	0.375
63	21158-0191	0.812	1.984	0.375	63	21158-0268	0.937	2.062	0.437
63	21158-0192	0.812	1.984	0.437	63	21158-0269	0.969	1.500	0.312
63	21158-0193	0.844	1.375	0.312	63	21158-0270	0.969	1.500	0.375
63	21158-0195	0.844	1.500	0.312	63	21158-0271	0.969	1.575	0.312
63	21158-0197	0.844	1.575	0.312	63	21158-0273	0.969	1.625	0.312
63	21158-0199	0.844	1.625	0.312	63	21158-0274	0.969	1.625	0.375
63	21158-0201	0.844	1.750	0.375	63	21158-0275	0.969	1.750	0.375
63	21158-0204	0.844	1.828	0.437	63	21158-0276	0.969	1.750	0.437
63	21158-0207	0.844	1.984	0.375	63	21158-0277	0.969	1.828	0.375
63	21158-0211	0.844	2.062	0.375	63	21158-0278	0.969	1.828	0.437
63	21158-0213	0.875	1.375	0.312	63	21158-0279	0.969	1.875	0.375
63	21158-0214	0.875	1.375	0.375	63	21158-0281	0.969	1.984	0.375
63	21158-0215	0.875	1.500	0.312	63	21158-0282	0.969	1.686	0.312
63	21158-0216	0.875	1.500	0.375	63	21158-0283	0.969	2.000	0.375
63	21158-0217	0.875	1.575	0.312	63	21158-0285	0.969	2.062	0.375
63	21158-0218	0.875	1.575	0.375	63	21158-0286	0.969	2.062	0.437
63	21158-0219	0.875	1.625	0.312	63	21158-0287	1.000	1.500	0.312
63	21158-0220	0.875	1.625	0.375	63	21158-0288	1.000	1.500	0.375
63	21158-0221	0.875	1.750	0.375	63	21158-0289	1.000	1.575	0.312
63	21158-0222	0.875	1.750	0.437	63	21158-0290	1.000	1.575	0.375
63	21158-0223	0.875	1.828	0.375	63	21158-0291	1.000	1.625	0.312
63	21158-0224	0.875	1.828	0.437	63	21158-0292	1.000	1.625	0.375
63	21158-0225	0.875	1.875	0.375	63	21158-0293	1.000	1.750	0.375
63	21158-0226	0.875	1.875	0.437	63	21158-0294	1.000	1.750	0.437
63	21158-0227	0.875	1.984	0.375	63	21158-0295	1.000	1.828	0.375
63	21158-0228	0.875	1.984	0.437	63	21158-0296	1.000	1.828	0.437
63	21158-0229	0.875	2.000	0.375	63	21158-0297	1.000	1.875	0.375
63	21158-0231	0.875	2.062	0.375	63	21158-0298	1.000	1.875	0.437
63	21158-0233	0.906	1.500	0.312	63	21158-0299	1.000	1.984	0.375
63	21158-0234	0.906	1.500	0.375	63	21158-0300	1.000	1.984	0.437
63	21158-0235	0.906	1.575	0.312	63	21158-0301	1.000	2.000	0.375
63	21158-0236	0.906	1.575	0.375	63	21158-0302	1.000	2.000	0.437
63	21158-0237	0.906	1.625	0.312	63	21158-0303	1.000	2.062	0.375
63	21158-0239	0.906	1.750	0.375	63	21158-0304	1.000	2.062	0.437

All dimensions are in inches. Preferred sizes are indicated with **bold** type face.

Sizes listed are for standard nitrile elements, except Models 25 and 62 which have PTFE elements. Other material available on inquiry only.

Garlock

Oil Seals by Model Number

MODEL NO	PART NO	SHAFT	BORE	WIDTH	MODEL NO	PART NO	SHAFT	BORE	WIDTH
63	21158-0305	1.031	1.575	0.312	63	21158-0374	1.156	2.125	0.375
63	21158-0306	1.031	1.575	0.375	63	21158-0377	1.156	2.250	0.375
63	21158-0307	1.031	1.625	0.312	63	21158-0380	1.156	2.375	0.375
63	21158-0308	1.031	1.625	0.375	63	21158-0383	1.187	1.875	0.375
63	21158-0309	1.031	1.750	0.375	63	21158-0384	1.187	1.875	0.437
63	21158-0310	1.000	1.686	0.312	63	21158-0385	1.187	1.984	0.375
63	21158-0311	1.062	1.686	0.312	63	21158-0386	1.187	1.984	0.437
63	21158-0313	1.031	1.875	0.375	63	21158-0387	1.187	2.000	0.375
63	21158-0314	1.062	1.499	0.312	63	21158-0388	1.187	2.000	0.437
63	21158-0315	1.031	1.984	0.375	63	21158-0389	1.187	2.062	0.375
63	21158-0317	1.031	2.000	0.375	63	21158-0390	1.187	2.062	0.437
63	21158-0319	1.031	2.062	0.375	63	21158-0394	1.187	2.125	0.375
63	21158-0321	1.062	1.575	0.312	63	21158-0395	1.187	2.125	0.437
63	21158-0322	1.062	1.575	0.375	63	21158-0397	1.187	2.250	0.375
63	21158-0323	1.062	1.625	0.312	63	21158-0398	1.187	2.250	0.437
63	21158-0324	1.062	1.625	0.375	63	21158-0399	1.187	2.250	0.500
63	21158-0325	1.062	1.750	0.375	63	21158-0400	1.187	2.375	0.375
63	21158-0326	1.062	1.750	0.437	63	21158-0401	1.187	2.375	0.437
63	21158-0327	1.062	1.828	0.375	63	21158-0402	1.187	2.375	0.500
63	21158-0328	1.062	1.828	0.437	63	21158-0403	1.219	1.984	0.375
63	21158-0329	1.062	1.875	0.375	63	21158-0405	1.219	2.000	0.375
63	21158-0330	1.062	1.875	0.437	63	21158-0413	1.219	2.125	0.437
63	21158-0331	1.062	1.984	0.375	63	21158-0415	1.219	2.250	0.375
63	21158-0333	1.062	2.000	0.375	63	21158-0421	1.219	2.437	0.375
63	21158-0334	1.062	2.000	0.437	63	21158-0424	1.250	1.984	0.375
63	21158-0335	1.062	2.062	0.375	63	21158-0425	1.250	1.984	0.437
63	21158-0336	1.062	2.062	0.437	63	21158-0426	1.250	1.984	0.500
63	21158-0337	1.093	1.625	0.312	63	21158-0427	1.250	2.000	0.375
63	21158-0339	1.093	1.750	0.375	63	21158-0428	1.250	2.000	0.437
63	21158-0341	1.093	1.828	0.375	63	21158-0430	1.250	2.062	0.375
63	21158-0344	1.093	1.875	0.437	63	21158-0431	1.250	2.062	0.437
63	21158-0346	1.093	1.984	0.437	63	21158-0433	1.250	2.106	0.375
63	21158-0347	1.093	2.000	0.375	63	21158-0436	1.250	2.125	0.375
63	21158-0349	1.093	2.062	0.375	63	21158-0437	1.250	2.125	0.437
63	21158-0351	1.125	1.625	0.312	63	21158-0438	1.250	2.125	0.500
63	21158-0352	1.125	1.625	0.375	63	21158-0439	1.250	2.250	0.375
63	21158-0353	1.125	1.750	0.375	63	21158-0440	1.250	2.250	0.437
63	21158-0354	1.125	1.750	0.437	63	21158-0441	1.250	2.250	0.500
63	21158-0355	1.125	1.828	0.375	63	21158-0442	1.250	2.375	0.375
63	21158-0356	1.125	1.828	0.437	63	21158-0443	1.250	2.375	0.437
63	21158-0357	1.125	1.875	0.375	63	21158-0444	1.250	2.375	0.500
63	21158-0358	1.125	1.875	0.437	63	21158-0445	1.250	2.437	0.375
63	21158-0359	1.125	2.000	0.375	63	21158-0446	1.250	2.437	0.437
63	21158-0360	1.125	2.000	0.437	63	21158-0447	1.250	2.437	0.500
63	21158-0361	1.125	2.062	0.375	63	21158-0448	1.281	1.984	0.375
63	21158-0362	1.125	2.062	0.437	63	21158-0451	1.281	2.000	0.375
63	21158-0363	1.156	1.875	0.375	63	21158-0454	1.281	2.062	0.375
63	21158-0365	1.156	1.984	0.375	63	21158-0457	1.281	2.106	0.375
63	21158-0367	1.156	2.000	0.375	63	21158-0462	1.281	2.125	0.500
63	21158-0369	1.156	2.062	0.375	63	21158-0463	1.281	2.250	0.375
63	21158-0370	1.156	2.062	0.437	63	21158-0465	1.281	2.250	0.500
63	21158-0372	1.156	2.106	0.437	63	21158-0471	1.281	2.437	0.500

All dimensions are in inches. Preferred sizes are indicated with **bold** type face. Sizes listed are for standard nitrile elements, except Models 25 and 62 which have PTFE elements. Other material available on inquiry only.

Oil Seals by Model Number

Garlock

MODEL NO	PART NO	SHAFT	BORE	WIDTH	MODEL NO	PART NO	SHAFT	BORE	WIDTH
63	21158-0474	1.281	2.497	0.500	63	21158-0556	1.375	2.500	0.375
63	21158-0475	1.281	2.500	0.375	63	21158-0557	1.375	2.500	0.437
63	21158-0478	1.312	1.984	0.375	63	21158-0559	1.375	2.625	0.375
63	21158-0481	1.312	2.000	0.375	63	21158-0560	1.375	2.625	0.437
63	21158-0482	1.312	2.000	0.437	63	21158-0561	1.375	2.625	0.500
63	21158-0484	1.312	2.062	0.375	63	21158-0562	1.375	2.561	0.375
63	21158-0485	1.312	2.062	0.437	63	21158-0565	1.406	2.125	0.375
63	21158-0487	1.312	2.106	0.375	63	21158-0566	1.406	2.125	0.437
63	21158-0490	1.312	2.125	0.375	63	21158-0568	1.406	2.250	0.375
63	21158-0491	1.312	2.125	0.437	63	21158-0571	1.406	2.375	0.375
63	21158-0492	1.312	2.125	0.500	63	21158-0580	1.406	2.500	0.375
63	21158-0493	1.312	2.250	0.375	63	21158-0583	1.406	2.625	0.375
63	21158-0494	1.312	2.250	0.437	63	21158-0592	1.437	2.125	0.375
63	21158-0495	1.312	2.250	0.500	63	21158-0593	1.437	2.125	0.437
63	21158-0496	1.312	2.375	0.375	63	21158-0594	1.437	2.125	0.500
63	21158-0497	1.312	2.375	0.437	63	21158-0595	1.437	2.250	0.375
63	21158-0498	1.312	2.375	0.500	63	21158-0596	1.437	2.250	0.437
63	21158-0499	1.312	2.437	0.375	63	21158-0597	1.437	2.250	0.500
63	21158-0505	1.312	2.500	0.375	63	21158-0598	1.437	2.375	0.375
63	21158-0507	1.312	2.500	0.500	63	21158-0599	1.437	2.375	0.437
63	21158-0508	1.344	2.062	0.375	63	21158-0600	1.437	2.375	0.500
63	21158-0511	1.344	2.106	0.375	63	21158-0601	1.437	2.437	0.375
63	21158-0514	1.344	2.125	0.375	63	21158-0602	1.437	2.437	0.437
63	21158-0515	1.344	2.125	0.437	63	21158-0603	1.437	2.437	0.500
63	21158-0517	1.344	2.250	0.375	63	21158-0604	1.437	2.497	0.375
63	21158-0520	1.344	2.375	0.375	63	21158-0605	1.437	2.497	0.437
63	21158-0523	1.344	2.437	0.375	63	21158-0607	1.437	2.500	0.375
63	21158-0525	1.344	2.437	0.500	63	21158-0608	1.437	2.500	0.437
63	21158-0526	1.344	2.497	0.375	63	21158-0609	1.437	2.500	0.500
63	21158-0529	1.344	2.500	0.375	63	21158-0610	1.437	2.625	0.375
63	21158-0532	1.344	2.625	0.375	63	21158-0612	1.437	2.625	0.500
63	21158-0535	1.375	2.062	0.375	63	21158-0613	1.437	2.686	0.375
63	21158-0536	1.375	2.062	0.437	63	21158-0615	1.437	2.686	0.500
63	21158-0537	1.375	2.062	0.500	63	21158-0616	1.469	2.250	0.375
63	21158-0538	1.375	2.106	0.375	63	21158-0619	1.469	2.375	0.375
63	21158-0539	1.375	2.106	0.437	63	21158-0621	1.469	2.375	0.500
63	21158-0540	1.375	2.106	0.500	63	21158-0622	1.469	2.437	0.375
63	21158-0541	1.375	2.125	0.375	63	21158-0624	1.469	2.437	0.500
63	21158-0542	1.375	2.125	0.437	63	21158-0628	1.469	2.500	0.375
63	21158-0543	1.375	2.125	0.500	63	21158-0634	1.469	2.686	0.375
63	21158-0544	1.375	2.250	0.375	63	21158-0638	1.469	2.750	0.437
63	21158-0545	1.375	2.250	0.437	63	21158-0640	1.469	2.756	0.375
63	21158-0546	1.375	2.250	0.500	63	21158-0643	1.500	2.250	0.375
63	21158-0547	1.375	2.375	0.375	63	21158-0644	1.500	2.250	0.437
63	21158-0548	1.375	2.375	0.437	63	21158-0645	1.500	2.250	0.500
63	21158-0549	1.375	2.375	0.500	63	21158-0646	1.500	2.375	0.375
63	21158-0550	1.375	2.437	0.375	63	21158-0647	1.500	2.375	0.437
63	21158-0551	1.375	2.437	0.437	63	21158-0648	1.500	2.375	0.500
63	21158-0552	1.375	2.437	0.500	63	21158-0649	1.500	2.437	0.375
63	21158-0553	1.375	2.497	0.375	63	21158-0650	1.500	2.437	0.437
63	21158-0554	1.375	2.497	0.437	63	21158-0651	1.500	2.437	0.500
63	21158-0555	1.375	2.497	0.500	63	21158-0652	1.500	2.497	0.375

All dimensions are in inches. Preferred sizes are indicated with **bold** type face.

Sizes listed are for standard nitrile elements, except Models 25 and 62 which have PTFE elements. Other material available on inquiry only.

Garlock

Oil Seals by Model Number

MODEL NO	PART NO	SHAFT	BORE	WIDTH	MODEL NO	PART NO	SHAFT	BORE	WIDTH
63	21158-0654	1.500	2.497	0.500	63	21158-0757	1.594	2.875	0.375
63	21158-0655	1.500	2.500	0.375	63	21158-0760	1.625	2.375	0.375
63	21158-0656	1.500	2.500	0.437	63	21158-0761	1.625	2.375	0.437
63	21158-0657	1.500	2.500	0.500	63	21158-0762	1.625	2.375	0.500
63	21158-0658	1.500	2.625	0.375	63	21158-0763	1.625	2.437	0.375
63	21158-0659	1.500	2.625	0.437	63	21158-0764	1.625	2.437	0.437
63	21158-0660	1.500	2.625	0.500	63	21158-0765	1.625	2.437	0.500
63	21158-0661	1.500	2.686	0.375	63	21158-0766	1.625	2.497	0.375
63	21158-0664	1.500	2.750	0.375	63	21158-0767	1.625	2.497	0.437
63	21158-0665	1.500	2.750	0.437	63	21158-0768	1.625	2.497	0.500
63	21158-0666	1.500	2.750	0.500	63	21158-0769	1.625	2.500	0.375
63	21158-0667	1.500	2.756	0.375	63	21158-0771	1.625	2.500	0.500
63	21158-0668	1.500	2.756	0.437	63	21158-0772	1.625	2.625	0.375
63	21158-0669	1.500	2.756	0.500	63	21158-0773	1.625	2.625	0.437
63	21158-0670	1.531	2.250	0.375	63	21158-0774	1.625	2.625	0.500
63	21158-0673	1.531	2.375	0.375	63	21158-0775	1.625	2.686	0.375
63	21158-0679	1.531	2.497	0.375	63	21158-0777	1.625	2.686	0.500
63	21158-0682	1.531	2.500	0.375	63	21158-0778	1.625	2.750	0.375
63	21158-0685	1.531	2.625	0.375	63	21158-0780	1.625	2.750	0.500
63	21158-0693	1.531	2.750	0.500	63	21158-0781	1.625	2.756	0.375
63	21158-0694	1.531	2.756	0.375	63	21158-0782	1.625	2.756	0.437
63	21158-0700	1.562	2.250	0.375	63	21158-0784	1.625	2.783	0.375
63	21158-0701	1.562	2.250	0.437	63	21158-0787	1.625	2.875	0.375
63	21158-0702	1.562	2.250	0.500	63	21158-0788	1.625	2.875	0.437
63	21158-0703	1.562	2.375	0.375	63	21158-0789	1.625	2.875	0.500
63	21158-0704	1.562	2.375	0.437	63	21158-0790	1.656	2.375	0.375
63	21158-0706	1.562	2.437	0.375	63	21158-0799	1.656	2.500	0.375
63	21158-0707	1.562	2.437	0.437	63	21158-0804	1.656	2.625	0.500
63	21158-0708	1.562	2.437	0.500	63	21158-0805	1.656	2.686	0.375
63	21158-0709	1.562	2.497	0.375	63	21158-0807	1.656	2.686	0.500
63	21158-0712	1.562	2.500	0.375	63	21158-0808	1.656	2.750	0.375
63	21158-0713	1.562	2.500	0.437	63	21158-0810	1.656	2.750	0.500
63	21158-0714	1.562	2.500	0.500	63	21158-0817	1.656	2.875	0.375
63	21158-0715	1.562	2.625	0.375	63	21158-0820	1.656	2.997	0.375
63	21158-0717	1.562	2.625	0.500	63	21158-0826	1.687	2.375	0.375
63	21158-0718	1.562	2.686	0.375	63	21158-0827	1.687	2.375	0.437
63	21158-0721	1.562	2.750	0.375	63	21158-0828	1.687	2.375	0.500
63	21158-0722	1.562	2.750	0.437	63	21158-0829	1.687	2.437	0.375
63	21158-0723	1.562	2.750	0.500	63	21158-0830	1.687	2.437	0.437
63	21158-0724	1.562	2.756	0.375	63	21158-0832	1.687	2.497	0.375
63	21158-0725	1.562	2.756	0.437	63	21158-0835	1.687	2.500	0.375
63	21158-0727	1.562	2.783	0.375	63	21158-0836	1.687	2.500	0.437
63	21158-0728	1.562	2.783	0.437	63	21158-0837	1.687	2.500	0.500
63	21158-0730	1.594	2.375	0.375	63	21158-0838	1.687	2.625	0.375
63	21158-0734	1.594	2.437	0.437	63	21158-0840	1.687	2.625	0.500
63	21158-0739	1.594	2.500	0.375	63	21158-0841	1.687	2.686	0.375
63	21158-0742	1.594	2.625	0.375	63	21158-0842	1.687	2.686	0.437
63	21158-0744	1.594	2.625	0.500	63	21158-0843	1.687	2.686	0.500
63	21158-0747	1.594	2.686	0.500	63	21158-0844	1.687	2.750	0.375
63	21158-0748	1.594	2.750	0.375	63	21158-0845	1.687	2.750	0.437
63	21158-0750	1.594	2.750	0.500	63	21158-0846	1.687	2.750	0.500
63	21158-0751	1.594	2.756	0.375	63	21158-0847	1.687	2.756	0.375

All dimensions are in inches. Preferred sizes are indicated with **bold** type face. Sizes listed are for standard nitrile elements, except Models 25 and 62 which have PTFE elements. Other material available on inquiry only.

Oil Seals by Model Number

Garlock

MODEL NO	PART NO	SHAFT	BORE	WIDTH	MODEL NO	PART NO	SHAFT	BORE	WIDTH
63	21158-0848	1.687	2.756	0.437	63	21158-0933	1.750	3.062	0.500
63	21158-0849	1.687	2.756	0.500	63	21158-0934	1.781	2.497	0.375
63	21158-0853	1.687	2.875	0.375	63	21158-0937	1.781	2.500	0.375
63	21158-0854	1.687	2.875	0.437	63	21158-0940	1.781	2.625	0.375
63	21158-0855	1.687	2.875	0.500	63	21158-0945	1.781	2.686	0.500
63	21158-0859	1.687	3.000	0.375	63	21158-0946	1.781	2.750	0.375
63	21158-0861	1.687	3.000	0.500	63	21158-0951	1.781	2.756	0.500
63	21158-0862	1.719	2.437	0.375	63	21158-0955	1.781	2.875	0.375
63	21158-0865	1.719	2.497	0.375	63	21158-0964	1.781	3.062	0.375
63	21158-0867	1.719	2.497	0.500	63	21158-0967	1.781	3.125	0.375
63	21158-0868	1.719	2.500	0.375	63	21158-0969	1.781	3.125	0.500
63	21158-0870	1.719	2.500	0.500	63	21158-0970	1.812	2.497	0.375
63	21158-0871	1.719	2.625	0.375	63	21158-0972	1.812	2.497	0.500
63	21158-0874	1.719	2.686	0.375	63	21158-0973	1.812	2.500	0.375
63	21158-0877	1.719	2.750	0.375	63	21158-0974	1.812	2.500	0.437
63	21158-0878	1.719	2.750	0.437	63	21158-0975	1.812	2.500	0.500
63	21158-0883	1.719	2.783	0.375	63	21158-0976	1.812	2.625	0.375
63	21158-0886	1.719	2.875	0.375	63	21158-0978	1.812	2.625	0.500
63	21158-0887	1.719	2.875	0.437	63	21158-0979	1.812	2.686	0.375
63	21158-0888	1.719	2.875	0.500	63	21158-0982	1.812	2.750	0.375
63	21158-0892	1.719	3.000	0.375	63	21158-0984	1.812	2.750	0.500
63	21158-0894	1.719	3.000	0.500	63	21158-0987	1.812	2.756	0.500
63	21158-0898	1.750	2.437	0.375	63	21158-0988	1.812	2.783	0.375
63	21158-0899	1.750	2.437	0.437	63	21158-0991	1.812	2.875	0.375
63	21158-0900	1.750	2.437	0.500	63	21158-0997	1.812	3.000	0.375
63	21158-0901	1.750	2.497	0.375	63	21158-1003	1.812	3.125	0.375
63	21158-0902	1.750	2.497	0.437	63	21158-1005	1.812	3.125	0.500
63	21158-0903	1.750	2.497	0.500	63	21158-1006	1.844	2.625	0.375
63	21158-0904	1.750	2.500	0.375	63	21158-1009	1.844	2.686	0.375
63	21158-0905	1.750	2.500	0.437	63	21158-1012	1.844	2.750	0.375
63	21158-0906	1.750	2.500	0.500	63	21158-1015	1.844	2.756	0.375
63	21158-0907	1.750	2.625	0.375	63	21158-1021	1.844	2.875	0.375
63	21158-0908	1.750	2.625	0.437	63	21158-1023	1.844	2.875	0.500
63	21158-0909	1.750	2.625	0.500	63	21158-1042	1.875	2.625	0.375
63	21158-0910	1.750	2.686	0.375	63	21158-1043	1.875	2.625	0.437
63	21158-0911	1.750	2.686	0.437	63	21158-1044	1.875	2.625	0.500
63	21158-0912	1.750	2.686	0.500	63	21158-1045	1.875	2.686	0.375
63	21158-0913	1.750	2.750	0.375	63	21158-1047	1.875	2.686	0.500
63	21158-0914	1.750	2.750	0.437	63	21158-1048	1.875	2.750	0.375
63	21158-0915	1.750	2.750	0.500	63	21158-1050	1.875	2.750	0.500
63	21158-0916	1.750	2.756	0.375	63	21158-1051	1.875	2.756	0.375
63	21158-0918	1.750	2.756	0.500	63	21158-1052	1.875	2.756	0.437
63	21158-0919	1.750	2.783	0.375	63	21158-1053	1.875	2.756	0.500
63	21158-0921	1.750	2.783	0.500	63	21158-1054	1.875	2.783	0.375
63	21158-0922	1.750	2.875	0.375	63	21158-1057	1.875	2.875	0.375
63	21158-0923	1.750	2.875	0.437	63	21158-1058	1.875	2.875	0.437
63	21158-0924	1.750	2.875	0.500	63	21158-1059	1.875	2.875	0.500
63	21158-0925	1.750	2.997	0.375	63	21158-1060	1.875	2.997	0.375
63	21158-0927	1.750	2.997	0.500	63	21158-1062	1.875	2.997	0.500
63	21158-0928	1.750	3.000	0.375	63	21158-1063	1.875	3.000	0.375
63	21158-0930	1.750	3.000	0.500	63	21158-1065	1.875	3.000	0.500
63	21158-0931	1.750	3.062	0.375	63	21158-1066	1.875	3.062	0.375

All dimensions are in inches. Preferred sizes are indicated with **bold** type face.

Sizes listed are for standard nitrile elements, except Models 25 and 62 which have PTFE elements. Other material available on inquiry only.

Garlock

Oil Seals by Model Number

MODEL NO	PART NO	SHAFT	BORE	WIDTH	MODEL NO	PART NO	SHAFT	BORE	WIDTH
63	21158-1069	1.875	3.125	0.375	63	21158-1188	2.000	2.686	0.500
63	21158-1071	1.875	3.125	0.500	63	21158-1189	2.000	2.750	0.375
63	21158-1075	1.875	3.189	0.375	63	21158-1190	2.000	2.750	0.437
63	21158-1076	1.875	3.189	0.437	63	21158-1191	2.000	2.750	0.500
63	21158-1078	1.906	2.625	0.375	63	21158-1192	2.000	2.756	0.375
63	21158-1084	1.906	2.750	0.375	63	21158-1193	2.000	2.756	0.437
63	21158-1093	1.906	2.875	0.375	63	21158-1194	2.000	2.756	0.500
63	21158-1094	1.906	2.875	0.437	63	21158-1195	2.000	2.783	0.375
63	21158-1105	1.906	3.125	0.375	63	21158-1196	2.000	2.783	0.437
63	21158-1114	1.937	2.625	0.375	63	21158-1197	2.000	2.716	0.375
63	21158-1116	1.937	2.625	0.500	63	21158-1198	2.000	2.875	0.375
63	21158-1117	1.937	2.686	0.375	63	21158-1199	2.000	2.875	0.437
63	21158-1119	1.937	2.686	0.500	63	21158-1200	2.000	2.875	0.500
63	21158-1120	1.937	2.750	0.375	63	21158-1201	2.000	2.997	0.375
63	21158-1122	1.937	2.750	0.500	63	21158-1203	2.000	2.997	0.500
63	21158-1123	1.937	2.756	0.375	63	21158-1204	2.000	3.000	0.375
63	21158-1128	1.937	2.783	0.500	63	21158-1205	2.000	3.000	0.437
63	21158-1129	1.937	2.875	0.375	63	21158-1206	2.000	3.000	0.500
63	21158-1130	1.937	2.875	0.437	63	21158-1207	2.000	3.062	0.375
63	21158-1131	1.937	2.875	0.500	63	21158-1209	2.000	3.062	0.500
63	21158-1132	1.937	2.997	0.375	63	21158-1210	2.000	3.125	0.375
63	21158-1134	1.937	2.997	0.500	63	21158-1211	2.000	2.745	0.375
63	21158-1135	1.937	3.000	0.375	63	21158-1212	2.000	3.125	0.500
63	21158-1136	1.937	3.000	0.437	63	21158-1213	2.000	3.147	0.375
63	21158-1137	1.937	3.000	0.500	63	21158-1215	2.000	3.147	0.500
63	21158-1138	1.937	3.062	0.375	63	21158-1216	2.000	3.189	0.375
63	21158-1139	1.937	3.062	0.437	63	21158-1217	2.000	3.189	0.437
63	21158-1140	1.937	3.062	0.500	63	21158-1218	2.000	3.189	0.500
63	21158-1141	1.937	3.125	0.375	63	21158-1219	2.000	3.246	0.375
63	21158-1142	1.937	3.125	0.437	63	21158-1221	2.000	3.246	0.500
63	21158-1143	1.937	3.125	0.500	63	21158-1225	2.031	2.997	0.375
63	21158-1144	1.937	3.147	0.375	63	21158-1228	2.031	3.000	0.375
63	21158-1147	1.937	3.189	0.375	63	21158-1231	2.031	3.062	0.375
63	21158-1148	1.937	3.189	0.437	63	21158-1234	2.031	3.125	0.375
63	21158-1149	1.937	3.189	0.500	63	21158-1240	2.031	3.189	0.375
63	21158-1150	1.969	2.686	0.375	63	21158-1249	2.031	3.350	0.375
63	21158-1153	1.969	2.750	0.375	63	21158-1252	2.062	2.875	0.375
63	21158-1154	1.969	2.750	0.437	63	21158-1253	2.062	2.875	0.437
63	21158-1156	1.969	2.756	0.375	63	21158-1254	2.062	2.875	0.500
63	21158-1162	1.969	2.875	0.375	63	21158-1255	2.062	2.997	0.375
63	21158-1164	1.969	2.875	0.500	63	21158-1258	2.062	3.000	0.375
63	21158-1166	1.969	2.997	0.437	63	21158-1260	2.062	3.000	0.500
63	21158-1167	1.969	2.997	0.500	63	21158-1261	2.062	3.062	0.375
63	21158-1168	1.969	3.000	0.375	63	21158-1263	2.062	3.062	0.500
63	21158-1170	1.969	3.000	0.500	63	21158-1264	2.062	3.125	0.375
63	21158-1174	1.969	3.125	0.375	63	21158-1266	2.062	3.125	0.500
63	21158-1177	1.969	3.147	0.375	63	21158-1267	2.062	3.147	0.375
63	21158-1180	1.969	3.189	0.375	63	21158-1270	2.062	3.189	0.375
63	21158-1183	1.969	3.246	0.375	63	21158-1276	2.062	3.250	0.375
63	21158-1185	1.969	3.246	0.500	63	21158-1278	2.062	3.250	0.500
63	21158-1186	2.000	2.686	0.375	63	21158-1279	2.062	3.350	0.375
63	21158-1187	2.000	2.686	0.437	63	21158-1282	2.094	2.875	0.375

All dimensions are in inches. Preferred sizes are indicated with **bold** type face. Sizes listed are for standard nitrile elements, except Models 25 and 62 which have PTFE elements. Other material available on inquiry only.

Oil Seals by Model Number

Garlock

MODEL NO	PART NO	SHAFT	BORE	WIDTH	MODEL NO	PART NO	SHAFT	BORE	WIDTH
63	21158-1285	2.094	2.997	0.375	63	21158-1402	2.187	3.000	0.375
63	21158-1291	2.094	3.062	0.375	63	21158-1403	2.187	3.000	0.437
63	21158-1297	2.094	3.147	0.375	63	21158-1404	2.187	3.000	0.500
63	21158-1306	2.094	3.250	0.375	63	21158-1405	2.187	3.062	0.375
63	21158-1309	2.094	3.350	0.375	63	21158-1406	2.187	3.062	0.437
63	21158-1313	2.094	3.372	0.437	63	21158-1407	2.187	3.062	0.500
63	21158-1315	2.094	3.481	0.375	63	21158-1408	2.187	3.125	0.375
63	21158-1318	2.094	3.500	0.375	63	21158-1410	2.187	3.125	0.500
63	21158-1321	2.125	2.875	0.375	63	21158-1411	2.187	3.147	0.375
63	21158-1322	2.125	2.875	0.437	63	21158-1413	2.187	3.147	0.500
63	21158-1323	2.125	2.875	0.500	63	21158-1414	2.187	3.189	0.375
63	21158-1324	2.125	2.997	0.375	63	21158-1415	2.187	3.189	0.437
63	21158-1326	2.125	2.997	0.500	63	21158-1416	2.187	3.189	0.500
63	21158-1327	2.125	3.000	0.375	63	21158-1417	2.187	3.246	0.437
63	21158-1328	2.125	3.000	0.437	63	21158-1420	2.187	3.250	0.375
63	21158-1329	2.125	3.000	0.500	63	21158-1422	2.187	3.250	0.500
63	21158-1330	2.125	3.062	0.375	63	21158-1423	2.187	3.350	0.375
63	21158-1331	2.125	3.062	0.437	63	21158-1424	2.187	3.350	0.437
63	21158-1332	2.125	3.062	0.500	63	21158-1425	2.187	3.350	0.500
63	21158-1333	2.125	3.125	0.375	63	21158-1426	2.187	3.372	0.375
63	21158-1334	2.125	3.125	0.437	63	21158-1428	2.187	3.372	0.500
63	21158-1335	2.125	3.125	0.500	63	21158-1429	2.187	3.481	0.375
63	21158-1336	2.125	3.147	0.375	63	21158-1432	2.187	3.500	0.375
63	21158-1339	2.125	3.189	0.375	63	21158-1434	2.187	3.500	0.500
63	21158-1341	2.125	3.189	0.500	63	21158-1435	2.219	2.997	0.375
63	21158-1342	2.125	3.372	0.469	63	21158-1438	2.219	3.000	0.375
63	21158-1345	2.125	3.250	0.375	63	21158-1456	2.219	3.250	0.375
63	21158-1346	2.125	3.250	0.437	63	21158-1462	2.219	3.372	0.375
63	21158-1347	2.125	3.250	0.500	63	21158-1468	2.219	3.500	0.375
63	21158-1348	2.125	3.350	0.375	63	21158-1471	2.250	2.997	0.375
63	21158-1349	2.125	3.350	0.437	63	21158-1473	2.250	2.997	0.500
63	21158-1350	2.125	3.350	0.500	63	21158-1474	2.250	3.000	0.375
63	21158-1351	2.125	3.372	0.375	63	21158-1475	2.250	3.000	0.437
63	21158-1352	2.125	3.372	0.437	63	21158-1476	2.250	3.000	0.500
63	21158-1353	2.125	3.372	0.500	63	21158-1477	2.250	3.062	0.375
63	21158-1357	2.125	3.500	0.375	63	21158-1479	2.250	3.062	0.500
63	21158-1359	2.125	3.500	0.500	63	21158-1480	2.250	3.125	0.375
63	21158-1360	2.156	2.875	0.375	63	21158-1481	2.250	3.125	0.437
63	21158-1363	2.156	2.997	0.375	63	21158-1482	2.250	3.125	0.500
63	21158-1365	2.156	2.997	0.500	63	21158-1483	2.250	3.147	0.375
63	21158-1366	2.156	3.000	0.375	63	21158-1485	2.250	3.147	0.500
63	21158-1375	2.156	3.147	0.375	63	21158-1486	2.250	3.189	0.375
63	21158-1378	2.156	3.189	0.375	63	21158-1487	2.250	3.189	0.437
63	21158-1384	2.156	3.250	0.375	63	21158-1489	2.250	3.246	0.375
63	21158-1385	2.156	3.250	0.437	63	21158-1491	2.250	3.246	0.500
63	21158-1389	2.156	3.350	0.500	63	21158-1492	2.250	3.250	0.375
63	21158-1390	2.156	3.372	0.375	63	21158-1493	2.250	3.250	0.437
63	21158-1396	2.156	3.500	0.375	63	21158-1494	2.250	3.250	0.500
63	21158-1398	2.156	3.500	0.500	63	21158-1495	2.250	3.350	0.375
63	21158-1399	2.187	2.875	0.375	63	21158-1496	2.250	3.350	0.437
63	21158-1400	2.187	2.875	0.437	63	21158-1497	2.250	3.350	0.500
63	21158-1401	2.187	2.875	0.500	63	21158-1498	2.250	3.372	0.375

All dimensions are in inches. Preferred sizes are indicated with **bold** type face.

Sizes listed are for standard nitrile elements, except Models 25 and 62 which have PTFE elements. Other material available on inquiry only.

Garlock

Oil Seals by Model Number

MODEL NO	PART NO	SHAFT	BORE	WIDTH	MODEL NO	PART NO	SHAFT	BORE	WIDTH
63	21158-1499	2.250	3.372	0.437	63	21158-1641	2.375	3.062	0.500
63	21158-1500	2.250	3.372	0.500	63	21158-1642	2.375	3.125	0.375
63	21158-1501	2.250	3.481	0.375	63	21158-1644	2.375	3.125	0.500
63	21158-1504	2.250	3.500	0.375	63	21158-1645	2.375	3.147	0.375
63	21158-1505	2.250	3.500	0.437	63	21158-1647	2.375	3.147	0.500
63	21158-1506	2.250	3.500	0.500	63	21158-1648	2.375	3.189	0.375
63	21158-1510	2.281	3.000	0.375	63	21158-1650	2.375	3.189	0.500
63	21158-1513	2.281	3.062	0.375	63	21158-1651	2.375	3.246	0.375
63	21158-1520	2.281	3.147	0.437	63	21158-1653	2.375	3.246	0.500
63	21158-1540	2.281	3.500	0.375	63	21158-1654	2.375	3.250	0.375
63	21158-1543	2.281	3.543	0.375	63	21158-1655	2.375	3.250	0.437
63	21158-1546	2.281	3.623	0.375	63	21158-1656	2.375	3.250	0.500
63	21158-1548	2.281	3.623	0.500	63	21158-1657	2.375	3.350	0.375
63	21158-1552	2.312	2.997	0.375	63	21158-1658	2.375	3.350	0.437
63	21158-1555	2.312	3.000	0.375	63	21158-1659	2.375	3.350	0.500
63	21158-1557	2.312	3.000	0.500	63	21158-1660	2.375	3.372	0.375
63	21158-1558	2.312	3.062	0.375	63	21158-1661	2.375	3.372	0.437
63	21158-1561	2.312	3.125	0.375	63	21158-1662	2.375	3.372	0.500
63	21158-1563	2.312	3.125	0.500	63	21158-1663	2.375	3.481	0.375
63	21158-1567	2.312	3.189	0.375	63	21158-1666	2.375	3.500	0.375
63	21158-1570	2.312	3.246	0.375	63	21158-1668	2.375	3.500	0.500
63	21158-1573	2.312	3.250	0.375	63	21158-1669	2.375	3.543	0.375
63	21158-1575	2.312	3.250	0.500	63	21158-1671	2.375	3.543	0.500
63	21158-1576	2.312	3.350	0.375	63	21158-1672	2.375	3.623	0.375
63	21158-1578	2.312	3.350	0.500	63	21158-1673	2.375	3.623	0.437
63	21158-1579	2.312	3.372	0.375	63	21158-1675	2.375	3.751	0.375
63	21158-1581	2.312	3.372	0.500	63	21158-1677	2.375	3.751	0.500
63	21158-1582	2.312	3.481	0.375	63	21158-1678	2.375	3.876	0.375
63	21158-1584	2.312	3.481	0.500	63	21158-1680	2.375	3.876	0.500
63	21158-1585	2.312	3.500	0.375	63	21158-1681	2.406	3.125	0.375
63	21158-1587	2.312	3.500	0.500	63	21158-1693	2.406	3.250	0.375
63	21158-1588	2.312	3.543	0.375	63	21158-1696	2.406	3.350	0.375
63	21158-1594	2.312	3.751	0.375	63	21158-1708	2.406	3.543	0.375
63	21158-1596	2.312	3.751	0.500	63	21158-1711	2.406	3.623	0.375
63	21158-1597	2.344	3.062	0.375	63	21158-1714	2.406	3.751	0.375
63	21158-1600	2.344	3.125	0.375	63	21158-1720	2.406	4.003	0.375
63	21158-1602	2.344	3.125	0.500	63	21158-1723	2.437	3.125	0.375
63	21158-1603	2.344	3.147	0.375	63	21158-1725	2.437	3.125	0.500
63	21158-1612	2.344	3.250	0.375	63	21158-1726	2.437	3.147	0.375
63	21158-1615	2.344	3.350	0.375	63	21158-1729	2.437	3.189	0.375
63	21158-1618	2.344	3.372	0.375	63	21158-1732	2.437	3.246	0.375
63	21158-1620	2.344	3.372	0.500	63	21158-1735	2.437	3.250	0.375
63	21158-1621	2.344	3.481	0.375	63	21158-1737	2.437	3.250	0.500
63	21158-1624	2.344	3.500	0.375	63	21158-1738	2.437	3.350	0.375
63	21158-1626	2.344	3.500	0.500	63	21158-1740	2.437	3.350	0.500
63	21158-1627	2.344	3.543	0.375	63	21158-1741	2.437	3.372	0.375
63	21158-1629	2.344	3.543	0.500	63	21158-1742	2.437	3.372	0.437
63	21158-1630	2.344	3.623	0.375	63	21158-1743	2.437	3.372	0.500
63	21158-1633	2.344	3.751	0.375	63	21158-1744	2.437	3.481	0.375
63	21158-1636	2.344	3.876	0.375	63	21158-1745	2.437	3.481	0.437
63	21158-1638	2.344	3.876	0.500	63	21158-1746	2.437	3.481	0.500
63	21158-1639	2.375	3.062	0.375	63	21158-1747	2.437	3.500	0.375

All dimensions are in inches. Preferred sizes are indicated with **bold** type face.
 Sizes listed are for standard nitrile elements, except Models 25 and 62 which have PTFE elements. Other material available on inquiry only.

Oil Seals by Model Number

Garlock

MODEL NO	PART NO	SHAFT	BORE	WIDTH	MODEL NO	PART NO	SHAFT	BORE	WIDTH
63	21158-1749	2.437	3.500	0.500	63	21158-1849	2.531	3.481	0.375
63	21158-1750	2.437	3.543	0.375	63	21158-1852	2.531	3.500	0.375
63	21158-1751	2.437	3.543	0.437	63	21158-1855	2.531	3.543	0.375
63	21158-1752	2.437	3.543	0.500	63	21158-1857	2.531	3.543	0.500
63	21158-1753	2.437	3.623	0.375	63	21158-1858	2.531	3.623	0.375
63	21158-1756	2.437	3.751	0.375	63	21158-1861	2.560	3.544	0.315
63	21158-1758	2.437	3.751	0.500	63	21158-1863	2.531	3.751	0.500
63	21158-1759	2.437	3.876	0.375	63	21158-1864	2.531	3.876	0.375
63	21158-1762	2.437	4.003	0.375	63	21158-1867	2.531	4.003	0.375
63	21158-1764	2.437	4.003	0.500	63	21158-1870	2.562	3.246	0.375
63	21158-1765	2.469	3.189	0.375	63	21158-1873	2.562	3.250	0.375
63	21158-1771	2.469	3.250	0.375	63	21158-1879	2.562	3.372	0.375
63	21158-1774	2.469	3.350	0.375	63	21158-1882	2.562	3.481	0.375
63	21158-1775	2.469	3.350	0.437	63	21158-1885	2.562	3.500	0.375
63	21158-1783	2.469	3.500	0.375	63	21158-1886	2.562	3.500	0.437
63	21158-1786	2.469	3.543	0.375	63	21158-1887	2.562	3.500	0.500
63	21158-1801	2.500	3.189	0.375	63	21158-1888	2.562	3.543	0.375
63	21158-1802	2.500	3.189	0.437	63	21158-1890	2.562	3.543	0.500
63	21158-1803	2.500	3.189	0.500	63	21158-1891	2.562	3.623	0.375
63	21158-1804	2.500	3.246	0.375	63	21158-1892	2.562	3.623	0.437
63	21158-1805	2.500	3.246	0.437	63	21158-1893	2.562	3.623	0.500
63	21158-1806	2.500	3.246	0.500	63	21158-1894	2.562	3.751	0.375
63	21158-1807	2.500	3.250	0.375	63	21158-1896	2.562	3.751	0.500
63	21158-1808	2.500	3.250	0.437	63	21158-1897	2.562	3.876	0.375
63	21158-1809	2.500	3.250	0.500	63	21158-1899	2.562	3.876	0.500
63	21158-1810	2.500	3.350	0.375	63	21158-1900	2.562	4.003	0.375
63	21158-1811	2.500	3.350	0.469	63	21158-1902	2.562	4.003	0.500
63	21158-1812	2.500	3.350	0.500	63	21158-1930	2.625	3.350	0.375
63	21158-1813	2.500	3.372	0.375	63	21158-1932	2.625	3.350	0.500
63	21158-1815	2.500	3.372	0.500	63	21158-1933	2.625	3.372	0.375
63	21158-1816	2.500	3.481	0.375	63	21158-1935	2.625	3.372	0.500
63	21158-1817	2.500	3.481	0.437	63	21158-1936	2.625	3.481	0.375
63	21158-1818	2.500	3.481	0.500	63	21158-1939	2.625	3.500	0.375
63	21158-1819	2.500	3.500	0.375	63	21158-1941	2.625	3.500	0.500
63	21158-1820	2.500	3.500	0.437	63	21158-1942	2.625	3.543	0.375
63	21158-1821	2.500	3.500	0.500	63	21158-1944	2.625	3.543	0.500
63	21158-1822	2.500	3.543	0.375	63	21158-1945	2.625	3.623	0.375
63	21158-1823	2.500	3.543	0.437	63	21158-1946	2.625	3.623	0.437
63	21158-1824	2.500	3.543	0.500	63	21158-1947	2.625	3.623	0.500
63	21158-1825	2.500	3.623	0.375	63	21158-1948	2.625	3.751	0.375
63	21158-1826	2.500	3.623	0.437	63	21158-1950	2.625	3.751	0.500
63	21158-1827	2.500	3.623	0.500	63	21158-1951	2.625	3.876	0.375
63	21158-1828	2.500	3.751	0.375	63	21158-1952	2.625	3.876	0.437
63	21158-1829	2.500	3.751	0.437	63	21158-1954	2.625	4.003	0.375
63	21158-1830	2.500	3.751	0.500	63	21158-1955	2.625	4.003	0.437
63	21158-1831	2.500	3.876	0.375	63	21158-1956	2.625	4.003	0.500
63	21158-1834	2.500	4.003	0.375	63	21158-1969	2.656	3.543	0.375
63	21158-1836	2.500	4.003	0.500	63	21158-1972	2.656	3.623	0.375
63	21158-1837	2.531	3.246	0.375	63	21158-1975	2.656	3.751	0.375
63	21158-1840	2.531	3.250	0.375	63	21158-1981	2.656	4.003	0.375
63	21158-1841	2.531	3.250	0.437	63	21158-1987	2.687	3.372	0.375
63	21158-1846	2.531	3.372	0.375	63	21158-1990	2.687	3.481	0.375

All dimensions are in inches. Preferred sizes are indicated with **bold** type face.

Sizes listed are for standard nitrile elements, except Models 25 and 62 which have PTFE elements. Other material available on inquiry only.

Garlock

Oil Seals by Model Number

MODEL NO	PART NO	SHAFT	BORE	WIDTH	MODEL NO	PART NO	SHAFT	BORE	WIDTH
63	21158-1993	2.687	3.500	0.375	63	21158-2094	2.812	4.003	0.500
63	21158-1994	2.687	3.500	0.437	63	21158-2098	2.844	3.623	0.375
63	21158-1996	2.687	3.543	0.375	63	21158-2100	2.844	3.623	0.500
63	21158-1999	2.687	3.623	0.375	63	21158-2101	2.844	3.751	0.375
63	21158-2001	2.687	3.623	0.500	63	21158-2103	2.844	3.751	0.500
63	21158-2002	2.687	3.751	0.375	63	21158-2107	2.844	4.003	0.375
63	21158-2003	2.687	3.751	0.437	63	21158-2115	2.875	3.623	0.375
63	21158-2004	2.687	3.751	0.500	63	21158-2116	2.875	3.623	0.437
63	21158-2005	2.687	3.876	0.375	63	21158-2117	2.875	3.623	0.500
63	21158-2006	2.687	3.876	0.437	63	21158-2118	2.875	3.751	0.375
63	21158-2007	2.687	3.876	0.500	63	21158-2120	2.875	3.751	0.500
63	21158-2008	2.687	4.003	0.375	63	21158-2121	2.875	3.876	0.375
63	21158-2010	2.687	4.003	0.500	63	21158-2122	2.875	3.876	0.437
63	21158-2011	2.719	3.481	0.375	63	21158-2123	2.875	3.876	0.500
63	21158-2014	2.719	3.500	0.375	63	21158-2124	2.875	4.003	0.375
63	21158-2017	2.719	3.543	0.375	63	21158-2125	2.875	4.003	0.437
63	21158-2020	2.719	3.623	0.375	63	21158-2126	2.875	4.003	0.500
63	21158-2023	2.719	3.751	0.375	63	21158-2127	2.875	4.125	0.406
63	21158-2025	2.719	3.751	0.500	63	21158-2128	2.875	4.125	0.469
63	21158-2028	2.719	3.876	0.500	63	21158-2129	2.906	3.623	0.375
63	21158-2029	2.719	4.003	0.375	63	21158-2133	2.906	3.751	0.437
63	21158-2031	2.719	4.003	0.500	63	21158-2135	2.906	3.876	0.375
63	21158-2032	2.750	3.481	0.375	63	21158-2138	2.906	4.003	0.375
63	21158-2034	2.750	3.481	0.500	63	21158-2141	2.906	4.125	0.406
63	21158-2035	2.750	3.500	0.375	63	21158-2142	2.906	4.125	0.469
63	21158-2036	2.750	3.500	0.437	63	21158-2143	2.937	3.623	0.375
63	21158-2037	2.750	3.500	0.500	63	21158-2145	2.937	3.623	0.500
63	21158-2038	2.750	3.543	0.375	63	21158-2146	2.937	3.751	0.375
63	21158-2039	2.750	3.543	0.437	63	21158-2147	2.937	3.751	0.437
63	21158-2040	2.750	3.543	0.500	63	21158-2148	2.937	3.751	0.500
63	21158-2041	2.750	3.623	0.375	63	21158-2149	2.937	3.876	0.375
63	21158-2042	2.750	3.623	0.437	63	21158-2150	2.937	3.876	0.437
63	21158-2043	2.750	3.623	0.500	63	21158-2151	2.937	3.876	0.500
63	21158-2044	2.750	3.751	0.375	63	21158-2152	2.937	4.003	0.375
63	21158-2045	2.750	3.751	0.437	63	21158-2153	2.937	4.003	0.437
63	21158-2046	2.750	3.751	0.500	63	21158-2154	2.937	4.003	0.500
63	21158-2047	2.750	3.876	0.375	63	21158-2155	2.937	4.125	0.406
63	21158-2048	2.750	3.876	0.437	63	21158-2157	2.969	3.751	0.375
63	21158-2049	2.750	3.876	0.500	63	21158-2160	2.969	3.876	0.375
63	21158-2050	2.750	4.003	0.375	63	21158-2163	2.969	4.003	0.375
63	21158-2052	2.750	4.003	0.500	63	21158-2166	2.969	4.125	0.406
63	21158-2077	2.812	3.500	0.375	63	21158-2168	3.000	3.751	0.375
63	21158-2080	2.812	3.543	0.375	63	21158-2169	3.000	3.751	0.438
63	21158-2083	2.812	3.623	0.375	63	21158-2170	3.000	3.751	0.500
63	21158-2085	2.812	3.623	0.500	63	21158-2171	3.000	3.876	0.375
63	21158-2086	2.812	3.751	0.375	63	21158-2172	3.000	3.876	0.438
63	21158-2088	2.812	3.751	0.500	63	21158-2173	3.000	3.876	0.500
63	21158-2089	2.812	3.876	0.375	63	21158-2174	3.000	4.003	0.375
63	21158-2090	2.812	3.876	0.437	63	21158-2175	3.000	4.003	0.438
63	21158-2091	2.812	3.876	0.500	63	21158-2176	3.000	4.003	0.500
63	21158-2092	2.812	4.003	0.375	63	21158-3863	0.250	0.750	0.250
63	21158-2093	2.812	4.003	0.437	63	21158-3864	0.250	0.875	0.250

All dimensions are in inches. Preferred sizes are indicated with **bold** type face. Sizes listed are for standard nitrile elements, except Models 25 and 62 which have PTFE elements. Other material available on inquiry only.

Oil Seals by Model Number

Garlock

MODEL NO	PART NO	SHAFT	BORE	WIDTH	MODEL NO	PART NO	SHAFT	BORE	WIDTH
63	21158-3865	0.438	1.375	0.312	63	21158-5396	0.562	1.375	0.406
63	21158-3867	0.469	1.375	0.312	63	21158-5398	2.625	3.350	0.469
63	21158-3869	0.562	1.000	0.312	63	21158-5407	2.625	3.375	0.375
63	21158-3870	0.750	1.260	0.406	63	21158-5434	0.906	1.625	0.437
63	21158-3871	1.062	1.984	0.500	63	21158-5491	1.156	1.828	0.437
63	21158-3872	1.125	1.984	0.375	63	21158-5496	1.469	2.437	0.469
63	21158-3873	1.125	1.984	0.437	63	21158-5501	1.500	2.875	0.406
63	21158-3874	1.125	1.984	0.500	63	21158-5502	0.875	1.375	0.406
63	21158-3875	1.156	2.441	0.375	63	21158-5560	2.250	3.350	0.469
63	21158-3876	1.187	1.828	0.375	63	21158-5562	1.108	1.850	0.375
63	21158-3877	1.187	2.048	0.375	63	21158-5581	2.625	3.623	0.469
63	21158-3879	1.312	2.875	0.500	63	21158-5656	1.187	1.984	0.500
63	21158-3880	1.500	2.441	0.375	63	21158-5688	2.125	2.875	0.469
63	21158-3881	1.500	2.882	0.375	63	21158-5704	1.250	1.875	0.375
63	21158-3883	1.562	2.875	0.375	63	21158-5713	1.500	2.125	0.437
63	21158-3884	1.625	2.656	0.375	63	21158-5891	1.125	1.851	0.437
63	21158-3885	1.750	3.189	0.500	63	21158-5937	0.969	2.048	0.375
63	21158-3887	1.844	2.500	0.375	63	21158-5963	1.719	2.835	0.375
63	21158-3888	1.875	3.149	0.375	63	21158-6011	1.187	2.500	0.500
63	21158-3889	1.937	3.350	0.500	63	21158-6120	0.750	1.851	0.375
63	21158-3892	2.000	3.375	0.500	63	21158-6300	2.562	3.937	0.375
63	21158-3893	2.031	2.783	0.375	63	21158-6470	1.000	1.750	0.500
63	21158-3896	2.031	3.150	0.344	63	21158-6623	0.469	1.260	0.312
63	21158-3897	2.062	2.783	0.375	63	21158-6627	2.863	4.724	0.500
63	21158-3900	2.125	2.882	0.375	63	21158-6643	0.562	1.260	0.312
63	21158-3902	2.125	3.623	0.437	63	21158-6654	1.000	2.047	0.375
63	21158-3903	2.187	2.882	0.375	63	21158-6655	1.375	2.047	0.375
63	21158-3904	2.187	2.997	0.375	63	21158-6656	1.969	2.835	0.375
63	21158-4584	1.375	2.835	0.375	63	21158-6658	1.375	2.441	0.375
63	21158-4597	1.187	2.835	0.375	63	21158-6659	1.187	1.850	0.375
63	21158-4600	1.187	2.441	0.375	63	21158-6724	1.750	3.125	0.375
63	21158-4605	0.750	1.375	0.406	63	21158-6725	1.750	2.835	0.375
63	21158-4645	1.562	2.561	0.500	63	21158-6859	0.984	1.850	0.375
63	21158-4646	2.375	3.350	0.469	63	21158-6906	1.000	1.851	0.375
63	21158-4680	0.625	1.260	0.312	63	21158-7126	1.687	2.835	0.375
63	21158-4687	0.984	2.048	0.375	63	21158-7143	2.812	3.875	0.469
63	21158-4748	0.875	1.851	0.375	63	21158-7164	1.875	2.835	0.375
63	21158-4793	0.656	1.378	0.312	63	21158-7173	1.093	1.850	0.375
63	21158-4802	0.969	1.850	0.375	63	21158-7198	0.781	1.850	0.375
63	21158-4813	1.125	1.850	0.375	63	21158-7218	2.156	3.544	0.375
63	21158-4821	1.312	2.047	0.375	63	21158-7316	1.266	2.048	0.375
63	21158-4845	2.500	3.937	0.375	63	21158-7345	0.500	1.182	0.312
63	21158-4849	0.875	2.047	0.375	63	21158-7386	1.375	2.000	0.375
63	21158-4930	1.937	2.835	0.375	63	21158-7415	1.969	3.150	0.375
63	21158-4935	0.750	1.850	0.312	63	21158-7456	1.687	2.441	0.375
63	21158-4965	0.781	1.378	0.312	63	21158-7459	1.750	2.718	0.359
63	21158-4975	2.062	3.347	0.375	63	21158-7596	2.937	3.937	0.375
63	21158-5046	0.937	2.047	0.375	63	21158-7599	1.093	1.654	0.312
63	21158-5080	2.500	3.671	0.375	63	21158-7650	1.125	1.850	0.312
63	21158-5238	0.687	1.375	0.406	63	21158-7667	2.156	2.835	0.375
63	21158-5295	1.000	1.983	0.500	63	21158-7702	2.232	3.543	0.375
63	21158-5393	1.625	2.437	0.469	63	21158-7715	1.281	2.047	0.375

All dimensions are in inches. Preferred sizes are indicated with **bold** type face.

Sizes listed are for standard nitrile elements, except Models 25 and 62 which have PTFE elements. Other material available on inquiry only.

Garlock

Oil Seals by Model Number

MODEL NO	PART NO	SHAFT	BORE	WIDTH	MODEL NO	PART NO	SHAFT	BORE	WIDTH
63	21158-7727	0.188	0.750	0.250	63	21158-8045	0.844	1.850	0.375
63	21158-7748	1.417	2.047	0.374	63	21158-8046	0.844	2.047	0.312
63	21158-7753	0.719	1.260	0.312	63	21158-8048	0.875	1.654	0.312
63	21158-7761	1.781	2.441	0.375	63	21158-8050	0.906	1.654	0.312
63	21158-7763	0.719	1.378	0.312	63	21158-8051	0.906	1.850	0.375
63	21158-7767	1.625	2.441	0.375	63	21158-8052	0.906	2.047	0.375
63	21158-7800	2.625	3.937	0.375	63	21158-8054	0.937	1.654	0.312
63	21158-7846	0.781	1.851	0.312	63	21158-8055	0.937	1.850	0.375
63	21158-7852	1.250	2.047	0.375	63	21158-8056	0.969	1.654	0.312
63	21158-7865	1.732	2.835	0.375	63	21158-8057	1.000	1.654	0.312
63	21158-7884	1.575	2.441	0.394	63	21158-8059	1.031	1.654	0.312
63	21158-7914	1.156	2.047	0.375	63	21158-8060	1.031	1.850	0.375
63	21158-7926	2.406	3.937	0.375	63	21158-8061	1.031	2.047	0.375
63	21158-7927	2.437	3.937	0.375	63	21158-8062	1.062	1.654	0.312
63	21158-7928	2.469	3.937	0.375	63	21158-8063	1.062	1.850	0.375
63	21158-7929	2.531	3.937	0.375	63	21158-8064	1.062	2.047	0.375
63	21158-7931	2.656	3.937	0.375	63	21158-8065	1.093	2.047	0.375
63	21158-7932	2.687	3.937	0.375	63	21158-8066	1.125	1.654	0.312
63	21158-7933	2.719	3.937	0.375	63	21158-8067	1.125	2.047	0.375
63	21158-7934	2.750	3.937	0.375	63	21158-8068	1.219	2.047	0.375
63	21158-7936	2.812	3.937	0.375	63	21158-8070	1.281	2.441	0.375
63	21158-7937	2.844	3.937	0.375	63	21158-8071	1.312	2.441	0.375
63	21158-7938	2.875	3.937	0.375	63	21158-8072	1.344	2.441	0.375
63	21158-7939	2.906	3.937	0.375	63	21158-8073	1.406	2.441	0.375
63	21158-7940	2.969	3.937	0.375	63	21158-8075	1.469	2.441	0.375
63	21158-7941	3.000	3.937	0.375	63	21158-8076	1.531	2.441	0.375
63	21158-8007	0.375	1.260	0.312	63	21158-8077	1.562	2.441	0.375
63	21158-8008	0.375	1.182	0.312	63	21158-8078	1.562	2.835	0.375
63	21158-8009	0.406	1.182	0.312	63	21158-8079	1.594	2.441	0.375
63	21158-8010	0.406	1.260	0.312	63	21158-8080	1.594	2.835	0.375
63	21158-8011	0.438	1.260	0.312	63	21158-8081	1.625	2.835	0.375
63	21158-8012	0.469	1.182	0.312	63	21158-8082	1.656	2.441	0.375
63	21158-8013	0.500	1.260	0.312	63	21158-8083	1.656	2.835	0.375
63	21158-8015	0.531	1.182	0.312	63	21158-8084	1.719	2.441	0.375
63	21158-8016	0.531	1.260	0.312	63	21158-8085	1.750	3.150	0.375
63	21158-8018	0.562	1.182	0.312	63	21158-8086	1.781	2.835	0.375
63	21158-8020	0.594	1.182	0.312	63	21158-8088	1.812	2.835	0.375
63	21158-8021	0.594	1.260	0.312	63	21158-8089	1.812	3.150	0.375
63	21158-8023	0.625	1.182	0.312	63	21158-8090	1.844	2.835	0.375
63	21158-8025	0.656	1.182	0.312	63	21158-8091	1.844	3.150	0.375
63	21158-8026	0.656	1.260	0.312	63	21158-8092	1.906	2.835	0.375
63	21158-8028	0.687	1.182	0.312	63	21158-8093	1.906	3.150	0.375
63	21158-8029	0.687	1.260	0.312	63	21158-8094	1.937	3.150	0.375
63	21158-8032	0.719	1.654	0.312	63	21158-8097	2.000	3.150	0.375
63	21158-8033	0.750	1.260	0.312	63	21158-8098	2.000	3.347	0.375
63	21158-8035	0.750	1.654	0.312	63	21158-8099	2.031	2.835	0.375
63	21158-8036	0.781	1.260	0.312	63	21158-8100	2.062	2.835	0.375
63	21158-8038	0.781	1.654	0.312	63	21158-8101	0.438	1.182	0.312
63	21158-8039	0.812	1.260	0.312	63	21158-8102	0.500	1.378	0.312
63	21158-8041	0.812	1.654	0.312	63	21158-8109	0.594	1.378	0.312
63	21158-8042	0.812	1.850	0.375	63	21158-8110	0.719	1.850	0.375
63	21158-8044	0.844	1.654	0.312	63	21158-8111	2.000	2.835	0.375

All dimensions are in inches. Preferred sizes are indicated with **bold** type face. Sizes listed are for standard nitrile elements, except Models 25 and 62 which have PTFE elements. Other material available on inquiry only.

Oil Seals by Model Number

Garlock

MODEL NO	PART NO	SHAFT	BORE	WIDTH	MODEL NO	PART NO	SHAFT	BORE	WIDTH
63	21158-8112	2.125	2.835	0.375	63	21158-8904	2.281	3.154	0.375
63	21158-8117	2.156	3.347	0.375	63	21158-9223	1.766	2.559	0.375
63	21158-8258	1.875	3.000	0.562	63	21158-9294	1.437	2.441	0.375
63	21158-8326	1.562	2.441	0.437	63	21158-9342	1.181	1.850	0.375
63	21158-8335	0.375	1.378	0.312	63	21158-9345	1.000	1.875	0.312
63	21158-8336	0.406	1.378	0.312	63	21158-9407	2.156	2.882	0.375
63	21158-8337	0.438	1.378	0.312	63	21158-9481	2.937	4.125	0.562
63	21158-8338	0.469	1.378	0.312	63	21158-9564	1.125	1.781	0.437
63	21158-8340	0.531	1.378	0.312	63	21158-9571	2.062	3.500	0.375
63	21158-8341	0.562	1.378	0.312	63	21158-9612	1.375	2.875	0.375
63	21158-8342	0.625	1.378	0.312	63	21158-9620	1.750	2.441	0.375
63	21158-8343	0.687	1.378	0.312	63	21158-9633	1.812	2.758	0.500
63	21158-8344	0.750	1.378	0.312	63	21158-9822	1.750	2.375	0.312
63	21158-8345	0.812	1.378	0.312	63F1	23078-0018	0.375	1.000	0.375
63	21158-8346	0.844	1.378	0.312	63F1	23078-0222	0.875	1.750	0.437
63	21158-8347	0.875	1.378	0.312	63F1	23078-1437	2.219	2.997	0.594
63	21158-8348	2.031	3.150	0.375	63F1	23078-2967	1.875	3.000	0.594
63	21158-8349	2.031	3.347	0.375	63F1	23078-4592	2.125	2.875	0.687
63	21158-8350	2.062	3.150	0.375	63F1	23078-4735	2.250	3.500	0.594
63	21158-8351	2.094	3.150	0.375	63F1	23078-4746	2.375	3.246	0.594
63	21158-8352	2.094	3.347	0.375	63F1	23078-4838	2.125	3.350	0.594
63	21158-8353	2.125	3.150	0.375	63F1	23078-4908	0.687	1.125	0.437
63	21158-8354	2.125	3.347	0.375	63F1	23078-4916	2.125	2.875	0.594
63	21158-8355	2.156	3.150	0.375	63F1	23078-4938	2.250	3.372	0.594
63	21158-8357	2.187	3.150	0.375	63F1	23078-4945	2.062	3.189	0.594
63	21158-8358	2.187	3.347	0.375	63F1	23078-5004	1.500	2.625	0.594
63	21158-8359	2.219	3.150	0.375	63F1	23078-5005	1.750	2.750	0.594
63	21158-8360	2.219	3.347	0.375	63F1	23078-5041	0.687	1.250	0.437
63	21158-8361	2.250	3.150	0.375	63F1	23078-5208	2.250	2.997	0.594
63	21158-8362	2.250	3.347	0.375	63F1	23078-5215	1.969	2.875	0.687
63	21158-8363	2.281	3.150	0.375	63F1	23078-5256	1.750	2.750	0.750
63	21158-8364	2.281	3.347	0.375	63F1	23078-5268	1.500	2.750	0.594
63	21158-8365	2.312	3.150	0.375	63F1	23078-5283	2.000	2.750	0.625
63	21158-8366	2.312	3.347	0.375	63F1	23078-5311	0.625	1.250	0.531
63	21158-8367	2.344	3.150	0.375	63F1	23078-5362	1.656	2.500	0.594
63	21158-8368	2.344	3.347	0.375	63F1	23078-5387	2.500	3.500	0.750
63	21158-8369	2.375	3.150	0.375	63F1	23078-5391	0.500	1.125	0.531
63	21158-8370	2.375	3.347	0.375	63F1	23078-5544	1.969	2.686	0.594
63	21158-8371	2.406	3.150	0.375	63F1	23078-5657	0.625	1.125	0.500
63	21158-8372	2.406	3.347	0.375	63F1	23078-5686	2.625	3.374	0.719
63	21158-8373	2.437	3.150	0.375	63F1	23078-5687	2.125	3.062	0.750
63	21158-8374	2.437	3.347	0.375	63F1	23078-5693	2.719	4.003	0.594
63	21158-8375	2.469	3.347	0.375	63F1	23078-5703	1.000	2.000	0.625
63	21158-8376	2.500	3.347	0.375	63F1	23078-5791	1.062	1.828	0.453
63	21158-8377	2.531	3.347	0.375	63F1	23078-6028	1.750	2.625	0.594
63	21158-8378	2.562	3.347	0.375	63F1	23078-6141	2.187	2.875	0.594
63	21158-8405	1.781	2.437	0.375	63F1	23078-6244	2.687	3.500	0.594
63	21158-8456	1.750	3.625	0.437	63F1	23078-6270	2.437	3.372	0.594
63	21158-8484	1.718	2.561	0.500	63F1	23078-6271	1.562	2.500	0.594
63	21158-8610	1.575	2.441	0.375	63F1	23078-6459	2.375	3.125	0.594
63	21158-8615	1.625	2.562	0.500	63F1	23078-6470	1.000	1.750	0.500
63	21158-8644	1.062	1.979	0.375	63F1	23078-6478	2.250	3.000	0.687

All dimensions are in inches. Preferred sizes are indicated with **bold** type face.

Sizes listed are for standard nitrile elements, except Models 25 and 62 which have PTFE elements. Other material available on inquiry only.

Garlock

Oil Seals by Model Number

MODEL NO	PART NO	SHAFT	BORE	WIDTH	MODEL NO	PART NO	SHAFT	BORE	WIDTH
63F1	23078-6506	2.500	3.250	0.594	63F1	23078-8105	2.469	3.500	0.594
63F1	23078-6523	0.875	1.375	0.437	63F1	23078-8312	1.250	1.984	0.594
63F1	23078-6524	1.000	1.625	0.437	63F1	23078-8318	0.594	1.125	0.437
63F1	23078-6585	2.937	4.003	0.594	63F1	23078-8432	1.469	2.250	0.594
63F1	23078-6592	1.812	2.875	0.594	63F1	23078-8498	2.250	2.997	0.750
63F1	23078-6593	2.125	3.000	0.687	63F1	23078-8573	2.500	3.543	0.594
63F1	23078-6605	2.125	3.250	0.594	63F1	23078-8650	1.875	2.625	0.594
63F1	23078-6612	0.750	1.250	0.437	63F1	23078-8679	2.687	3.751	0.594
63F1	23078-6680	2.875	4.003	0.594	63F1	23078-8763	0.562	1.125	0.437
63F1	23078-6700	2.562	3.500	0.594	63F1	23078-9070	2.812	4.003	0.594
63F1	23078-6701	1.375	2.250	0.594	63F1	23078-9093	2.500	3.372	0.594
63F1	23078-6744	1.687	3.000	0.594	63F1	23078-9234	1.687	2.437	0.625
63F1	23078-6755	1.000	1.500	0.437	63F1	23078-9666	2.000	3.062	0.594
63F1	23078-6762	2.875	4.125	0.719	63F1	23078-9667	1.687	2.875	0.594
63F1	23078-6794	2.125	3.061	0.687	63F1	23078-9694	2.687	3.876	0.594
63F1	23078-6795	2.250	2.997	0.687	63F1	23078-9739	1.625	2.750	0.594
63F1	23078-6866	2.625	3.350	0.594	63F1	23078-9833	1.375	2.125	0.625
63F1	23078-6904	2.000	3.000	0.594	63F1	23078-9943	1.625	2.441	0.594
63F1	23078-6927	0.750	1.375	0.437	63R1	23547-4592	2.125	2.875	0.687
63F1	23078-6961	1.437	2.437	0.594	63R1	23547-4700	0.875	1.500	0.562
63F1	23078-6985	0.750	1.500	0.437	63R1	23547-4754	0.750	1.375	0.562
63F1	23078-6986	0.500	1.125	0.562	63R1	23547-4766	1.625	2.625	0.687
63F1	23078-6993	1.187	2.000	0.594	63R1	23547-4819	0.937	1.500	0.562
63F1	23078-7099	2.000	2.875	0.594	63R1	23547-4891	1.437	2.686	0.687
63F1	23078-7116	1.562	2.250	0.594	63R1	23547-4905	2.250	3.147	0.687
63F1	23078-7122	0.438	0.875	0.437	63R1	23547-4914	2.375	3.500	0.687
63F1	23078-7142	2.250	3.147	0.594	63R1	23547-5387	2.500	3.500	0.750
63F1	23078-7145	2.062	3.000	0.594	63R1	23547-5476	2.062	3.062	0.687
63F1	23078-7152	1.625	2.437	0.594	63R1	23547-5483	2.625	3.625	0.687
63F1	23078-7186	1.000	2.000	0.687	63R1	23547-5528	2.250	3.500	0.703
63F1	23078-7201	0.562	1.250	0.562	63R1	23547-5568	2.000	2.997	0.687
63F1	23078-7254	1.687	2.500	0.594	63R1	23547-5702	2.062	3.187	0.703
63F1	23078-7285	2.437	3.500	0.594	63R1	23547-5893	0.438	0.875	0.594
63F1	23078-7307	1.750	2.500	0.594	63R1	23547-6043	2.312	3.751	0.687
63F1	23078-7328	3.000	4.003	0.594	63R1	23547-6438	2.000	3.000	0.687
63F1	23078-7339	2.750	3.751	0.750	63R1	23547-6442	0.500	1.000	0.594
63F1	23078-7341	1.187	1.875	0.594	63R1	23547-6465	2.500	3.500	0.687
63F1	23078-7372	1.250	2.375	0.594	63R1	23547-6467	2.750	3.751	0.687
63F1	23078-7390	1.250	2.000	0.594	63R1	23547-6469	1.937	3.000	0.687
63F1	23078-7406	2.375	3.500	0.750	63R1	23547-6476	0.875	1.625	0.562
63F1	23078-7484	2.125	3.125	0.594	63R1	23547-6477	1.000	1.625	0.562
63F1	23078-7542	3.000	3.751	0.594	63R1	23547-6479	1.375	2.125	0.687
63F1	23078-7555	1.750	3.000	0.594	63R1	23547-6522	1.750	3.000	0.687
63F1	23078-7563	2.000	2.750	0.687	63R1	23547-6551	1.500	2.500	0.687
63F1	23078-7567	1.375	2.125	0.594	63R1	23547-6576	1.375	2.062	0.687
63F1	23078-7568	1.500	2.250	0.594	63R1	23547-6588	2.937	4.003	0.687
63F1	23078-7633	2.437	3.125	0.594	63R1	23547-6667	1.500	2.375	0.687
63F1	23078-7662	0.625	1.250	0.437	63R1	23547-6674	1.250	2.125	0.687
63F1	23078-7722	2.937	4.125	0.719	63R1	23547-6675	1.250	2.250	0.687
63F1	23078-7776	2.625	3.623	0.594	63R1	23547-6730	2.875	3.751	0.687
63F1	23078-7787	2.125	3.189	0.750	63R1	23547-6745	1.250	2.000	0.687
63F1	23078-7829	2.750	3.500	0.594	63R1	23547-6751	1.687	3.000	0.687

All dimensions are in inches. Preferred sizes are indicated with **bold** type face. Sizes listed are for standard nitrile elements, except Models 25 and 62 which have PTFE elements. Other material available on inquiry only.

Oil Seals by Model Number

Garlock

MODEL NO	PART NO	SHAFT	BORE	WIDTH	MODEL NO	PART NO	SHAFT	BORE	WIDTH
63R1	23547-6757	2.250	3.500	0.687	63R2	23548-4887	1.000	1.875	0.687
63R1	23547-6774	1.375	2.250	0.687	63R2	23548-4958	2.312	3.250	0.687
63R1	23547-6832	1.750	2.750	0.687	63R2	23548-4976	1.375	2.625	0.687
63R1	23547-6857	1.125	1.750	0.687	63R2	23548-5401	0.875	1.828	0.687
63R1	23547-6860	1.625	2.500	0.687	63R2	23548-5483	2.625	3.625	0.687
63R1	23547-6898	2.375	3.125	0.687	63R2	23548-5653	0.937	1.875	0.625
63R1	23547-6937	1.500	2.250	0.687	63R2	23548-5968	2.375	3.062	0.687
63R1	23547-6941	2.344	3.350	0.687	63R2	23548-5980	2.375	3.350	0.687
63R1	23547-6986	0.500	1.125	0.562	63R2	23548-6438	2.000	3.000	0.687
63R1	23547-7146	0.250	0.750	0.469	63R2	23548-6442	0.500	1.000	0.594
63R1	23547-7150	0.625	1.250	0.562	63R2	23548-6452	1.125	1.625	0.562
63R1	23547-7184	0.750	1.500	0.562	63R2	23548-6465	2.500	3.500	0.687
63R1	23547-7187	2.625	3.500	0.687	63R2	23548-6467	2.750	3.751	0.687
63R1	23547-7197	3.000	4.003	0.687	63R2	23548-6468	2.375	3.751	0.687
63R1	23547-7208	1.125	1.750	0.562	63R2	23548-6477	1.000	1.625	0.562
63R1	23547-7210	2.687	3.751	0.687	63R2	23548-6478	2.250	3.000	0.687
63R1	23547-7215	1.000	1.750	0.687	63R2	23548-6479	1.375	2.125	0.687
63R1	23547-7280	1.562	2.437	0.687	63R2	23548-6516	1.625	2.375	0.687
63R1	23547-7346	2.062	2.875	0.687	63R2	23548-6517	1.250	2.375	0.687
63R1	23547-7382	2.250	3.350	0.687	63R2	23548-6522	1.750	3.000	0.687
63R1	23547-7563	2.000	2.750	0.687	63R2	23548-6536	2.000	3.375	0.687
63R1	23547-7569	1.687	2.375	0.687	63R2	23548-6543	3.000	3.751	0.687
63R1	23547-7691	2.250	3.246	0.687	63R2	23548-6546	1.875	2.625	0.687
63R1	23547-8104	1.562	2.375	0.687	63R2	23548-6551	1.500	2.500	0.687
63R1	23547-8187	1.187	1.875	0.687	63R2	23548-6554	1.687	2.750	0.687
63R1	23547-8266	1.625	2.875	0.687	63R2	23548-6566	2.500	3.751	0.687
63R1	23547-8272	0.500	1.250	0.562	63R2	23548-6567	0.562	1.125	0.562
63R1	23547-8470	2.937	3.876	0.687	63R2	23548-6569	1.437	2.250	0.687
63R1	23547-8514	1.156	2.250	0.687	63R2	23548-6580	1.000	1.828	0.687
63R1	23547-8569	1.250	2.437	0.687	63R2	23548-6593	2.125	3.000	0.687
63R1	23547-8704	1.500	2.250	0.531	63R2	23548-6599	2.875	4.003	0.687
63R1	23547-9029	2.406	3.372	0.687	63R2	23548-6608	2.000	2.686	0.687
63R1	23547-9417	1.000	1.750	0.625	63R2	23548-6637	0.625	1.125	0.562
63R1	23547-9430	1.937	2.997	0.687	63R2	23548-6641	2.562	3.250	0.687
63R1	23547-9551	1.281	2.497	0.687	63R2	23548-6651	2.625	3.751	0.687
63R1	23547-9585	1.187	2.062	0.687	63R2	23548-6667	1.500	2.375	0.687
63R2	23548-1171	2.875	3.876	0.687	63R2	23548-6675	1.250	2.250	0.687
63R2	23548-4592	2.125	2.875	0.687	63R2	23548-6694	1.000	1.500	0.562
63R2	23548-4665	2.250	3.250	0.687	63R2	23548-6706	2.000	3.189	0.687
63R2	23548-4670	2.000	2.875	0.687	63R2	23548-6716	2.750	3.500	0.687
63R2	23548-4671	1.750	2.437	0.687	63R2	23548-6720	0.750	1.250	0.562
63R2	23548-4693	1.937	2.875	0.687	63R2	23548-6730	2.875	3.751	0.687
63R2	23548-4700	0.875	1.500	0.562	63R2	23548-6733	0.375	0.750	0.469
63R2	23548-4721	0.937	1.625	0.562	63R2	23548-6745	1.250	2.000	0.687
63R2	23548-4734	2.500	3.876	0.687	63R2	23548-6753	1.687	2.686	0.687
63R2	23548-4754	0.750	1.375	0.562	63R2	23548-6792	1.937	3.350	0.687
63R2	23548-4818	1.469	2.750	0.687	63R2	23548-6795	2.250	2.997	0.687
63R2	23548-4844	2.500	3.543	0.687	63R2	23548-6800	2.625	4.003	0.687
63R2	23548-4848	2.187	3.500	0.687	63R2	23548-6832	1.750	2.750	0.687
63R2	23548-4852	0.562	1.000	0.594	63R2	23548-6856	0.625	1.375	0.562
63R2	23548-4861	1.437	2.500	0.687	63R2	23548-6899	1.562	2.500	0.687
63R2	23548-4866	2.000	3.246	0.687	63R2	23548-6966	2.500	4.003	0.687

All dimensions are in inches. Preferred sizes are indicated with **bold** type face.
 Sizes listed are for standard nitrile elements, except Models 25 and 62 which have PTFE elements. Other material available on inquiry only.

Garlock

Oil Seals by Model Number

MODEL NO	PART NO	SHAFT	BORE	WIDTH	MODEL NO	PART NO	SHAFT	BORE	WIDTH
63R2	23548-6971	0.594	1.375	0.562	63T2	23550-4976	1.375	2.625	0.687
63R2	23548-7100	0.969	2.062	0.687	63T2	23550-5007	1.375	2.106	0.687
63R2	23548-7136	2.437	3.189	0.687	63T2	23550-5053	2.000	3.125	0.687
63R2	23548-7146	0.250	0.750	0.469	63T2	23550-5214	0.750	1.575	0.562
63R2	23548-7159	2.812	3.751	0.687	63T2	23550-5248	0.750	1.875	0.687
63R2	23548-7160	2.125	3.125	0.687	63T2	23550-5257	2.625	3.500	0.750
63R2	23548-7177	2.750	4.003	0.687	63T2	23550-5652	1.875	2.686	0.687
63R2	23548-7187	2.625	3.500	0.687	63T2	23550-5778	2.000	2.882	0.687
63R2	23548-7197	3.000	4.003	0.687	63T2	23550-5886	2.687	3.876	0.687
63R2	23548-7215	1.000	1.750	0.687	63T2	23550-5893	0.438	0.875	0.594
63R2	23548-7223	1.937	2.625	0.687	63T2	23550-5980	2.375	3.350	0.687
63R2	23548-7228	1.750	2.625	0.687	63T2	23550-6438	2.000	3.000	0.687
63R2	23548-7238	2.437	3.481	0.687	63T2	23550-6448	1.500	2.625	0.687
63R2	23548-7248	1.937	2.686	0.687	63T2	23550-6452	1.125	1.625	0.562
63R2	23548-7299	0.687	1.125	0.562	63T2	23550-6465	2.500	3.500	0.687
63R2	23548-7333	1.187	2.375	0.687	63T2	23550-6466	1.125	2.000	0.687
63R2	23548-7563	2.000	2.750	0.687	63T2	23550-6467	2.750	3.751	0.687
63R2	23548-7564	2.500	3.250	0.687	63T2	23550-6469	1.937	3.000	0.687
63R2	23548-8104	1.562	2.375	0.687	63T2	23550-6475	1.375	2.500	0.687
63R2	23548-8187	1.187	1.875	0.687	63T2	23550-6477	1.000	1.625	0.562
63R2	23548-8293	1.875	2.875	0.687	63T2	23550-6478	2.250	3.000	0.687
63R2	23548-8339	0.625	1.500	0.562	63T2	23550-6479	1.375	2.125	0.687
63R2	23548-8404	2.125	3.350	0.687	63T2	23550-6487	2.437	3.125	0.687
63R2	23548-8496	0.375	0.875	0.469	63T2	23550-6500	0.875	1.375	0.562
63R2	23548-8521	2.437	3.250	0.687	63T2	23550-6517	1.250	2.375	0.687
63R2	23548-8643	1.875	2.750	0.687	63T2	23550-6522	1.750	3.000	0.687
63R2	23548-8646	1.719	2.625	0.687	63T2	23550-6541	2.437	3.500	0.687
63R2	23548-8863	2.937	3.623	0.687	63T2	23550-6546	1.875	2.625	0.687
63R2	23548-8930	2.500	3.625	0.687	63T2	23550-6551	1.500	2.500	0.687
63R2	23548-9040	2.687	3.623	0.687	63T2	23550-6554	1.687	2.750	0.687
63R2	23548-9081	1.469	2.375	0.687	63T2	23550-6566	2.500	3.751	0.687
63R2	23548-9604	2.312	3.000	0.687	63T2	23550-6569	1.437	2.250	0.687
63R2	23548-9621	2.062	2.997	0.687	63T2	23550-6576	1.375	2.062	0.687
63R2	23548-9624	0.937	1.750	0.687	63T2	23550-6589	2.687	4.003	0.687
63T2	23550-1452	1.250	1.875	0.688	63T2	23550-6593	2.125	3.000	0.687
63T2	23550-2494	2.406	3.125	0.687	63T2	23550-6599	2.875	4.003	0.687
63T2	23550-2577	0.750	1.750	0.687	63T2	23550-6624	1.250	2.062	0.687
63T2	23550-4592	2.125	2.875	0.687	63T2	23550-6637	0.625	1.125	0.562
63T2	23550-4648	2.969	3.751	0.687	63T2	23550-6651	2.625	3.751	0.687
63T2	23550-4659	2.187	2.875	0.687	63T2	23550-6662	0.781	1.500	0.562
63T2	23550-4665	2.250	3.250	0.687	63T2	23550-6667	1.500	2.375	0.687
63T2	23550-4670	2.000	2.875	0.687	63T2	23550-6675	1.250	2.250	0.687
63T2	23550-4671	1.750	2.437	0.687	63T2	23550-6688	1.125	1.875	0.687
63T2	23550-4672	1.750	2.500	0.687	63T2	23550-6694	1.000	1.500	0.562
63T2	23550-4693	1.937	2.875	0.687	63T2	23550-6720	0.750	1.250	0.562
63T2	23550-4754	0.750	1.375	0.562	63T2	23550-6745	1.250	2.000	0.687
63T2	23550-4781	0.500	1.375	0.562	63T2	23550-6753	1.687	2.686	0.687
63T2	23550-4818	1.469	2.750	0.687	63T2	23550-6757	2.250	3.500	0.687
63T2	23550-4819	0.937	1.500	0.562	63T2	23550-6774	1.375	2.250	0.687
63T2	23550-4844	2.500	3.543	0.687	63T2	23550-6832	1.750	2.750	0.687
63T2	23550-4866	2.000	3.246	0.687	63T2	23550-6856	0.625	1.375	0.562
63T2	23550-4958	2.312	3.250	0.687	63T2	23550-6857	1.125	1.750	0.687

All dimensions are in inches. Preferred sizes are indicated with **bold** type face.
 Sizes listed are for standard nitrile elements, except Models 25 and 62 which have PTFE elements. Other material available on inquiry only.

Oil Seals by Model Number

Garlock

MODEL NO	PART NO	SHAFT	BORE	WIDTH	MODEL NO	PART NO	SHAFT	BORE	WIDTH
63T2	23550-6860	1.625	2.500	0.687	64	21238-1451	24.803	26.378	0.750
63T2	23550-6904	2.000	3.000	0.594	64	21238-1692	9.750	11.125	0.562
63T2	23550-6929	2.156	3.372	0.687	64	21238-1705	8.500	9.750	0.562
63T2	23550-6934	1.687	2.625	0.688	64	21238-1914	51.250	53.300	0.875
63T2	23550-6937	1.500	2.250	0.687	64	21238-1915	22.437	24.437	0.875
63T2	23550-6971	0.594	1.375	0.562	64	21238-1929	16.535	18.504	0.875
63T2	23550-6977	0.750	1.625	0.562	64	21238-1964	40.500	43.020	0.875
63T2	23550-6995	2.250	3.125	0.687	64	21238-2394	22.047	24.016	0.875
63T2	23550-7044	1.625	2.437	0.687	64	21238-2576	22.375	24.375	0.875
63T2	23550-7130	1.562	2.686	0.687	64	21238-2622	14.875	16.875	0.937
63T2	23550-7146	0.250	0.750	0.469	64	21238-2736	8.625	10.260	0.687
63T2	23550-7150	0.625	1.250	0.562	64	21238-2812	8.750	10.875	0.812
63T2	23550-7153	3.000	3.876	0.687	64	21238-3135	11.000	12.250	0.562
63T2	23550-7160	2.125	3.125	0.687	64	21238-3145	9.500	10.750	0.562
63T2	23550-7167	2.437	3.751	0.687	64	21238-3669	10.000	12.250	0.813
63T2	23550-7184	0.750	1.500	0.562	64	21238-3699	11.125	13.000	0.687
63T2	23550-7186	1.000	2.000	0.687	64	21238-3700	11.125	13.250	0.813
63T2	23550-7187	2.625	3.500	0.687	64	21238-3701	12.000	13.750	0.688
63T2	23550-7197	3.000	4.003	0.687	64	21238-3702	12.000	14.750	0.813
63T2	23550-7223	1.937	2.625	0.687	64	21238-3716	12.625	14.500	0.687
63T2	23550-7226	1.437	2.437	0.687	64	21238-3720	11.000	12.250	0.687
63T2	23550-7261	1.562	2.783	0.687	64	21238-3744	16.750	18.250	0.687
63T2	23550-7299	0.687	1.125	0.562	64	21238-3748	16.750	19.000	0.812
63T2	23550-7405	0.669	1.575	0.562	64	21238-3750	17.000	19.500	0.812
63T2	23550-7563	2.000	2.750	0.687	64	21238-3751	17.250	18.750	0.687
63T2	23550-7564	2.500	3.250	0.687	64	21238-3752	18.000	20.500	0.875
63T2	23550-7569	1.687	2.375	0.687	64	21238-3753	18.000	21.000	0.875
63T2	23550-7595	1.250	1.984	0.687	64	21238-3754	18.120	20.500	0.875
63T2	23550-7722	2.937	4.125	0.719	64	21238-3756	18.125	20.500	0.875
63T2	23550-8187	1.187	1.875	0.687	64	21238-3757	18.250	19.750	0.687
63T2	23550-8266	1.625	2.875	0.687	64	21238-3763	22.000	24.250	0.875
63T2	23550-8267	0.562	1.375	0.562	64	21238-3764	22.250	24.250	0.875
63T2	23550-8562	0.781	1.250	0.562	64	21238-3765	18.250	19.875	0.687
63T2	23550-8732	1.875	3.000	0.687	64	21238-3767	18.375	20.500	0.750
63T2	23550-9122	1.437	2.125	0.687	64	21238-3768	18.500	20.000	0.687
63T2	23550-9381	1.312	2.106	0.687	64	21238-3770	24.250	26.250	1.000
63T2	23550-9551	1.281	2.497	0.687	64	21238-3772	18.500	20.250	0.687
63T2	23550-9654	3.000	3.937	0.687	64	21238-3773	19.000	21.500	0.875
63T2	23550-9748	1.187	1.828	0.687	64	21238-3774	25.000	27.000	0.875
63T2	23550-9844	2.250	3.372	0.687	64	21238-3777	19.250	21.000	0.750
63TB	23549-6551	1.500	2.500	0.687	64	21238-3779	19.500	21.000	0.750
63TB	23549-6674	1.250	2.125	0.687	64	21238-3783	19.500	21.688	0.875
63TB	23549-6699	2.187	3.147	0.687	64	21238-3785	19.750	22.250	0.875
63TB	23549-7197	3.000	4.003	0.687	64	21238-3788	19.875	22.000	0.875
63TB	23549-8292	1.875	3.189	0.687	64	21238-3789	19.938	21.500	0.750
63TB	23549-9844	2.250	3.372	0.687	64	21238-3790	20.000	22.500	0.875
63TF	23735-4665	2.250	3.250	0.687	64	21238-3791	29.500	31.500	1.000
63TF	23735-6588	2.937	4.003	0.687	64	21238-3792	20.143	22.250	0.875
64	21238-0569	21.500	23.750	0.875	64	21238-3797	30.000	32.500	1.000
64	21238-0586	43.504	45.669	0.984	64	21238-3831	34.750	36.750	0.875
64	21238-1073	39.370	41.338	0.875	64	21238-3835	35.000	37.000	0.875
64	21238-1299	6.125	7.625	0.687	64	21238-3836	35.000	37.500	0.875

All dimensions are in inches. Preferred sizes are indicated with **bold** type face.

Sizes listed are for standard nitrile elements, except Models 25 and 62 which have PTFE elements. Other material available on inquiry only.

Garlock

Oil Seals by Model Number

MODEL NO	PART NO	SHAFT	BORE	WIDTH	MODEL NO	PART NO	SHAFT	BORE	WIDTH
64	21238-3837	35.000	38.000	0.875	64	21238-4072	12.000	14.000	0.812
64	21238-3847	37.437	39.500	0.875	64	21238-4075	12.250	14.250	0.812
64	21238-3855	14.250	16.500	0.812	64	21238-4076	12.375	13.875	0.687
64	21238-3856	14.625	16.250	0.687	64	21238-4079	12.500	14.000	0.687
64	21238-3857	14.625	16.750	0.812	64	21238-4081	12.625	14.125	0.687
64	21238-3858	14.875	16.500	0.687	64	21238-4082	12.500	14.500	0.750
64	21238-3859	14.875	16.750	0.687	64	21238-4083	12.500	14.500	0.812
64	21238-3860	14.875	17.000	0.812	64	21238-4084	12.500	15.000	0.813
64	21238-3861	14.906	17.000	0.812	64	21238-4089	12.750	14.250	0.687
64	21238-3862	15.000	17.750	0.812	64	21238-4092	12.750	15.000	0.813
64	21238-3878	28.000	30.500	0.875	64	21238-4093	13.000	14.500	0.687
64	21238-3921	8.000	9.500	0.687	64	21238-4096	13.000	14.875	0.687
64	21238-3933	8.375	9.875	0.687	64	21238-4097	12.375	14.375	0.687
64	21238-3938	8.500	10.500	0.812	64	21238-4099	13.000	15.000	0.812
64	21238-3939	8.625	10.125	0.687	64	21238-4101	13.250	14.750	0.687
64	21238-3946	8.750	10.250	0.687	64	21238-4105	13.250	15.125	0.687
64	21238-3952	8.750	10.750	0.812	64	21238-4106	12.375	14.500	0.813
64	21238-3953	8.875	10.875	0.812	64	21238-4108	13.813	16.000	0.812
64	21238-3954	9.000	10.500	0.687	64	21238-4110	13.875	16.000	0.812
64	21238-3955	9.000	11.000	0.812	64	21238-4111	13.938	15.500	0.687
64	21238-3957	9.125	10.625	0.687	64	21238-4112	13.938	16.000	0.687
64	21238-3962	9.125	11.125	0.812	64	21238-4118	14.250	15.750	0.687
64	21238-3963	9.250	10.750	0.687	64	21238-4119	13.750	16.000	0.813
64	21238-3981	9.500	11.250	0.750	64	21238-4121	13.500	15.000	0.687
64	21238-3984	9.500	11.500	0.812	64	21238-4123	13.500	15.750	0.813
64	21238-3985	9.750	11.250	0.687	64	21238-4124	13.500	15.250	0.750
64	21238-3992	10.000	11.500	0.687	64	21238-4128	13.500	15.500	0.812
64	21238-3994	10.000	11.750	0.750	64	21238-4129	13.750	15.750	0.812
64	21238-3997	10.000	12.000	0.812	64	21238-4130	13.937	15.437	0.687
64	21238-3998	10.000	12.000	0.875	64	21238-4131	14.000	15.500	0.687
64	21238-3999	10.125	11.625	0.687	64	21238-4134	14.000	15.750	0.750
64	21238-4004	10.250	11.750	0.687	64	21238-4135	14.000	16.000	0.812
64	21238-4009	10.250	12.250	0.812	64	21238-4140	14.250	16.250	0.812
64	21238-4011	10.500	12.000	0.687	64	21238-4142	14.500	16.000	0.687
64	21238-4015	10.250	12.500	0.813	64	21238-4145	14.500	16.500	0.812
64	21238-4017	10.500	12.500	0.812	64	21238-4147	14.750	16.250	0.687
64	21238-4022	10.750	13.000	0.813	64	21238-4151	15.000	16.500	0.687
64	21238-4023	10.750	12.250	0.687	64	21238-4156	15.000	17.000	0.812
64	21238-4026	10.750	13.250	0.813	64	21238-4158	15.312	16.875	0.687
64	21238-4027	10.875	12.375	0.687	64	21238-4159	15.375	17.375	0.812
64	21238-4028	10.875	12.500	0.687	64	21238-4163	15.500	17.500	0.812
64	21238-4031	10.750	12.750	0.812	64	21238-4166	15.359	17.717	0.687
64	21238-4036	11.000	13.000	0.812	64	21238-4167	15.375	17.250	0.687
64	21238-4039	11.024	13.386	0.813	64	21238-4168	15.500	18.000	0.812
64	21238-4047	11.250	13.250	0.812	64	21238-4169	15.748	17.716	0.687
64	21238-4052	11.375	13.375	0.812	64	21238-4170	15.750	17.250	0.687
64	21238-4055	12.250	14.000	0.687	64	21238-4171	15.750	17.500	0.687
64	21238-4056	12.375	14.000	0.687	64	21238-4172	15.750	18.000	0.812
64	21238-4057	11.500	13.000	0.687	64	21238-4173	16.000	17.625	0.687
64	21238-4063	11.500	13.500	0.812	64	21238-4174	16.250	18.500	0.812
64	21238-4064	11.750	13.250	0.687	64	21238-4175	15.750	18.500	1.000
64	21238-4071	12.000	14.000	0.750	64	21238-4176	15.875	17.875	0.812

All dimensions are in inches. Preferred sizes are indicated with **bold** type face. Sizes listed are for standard nitrile elements, except Models 25 and 62 which have PTFE elements. Other material available on inquiry only.

Oil Seals by Model Number

Garlock

MODEL NO	PART NO	SHAFT	BORE	WIDTH	MODEL NO	PART NO	SHAFT	BORE	WIDTH
64	21238-4177	16.000	17.500	0.687	64	21238-4269	22.000	23.500	0.750
64	21238-4179	16.375	17.875	0.687	64	21238-4270	22.000	24.000	0.875
64	21238-4180	16.000	18.000	0.812	64	21238-4271	22.500	24.000	0.750
64	21238-4181	16.250	17.750	0.687	64	21238-4272	22.500	24.250	0.750
64	21238-4183	16.500	19.000	0.812	64	21238-4273	22.500	24.750	0.875
64	21238-4184	16.250	18.000	0.750	64	21238-4274	22.500	25.000	0.875
64	21238-4186	16.500	18.500	0.812	64	21238-4275	22.437	24.000	0.750
64	21238-4188	17.000	18.500	0.687	64	21238-4276	22.437	24.250	0.750
64	21238-4190	17.000	19.000	0.812	64	21238-4277	23.000	25.375	0.875
64	21238-4191	17.000	19.250	0.812	64	21238-4279	22.500	24.500	0.875
64	21238-4194	17.500	19.000	0.687	64	21238-4281	22.750	24.750	0.875
64	21238-4197	17.500	19.750	0.812	64	21238-4283	23.000	24.500	0.750
64	21238-4198	17.500	19.500	0.687	64	21238-4284	23.000	25.000	0.875
64	21238-4199	17.625	19.250	0.687	64	21238-4285	23.000	25.500	0.875
64	21238-4200	17.750	19.750	0.812	64	21238-4287	23.375	25.375	0.875
64	21238-4203	18.000	19.875	0.687	64	21238-4288	23.500	25.500	0.875
64	21238-4204	17.875	19.875	0.812	64	21238-4290	23.562	25.250	0.750
64	21238-4206	18.000	19.500	0.687	64	21238-4291	23.562	25.375	0.750
64	21238-4209	18.000	20.000	0.750	64	21238-4292	23.625	26.000	0.875
64	21238-4210	18.000	20.000	0.875	64	21238-4293	23.875	26.000	0.875
64	21238-4213	18.375	19.875	0.687	64	21238-4294	24.000	26.000	0.875
64	21238-4215	18.375	20.000	0.750	64	21238-4297	24.000	26.500	0.875
64	21238-4216	18.500	20.500	0.875	64	21238-4299	25.250	27.250	0.750
64	21238-4218	19.000	20.500	0.750	64	21238-4300	25.500	27.000	0.875
64	21238-4219	19.000	21.000	0.875	64	21238-4301	24.250	26.250	0.875
64	21238-4221	19.500	21.500	0.875	64	21238-4302	24.437	26.000	0.750
64	21238-4228	19.750	21.750	0.875	64	21238-4303	25.875	28.000	0.875
64	21238-4233	19.937	21.687	0.625	64	21238-4304	24.437	26.437	0.750
64	21238-4235	20.000	21.500	0.750	64	21238-4305	24.500	26.500	0.875
64	21238-4236	20.000	21.750	0.750	64	21238-4306	25.988	27.625	0.750
64	21238-4237	20.000	22.000	0.875	64	21238-4307	26.375	28.188	0.875
64	21238-4239	20.250	21.750	0.750	64	21238-4308	25.000	26.500	0.750
64	21238-4240	20.250	22.250	0.875	64	21238-4309	25.000	27.000	1.000
64	21238-4241	20.250	22.375	0.750	64	21238-4311	25.187	26.875	0.750
64	21238-4242	20.438	22.500	0.812	64	21238-4312	26.375	28.250	0.875
64	21238-4243	20.750	23.000	0.812	64	21238-4313	26.500	28.500	0.875
64	21238-4244	20.866	22.836	0.812	64	21238-4315	27.500	29.000	0.750
64	21238-4245	20.500	22.250	0.812	64	21238-4316	28.000	29.813	0.750
64	21238-4246	20.500	22.500	0.875	64	21238-4318	25.500	27.500	0.875
64	21238-4248	20.750	22.750	0.875	64	21238-4320	28.000	30.250	0.812
64	21238-4250	20.875	22.875	0.875	64	21238-4322	29.500	32.250	0.875
64	21238-4251	21.000	23.250	0.812	64	21238-4323	30.000	32.250	0.875
64	21238-4253	21.000	23.000	0.875	64	21238-4325	26.000	28.000	0.875
64	21238-4254	21.250	23.250	0.875	64	21238-4326	33.000	35.250	0.875
64	21238-4257	21.500	23.250	0.750	64	21238-4327	33.500	36.250	0.875
64	21238-4259	21.500	23.500	0.875	64	21238-4328	33.625	35.625	0.875
64	21238-4260	21.750	24.500	0.875	64	21238-4330	26.125	28.125	0.875
64	21238-4261	21.625	23.375	0.750	64	21238-4333	27.000	29.000	0.875
64	21238-4262	21.750	24.750	0.875	64	21238-4335	34.250	36.750	0.875
64	21238-4263	21.625	23.625	0.875	64	21238-4338	34.500	37.500	0.875
64	21238-4265	21.750	23.750	0.875	64	21238-4339	27.500	29.500	0.875
64	21238-4268	22.375	24.250	0.750	64	21238-4340	38.000	41.000	0.875

All dimensions are in inches. Preferred sizes are indicated with **bold** type face.

Sizes listed are for standard nitrile elements, except Models 25 and 62 which have PTFE elements. Other material available on inquiry only.

Garlock

Oil Seals by Model Number

MODEL NO	PART NO	SHAFT	BORE	WIDTH	MODEL NO	PART NO	SHAFT	BORE	WIDTH
64	21238-4341	27.875	29.812	0.875	64	21238-4534	28.500	31.000	0.875
64	21238-4342	38.358	40.750	0.875	64	21238-4537	29.000	32.000	0.875
64	21238-4343	28.000	29.500	0.750	64	21238-4538	29.500	32.000	0.875
64	21238-4344	28.000	30.000	0.875	64	21238-4539	29.500	32.500	0.875
64	21238-4346	28.500	30.500	0.875	64	21238-4540	31.000	33.500	0.875
64	21238-4347	29.000	30.500	0.750	64	21238-4541	31.000	34.000	0.875
64	21238-4348	29.000	31.000	0.875	64	21238-4542	32.750	34.250	0.750
64	21238-4349	38.500	41.000	0.875	64	21238-4544	33.000	35.500	0.875
64	21238-4350	39.000	41.500	0.875	64	21238-4548	33.500	35.625	0.875
64	21238-4352	29.500	31.500	0.875	64	21238-4549	33.500	35.750	0.875
64	21238-4356	30.000	31.500	0.750	64	21238-4550	33.500	36.000	0.875
64	21238-4357	30.000	32.000	0.875	64	21238-4552	33.500	36.417	0.875
64	21238-4358	30.000	32.500	0.875	64	21238-4553	35.500	37.500	0.875
64	21238-4359	30.000	32.750	0.875	64	21238-4563	44.500	46.000	0.750
64	21238-4360	30.000	33.000	0.875	64	21238-4567	38.250	40.750	0.875
64	21238-4361	30.312	32.375	0.875	64	21238-4569	38.250	41.250	0.875
64	21238-4365	30.500	32.500	0.875	64	21238-4570	38.750	41.000	0.875
64	21238-4367	31.000	33.000	0.875	64	21238-4577	39.000	42.250	0.875
64	21238-4371	32.125	34.125	0.875	64	21238-4578	46.500	48.500	0.875
64	21238-4373	32.312	34.500	0.875	64	21238-4610	9.375	11.375	0.812
64	21238-4377	32.500	34.500	0.875	64	21238-4611	11.000	12.500	0.687
64	21238-4381	33.000	34.500	0.750	64	21238-4612	12.000	13.500	0.687
64	21238-4382	33.000	35.000	0.875	64	21238-4613	12.250	13.750	0.687
64	21238-4389	33.500	35.500	0.875	64	21238-4615	15.250	16.750	0.687
64	21238-4399	34.000	36.000	0.875	64	21238-4617	19.250	20.750	0.750
64	21238-4401	34.250	36.250	0.875	64	21238-4619	20.500	22.000	0.750
64	21238-4405	34.500	36.500	0.875	64	21238-4621	21.750	23.250	0.750
64	21238-4416	35.250	37.250	0.875	64	21238-4623	24.000	25.500	0.750
64	21238-4417	35.375	37.375	0.875	64	21238-4626	27.250	29.250	0.875
64	21238-4421	36.000	38.000	0.875	64	21238-4628	28.750	30.750	0.875
64	21238-4429	36.500	38.000	0.750	64	21238-4631	31.250	32.750	0.750
64	21238-4430	36.500	38.500	0.875	64	21238-4632	32.000	34.000	0.875
64	21238-4432	36.750	38.750	0.875	64	21238-4635	41.500	43.500	0.875
64	21238-4434	37.000	39.000	0.875	64	21238-4637	43.500	45.500	0.875
64	21238-4436	37.250	39.250	0.875	64	21238-4638	43.750	45.750	0.875
64	21238-4438	37.500	39.500	0.875	64	21238-4639	48.250	50.250	0.875
64	21238-4448	38.000	40.000	0.875	64	21238-4647	35.250	38.250	0.812
64	21238-4454	38.250	40.250	0.875	64	21238-4779	13.250	15.250	0.812
64	21238-4456	38.750	40.750	0.875	64	21238-4794	26.000	28.500	0.875
64	21238-4462	38.937	41.000	0.875	64	21238-4906	30.250	32.500	0.875
64	21238-4465	39.000	41.000	0.875	64	21238-4979	64.409	66.929	0.866
64	21238-4467	40.000	42.000	0.875	64	21238-5000	30.000	31.616	0.750
64	21238-4468	40.500	42.500	0.875	64	21238-5001	27.625	29.625	0.750
64	21238-4473	42.500	45.000	0.875	64	21238-5016	31.750	33.750	0.875
64	21238-4475	44.000	46.500	0.875	64	21238-5033	31.250	33.250	0.750
64	21238-4476	15.250	17.250	0.812	64	21238-5054	17.500	19.250	0.687
64	21238-4499	8.250	10.250	0.812	64	21238-5077	16.000	18.000	0.875
64	21238-4500	8.375	10.375	0.812	64	21238-5259	21.000	22.500	0.750
64	21238-4527	11.250	12.750	0.687	64	21238-5276	21.750	24.000	0.875
64	21238-4529	13.750	15.250	0.687	64	21238-5312	21.000	22.750	0.750
64	21238-4531	13.750	15.500	0.750	64	21238-5382	14.000	16.250	0.812
64	21238-4533	26.500	28.000	0.750	64	21238-5404	12.875	15.000	0.812

All dimensions are in inches. Preferred sizes are indicated with **bold** type face. Sizes listed are for standard nitrile elements, except Models 25 and 62 which have PTFE elements. Other material available on inquiry only.

Oil Seals by Model Number

Garlock

MODEL NO	PART NO	SHAFT	BORE	WIDTH	MODEL NO	PART NO	SHAFT	BORE	WIDTH
64	21238-5421	23.000	24.750	0.750	64	21238-7300	40.500	43.000	0.875
64	21238-5481	14.375	16.000	0.687	64	21238-7328	36.750	39.250	0.875
64	21238-5482	59.000	61.000	0.875	64	21238-7391	11.024	12.598	0.787
64	21238-5485	19.250	21.250	0.750	64	21238-7393	21.260	23.228	0.984
64	21238-5547	23.500	25.250	0.750	64	21238-7400	19.750	22.125	0.875
64	21238-5555	42.500	44.250	0.875	64	21238-7407	21.500	23.500	0.812
64	21238-5644	24.000	27.000	0.875	64	21238-7428	36.750	39.250	0.875
64	21238-5728	18.000	19.750	0.687	64	21238-7535	14.000	16.500	0.812
64	21238-5739	31.000	32.500	0.750	64	21238-7537	32.125	34.625	0.875
64	21238-5838	12.000	14.000	0.687	64	21238-7538	39.750	42.250	0.875
64	21238-5921	26.000	27.625	0.750	64	21238-7652	12.750	14.750	0.687
64	21238-5989	10.125	11.750	0.687	64	21238-7718	8.625	10.750	0.812
64	21238-5990	14.750	16.500	0.687	64	21238-7734	13.250	14.875	0.687
64	21238-5991	14.000	15.750	0.687	64	21238-7769	10.630	12.126	0.687
64	21238-5992	15.312	17.312	0.687	64	21238-7770	36.220	37.717	0.750
64	21238-5994	25.187	26.937	0.750	64	21238-7828	28.000	29.625	0.750
64	21238-5995	16.000	18.500	0.812	64	21238-7870	30.000	31.625	0.750
64	21238-5997	25.000	27.500	0.875	64	21238-8031	27.000	29.500	0.875
64	21238-5998	28.000	31.000	0.875	64	21238-8198	50.000	52.000	0.875
64	21238-6034	11.000	13.000	0.687	64	21238-8217	16.250	18.000	0.687
64	21238-6152	33.000	34.687	0.750	64	21238-8230	30.500	33.500	0.875
64	21238-6239	23.750	25.250	1.000	64	21238-8231	20.250	22.245	0.875
64	21238-6269	42.500	45.500	0.875	64	21238-8289	32.750	35.000	0.875
64	21238-6287	20.500	22.750	0.875	64	21238-8317	46.850	48.819	0.875
64	21238-6293	24.000	26.250	0.875	64	21238-8407	32.000	34.500	0.875
64	21238-6294	13.250	15.250	0.687	64	21238-8453	8.500	10.000	0.687
64	21238-6295	22.000	24.500	0.875	64	21238-8508	15.000	17.250	0.812
64	21238-6384	8.500	9.750	0.652	64	21238-8523	12.000	13.625	0.687
64	21238-6417	20.875	23.228	0.875	64	21238-8557	63.327	65.748	0.787
64	21238-6421	25.000	27.250	0.875	64	21238-8577	30.500	33.000	0.875
64	21238-6480	22.437	24.437	0.750	64	21238-8579	48.000	50.000	0.875
64	21238-6493	21.500	23.625	0.875	64	21238-8594	54.331	56.693	0.984
64	21238-6535	21.000	23.000	0.812	64	21238-8599	40.000	42.500	1.000
64	21238-6740	18.375	20.375	0.812	64	21238-8622	61.024	63.386	0.984
64	21238-6747	51.250	53.250	0.875	64	21238-8624	23.622	25.197	0.787
64	21238-6771	15.500	17.750	0.812	64	21238-8628	41.875	43.500	1.000
64	21238-6779	21.500	24.000	0.875	64	21238-8675	21.750	24.250	0.875
64	21238-6787	33.000	34.625	0.750	64	21238-8765	9.134	10.625	0.687
64	21238-6843	22.750	25.000	0.875	64	21238-8770	20.250	22.500	0.875
64	21238-6850	17.625	19.625	0.687	64	21238-8778	11.250	13.250	0.687
64	21238-6874	15.750	17.750	0.687	64	21238-8791	40.000	42.500	0.875
64	21238-6908	34.500	36.000	0.750	64	21238-8793	29.000	31.500	1.000
64	21238-6910	23.250	25.250	0.812	64	21238-8903	45.000	46.625	1.000
64	21238-6967	17.250	18.750	0.750	64	21238-9010	74.409	76.929	0.984
64	21238-6998	25.750	27.250	0.750	64	21238-9082	22.000	24.250	0.812
64	21238-7065	53.150	55.669	0.866	64	21238-9084	17.750	20.078	0.875
64	21238-7087	44.000	46.000	0.875	64	21238-9176	7.875	9.375	0.687
64	21238-7103	18.375	19.937	0.687	64	21238-9271	15.750	17.312	0.687
64	21238-7169	13.250	15.000	0.687	64	21238-9280	14.187	16.732	0.812
64	21238-7189	43.000	45.500	0.875	64	21238-9402	26.000	28.125	0.875
64	21238-7266	22.047	24.016	0.787	64	21238-9411	37.500	39.000	0.750
64	21238-7281	18.897	20.472	0.787	64	21238-9425	9.750	11.750	0.687

All dimensions are in inches. Preferred sizes are indicated with **bold** type face.

Sizes listed are for standard nitrile elements, except Models 25 and 62 which have PTFE elements. Other material available on inquiry only.

Garlock

Oil Seals by Model Number

MODEL NO	PART NO	SHAFT	BORE	WIDTH	MODEL NO	PART NO	SHAFT	BORE	WIDTH
64	21238-9504	33.500	35.000	0.875	66	21527-0355	1.125	1.828	0.375
64	21238-9637	15.000	17.500	0.812	66	21527-0357	1.125	1.875	0.375
64	21238-9695	16.937	19.291	0.812	66	21527-0359	1.125	2.000	0.375
64	21238-9706	9.250	11.250	0.687	66	21527-0361	1.125	2.062	0.375
64	21238-9712	8.125	10.125	0.687	66	21527-0383	1.187	1.875	0.375
64	21238-9766	12.687	14.750	0.812	66	21527-0385	1.187	1.984	0.375
64	21238-9772	21.000	23.500	0.875	66	21527-0387	1.187	2.000	0.375
64	21238-9840	22.437	24.500	0.750	66	21527-0389	1.187	2.062	0.375
64	21238-9863	16.500	18.000	0.687	66	21527-0394	1.187	2.125	0.375
64	21238-9892	16.250	18.250	0.687	66	21527-0397	1.187	2.250	0.375
64	21238-9893	20.625	22.625	0.812	66	21527-0424	1.250	1.984	0.375
64	21238-9911	8.750	10.500	0.687	66	21527-0427	1.250	2.000	0.375
64	21238-9984	27.000	30.000	0.875	66	21527-0430	1.250	2.062	0.375
66	21527-0015	0.375	0.875	0.250	66	21527-0436	1.250	2.125	0.375
66	21527-0035	0.438	0.875	0.312	66	21527-0439	1.250	2.250	0.375
66	21527-0139	0.750	1.250	0.312	66	21527-0442	1.250	2.375	0.375
66	21527-0141	0.750	1.375	0.312	66	21527-0445	1.250	2.437	0.375
66	21527-0143	0.750	1.500	0.312	66	21527-0448	1.281	1.984	0.375
66	21527-0145	0.750	1.575	0.312	66	21527-0451	1.281	2.000	0.375
66	21527-0147	0.750	1.625	0.312	66	21527-0535	1.375	2.062	0.375
66	21527-0149	0.750	1.750	0.375	66	21527-0541	1.375	2.125	0.375
66	21527-0151	0.750	1.828	0.375	66	21527-0544	1.375	2.250	0.375
66	21527-0153	0.750	1.875	0.375	66	21527-0547	1.375	2.375	0.375
66	21527-0155	0.750	1.984	0.375	66	21527-0550	1.375	2.437	0.375
66	21527-0213	0.875	1.375	0.312	66	21527-0553	1.375	2.497	0.375
66	21527-0215	0.875	1.500	0.312	66	21527-0556	1.375	2.500	0.375
66	21527-0217	0.875	1.575	0.312	66	21527-0559	1.375	2.625	0.375
66	21527-0219	0.875	1.625	0.312	66	21527-0592	1.437	2.125	0.375
66	21527-0221	0.875	1.750	0.375	66	21527-0595	1.437	2.250	0.375
66	21527-0223	0.875	1.828	0.375	66	21527-0598	1.437	2.375	0.375
66	21527-0225	0.875	1.875	0.375	66	21527-0601	1.437	2.437	0.375
66	21527-0227	0.875	1.984	0.375	66	21527-0604	1.437	2.497	0.375
66	21527-0229	0.875	2.000	0.375	66	21527-0643	1.500	2.250	0.375
66	21527-0231	0.875	2.062	0.375	66	21527-0646	1.500	2.375	0.375
66	21527-0251	0.938	1.500	0.312	66	21527-0649	1.500	2.437	0.375
66	21527-0321	1.062	1.575	0.312	66	21527-0652	1.500	2.497	0.375
66	21527-0323	1.062	1.625	0.312	66	21527-0655	1.500	2.500	0.375
66	21527-0325	1.062	1.750	0.375	66	21527-0700	1.562	2.250	0.375
66	21527-0327	1.062	1.828	0.375	66	21527-0703	1.562	2.375	0.375
66	21527-0329	1.062	1.875	0.375	66	21527-0706	1.562	2.437	0.375
66	21527-0331	1.062	1.984	0.375	66	21527-0709	1.562	2.497	0.375
66	21527-0333	1.062	2.000	0.375	66	21527-0712	1.562	2.500	0.375
66	21527-0335	1.062	2.062	0.375	66	21527-0715	1.562	2.625	0.375
66	21527-0336	1.062	2.062	0.437	66	21527-0718	1.562	2.686	0.375
66	21527-0337	1.093	1.625	0.312	66	21527-0721	1.562	2.750	0.375
66	21527-0339	1.093	1.750	0.375	66	21527-0724	1.562	2.756	0.375
66	21527-0341	1.093	1.828	0.375	66	21527-0727	1.562	2.783	0.375
66	21527-0347	1.093	2.000	0.375	66	21527-0739	1.594	2.500	0.375
66	21527-0349	1.093	2.062	0.375	66	21527-0760	1.625	2.375	0.375
66	21527-0351	1.125	1.625	0.312	66	21527-0763	1.625	2.437	0.375
66	21527-0352	1.125	1.625	0.375	66	21527-0766	1.625	2.497	0.375
66	21527-0353	1.125	1.750	0.375	66	21527-0769	1.625	2.500	0.375

All dimensions are in inches. Preferred sizes are indicated with **bold** type face. Sizes listed are for standard nitrile elements, except Models 25 and 62 which have PTFE elements. Other material available on inquiry only.

Oil Seals by Model Number

Garlock

MODEL NO	PART NO	SHAFT	BORE	WIDTH	MODEL NO	PART NO	SHAFT	BORE	WIDTH
66	21527-0772	1.625	2.625	0.375	66	21527-1135	1.937	3.000	0.375
66	21527-0775	1.625	2.686	0.375	66	21527-1138	1.937	3.062	0.375
66	21527-0778	1.625	2.750	0.375	66	21527-1141	1.937	3.125	0.375
66	21527-0781	1.625	2.756	0.375	66	21527-1144	1.937	3.147	0.375
66	21527-0784	1.625	2.783	0.375	66	21527-1147	1.937	3.189	0.375
66	21527-0787	1.625	2.875	0.375	66	21527-1150	1.969	2.686	0.375
66	21527-0826	1.687	2.375	0.375	66	21527-1153	1.969	2.750	0.375
66	21527-0829	1.687	2.437	0.375	66	21527-1156	1.969	2.756	0.375
66	21527-0832	1.687	2.497	0.375	66	21527-1162	1.969	2.875	0.375
66	21527-0835	1.687	2.500	0.375	66	21527-1168	1.969	3.000	0.375
66	21527-0838	1.687	2.625	0.375	66	21527-1174	1.969	3.125	0.375
66	21527-0841	1.687	2.686	0.375	66	21527-1177	1.969	3.147	0.375
66	21527-0844	1.687	2.750	0.375	66	21527-1180	1.969	3.189	0.375
66	21527-0847	1.687	2.756	0.375	66	21527-1183	1.969	3.246	0.375
66	21527-0853	1.687	2.875	0.375	66	21527-1186	2.000	2.686	0.375
66	21527-0859	1.687	3.000	0.375	66	21527-1189	2.000	2.750	0.375
66	21527-0898	1.750	2.437	0.375	66	21527-1192	2.000	2.756	0.375
66	21527-0901	1.750	2.497	0.375	66	21527-1195	2.000	2.783	0.375
66	21527-0904	1.750	2.500	0.375	66	21527-1198	2.000	2.875	0.375
66	21527-0907	1.750	2.625	0.375	66	21527-1201	2.000	2.997	0.375
66	21527-0910	1.750	2.686	0.375	66	21527-1204	2.000	3.000	0.375
66	21527-0913	1.750	2.750	0.375	66	21527-1207	2.000	3.062	0.375
66	21527-0916	1.750	2.756	0.375	66	21527-1210	2.000	3.125	0.375
66	21527-0919	1.750	2.783	0.375	66	21527-1213	2.000	3.147	0.375
66	21527-0922	1.750	2.875	0.375	66	21527-1216	2.000	3.189	0.375
66	21527-0925	1.750	2.997	0.375	66	21527-1219	2.000	3.246	0.375
66	21527-0928	1.750	3.000	0.375	66	21527-1252	2.062	2.875	0.375
66	21527-0931	1.750	3.062	0.375	66	21527-1255	2.062	2.997	0.375
66	21527-0934	1.781	2.497	0.375	66	21527-1258	2.062	3.000	0.375
66	21527-0937	1.781	2.500	0.375	66	21527-1261	2.062	3.062	0.375
66	21527-0940	1.781	2.625	0.375	66	21527-1264	2.062	3.125	0.375
66	21527-0946	1.781	2.750	0.375	66	21527-1267	2.062	3.147	0.375
66	21527-0955	1.781	2.875	0.375	66	21527-1270	2.062	3.189	0.375
66	21527-0964	1.781	3.062	0.375	66	21527-1276	2.062	3.250	0.375
66	21527-0967	1.781	3.125	0.375	66	21527-1279	2.062	3.350	0.375
66	21527-1042	1.875	2.625	0.375	66	21527-1321	2.125	2.875	0.375
66	21527-1045	1.875	2.686	0.375	66	21527-1324	2.125	2.997	0.375
66	21527-1048	1.875	2.750	0.375	66	21527-1327	2.125	3.000	0.375
66	21527-1051	1.875	2.756	0.375	66	21527-1330	2.125	3.062	0.375
66	21527-1054	1.875	2.783	0.375	66	21527-1333	2.125	3.125	0.375
66	21527-1057	1.875	2.875	0.375	66	21527-1336	2.125	3.147	0.375
66	21527-1060	1.875	2.997	0.375	66	21527-1339	2.125	3.189	0.375
66	21527-1063	1.875	3.000	0.375	66	21527-1345	2.125	3.250	0.375
66	21527-1066	1.875	3.062	0.375	66	21527-1348	2.125	3.350	0.375
66	21527-1069	1.875	3.125	0.375	66	21527-1351	2.125	3.372	0.375
66	21527-1075	1.875	3.189	0.375	66	21527-1357	2.125	3.500	0.375
66	21527-1114	1.937	2.625	0.375	66	21527-1402	2.187	3.000	0.375
66	21527-1117	1.937	2.686	0.375	66	21527-1405	2.187	3.062	0.375
66	21527-1120	1.937	2.750	0.375	66	21527-1408	2.187	3.125	0.375
66	21527-1123	1.937	2.756	0.375	66	21527-1411	2.187	3.147	0.375
66	21527-1129	1.937	2.875	0.375	66	21527-1414	2.187	3.189	0.375
66	21527-1132	1.937	2.997	0.375	66	21527-1417	2.187	3.246	0.437

All dimensions are in inches. Preferred sizes are indicated with **bold** type face.

Sizes listed are for standard nitrile elements, except Models 25 and 62 which have PTFE elements. Other material available on inquiry only.

Garlock

Oil Seals by Model Number

MODEL NO	PART NO	SHAFT	BORE	WIDTH	MODEL NO	PART NO	SHAFT	BORE	WIDTH
66	21527-1420	2.187	3.250	0.375	66	21527-1951	2.625	3.876	0.375
66	21527-1423	2.187	3.350	0.375	66	21527-1954	2.625	4.003	0.375
66	21527-1426	2.187	3.372	0.375	66	21527-2011	2.719	3.481	0.375
66	21527-1429	2.187	3.481	0.375	66	21527-2014	2.719	3.500	0.375
66	21527-1432	2.187	3.500	0.375	66	21527-2020	2.719	3.623	0.375
66	21527-1471	2.250	2.997	0.375	66	21527-2023	2.719	3.751	0.375
66	21527-1474	2.250	3.000	0.375	66	21527-2029	2.719	4.003	0.375
66	21527-1477	2.250	3.062	0.375	66	21527-2032	2.750	3.481	0.375
66	21527-1480	2.250	3.125	0.375	66	21527-2035	2.750	3.500	0.375
66	21527-1483	2.250	3.147	0.375	66	21527-2037	2.750	3.500	0.500
66	21527-1486	2.250	3.189	0.375	66	21527-2038	2.750	3.543	0.375
66	21527-1489	2.250	3.246	0.375	66	21527-2041	2.750	3.623	0.375
66	21527-1492	2.250	3.250	0.375	66	21527-2044	2.750	3.751	0.375
66	21527-1495	2.250	3.350	0.375	66	21527-2047	2.750	3.876	0.375
66	21527-1498	2.250	3.372	0.375	66	21527-2050	2.750	4.003	0.375
66	21527-1501	2.250	3.481	0.375	66	21527-2120	3.000	3.751	0.500
66	21527-1504	2.250	3.500	0.375	66	21527-2168	3.000	3.751	0.375
66	21527-1597	2.344	3.062	0.375	66	21527-2170	3.000	3.751	0.500
66	21527-1639	2.375	3.062	0.375	66	21527-2171	3.000	3.876	0.375
66	21527-1642	2.375	3.125	0.375	66	21527-2173	3.000	3.876	0.500
66	21527-1645	2.375	3.147	0.375	66	21527-2174	3.000	4.003	0.375
66	21527-1648	2.375	3.189	0.375	66	21527-2249	3.187	4.249	0.500
66	21527-1651	2.375	3.246	0.375	66	21527-2252	3.187	4.375	0.500
66	21527-1654	2.375	3.250	0.375	66	21527-2255	3.187	4.500	0.500
66	21527-1656	2.375	3.250	0.500	66	21527-2261	3.187	4.750	0.500
66	21527-1657	2.375	3.350	0.375	66	21527-2264	3.187	4.875	0.500
66	21527-1660	2.375	3.372	0.375	66	21527-2267	3.187	4.999	0.500
66	21527-1663	2.375	3.481	0.375	66	21527-2366	3.500	4.500	0.500
66	21527-1666	2.375	3.500	0.375	66	21527-2369	3.500	4.625	0.500
66	21527-1669	2.375	3.543	0.375	66	21527-2372	3.500	4.750	0.500
66	21527-1672	2.375	3.623	0.375	66	21527-2375	3.500	4.875	0.500
66	21527-1675	2.375	3.751	0.375	66	21527-2378	3.500	4.999	0.500
66	21527-1678	2.375	3.876	0.375	66	21527-2381	3.500	5.125	0.500
66	21527-1801	2.500	3.189	0.375	66	21527-2384	3.500	5.250	0.500
66	21527-1804	2.500	3.246	0.375	66	21527-2387	3.500	5.375	0.500
66	21527-1807	2.500	3.250	0.375	66	21527-2390	3.500	5.500	0.500
66	21527-1810	2.500	3.350	0.375	66	21527-2462	3.750	4.750	0.500
66	21527-1813	2.500	3.372	0.375	66	21527-2465	3.750	4.875	0.500
66	21527-1816	2.500	3.481	0.375	66	21527-2468	3.750	4.999	0.500
66	21527-1819	2.500	3.500	0.375	66	21527-2471	3.750	5.125	0.500
66	21527-1822	2.500	3.543	0.375	66	21527-2474	3.750	5.250	0.500
66	21527-1825	2.500	3.623	0.375	66	21527-2480	3.750	5.500	0.500
66	21527-1828	2.500	3.751	0.375	66	21527-2537	4.000	4.999	0.500
66	21527-1831	2.500	3.876	0.375	66	21527-2540	4.000	5.125	0.500
66	21527-1834	2.500	4.003	0.375	66	21527-2543	4.000	5.250	0.500
66	21527-1930	2.625	3.350	0.375	66	21527-2546	4.000	5.375	0.500
66	21527-1933	2.625	3.372	0.375	66	21527-2549	4.000	5.500	0.500
66	21527-1936	2.625	3.481	0.375	66	21527-2555	4.000	5.750	0.500
66	21527-1939	2.625	3.500	0.375	66	21527-2561	4.000	6.000	0.500
66	21527-1942	2.625	3.543	0.375	66	21527-2564	4.000	6.125	0.500
66	21527-1945	2.625	3.623	0.375	66	21527-2567	4.000	6.250	0.500
66	21527-1948	2.625	3.751	0.375	66	21527-2657	4.250	5.250	0.500

All dimensions are in inches. Preferred sizes are indicated with **bold** type face. Sizes listed are for standard nitrile elements, except Models 25 and 62 which have PTFE elements. Other material available on inquiry only.

Oil Seals by Model Number

Garlock

MODEL NO	PART NO	SHAFT	BORE	WIDTH	MODEL NO	PART NO	SHAFT	BORE	WIDTH
66	21527-2660	4.250	5.375	0.500	66	21527-8347	0.875	1.378	0.312
66	21527-2663	4.250	5.500	0.500	66	21527-8369	2.375	3.150	0.375
66	21527-2729	4.375	6.250	0.500	66	21527-9620	1.750	2.441	0.375
66	21527-2753	4.500	5.500	0.500	66F1	23692-8498	2.250	2.997	0.750
66	21527-2756	4.500	5.625	0.500	66R1	23722-6795	2.250	2.997	0.687
66	21527-2762	4.500	5.875	0.500	66R1	23722-8728	2.500	3.372	0.687
66	21527-2771	4.500	6.250	0.500	66R2	23702-6599	2.875	4.003	0.687
66	21527-2879	4.875	6.250	0.500	66R2	23702-6651	2.625	3.751	0.687
66	21527-3125	5.375	6.500	0.500	66R2	23702-7197	3.000	4.003	0.687
66	21527-3128	5.375	6.625	0.500	66R2	23702-7563	2.000	2.750	0.687
66	21527-3134	5.375	6.875	0.500	66T2	23728-4819	0.937	1.500	0.562
66	21527-3275	5.750	6.750	0.500	66T2	23728-7128	5.750	7.000	0.969
66	21527-3278	5.750	6.875	0.500	66TF	23763-6914	5.875	7.125	0.828
66	21527-3281	5.750	7.000	0.500	67	21528-0050	0.500	1.000	0.375
66	21527-3293	5.750	7.500	0.500	67	21528-0051	0.500	1.125	0.312
66	21527-3319	5.875	7.000	0.500	67	21528-0053	0.500	1.250	0.312
66	21527-3580	7.875	8.875	0.625	67	21528-0055	0.500	1.375	0.312
66	21527-3582	7.875	9.000	0.625	67	21528-0057	0.500	1.500	0.312
66	21527-3584	7.875	9.125	0.625	67	21528-0067	0.562	1.125	0.312
66	21527-3586	7.875	9.250	0.625	67	21528-0069	0.562	1.250	0.312
66	21527-3588	7.875	9.375	0.625	67	21528-0071	0.562	1.375	0.312
66	21527-3865	0.438	1.375	0.312	67	21528-0073	0.562	1.500	0.312
66	21527-3872	1.125	1.984	0.375	67	21528-0075	0.562	1.575	0.312
66	21527-3876	1.187	1.828	0.375	67	21528-0087	0.625	1.125	0.312
66	21527-3877	1.187	2.048	0.375	67	21528-0089	0.625	1.250	0.312
66	21527-3880	1.500	2.441	0.375	67	21528-0091	0.625	1.375	0.312
66	21527-3883	1.562	2.875	0.375	67	21528-0093	0.625	1.500	0.312
66	21527-3888	1.875	3.149	0.375	67	21528-0109	0.687	1.125	0.312
66	21527-3897	2.062	2.783	0.375	67	21528-0111	0.687	1.250	0.312
66	21527-3900	2.125	2.882	0.375	67	21528-0113	0.687	1.375	0.312
66	21527-3904	2.187	2.997	0.375	67	21528-0115	0.687	1.500	0.312
66	21527-4605	0.750	1.375	0.406	67	21528-0117	0.687	1.575	0.312
66	21527-4606	1.750	3.625	0.500	67	21528-0119	0.687	1.625	0.312
66	21527-4640	3.500	4.500	0.469	67	21528-0139	0.750	1.250	0.312
66	21527-4645	1.562	2.561	0.500	67	21528-0140	0.750	1.250	0.375
66	21527-4899	1.750	3.543	0.437	67	21528-0141	0.750	1.375	0.312
66	21527-5502	0.875	1.375	0.406	67	21528-0143	0.750	1.500	0.312
66	21527-6471	2.750	3.750	0.500	67	21528-0147	0.750	1.625	0.312
66	21527-6486	1.562	3.544	0.375	67	21528-0149	0.750	1.750	0.375
66	21527-6656	1.969	2.835	0.375	67	21528-0151	0.750	1.828	0.375
66	21527-6658	1.375	2.441	0.375	67	21528-0153	0.750	1.875	0.375
66	21527-6686	1.562	3.150	0.375	67	21528-0157	0.781	1.250	0.312
66	21527-6724	1.750	3.125	0.375	67	21528-0158	0.781	1.250	0.375
66	21527-7242	1.125	2.125	0.375	67	21528-0159	0.781	1.375	0.312
66	21527-7246	1.125	2.250	0.375	67	21528-0160	0.781	1.375	0.375
66	21527-7249	3.750	5.375	0.500	67	21528-0161	0.781	1.500	0.312
66	21527-7282	1.750	3.189	0.375	67	21528-0165	0.781	1.625	0.312
66	21527-7852	1.250	2.047	0.375	67	21528-0167	0.781	1.750	0.375
66	21527-8033	0.750	1.260	0.312	67	21528-0213	0.875	1.375	0.312
66	21527-8066	1.125	1.654	0.312	67	21528-0215	0.875	1.500	0.312
66	21527-8097	2.000	3.150	0.375	67	21528-0217	0.875	1.575	0.312
66	21527-8258	1.875	3.000	0.562	67	21528-0219	0.875	1.625	0.312

All dimensions are in inches. Preferred sizes are indicated with **bold** type face.

Sizes listed are for standard nitrile elements, except Models 25 and 62 which have PTFE elements. Other material available on inquiry only.

Garlock

Oil Seals by Model Number

MODEL NO	PART NO	SHAFT	BORE	WIDTH	MODEL NO	PART NO	SHAFT	BORE	WIDTH
67	21528-0221	0.875	1.750	0.375	67	21528-1321	2.125	2.875	0.375
67	21528-0223	0.875	1.828	0.375	67	21528-1324	2.125	2.997	0.375
67	21528-0225	0.875	1.875	0.375	67	21528-1327	2.125	3.000	0.375
67	21528-0229	0.875	2.000	0.375	67	21528-1471	2.250	2.997	0.375
67	21528-0231	0.875	2.062	0.375	67	21528-1474	2.250	3.000	0.375
67	21528-0269	0.969	1.500	0.312	67	21528-1492	2.250	3.250	0.375
67	21528-0273	0.969	1.625	0.312	67	21528-1504	2.250	3.500	0.375
67	21528-0275	0.969	1.750	0.375	67	21528-1639	2.375	3.062	0.375
67	21528-0287	1.000	1.500	0.312	67	21528-1654	2.375	3.250	0.375
67	21528-0291	1.000	1.625	0.312	67	21528-1666	2.375	3.500	0.375
67	21528-0293	1.000	1.750	0.375	67	21528-1669	2.375	3.543	0.375
67	21528-0295	1.000	1.828	0.375	67	21528-1801	2.500	3.189	0.375
67	21528-0297	1.000	1.875	0.375	67	21528-1807	2.500	3.250	0.375
67	21528-0300	1.000	1.984	0.437	67	21528-1819	2.500	3.500	0.375
67	21528-0301	1.000	2.000	0.375	67	21528-1822	2.500	3.543	0.375
67	21528-0303	1.000	2.062	0.375	67	21528-1828	2.500	3.751	0.375
67	21528-0351	1.125	1.625	0.312	67	21528-1834	2.500	4.003	0.375
67	21528-0353	1.125	1.750	0.375	67	21528-2032	2.750	3.481	0.375
67	21528-0355	1.125	1.828	0.375	67	21528-2035	2.750	3.500	0.375
67	21528-0357	1.125	1.875	0.375	67	21528-2038	2.750	3.543	0.375
67	21528-0359	1.125	2.000	0.375	67	21528-2041	2.750	3.623	0.375
67	21528-0360	1.125	2.000	0.437	67	21528-2044	2.750	3.751	0.375
67	21528-0361	1.125	2.062	0.375	67	21528-2050	2.750	4.003	0.375
67	21528-0363	1.156	1.875	0.375	67	21528-2168	3.000	3.751	0.375
67	21528-0427	1.250	2.000	0.375	67	21528-2174	3.000	4.003	0.375
67	21528-0535	1.375	2.062	0.375	67	21528-3888	1.875	3.149	0.375
67	21528-0541	1.375	2.125	0.375	67	21528-4584	1.375	2.835	0.375
67	21528-0544	1.375	2.250	0.375	67	21528-5071	0.562	1.378	0.375
67	21528-0547	1.375	2.375	0.375	67	21528-5551	3.250	4.000	0.375
67	21528-0556	1.375	2.500	0.375	67R2	23683-6566	2.500	3.751	0.687
67	21528-0643	1.500	2.250	0.375	67R2	23683-6593	2.125	3.000	0.687
67	21528-0646	1.500	2.375	0.375	67R2	23683-6720	0.750	1.250	0.562
67	21528-0648	1.500	2.375	0.500	67T2	23621-6662	0.781	1.500	0.562
67	21528-0655	1.500	2.500	0.375	67T2	23621-8562	0.781	1.250	0.562
67	21528-0658	1.500	2.625	0.375	68	21823-0051	0.500	1.125	0.312
67	21528-0664	1.500	2.750	0.375	68	21823-0053	0.500	1.250	0.312
67	21528-0700	1.562	2.250	0.375	68	21823-0055	0.500	1.375	0.312
67	21528-0898	1.750	2.437	0.375	68	21823-0057	0.500	1.500	0.312
67	21528-0904	1.750	2.500	0.375	68	21823-0067	0.562	1.125	0.312
67	21528-0913	1.750	2.750	0.375	68	21823-0069	0.562	1.250	0.312
67	21528-0922	1.750	2.875	0.375	68	21823-0071	0.562	1.375	0.312
67	21528-0925	1.750	2.997	0.375	68	21823-0073	0.562	1.500	0.312
67	21528-0928	1.750	3.000	0.375	68	21823-0075	0.562	1.575	0.312
67	21528-1048	1.875	2.750	0.375	68	21823-0087	0.625	1.125	0.312
67	21528-1051	1.875	2.756	0.375	68	21823-0089	0.625	1.250	0.312
67	21528-1057	1.875	2.875	0.375	68	21823-0091	0.625	1.375	0.312
67	21528-1063	1.875	3.000	0.375	68	21823-0093	0.625	1.500	0.312
67	21528-1068	1.875	3.062	0.500	68	21823-0109	0.687	1.125	0.312
67	21528-1186	2.000	2.686	0.375	68	21823-0111	0.687	1.250	0.312
67	21528-1189	2.000	2.750	0.375	68	21823-0113	0.687	1.375	0.312
67	21528-1198	2.000	2.875	0.375	68	21823-0115	0.687	1.500	0.312
67	21528-1204	2.000	3.000	0.375	68	21823-0117	0.687	1.575	0.312

All dimensions are in inches. Preferred sizes are indicated with **bold** type face. Sizes listed are for standard nitrile elements, except Models 25 and 62 which have PTFE elements. Other material available on inquiry only.

Oil Seals by Model Number

Garlock

MODEL NO	PART NO	SHAFT	BORE	WIDTH	MODEL NO	PART NO	SHAFT	BORE	WIDTH
68	21823-0119	0.687	1.625	0.312	68	21823-0658	1.500	2.625	0.375
68	21823-0139	0.750	1.250	0.312	68	21823-0664	1.500	2.750	0.375
68	21823-0140	0.750	1.250	0.375	68	21823-0898	1.750	2.437	0.375
68	21823-0141	0.750	1.375	0.312	68	21823-0904	1.750	2.500	0.375
68	21823-0143	0.750	1.500	0.312	68	21823-0913	1.750	2.750	0.375
68	21823-0147	0.750	1.625	0.312	68	21823-0922	1.750	2.875	0.375
68	21823-0149	0.750	1.750	0.375	68	21823-0928	1.750	3.000	0.375
68	21823-0151	0.750	1.828	0.375	68	21823-1048	1.875	2.750	0.375
68	21823-0153	0.750	1.875	0.375	68	21823-1051	1.875	2.756	0.375
68	21823-0157	0.781	1.250	0.312	68	21823-1057	1.875	2.875	0.375
68	21823-0158	0.781	1.250	0.375	68	21823-1063	1.875	3.000	0.375
68	21823-0159	0.781	1.375	0.312	68	21823-1186	2.000	2.686	0.375
68	21823-0160	0.781	1.375	0.375	68	21823-1189	2.000	2.750	0.375
68	21823-0161	0.781	1.500	0.312	68	21823-1198	2.000	2.875	0.375
68	21823-0165	0.781	1.625	0.312	68	21823-1204	2.000	3.000	0.375
68	21823-0167	0.781	1.750	0.375	68	21823-1321	2.125	2.875	0.375
68	21823-0213	0.875	1.375	0.312	68	21823-1324	2.125	2.997	0.375
68	21823-0215	0.875	1.500	0.312	68	21823-1327	2.125	3.000	0.375
68	21823-0217	0.875	1.575	0.312	68	21823-1471	2.250	2.997	0.375
68	21823-0219	0.875	1.625	0.312	68	21823-1474	2.250	3.000	0.375
68	21823-0221	0.875	1.750	0.375	68	21823-1492	2.250	3.250	0.375
68	21823-0223	0.875	1.828	0.375	68	21823-1504	2.250	3.500	0.375
68	21823-0225	0.875	1.875	0.375	68	21823-1639	2.375	3.062	0.375
68	21823-0229	0.875	2.000	0.375	68	21823-1654	2.375	3.250	0.375
68	21823-0231	0.875	2.062	0.375	68	21823-1666	2.375	3.500	0.375
68	21823-0269	0.969	1.500	0.312	68	21823-1669	2.375	3.543	0.375
68	21823-0273	0.969	1.625	0.312	68	21823-1801	2.500	3.189	0.375
68	21823-0275	0.969	1.750	0.375	68	21823-1804	2.500	3.246	0.375
68	21823-0287	1.000	1.500	0.312	68	21823-1807	2.500	3.250	0.375
68	21823-0291	1.000	1.625	0.312	68	21823-1819	2.500	3.500	0.375
68	21823-0293	1.000	1.750	0.375	68	21823-1822	2.500	3.543	0.375
68	21823-0295	1.000	1.828	0.375	68	21823-1828	2.500	3.751	0.375
68	21823-0297	1.000	1.875	0.375	68	21823-1834	2.500	4.003	0.375
68	21823-0301	1.000	2.000	0.375	68	21823-2032	2.750	3.481	0.375
68	21823-0303	1.000	2.062	0.375	68	21823-2035	2.750	3.500	0.375
68	21823-0351	1.125	1.625	0.312	68	21823-2038	2.750	3.543	0.375
68	21823-0353	1.125	1.750	0.375	68	21823-2041	2.750	3.623	0.375
68	21823-0355	1.125	1.828	0.375	68	21823-2044	2.750	3.751	0.375
68	21823-0357	1.125	1.875	0.375	68	21823-2050	2.750	4.003	0.375
68	21823-0359	1.125	2.000	0.375	68	21823-2168	3.000	3.751	0.375
68	21823-0360	1.125	2.000	0.437	68	21823-2174	3.000	4.003	0.375
68	21823-0361	1.125	2.062	0.375	68	21823-3888	1.875	3.149	0.375
68	21823-0363	1.156	1.875	0.375	68	21823-4584	1.375	2.835	0.375
68	21823-0535	1.375	2.062	0.375	68	21823-5071	0.562	1.378	0.375
68	21823-0541	1.375	2.125	0.375	68R2	23727-6608	2.000	2.686	0.687
68	21823-0544	1.375	2.250	0.375	71	26001-0005	0.313	0.750	0.250
68	21823-0547	1.375	2.375	0.375	71	26001-0013	0.375	0.750	0.250
68	21823-0556	1.375	2.500	0.375	71	26001-5064	2.125	2.500	0.250
68	21823-0643	1.500	2.250	0.375	71	26001-5239	1.250	1.750	0.250
68	21823-0646	1.500	2.375	0.375	71	26001-6060	0.438	0.687	0.125
68	21823-0648	1.500	2.375	0.500	71	26001-6069	0.500	0.750	0.109
68	21823-0655	1.500	2.500	0.375	71	26001-6108	0.750	1.000	0.109

All dimensions are in inches. Preferred sizes are indicated with **bold** type face.

Sizes listed are for standard nitrile elements, except Models 25 and 62 which have PTFE elements. Other material available on inquiry only.

Garlock

Oil Seals by Model Number

MODEL NO	PART NO	SHAFT	BORE	WIDTH	MODEL NO	PART NO	SHAFT	BORE	WIDTH
71	26001-6133	0.875	1.250	0.187	71	26001-7038	0.812	1.066	0.125
71	26001-6148	1.000	1.250	0.109	71	26001-7041	0.875	1.125	0.125
71	26001-6151	1.000	1.312	0.125	71	26001-7042	0.875	1.187	0.156
71	26001-6156	1.000	1.562	0.187	71	26001-7045	0.875	1.375	0.125
71	26001-6162	1.125	1.375	0.109	71	26001-7046	0.875	1.437	0.250
71	26001-6169	1.125	1.625	0.250	71	26001-7047	0.937	1.187	0.125
71	26001-6183	1.250	1.625	0.187	71	26001-7049	1.000	1.250	0.125
71	26001-6193	1.312	1.562	0.125	71	26001-7052	1.000	1.500	0.125
71	26001-6221	1.500	1.750	0.109	71	26001-7055	1.000	1.750	0.250
71	26001-6222	1.500	1.875	0.125	71	26001-7056	1.062	1.562	0.125
71	26001-6223	1.500	1.875	0.187	71	26001-7057	1.125	1.375	0.125
71	26001-6226	1.625	1.875	0.109	71	26001-7060	1.187	2.441	0.250
71	26001-6227	1.625	2.000	0.109	71	26001-7061	1.187	1.437	0.125
71	26001-6230	1.625	2.375	0.250	71	26001-7062	1.250	1.500	0.125
71	26001-6240	1.750	2.000	0.109	71	26001-7068	1.375	1.625	0.125
71	26001-6241	1.750	2.125	0.125	71	26001-7070	1.437	1.750	0.156
71	26001-6242	1.750	2.125	0.187	71	26001-7071	1.437	2.062	0.250
71	26001-6267	2.000	2.250	0.109	71	26001-7080	1.750	2.250	0.250
71	26001-6284	2.250	2.625	0.109	71	26001-7081	1.750	2.375	0.250
71	26001-6292	2.500	2.875	0.109	71	26001-7083	1.812	2.375	0.187
71	26001-6304	2.750	3.125	0.187	71	26001-7084	1.875	2.375	0.250
71	26001-6308	3.000	3.500	0.250	71	26001-7085	1.937	2.375	0.187
71	26001-6325	4.000	4.562	0.109	71	26001-7086	2.000	2.375	0.250
71	26001-6553	3.125	3.625	0.109	71	26001-7088	2.437	2.937	0.187
71	26001-7000	0.250	0.500	0.125	71	26001-7089	2.500	3.125	0.250
71	26001-7004	0.375	0.562	0.094	71	26001-7090	2.500	3.250	0.250
71	26001-7005	0.375	0.625	0.125	71	26001-7092	2.625	3.250	0.187
71	26001-7007	0.438	0.875	0.187	71	26001-7093	2.750	3.125	0.109
71	26001-7008	0.438	1.024	0.250	71	26001-7095	3.500	3.876	0.187
71	26001-7009	0.469	0.703	0.125	71	26001-7096	3.500	4.003	0.250
71	26001-7011	0.500	0.687	0.094	71	26001-7097	3.750	4.375	0.312
71	26001-7012	0.500	0.687	0.125	71	26001-7530	2.000	2.375	0.187
71	26001-7013	0.500	0.750	0.125	71	26001-7546	4.250	4.812	0.109
71	26001-7014	0.500	0.875	0.125	71	26001-7619	0.781	1.625	0.125
71	26001-7016	0.500	1.250	0.250	71	26001-7705	0.781	1.250	0.187
71	26001-7017	0.562	0.750	0.094	71	26001-7826	0.750	0.937	0.125
71	26001-7020	0.625	0.812	0.094	71	26001-7992	4.125	4.686	0.109
71	26001-7021	0.625	1.000	0.250	71	26001-8000	0.875	1.255	0.125
71	26001-7022	0.625	1.062	0.187	71	26001-8361	2.250	3.150	0.375
71	26001-7023	0.625	1.125	0.187	71	26001-8379	0.667	1.187	0.125
71	26001-7024	0.625	1.000	0.125	71	26001-8715	1.375	1.687	0.109
71	26001-7025	0.687	0.875	0.094	71	26001-8801	0.313	0.506	0.125
71	26001-7027	0.750	1.000	0.125	71	26001-8810	3.250	3.812	0.109
71	26001-7028	0.750	1.062	0.187	71	26001-8873	1.000	1.500	0.188
71	26001-7029	0.750	1.064	0.109	71	26001-9016	4.000	4.500	0.250
71	26001-7030	0.750	1.125	0.125	71	26001-9413	0.812	1.377	0.156
71	26001-7031	0.750	1.187	0.156	71	26001-9428	0.625	1.125	0.125
71	26001-7032	0.750	1.250	0.125	71	26001-9565	7.250	8.000	0.312
71	26001-7033	0.750	1.250	0.250	71	26001-9643	1.114	1.375	0.125
71	26001-7034	0.750	1.375	0.250	71	26001-9668	3.500	4.062	0.109
71	26001-7035	0.750	1.437	0.250	71	26001-9758	0.687	1.375	0.125
71	26001-7037	0.812	1.062	0.125	71	26001-9961	1.375	1.625	0.109

All dimensions are in inches. Preferred sizes are indicated with **bold** type face. Sizes listed are for standard nitrile elements, except Models 25 and 62 which have PTFE elements. Other material available on inquiry only.

Oil Seals by Model Number

Garlock

MODEL NO	PART NO	SHAFT	BORE	WIDTH	MODEL NO	PART NO	SHAFT	BORE	WIDTH
71	26001-9981	3.750	4.312	0.109	76	26193-8186	2.000	3.750	0.500
76	26193-0013	0.375	0.750	0.250	76	26193-8356	0.667	1.187	0.187
76	26193-0088	0.625	1.125	0.375	76	26193-8461	1.181	1.683	0.250
76	26193-0261	0.937	1.875	0.375	76	26193-8479	1.375	1.750	0.219
76	26193-0541	1.375	2.125	0.375	76	26193-8876	3.062	4.003	0.375
76	26193-4582	2.000	2.625	0.312	76	26193-8952	0.875	1.575	0.187
76	26193-4701	1.125	2.835	0.375	76	26193-8961	37.375	38.625	0.500
76	26193-5085	0.656	1.250	0.250	76	26193-9038	1.156	1.575	0.312
76	26193-5325	1.937	2.412	0.469	76	26193-9370	0.562	1.378	0.250
76	26193-5546	0.812	1.237	0.155	76	26193-9490	1.000	1.625	0.250
76	26193-6035	0.250	0.562	0.187	76	26193-9518	1.000	1.375	0.187
76	26193-6036	1.469	2.000	0.312	76	26193-9578	8.000	8.875	0.437
76	26193-6071	0.500	0.801	0.187	76	26193-9675	1.750	2.250	0.312
76	26193-6099	0.656	1.575	0.250	76	26193-9768	1.937	2.437	0.312
76	26193-6113	0.750	1.125	0.187	76	26193-9855	0.866	1.259	0.275
76	26193-6125	0.812	1.125	0.187	76	26193-9856	0.669	1.102	0.275
76	26193-6133	0.875	1.250	0.187	76	26193-9879	4.000	4.625	0.312
76	26193-6156	1.000	1.562	0.187	76	26193-9962	1.687	2.250	0.250
76	26193-6183	1.250	1.625	0.187	76	26193-9971	1.625	2.125	0.250
76	26193-6186	1.250	1.750	0.266	76	26193-9975	2.125	3.000	0.312
76	26193-6194	1.312	1.605	0.156	76	26193-9991	0.781	1.375	0.250
76	26193-6195	1.312	1.625	0.156	87	26080-1040	12.250	14.250	1.250
76	26193-6223	1.500	1.875	0.187	87	26080-1083	22.750	25.500	0.875
76	26193-6233	0.937	1.375	0.312	87	26080-1202	14.173	15.906	0.788
76	26193-6242	1.750	2.125	0.187	87	26080-1382	22.047	23.780	0.709
76	26193-6262	1.875	2.250	0.187	87	26080-1383	19.685	21.654	0.787
76	26193-6591	3.250	3.940	0.250	87	26080-1387	17.126	19.094	0.787
76	26193-6627	2.863	4.724	0.500	87	26080-2027	30.500	33.000	1.000
76	26193-6642	1.087	1.686	0.250	87	26080-2134	14.488	16.496	0.811
76	26193-7192	3.750	4.750	0.250	87	26080-2207	25.000	27.000	0.906
76	26193-7472	6.187	7.500	0.625	87	26080-2268	8.250	10.260	0.687
76	26193-7501	0.500	0.875	0.312	87	26080-2388	20.866	22.441	0.787
76	26193-7503	0.562	0.875	0.187	87	26080-2454	12.205	13.937	0.787
76	26193-7504	0.562	1.000	0.187	87	26080-2547	23.000	25.500	1.000
76	26193-7505	0.687	1.062	0.187	87	26080-2884	24.803	26.181	0.563
76	26193-7510	1.000	1.437	0.250	87	26080-2886	50.984	52.165	0.787
76	26193-7512	1.125	1.500	0.187	87	26080-3326	15.000	16.500	0.625
76	26193-7513	1.203	2.048	0.187	87	26080-3522	7.250	8.500	0.625
76	26193-7514	1.219	2.048	0.187	87	26080-3566	7.625	9.125	0.625
76	26193-7516	1.250	1.687	0.187	87	26080-3623	9.000	11.000	0.750
76	26193-7517	1.500	2.000	0.250	87	26080-3818	8.250	9.500	0.750
76	26193-7518	1.250	2.000	0.250	87	26080-3831	34.750	36.750	0.875
76	26193-7519	1.312	1.750	0.187	87	26080-3832	8.875	10.125	0.625
76	26193-7520	1.375	1.750	0.187	87	26080-3878	28.000	30.500	0.875
76	26193-7527	1.687	2.125	0.187	87	26080-3891	14.250	16.250	0.625
76	26193-7530	2.000	2.375	0.187	87	26080-4030	10.750	12.750	0.750
76	26193-7531	2.250	2.750	0.250	87	26080-4142	14.500	16.000	0.688
76	26193-7532	2.500	3.062	0.250	87	26080-4170	15.750	17.250	0.687
76	26193-7534	5.500	6.250	0.312	87	26080-4177	16.000	17.500	0.687
76	26193-7694	2.000	3.544	0.375	87	26080-4218	19.000	20.500	0.750
76	26193-7802	0.812	1.236	0.187	87	26080-4231	20.000	22.000	0.625
76	26193-7995	2.125	2.762	0.250	87	26080-4281	22.750	24.750	0.875

All dimensions are in inches. Preferred sizes are indicated with **bold** type face.

Sizes listed are for standard nitrile elements, except Models 25 and 62 which have PTFE elements. Other material available on inquiry only.

Garlock

Oil Seals by Model Number

MODEL NO	PART NO	SHAFT	BORE	WIDTH	MODEL NO	PART NO	SHAFT	BORE	WIDTH
87	26080-4285	23.000	25.500	0.875	88NS	26188-4188	17.000	18.500	0.687
87	26080-4318	25.500	27.500	0.875	88	26088-4210	18.000	20.000	0.875
87	26080-4348	29.000	31.000	0.875	88NS	26188-4210	18.000	20.000	0.875
87	26080-4357	30.000	32.000	0.875	88	26088-4218	19.000	20.500	0.750
87	26080-4421	36.000	38.000	0.875	88NS	26188-4218	19.000	20.500	0.750
87	26080-4473	42.500	45.000	0.875	88	26088-4239	20.250	21.750	0.750
87	26080-4498	40.000	42.000	1.000	88NS	26188-4239	20.250	21.750	0.750
87	26080-4629	15.748	17.480	0.787	88	26088-4246	20.500	22.500	0.875
87	26080-4635	41.500	43.500	0.875	88NS	26188-4246	20.500	22.500	0.875
87	26080-4805	10.236	11.969	0.787	88	26088-4248	20.750	22.750	0.875
87	26080-4950	10.000	11.500	0.625	88NS	26188-4248	20.750	22.750	0.875
87	26080-5077	16.000	18.000	0.875	88	26088-4254	21.250	23.250	0.875
87	26080-5168	17.000	19.000	0.750	88NS	26188-4254	21.250	23.250	0.875
87	26080-5334	9.055	10.236	0.591	88	26088-4265	21.750	23.750	0.875
87	26080-6787	33.000	34.625	0.750	88NS	26188-4265	21.750	23.750	0.875
87	26080-6980	19.500	21.500	0.750	88	26088-4270	22.000	24.000	0.875
87	26080-9927	14.000	15.750	0.875	88NS	26188-4270	22.000	24.000	0.875
88	26088-1924	14.375	16.537	0.590	88	26088-4308	25.000	26.500	0.750
88NS	26188-1924	14.375	16.537	0.590	88NS	26188-4308	25.000	26.500	0.750
88	26088-2676	14.500	16.000	0.562	88	26088-4318	25.500	27.500	0.875
88NS	26188-2676	14.500	16.000	0.562	88NS	26188-4318	25.500	27.500	0.875
88	26088-2982	13.500	15.500	0.688	88	26088-4330	26.125	28.125	0.875
88NS	26188-2982	13.500	15.500	0.688	88NS	26188-4330	26.125	28.125	0.875
88	26088-3067	5.250	6.500	0.625	88	26088-4333	27.000	29.000	0.875
88NS	26188-3067	5.250	6.500	0.625	88NS	26188-4333	27.000	29.000	0.875
88	26088-3522	7.250	8.500	0.625	88	26088-4346	28.500	30.500	0.875
88NS	26188-3522	7.250	8.500	0.625	88NS	26188-4346	28.500	30.500	0.875
88	26088-3764	22.250	24.250	0.875	88	26088-4348	29.000	31.000	0.875
88NS	26188-3764	22.250	24.250	0.875	88NS	26188-4348	29.000	31.000	0.875
88	26088-3784	27.500	29.500	1.000	88	26088-4365	30.500	32.500	0.875
88NS	26188-3784	27.500	29.500	1.000	88NS	26188-4365	30.500	32.500	0.875
88	26088-3878	28.000	30.500	0.875	88	26088-4377	32.500	34.500	0.875
88NS	26188-3878	28.000	30.500	0.875	88NS	26188-4377	32.500	34.500	0.875
88	26088-3934	8.375	9.875	0.750	88	26088-4382	33.000	35.000	0.875
88NS	26188-3934	8.375	9.875	0.750	88NS	26188-4382	33.000	35.000	0.875
88	26088-4071	12.000	14.000	0.750	88	26088-4389	33.500	35.500	0.875
88NS	26188-4071	12.000	14.000	0.750	88NS	26188-4389	33.500	35.500	0.875
88	26088-4079	12.500	14.000	0.687	88	26088-4550	33.500	36.000	0.875
88NS	26188-4079	12.500	14.000	0.687	88NS	26188-4550	33.500	36.000	0.875
88	26088-4121	13.500	15.000	0.688	88	26088-4567	38.250	40.750	0.875
88NS	26188-4121	13.500	15.000	0.688	88NS	26188-4567	38.250	40.750	0.875
88	26088-4145	14.500	16.500	0.812	88	26088-4637	43.500	45.500	0.875
88NS	26188-4145	14.500	16.500	0.812	88NS	26188-4637	43.500	45.500	0.875
88	26088-4163	15.500	17.500	0.812	88	26088-4651	4.000	5.000	0.500
88NS	26188-4163	15.500	17.500	0.812	88NS	26188-4651	4.000	5.000	0.500
88	26088-4170	15.750	17.250	0.687	88	26088-4685	37.812	40.945	0.875
88NS	26188-4170	15.750	17.250	0.687	88NS	26188-4685	37.812	40.945	0.875
88	26088-4181	16.250	17.750	0.687	88	26088-4704	17.559	19.135	0.630
88NS	26188-4181	16.250	17.750	0.687	88NS	26188-4704	17.559	19.135	0.630
88	26088-4186	16.500	18.500	0.812	88	26088-5116	16.000	18.000	0.750
88NS	26188-4186	16.500	18.500	0.812	88NS	26188-5116	16.000	18.000	0.750
88	26088-4188	17.000	18.500	0.687	88	26088-5619	21.000	23.000	0.750

All dimensions are in inches. Preferred sizes are indicated with **bold** type face. Sizes listed are for standard nitrile elements, except Models 25 and 62 which have PTFE elements. Other material available on inquiry only.

Oil Seals by Model Number

Garlock

MODEL NO	PART NO	SHAFT	BORE	WIDTH	MODEL NO	PART NO	SHAFT	BORE	WIDTH
88NS	26188-5619	21.000	23.000	0.750	91	27023-9508	0.625	1.125	0.250
88	26088-5921	26.000	27.625	0.750	91	27023-9574	3.000	3.406	0.203
88NS	26188-5921	26.000	27.625	0.750	91	27023-9660	0.469	0.718	0.125
88	26088-5997	25.000	27.500	0.875	91	27023-9822	1.750	2.375	0.312
88NS	26188-5997	25.000	27.500	0.875	92	27063-0004	0.394	0.748	0.276
88	26088-6185	7.750	8.750	0.438	92	27063-0012	0.394	0.984	0.276
88NS	26188-6185	7.750	8.750	0.438	92	27063-0020	0.472	0.866	0.276
88	26088-6264	13.250	15.250	0.750	92	27063-0022	0.472	0.984	0.276
88NS	26188-6264	13.250	15.250	0.750	92	27063-0024	0.472	1.102	0.276
88	26088-6383	8.500	9.500	0.500	92	27063-0026	0.551	0.945	0.276
88NS	26188-6383	8.500	9.500	0.500	92	27063-0028	0.591	0.945	0.276
88	26088-6386	8.750	10.000	0.625	92	27063-0030	0.591	1.024	0.276
88NS	26188-6386	8.750	10.000	0.625	92	27063-0032	0.591	1.260	0.276
88	26088-6618	15.250	17.250	0.625	92	27063-0033	0.591	1.378	0.276
88NS	26188-6618	15.250	17.250	0.625	92	27063-0048	0.630	1.181	0.276
88	26088-6829	12.250	14.250	0.750	92	27063-0064	0.669	1.181	0.276
88NS	26188-6829	12.250	14.250	0.750	92	27063-0066	0.669	1.575	0.276
88	26088-6980	19.500	21.500	0.750	92	27063-0074	0.709	1.181	0.276
88NS	26188-6980	19.500	21.500	0.750	92	27063-0087	0.625	1.125	0.312
88	26088-7172	5.750	6.750	0.438	92	27063-0118	0.748	1.260	0.276
88NS	26188-7172	5.750	6.750	0.438	92	27063-0120	0.787	1.181	0.276
88	26088-7539	15.250	17.250	0.750	92	27063-0154	0.787	1.260	0.276
88NS	26188-7539	15.250	17.250	0.750	92	27063-0164	0.787	1.378	0.276
88	26088-7788	29.500	32.000	0.750	92	27063-0176	0.812	1.250	0.375
88NS	26188-7788	29.500	32.000	0.750	92	27063-0184	0.787	1.575	0.276
88	26088-7790	33.000	35.500	0.750	92	27063-0188	0.787	1.654	0.276
88NS	26188-7790	33.000	35.500	0.750	92	27063-0194	0.787	1.850	0.276
88	26088-7810	37.500	39.500	0.750	92	27063-0196	0.787	2.047	0.394
88NS	26188-7810	37.500	39.500	0.750	92	27063-0198	0.866	1.575	0.276
88	26088-7828	28.000	29.625	0.750	92	27063-0206	0.866	1.850	0.276
88NS	26188-7828	28.000	29.625	0.750	92	27063-0209	0.945	1.378	0.276
88	26088-7870	30.000	31.625	0.750	92	27063-0210	0.945	1.575	0.276
88NS	26188-7870	30.000	31.625	0.750	92	27063-0212	0.984	1.378	0.276
88	26088-8487	30.000	31.600	0.770	92	27063-0213	0.875	1.375	0.312
88NS	26188-8487	30.000	31.600	0.770	92	27063-0230	0.984	1.457	0.276
88	26088-8525	11.811	13.543	0.807	92	27063-0232	0.984	1.654	0.276
88NS	26188-8525	11.811	13.543	0.807	92	27063-0250	0.984	1.850	0.276
88	26088-8664	14.344	16.000	0.687	92	27063-0254	0.984	2.047	0.276
88NS	26188-8664	14.344	16.000	0.687	92	27063-0262	1.024	1.654	0.276
88	26088-8794	14.750	16.500	0.875	92	27063-0272	1.024	1.850	0.276
88NS	26188-8794	14.750	16.500	0.875	92	27063-0280	1.102	1.496	0.276
88	26088-9126	7.375	8.375	0.637	92	27063-0284	1.102	1.575	0.276
88NS	26188-9126	7.375	8.375	0.637	92	27063-0312	1.181	1.575	0.276
91	27023-0982	1.812	2.750	0.375	92	27063-0316	1.181	1.654	0.276
91	27023-6053	0.313	0.562	0.156	92	27063-0318	1.181	1.772	0.315
91	27023-6113	0.750	1.125	0.187	92	27063-0320	1.181	1.850	0.276
91	27023-6279	1.187	1.625	0.250	92	27063-0332	1.181	1.890	0.315
91	27023-6635	0.438	0.621	0.125	92	27063-0340	1.181	2.047	0.276
91	27023-7001	0.281	0.686	0.125	92	27063-0342	1.181	2.441	0.276
91	27023-7020	0.625	0.812	0.094	92	27063-0348	1.181	2.835	0.315
91	27023-7027	0.750	1.000	0.125	92	27063-0350	1.260	1.850	0.276
91	27023-9014	2.500	3.000	0.250	92	27063-0364	1.260	2.047	0.276

All dimensions are in inches. Preferred sizes are indicated with **bold** type face.

Sizes listed are for standard nitrile elements, except Models 25 and 62 which have PTFE elements. Other material available on inquiry only.

Garlock

Oil Seals by Model Number

MODEL NO	PART NO	SHAFT	BORE	WIDTH	MODEL NO	PART NO	SHAFT	BORE	WIDTH
92	27063-0366	1.378	1.850	0.276	92	27063-0770	2.835	3.543	0.394
92	27063-0368	1.378	1.969	0.276	92	27063-0776	2.835	3.740	0.394
92	27063-0371	1.378	2.165	0.315	92	27063-0791	2.835	3.937	0.394
92	27063-0376	1.378	2.441	0.276	92	27063-0793	2.441	3.346	0.394
92	27063-0378	1.417	1.850	0.276	92	27063-0797	2.953	3.740	0.394
92	27063-0379	1.417	2.126	0.276	92	27063-0809	2.953	3.937	0.394
92	27063-0381	1.496	2.165	0.276	92	27063-0819	2.953	4.331	0.472
92	27063-0382	1.496	2.441	0.276	92	27063-0824	2.953	4.724	0.472
92	27063-0391	1.575	2.047	0.276	92	27063-0825	3.150	4.134	0.472
92	27063-0392	1.575	2.165	0.276	92	27063-0831	3.150	4.331	0.394
92	27063-0393	1.575	2.205	0.276	92	27063-0833	3.346	4.528	0.512
92	27063-0406	1.575	2.283	0.315	92	27063-0834	3.465	4.331	0.472
92	27063-0423	1.575	2.441	0.276	92	27063-0835	1.687	2.500	0.375
92	27063-0435	1.575	2.835	0.276	92	27063-0850	3.740	4.528	0.472
92	27063-0449	1.575	3.150	0.394	92	27063-0851	3.740	5.118	0.472
92	27063-0452	1.654	2.362	0.276	92	27063-0852	3.937	4.724	0.394
92	27063-0488	1.772	2.362	0.276	92	27063-0860	3.937	4.921	0.472
92	27063-0512	1.772	2.835	0.315	92	27063-0866	4.134	5.512	0.472
92	27063-0516	1.772	3.150	0.394	92	27063-0869	4.528	5.709	0.472
92	27063-0520	1.772	3.346	0.394	92	27063-0873	4.921	6.299	0.472
92	27063-0522	1.850	2.559	0.394	92	27063-0875	5.906	7.087	0.472
92	27063-0533	1.890	2.441	0.315	92	27063-0876	6.299	7.283	0.394
92	27063-0534	1.890	2.559	0.394	92	27063-0904	1.750	2.500	0.375
92	27063-0535	1.375	2.062	0.375	92	27063-1010	3.740	4.921	0.472
92	27063-0558	1.890	2.835	0.315	92	27063-1718	5.512	6.693	0.472
92	27063-0563	1.969	2.559	0.315	92	27063-1871	0.745	1.357	0.318
92	27063-0567	1.969	2.677	0.315	92	27063-2887	4.921	5.906	0.472
92	27063-0571	1.969	2.835	0.315	92	27063-3863	0.250	0.750	0.250
92	27063-0572	2.047	2.677	0.315	92	27063-4656	5.118	6.299	0.472
92	27063-0573	2.047	2.835	0.315	92	27063-5249	1.625	2.623	0.250
92	27063-0574	2.165	2.756	0.315	92	27063-5306	1.000	1.500	0.250
92	27063-0575	2.165	2.953	0.394	92	27063-5774	2.250	3.125	0.250
92	27063-0576	2.165	3.150	0.315	92	27063-5965	0.781	1.250	0.250
92	27063-0585	2.165	3.346	0.315	92	27063-6050	0.625	1.375	0.250
92	27063-0588	2.205	2.756	0.315	92	27063-6055	0.313	0.687	0.250
92	27063-0606	2.205	2.835	0.315	92	27063-6077	0.500	1.125	0.250
92	27063-0629	2.205	3.150	0.315	92	27063-6100	1.000	2.000	0.250
92	27063-0633	2.205	3.346	0.315	92	27063-6113	0.750	1.125	0.187
92	27063-0635	2.283	3.150	0.315	92	27063-6167	1.125	1.437	0.266
92	27063-0642	2.283	3.346	0.394	92	27063-6169	1.125	1.625	0.250
92	27063-0653	2.362	3.150	0.315	92	27063-6197	1.312	1.750	0.250
92	27063-0672	2.362	3.346	0.315	92	27063-6218	1.453	2.047	0.312
92	27063-0683	2.362	3.543	0.315	92	27063-6289	0.750	1.575	0.250
92	27063-0684	2.441	3.543	0.394	92	27063-6308	3.000	3.500	0.250
92	27063-0698	2.520	3.150	0.315	92	27063-6313	3.250	4.263	0.437
92	27063-0710	2.559	3.346	0.394	92	27063-6983	0.812	1.250	0.250
92	27063-0729	2.559	3.543	0.394	92	27063-7021	0.625	1.000	0.250
92	27063-0733	2.559	3.740	0.394	92	27063-7034	0.750	1.375	0.250
92	27063-0735	2.677	3.543	0.394	92	27063-7082	1.750	2.500	0.250
92	27063-0745	2.283	2.835	0.315	92	27063-7376	4.724	5.906	0.472
92	27063-0749	2.677	3.937	0.394	92	27063-7518	1.250	2.000	0.250
92	27063-0759	2.756	3.937	0.394	92	27063-7521	1.375	1.875	0.187

All dimensions are in inches. Preferred sizes are indicated with **bold** type face. Sizes listed are for standard nitrile elements, except Models 25 and 62 which have PTFE elements. Other material available on inquiry only.

Oil Seals by Model Number

Garlock

MODEL NO	PART NO	SHAFT	BORE	WIDTH	MODEL NO	PART NO	SHAFT	BORE	WIDTH
92	27063-7527	1.687	2.125	0.187	94	27223-4597	1.187	2.835	0.375
92	27063-7839	3.543	4.724	0.472	94	27223-4598	1.781	3.937	0.375
92	27063-7842	3.937	5.118	0.472	94	27223-4600	1.187	2.441	0.375
92	27063-8461	1.181	1.683	0.250	94	27223-5074	2.953	4.528	0.375
92	27063-8768	4.134	5.118	0.472	94	27223-5091	1.375	2.441	0.312
92	27063-8833	0.594	1.125	0.250	94	27223-5314	1.000	1.501	0.312
92	27063-8978	0.984	1.375	0.187	94	27223-5331	4.250	5.687	0.500
92	27063-9009	0.969	1.750	0.312	94	27223-5572	2.750	3.500	0.562
92	27063-9013	2.000	2.500	0.250	94	27223-5672	5.750	8.858	0.750
92	27063-9014	2.500	3.000	0.250	94	27223-5937	0.969	2.048	0.375
92	27063-9016	4.000	4.500	0.250	94	27223-6062	0.438	0.875	0.234
92	27063-9190	3.740	4.724	0.472	94	27223-6074	0.500	0.875	0.234
92	27063-9489	0.875	1.500	0.250	94	27223-6114	0.750	1.125	0.234
92	27063-9500	0.313	0.687	0.219	94	27223-6120	0.750	1.851	0.375
92	27063-9501	0.375	0.750	0.187	94	27223-6176	1.125	2.441	0.375
92	27063-9505	0.500	1.000	0.250	94	27223-6192	1.250	2.835	0.375
92	27063-9507	0.562	1.000	0.250	94	27223-6208	1.375	1.875	0.312
92	27063-9508	0.625	1.125	0.250	94	27223-6211	1.437	1.937	0.250
92	27063-9509	0.625	1.250	0.250	94	27223-6215	1.437	3.150	0.375
92	27063-9515	0.875	1.375	0.250	94	27223-6256	1.750	3.347	0.375
92	27063-9517	0.984	2.062	0.375	94	27223-6266	1.937	3.544	0.375
92	27063-9518	1.000	1.375	0.187	94	27223-6281	2.187	4.331	0.375
92	27063-9524	1.250	1.625	0.250	94	27223-6282	2.187	5.118	0.375
92	27063-9525	1.250	1.984	0.250	94	27223-6300	2.562	3.937	0.375
92	27063-9527	1.312	1.875	0.219	94	27223-6301	2.562	4.725	0.375
92	27063-9537	2.062	2.661	0.187	94	27223-6302	2.562	5.512	0.375
92	27063-9722	1.500	2.250	0.250	94	27223-6314	3.346	5.118	0.500
92	27063-9856	0.669	1.102	0.276	94	27223-6323	3.937	5.905	0.500
92	27063-9965	1.453	1.968	0.312	94	27223-6329	5.062	7.875	0.500
94	27223-0081	0.594	1.375	0.312	94	27223-6486	1.562	3.544	0.375
94	27223-0089	0.625	1.250	0.312	94	27223-6537	0.937	2.048	0.312
94	27223-0096	0.625	1.575	0.375	94	27223-6557	1.375	3.150	0.375
94	27223-0139	0.750	1.250	0.312	94	27223-6639	1.375	2.835	0.312
94	27223-0141	0.750	1.375	0.312	94	27223-6738	1.156	2.835	0.375
94	27223-0181	0.812	1.575	0.312	94	27223-7021	0.625	1.000	0.250
94	27223-0215	0.875	1.500	0.312	94	27223-7033	0.750	1.250	0.250
94	27223-0287	1.000	1.500	0.312	94	27223-7198	0.781	1.850	0.375
94	27223-0359	1.125	2.000	0.375	94	27223-7209	2.165	3.937	0.375
94	27223-0592	1.437	2.125	0.375	94	27223-7217	2.687	4.000	0.375
94	27223-0760	1.625	2.375	0.375	94	27223-7465	0.875	1.570	0.312
94	27223-0940	1.781	2.625	0.375	94	27223-7636	1.625	3.750	0.375
94	27223-1135	1.937	3.000	0.375	94	27223-7779	0.969	2.441	0.375
94	27223-1261	2.062	3.062	0.375	94	27223-8003	1.562	3.150	0.312
94	27223-1678	2.375	3.876	0.375	94	27223-8004	1.766	2.953	0.312
94	27223-2261	3.187	4.750	0.500	94	27223-8005	1.969	4.331	0.375
94	27223-2516	3.875	5.500	0.500	94	27223-8006	2.165	3.544	0.375
94	27223-2545	0.984	1.654	0.276	94	27223-8762	1.761	3.937	0.375
94	27223-2753	4.500	5.500	0.500	94	27223-8958	2.165	3.250	0.375
94	27223-2756	4.500	5.625	0.500	94	27223-8959	2.531	4.725	0.375
94	27223-2959	5.062	6.250	0.625	94	27223-8960	5.500	8.268	0.500
94	27223-3409	6.375	7.500	0.500	94	27223-9047	6.937	9.000	0.500
94	27223-4488	4.331	6.693	0.500	94	27223-9086	1.937	3.250	0.375

All dimensions are in inches. Preferred sizes are indicated with **bold** type face.

Sizes listed are for standard nitrile elements, except Models 25 and 62 which have PTFE elements. Other material available on inquiry only.

Garlock

Oil Seals by Model Number

MODEL NO	PART NO	SHAFT	BORE	WIDTH	MODEL NO	PART NO	SHAFT	BORE	WIDTH
94	27223-9274	1.125	2.441	0.281	142	21432-5113	45.500	47.500	1.500
94	27223-9307	7.937	10.125	0.500	142	21432-5147	18.000	19.125	1.250
94	27223-9372	4.969	6.375	0.500	142	21432-5218	32.500	34.500	1.250
94	27223-9543	4.500	7.000	0.531	142	21432-5243	49.000	50.500	1.000
94	27223-9622	3.062	4.062	0.375	142	21432-5272	28.250	29.750	1.000
94	27223-9670	2.125	3.623	0.375	142	21432-5275	30.750	32.750	1.250
94	27223-9967	1.000	1.851	0.250	142	21432-5422	67.750	69.750	1.250
94	27223-9977	2.156	4.725	0.375	142	21432-5440	24.000	25.500	1.000
111	21011-2542	4.000	5.125	0.625	142	21432-5471	55.750	56.750	0.750
111	21011-2545	4.000	5.250	0.625	142	21432-5515	37.000	39.000	1.250
111	21011-2568	4.000	6.250	0.563	142	21432-5521	47.625	49.625	1.500
111	21011-4498	40.000	42.000	1.000	142	21432-5529	75.750	77.750	1.250
111	21011-4559	5.375	6.687	0.562	142	21432-5566	31.750	33.250	1.000
113	21012-2464	3.750	4.750	0.625	142	21432-5583	37.000	38.500	1.000
113	21012-3355	6.000	7.000	0.500	142	21432-5588	31.000	33.000	1.250
113	21012-4347	29.000	30.500	0.750	142	21432-5648	55.750	57.750	1.250
113	21012-4495	10.500	12.000	0.625	142	21432-5762	39.000	41.000	1.250
113	21012-4496	12.500	14.000	0.625	142	21432-5870	24.000	25.125	1.250
113	21012-4557	3.000	4.000	0.500	142	21432-5871	29.250	30.750	1.000
113	21012-4558	3.250	4.812	0.500	142	21432-5924	47.500	49.500	1.375
113	21012-4560	6.500	7.500	0.500	142	21432-6430	15.750	16.875	1.250
113	21012-4561	7.125	8.125	0.500	142	21432-6458	24.250	25.750	1.000
113	21012-8800	3.432	4.624	0.484	142	21432-6514	41.000	43.000	1.500
113	21012-9553	9.062	10.562	0.750	142	21432-6617	44.000	46.000	1.500
123	21016-1210	2.000	3.125	0.375	142	21432-6722	36.000	38.000	1.250
123	21016-3835	35.000	37.000	0.875	142	21432-6737	18.500	19.625	1.250
123	21016-3885	1.750	3.189	0.500	142	21432-6796	22.000	23.500	1.000
123	21016-6880	24.250	25.750	0.750	142	21432-6931	10.250	11.250	0.750
123	21016-9736	31.500	33.000	0.750	142	21432-6996	37.125	39.125	1.250
142	21432-1715	12.375	13.500	1.250	142	21432-6997	41.500	43.500	1.250
142	21432-2015	17.687	19.187	1.000	142	21432-7222	36.535	38.535	1.375
142	21432-2512	15.250	16.375	1.250	142	21432-7265	30.000	32.000	1.250
142	21432-2986	12.000	13.125	1.312	142	21432-7422	24.213	25.213	0.750
142	21432-3099	14.000	15.125	1.375	142	21432-7445	12.000	13.125	1.375
142	21432-3545	7.500	8.500	0.750	142	21432-7479	41.500	43.500	1.500
142	21432-3615	9.000	10.000	0.750	142	21432-7536	16.000	17.000	0.750
142	21432-3628	9.250	10.250	0.750	142	21432-7552	44.000	46.000	1.375
142	21432-3668	10.000	11.000	0.750	142	21432-7579	34.804	35.804	0.750
142	21432-4453	38.000	40.000	1.250	142	21432-7584	34.812	35.812	0.750
142	21432-4463	7.937	8.937	0.750	142	21432-7605	40.500	42.500	1.500
142	21432-4483	8.250	9.250	0.750	142	21432-7607	18.750	20.250	1.000
142	21432-4543	24.250	25.250	0.750	142	21432-7615	18.000	19.500	1.000
142	21432-4547	32.500	34.500	1.500	142	21432-7681	25.125	26.250	1.250
142	21432-4696	29.250	30.250	0.750	142	21432-7685	26.299	27.795	1.000
142	21432-4716	17.500	18.625	1.250	142	21432-7706	20.000	21.125	1.250
142	21432-4753	15.375	16.500	1.250	142	21432-7724	23.812	24.937	1.250
142	21432-4829	36.000	38.000	1.500	142	21432-7729	13.000	14.125	1.250
142	21432-4859	21.750	23.250	1.000	142	21432-7819	35.500	37.500	1.500
142	21432-4896	37.875	39.875	1.250	142	21432-7885	22.750	23.875	1.375
142	21432-4918	29.500	31.000	1.000	142	21432-7886	16.750	17.875	1.312
142	21432-4928	29.950	30.950	0.750	142	21432-7918	35.795	37.795	1.500
142	21432-4964	40.125	42.125	1.500	142	21432-7993	47.750	49.750	1.500

All dimensions are in inches. Preferred sizes are indicated with **bold** type face. Sizes listed are for standard nitrile elements, except Models 25 and 62 which have PTFE elements. Other material available on inquiry only.

Oil Seals by Model Number

Garlock

MODEL NO	PART NO	SHAFT	BORE	WIDTH	MODEL NO	PART NO	SHAFT	BORE	WIDTH
142	21432-8106	13.750	14.750	0.750	142	21432-9698	21.500	22.625	1.250
142	21432-8107	12.000	13.000	0.750	142	21432-9699	25.000	26.500	1.000
142	21432-8113	32.000	34.000	1.250	142	21432-9707	12.000	13.125	1.250
142	21432-8214	28.000	30.000	1.500	142	21432-9730	28.000	29.500	1.000
142	21432-8277	27.000	28.125	1.375	142	21432-9745	41.000	43.000	1.250
142	21432-8296	13.000	14.000	0.750	142	21432-9794	47.000	49.000	1.500
142	21432-8297	11.250	12.250	0.750	142	21432-9813	33.875	35.000	1.250
142	21432-8390	25.125	26.250	1.375	142	21432-9814	29.875	31.000	1.250
142	21432-8395	43.500	45.500	1.500	142	21432-9816	16.142	17.142	0.750
142	21432-8406	34.500	36.500	1.250	142	21432-9832	28.000	29.125	1.250
142	21432-8414	9.410	10.410	0.750	142	21432-9850	48.865	50.865	1.500
142	21432-8440	18.250	19.375	1.250	142	21432-9865	44.000	46.000	1.250
142	21432-8547	25.500	27.000	1.000	142	21432-9872	22.000	23.125	1.250
142	21432-8553	9.843	10.843	0.750	142	21432-9873	21.500	23.000	1.000
142	21432-8556	16.250	17.250	0.750	142	21432-9886	46.500	48.500	1.250
142	21432-8561	28.000	29.125	1.375	142	21432-9909	23.500	24.625	1.375
142	21432-8566	25.000	26.125	1.375	142	21432-9922	10.500	11.500	0.750
142	21432-8568	48.000	50.000	1.250	142	21432-9923	55.000	57.000	1.250
142	21432-8621	9.375	10.375	0.750	142	21432-9946	42.000	43.500	1.000
142	21432-8648	24.610	26.110	1.000	142	24132-9332	59.500	61.500	1.250
142	21432-8651	31.750	33.750	1.500	EQ	24082-5461	3.500	4.875	0.625
142	21432-8659	54.000	56.000	1.250	EQ	24801-0625	0.875	1.875	0.500
142	21432-8672	51.500	53.500	1.500	EQ	24801-0627	1.000	2.000	0.500
142	21432-8754	32.205	34.205	1.250	EQ	24801-0639	1.750	2.750	0.500
142	21432-9183	26.000	27.500	1.000	EQ	24801-0648	1.500	2.375	0.500
142	21432-9220	31.750	33.750	1.250	EQ	24801-0682	6.500	7.500	0.500
142	21432-9229	49.000	51.000	1.250	EQ	24801-0706	1.875	3.000	0.625
142	21432-9233	52.000	54.000	1.500	EQ	24801-0716	2.375	3.126	0.500
142	21432-9235	51.500	53.500	1.250	EQ	24801-0717	1.625	2.500	0.500
142	21432-9291	71.000	73.000	1.250	EQ	24801-0720	1.750	3.000	0.500
142	21432-9292	63.500	65.500	1.250	EQ	24801-0738	2.375	3.250	0.500
142	21432-9318	26.000	27.125	1.375	EQ	24801-0741	1.437	2.250	0.500
142	21432-9319	27.250	28.375	1.375	EQ	24801-0748	1.875	2.625	0.500
142	21432-9332	59.500	61.500	1.250	EQ	24801-0754	1.375	2.500	0.625
142	21432-9336	24.000	25.000	0.750	EQ	24801-0756	0.875	1.750	0.500
142	21432-9337	36.000	36.125	1.250	EQ	24801-0765	1.125	2.001	0.500
142	21432-9343	47.500	49.500	1.500	EQ	24801-0770	1.625	2.750	0.625
142	21432-9393	24.875	26.375	1.000	EQ	24801-0773	0.984	2.047	0.500
142	21432-9498	24.250	25.375	1.250	EQ	24801-0787	1.250	2.375	0.625
142	21432-9513	88.100	89.600	1.000	EQ	24801-0790	1.687	2.500	0.500
142	21432-9514	93.600	95.100	1.000	EQ	24801-0792	1.875	2.875	0.625
142	21432-9550	31.500	33.500	1.250	EQ	24801-0798	1.250	2.000	0.500
142	21432-9552	22.875	24.000	1.312	EQ	24801-0804	1.500	2.250	0.500
142	21432-9561	18.750	20.750	0.750	EQ	24801-0811	4.250	5.500	0.625
142	21432-9570	30.000	31.000	0.750	EQ	24801-0815	1.125	2.250	0.625
142	21432-9579	47.500	49.500	1.250	EQ	24801-0832	1.125	2.125	0.625
142	21432-9605	58.550	60.550	1.250	EQ	24801-0836	1.750	3.968	0.500
142	21432-9627	63.650	65.650	1.250	EQ	24801-0848	1.875	2.622	0.500
142	21432-9638	39.500	41.500	1.250	EQ	24801-0850	0.875	2.000	0.500
142	21432-9650	41.500	43.000	1.000	EQ	24801-0856	1.500	2.625	0.500
142	21432-9683	37.250	38.375	1.250	EQ	24801-0857	1.000	2.125	0.500
142	21432-9685	23.750	24.875	1.250	EQ	24801-0879	1.750	2.875	0.500

All dimensions are in inches. Preferred sizes are indicated with **bold** type face.

Sizes listed are for standard nitrile elements, except Models 25 and 62 which have PTFE elements. Other material available on inquiry only.

Garlock

Oil Seals by Model Number

MODEL NO	PART NO	SHAFT	BORE	WIDTH	MODEL NO	PART NO	SHAFT	BORE	WIDTH
EQ	24801-0901	2.750	3.875	0.500	EQ	24801-1252	2.500	3.623	0.625
EQ	24801-0909	1.750	2.625	0.500	EQ	24801-1265	3.000	3.750	0.625
EQ	24801-0913	1.378	3.465	0.500	EQ	24801-1268	2.875	3.875	0.625
EQ	24801-0930	4.000	5.248	0.500	EQ	24801-1270	1.625	2.437	0.625
EQ	24801-0932	4.125	5.500	0.500	EQ	24801-1322	2.125	2.875	0.625
EQ	24801-0951	5.125	6.250	0.500	EQ	24801-1323	2.125	3.000	0.625
EQ	24801-0988	1.125	2.000	0.625	EQ	24801-1335	2.125	3.125	0.500
EQ	24801-0989	1.875	2.625	0.625	EQ	24801-1341	1.688	2.750	0.625
EQ	24801-0998	1.750	2.875	0.625	EQ	24801-1346	3.937	5.118	0.625
EQ	24801-1008	1.375	2.250	0.500	EQ	24801-1349	5.905	7.087	0.625
EQ	24801-1009	1.000	1.875	0.500	EQ	24801-1350	2.000	3.000	0.625
EQ	24801-1017	1.375	2.836	0.500	EQ	24801-1351	2.313	3.313	0.625
EQ	24801-1019	1.334	2.363	0.500	EQ	24801-1357	1.000	2.125	0.625
EQ	24801-1026	1.750	2.500	0.625	EQ	24801-1374	1.772	2.638	0.500
EQ	24801-1028	3.250	4.000	0.625	EQ	24801-1403	0.875	1.937	0.625
EQ	24801-1041	2.750	3.543	0.500	EQ	24801-1404	2.188	3.000	0.500
EQ	24801-1048	1.250	2.125	0.500	EQ	24801-1406	2.000	2.875	0.625
EQ	24801-1051	5.000	5.750	0.500	EQ	24801-1411	1.334	2.363	0.625
EQ	24801-1056	4.000	5.250	0.438	EQ	24801-1420	1.250	2.250	0.625
EQ	24801-1059	1.875	2.875	0.500	EQ	24801-1473	2.250	2.995	0.625
EQ	24801-1062	1.750	2.625	0.625	EQ	24801-1476	2.250	3.000	0.500
EQ	24801-1072	1.875	2.812	0.500	EQ	24801-1479	2.250	3.000	0.625
EQ	24801-1075	1.875	2.750	0.625	EQ	24801-1482	2.250	3.125	0.500
EQ	24801-1078	2.953	3.937	0.500	EQ	24801-1483	2.250	3.125	0.625
EQ	24801-1081	2.875	3.750	0.625	EQ	24801-1493	2.250	3.250	0.625
EQ	24801-1082	4.331	5.511	0.625	EQ	24801-1494	2.250	3.250	0.500
EQ	24801-1083	1.000	2.000	0.625	EQ	24801-1552	2.312	3.250	0.500
EQ	24801-1084	1.181	2.875	0.500	EQ	24801-1557	2.327	3.250	0.500
EQ	24801-1090	0.875	1.750	0.625	EQ	24801-1581	2.375	3.250	0.625
EQ	24801-1092	1.375	2.125	0.625	EQ	24801-1641	2.438	3.438	0.625
EQ	24801-1099	1.500	2.378	0.500	EQ	24801-1644	2.375	3.125	0.500
EQ	24801-1116	1.438	2.250	0.625	EQ	24801-1654	2.375	3.375	0.625
EQ	24801-1121	1.375	2.250	0.625	EQ	24801-1744	1.750	2.750	0.625
EQ	24801-1122	1.181	2.362	0.500	EQ	24801-1747	2.598	3.386	0.500
EQ	24801-1127	1.968	2.952	0.500	EQ	24801-1748	1.625	2.437	0.500
EQ	24801-1129	2.562	3.437	0.500	EQ	24801-1751	3.625	4.499	0.468
EQ	24801-1136	2.313	3.355	0.625	EQ	24801-1754	1.000	1.875	0.625
EQ	24801-1138	1.375	2.835	0.625	EQ	24801-1759	3.187	4.499	0.468
EQ	24801-1144	3.938	4.938	0.625	EQ	24801-1763	1.500	2.250	0.625
EQ	24801-1147	2.750	3.755	0.500	EQ	24801-1765	0.875	2.000	0.625
EQ	24801-1156	2.500	3.550	0.625	EQ	24801-1784	1.771	2.521	0.500
EQ	24801-1166	1.500	2.625	0.625	EQ	24801-1788	2.500	3.375	0.500
EQ	24801-1177	5.625	6.624	0.625	EQ	24801-1809	2.500	3.250	0.500
EQ	24801-1205	2.875	4.003	0.625	EQ	24801-1818	2.500	3.500	0.625
EQ	24801-1206	2.000	3.000	0.625	EQ	24801-1823	2.500	3.540	0.500
EQ	24801-1211	2.375	3.500	0.625	EQ	24801-1841	2.625	3.625	0.625
EQ	24801-1212	2.500	3.375	0.625	EQ	24801-1854	2.125	3.250	0.625
EQ	24801-1214	1.500	2.375	0.625	EQ	24801-1862	1.937	2.750	0.625
EQ	24801-1215	1.250	2.000	0.625	EQ	24801-1864	5.375	6.375	0.750
EQ	24801-1220	3.000	4.000	0.625	EQ	24801-1870	2.362	3.543	0.500
EQ	24801-1245	2.250	3.375	0.625	EQ	24801-1876	2.362	3.228	0.625
EQ	24801-1251	2.562	3.562	0.625	EQ	24801-1884	2.165	3.165	0.625

All dimensions are in inches. Preferred sizes are indicated with **bold** type face. Sizes listed are for standard nitrile elements, except Models 25 and 62 which have PTFE elements. Other material available on inquiry only.

Oil Seals by Model Number

Garlock

MODEL NO	PART NO	SHAFT	BORE	WIDTH	MODEL NO	PART NO	SHAFT	BORE	WIDTH
EQ	24801-1887	2.562	3.502	0.625	EQ	24801-2348	3.438	4.625	0.500
EQ	24801-1893	2.625	3.500	0.625	EQ	24801-2366	3.500	4.500	0.500
EQ	24801-1901	2.250	3.189	0.625	EQ	24801-2368	3.500	4.500	0.625
EQ	24801-1908	2.938	3.688	0.625	EQ	24801-2374	3.500	4.750	0.625
EQ	24801-1911	3.347	4.500	0.625	EQ	24801-2378	3.500	4.375	0.625
EQ	24801-1915	1.625	2.375	0.625	EQ	24801-2419	3.625	4.625	0.625
EQ	24801-1920	1.125	2.062	0.625	EQ	24801-2438	4.125	5.131	0.625
EQ	24801-1932	1.250	2.125	0.625	EQ	24801-2462	3.750	4.750	0.500
EQ	24801-1941	2.625	3.500	0.500	EQ	24801-2474	2.188	3.250	0.625
EQ	24801-1950	2.625	3.750	0.500	EQ	24801-2488	2.362	3.543	0.625
EQ	24801-1951	2.500	3.625	0.625	EQ	24801-2489	2.186	3.186	0.625
EQ	24801-1962	2.625	3.375	0.625	EQ	24801-2506	3.875	5.000	0.625
EQ	24801-1974	1.570	3.188	0.625	EQ	24801-2510	4.750	5.756	0.625
EQ	24801-1978	0.984	1.968	0.709	EQ	24801-2533	3.938	4.875	0.500
EQ	24801-1984	2.677	3.543	0.500	EQ	24801-2549	4.000	5.500	0.500
EQ	24801-1985	2.283	3.150	0.500	EQ	24801-2577	3.438	4.438	0.625
EQ	24801-1988	3.307	4.331	0.625	EQ	24801-2593	4.000	5.000	0.625
EQ	24801-2001	2.000	3.125	0.625	EQ	24801-2604	4.125	5.125	0.625
EQ	24801-2014	2.625	3.628	0.625	EQ	24801-2611	1.654	2.559	0.625
EQ	24801-2037	2.750	3.500	0.500	EQ	24801-2625	4.134	5.118	0.625
EQ	24801-2038	1.932	2.750	0.625	EQ	24801-2631	1.575	3.150	0.625
EQ	24801-2042	4.313	5.313	0.625	EQ	24801-2659	4.250	5.250	0.625
EQ	24801-2062	2.750	3.875	0.625	EQ	24801-2672	4.250	5.875	0.625
EQ	24801-2067	2.756	3.543	0.500	EQ	24801-2676	2.813	3.751	0.625
EQ	24801-2078	2.756	3.622	0.500	EQ	24801-2694	1.375	2.437	0.625
EQ	24801-2086	2.875	3.625	0.625	EQ	24801-2698	1.235	2.000	0.625
EQ	24801-2087	2.756	3.937	0.500	EQ	24801-2720	1.437	2.437	0.625
EQ	24801-2127	1.654	2.598	0.625	EQ	24801-2723	1.688	2.688	0.625
EQ	24801-2141	4.563	5.751	0.625	EQ	24801-2753	4.500	5.500	0.500
EQ	24801-2145	2.937	3.688	0.500	EQ	24801-2755	4.500	5.500	0.625
EQ	24801-2159	2.938	3.938	0.500	EQ	24801-2759	4.500	5.750	0.500
EQ	24801-2166	2.953	3.937	0.625	EQ	24801-2761	4.500	5.750	0.625
EQ	24801-2167	2.937	4.000	0.500	EQ	24801-2766	5.188	6.188	0.625
EQ	24801-2172	3.000	3.875	0.625	EQ	24801-2780	4.528	5.512	0.625
EQ	24801-2173	3.000	3.875	0.500	EQ	24801-2808	4.625	5.625	0.625
EQ	24801-2175	3.000	4.000	0.750	EQ	24801-2851	4.750	6.250	0.625
EQ	24801-2177	3.000	4.125	0.500	EQ	24801-2874	4.250	5.375	0.625
EQ	24801-2222	3.125	4.000	0.625	EQ	24801-2875	4.875	6.000	0.625
EQ	24801-2230	3.937	4.921	0.625	EQ	24801-2885	4.437	5.500	0.625
EQ	24801-2239	3.150	4.528	0.500	EQ	24801-2894	4.937	6.000	0.500
EQ	24801-2240	3.150	3.937	0.625	EQ	24801-2902	3.543	4.724	0.625
EQ	24801-2250	2.756	3.937	0.625	EQ	24801-2918	1.654	2.441	0.625
EQ	24801-2260	1.378	2.165	0.625	EQ	24801-2919	2.756	3.543	0.625
EQ	24801-2264	2.750	3.625	0.625	EQ	24801-2923	5.000	6.250	0.625
EQ	24801-2272	3.150	4.134	0.625	EQ	24801-2930	4.921	6.890	0.625
EQ	24801-2280	3.250	4.250	0.625	EQ	24801-2931	4.750	5.750	0.625
EQ	24801-2291	4.500	6.250	0.625	EQ	24801-2948	4.560	6.125	0.625
EQ	24801-2311	3.346	4.528	0.630	EQ	24801-2962	3.937	5.000	0.625
EQ	24801-2321	3.375	4.375	0.500	EQ	24801-2969	1.969	3.189	0.625
EQ	24801-2322	3.375	4.375	0.625	EQ	24801-2987	1.625	2.500	0.625
EQ	24801-2326	3.375	4.500	0.625	EQ	24801-3021	3.740	4.724	0.625
EQ	24801-2335	3.438	4.625	0.625	EQ	24801-3061	2.500	3.725	0.625

All dimensions are in inches. Preferred sizes are indicated with **bold** type face.

Sizes listed are for standard nitrile elements, except Models 25 and 62 which have PTFE elements. Other material available on inquiry only.

Garlock

Oil Seals by Model Number

MODEL NO	PART NO	SHAFT	BORE	WIDTH	MODEL NO	PART NO	SHAFT	BORE	WIDTH
EQ	24801-3063	5.250	6.256	0.625	EQ	24801-5047	3.188	4.249	0.625
EQ	24801-3071	1.719	2.625	0.625	EQ	24801-5048	4.375	5.500	0.625
EQ	24801-3143	1.838	2.750	0.625	EQ	24801-5088	5.315	6.496	0.625
EQ	24801-3161	3.346	4.331	0.625	EQ	24801-5089	4.921	6.102	0.625
EQ	24801-3164	4.810	6.000	0.625	EQ	24801-5140	5.512	6.496	0.625
EQ	24801-3165	4.788	6.000	0.625	EQ	24801-5164	4.591	5.508	0.625
EQ	24801-3184	5.500	6.750	0.625	EQ	24801-5223	0.748	1.496	0.625
EQ	24801-3223	2.160	3.250	0.625	EQ	24801-5269	3.150	5.118	0.625
EQ	24801-3225	1.969	2.756	0.625	EQ	24801-5309	4.133	5.511	0.625
EQ	24801-3239	2.312	3.062	0.625	EQ	24801-5325	0.787	1.654	0.625
EQ	24801-3241	1.573	3.250	0.625	EQ	24801-5416	0.669	1.575	0.625
EQ	24801-3247	2.187	3.062	0.625	EQ	24801-5431	2.362	3.150	0.625
EQ	24801-3263	0.945	1.732	0.625	EQ	24801-5446	1.181	2.030	0.625
EQ	24801-3267	2.312	3.750	0.625	EQ	24801-5488	2.441	3.346	0.625
EQ	24801-3270	1.750	3.750	0.625	EQ	24801-5521	3.346	4.724	0.625
EQ	24801-3357	6.000	7.000	0.625	EQ	24801-5593	0.984	1.969	0.625
EQ	24801-3366	2.250	3.625	0.625	EQ	24801-5732	2.250	3.312	0.625
EQ	24801-3398	1.000	1.750	0.625	EQ	24801-5785	2.500	3.438	0.625
EQ	24801-3430	6.500	7.750	0.625	EQ	24801-5792	5.250	6.250	0.625
EQ	24801-3455	2.438	3.431	0.625	EQ	24801-7682	3.125	4.250	0.625
EQ	24801-3464	6.750	8.250	0.625	EQ	24801-9724	3.000	4.250	0.625
EQ	24801-3474	3.937	5.250	0.625	EQ	24802-0706	1.875	3.000	0.625
EQ	24801-3491	2.438	3.500	0.625	EQ	24802-0709	2.125	2.875	0.500
EQ	24801-3506	1.875	2.758	0.625	EQ	24802-0748	1.875	2.625	0.500
EQ	24801-3518	7.250	8.250	0.625	EQ	24802-0754	1.375	2.500	0.625
EQ	24801-3584	3.346	4.528	0.551	EQ	24802-0765	1.125	2.001	0.500
EQ	24801-3588	7.875	9.375	0.625	EQ	24802-0770	1.625	2.750	0.625
EQ	24801-3593	3.150	4.331	0.625	EQ	24802-0787	1.250	2.375	0.625
EQ	24801-3596	8.000	9.250	0.625	EQ	24802-0792	1.875	2.875	0.625
EQ	24801-3628	1.575	2.500	0.625	EQ	24802-0811	4.250	5.500	0.625
EQ	24801-3632	0.937	1.837	0.625	EQ	24802-0815	1.125	2.250	0.625
EQ	24801-3642	3.000	3.937	0.625	EQ	24802-0819	1.875	3.125	0.500
EQ	24801-3679	10.500	11.750	0.875	EQ	24802-0832	1.125	2.125	0.625
EQ	24801-3785	5.000	6.375	0.625	EQ	24802-0879	1.750	2.875	0.500
EQ	24801-3790	4.935	6.000	0.625	EQ	24802-0988	1.125	2.001	0.625
EQ	24801-3796	1.063	1.938	0.625	EQ	24802-0989	1.875	2.625	0.625
EQ	24801-3830	3.937	4.875	0.625	EQ	24802-0990	1.750	2.625	0.562
EQ	24801-3913	6.299	7.480	0.625	EQ	24802-0991	2.500	3.251	0.625
EQ	24801-3915	1.575	3.425	0.625	EQ	24802-0997	2.937	4.003	0.625
EQ	24801-3964	0.750	1.575	0.625	EQ	24802-0998	1.750	2.875	0.625
EQ	24801-3971	1.500	3.045	0.625	EQ	24802-1010	2.125	3.189	0.625
EQ	24801-4195	2.520	4.250	0.625	EQ	24802-1012	0.875	1.625	0.625
EQ	24801-4444	2.158	3.150	0.625	EQ	24802-1024	6.000	7.500	0.625
EQ	24801-4461	3.250	4.999	0.625	EQ	24802-1026	1.750	2.500	0.625
EQ	24801-4563	0.984	1.850	0.625	EQ	24802-1028	3.250	4.000	0.625
EQ	24801-4568	0.512	1.606	0.625	EQ	24802-1062	1.750	2.625	0.625
EQ	24801-4631	2.500	4.250	0.625	EQ	24802-1075	1.875	2.750	0.625
EQ	24801-4639	1.375	2.828	0.625	EQ	24802-1080	3.625	4.375	0.625
EQ	24801-4651	4.000	5.000	0.500	EQ	24802-1081	2.875	3.750	0.625
EQ	24801-4682	4.705	5.750	0.625	EQ	24802-1082	4.331	5.512	0.625
EQ	24801-4741	2.850	3.650	0.625	EQ	24802-1083	1.000	2.000	0.625
EQ	24801-4947	1.969	2.835	0.625	EQ	24802-1086	2.625	3.677	0.625

All dimensions are in inches. Preferred sizes are indicated with **bold** type face.

Sizes listed are for standard nitrile elements, except Models 25 and 62 which have PTFE elements. Other material available on inquiry only.

Oil Seals by Model Number

Garlock

MODEL NO	PART NO	SHAFT	BORE	WIDTH	MODEL NO	PART NO	SHAFT	BORE	WIDTH
EQ	24802-1087	2.625	3.688	0.625	EQ	24802-1250	2.750	3.750	0.625
EQ	24802-1089	1.625	2.625	0.625	EQ	24802-1251	2.562	3.562	0.625
EQ	24802-1090	0.875	1.750	0.625	EQ	24802-1265	3.000	3.750	0.625
EQ	24802-1091	1.125	3.150	0.625	EQ	24802-1267	1.570	2.338	0.625
EQ	24802-1092	1.375	2.125	0.625	EQ	24802-1268	2.875	3.875	0.625
EQ	24802-1095	3.750	5.250	0.625	EQ	24802-1270	1.625	2.438	0.625
EQ	24802-1098	2.562	3.437	0.625	EQ	24802-1322	2.125	2.875	0.625
EQ	24802-1100	1.427	2.500	0.625	EQ	24802-1323	2.125	3.000	0.625
EQ	24802-1101	1.375	2.375	0.625	EQ	24802-1328	0.624	1.374	0.625
EQ	24802-1105	1.375	3.125	0.625	EQ	24802-1340	2.165	3.000	0.625
EQ	24802-1110	1.062	1.812	0.625	EQ	24802-1341	1.688	2.750	0.625
EQ	24802-1115	0.937	1.687	0.625	EQ	24802-1346	3.937	5.118	0.625
EQ	24802-1116	1.437	2.250	0.625	EQ	24802-1347	3.937	4.724	0.625
EQ	24802-1118	1.500	2.125	0.625	EQ	24802-1348	2.362	3.150	0.625
EQ	24802-1119	2.188	3.000	0.625	EQ	24802-1349	5.906	7.087	0.625
EQ	24802-1121	1.375	2.250	0.625	EQ	24802-1350	2.000	3.000	0.625
EQ	24802-1123	1.938	3.000	0.625	EQ	24802-1351	2.313	3.313	0.625
EQ	24802-1138	1.375	2.835	0.625	EQ	24802-1353	2.187	3.189	0.625
EQ	24802-1139	1.465	2.343	0.625	EQ	24802-1357	1.000	2.125	0.625
EQ	24802-1141	1.938	2.812	0.625	EQ	24802-1398	1.873	2.812	0.625
EQ	24802-1142	2.938	3.812	0.625	EQ	24802-1403	0.875	1.937	0.625
EQ	24802-1144	3.938	4.937	0.625	EQ	24802-1405	0.750	1.499	0.625
EQ	24802-1152	1.125	1.876	0.625	EQ	24802-1406	2.000	2.875	0.625
EQ	24802-1162	2.625	3.750	0.625	EQ	24802-1411	1.334	2.363	0.625
EQ	24802-1166	1.500	2.625	0.625	EQ	24802-1420	1.250	2.250	0.625
EQ	24802-1174	3.562	4.751	0.625	EQ	24802-1479	2.250	3.000	0.625
EQ	24802-1176	2.062	2.996	0.625	EQ	24802-1483	2.250	3.125	0.625
EQ	24802-1180	2.250	3.187	0.625	EQ	24802-1493	2.250	3.250	0.625
EQ	24802-1183	9.750	11.250	1.000	EQ	24802-1494	2.250	3.250	0.500
EQ	24802-1185	6.500	8.000	1.000	EQ	24802-1498	2.250	3.350	0.625
EQ	24802-1186	1.562	2.625	0.625	EQ	24802-1499	1.181	2.211	0.625
EQ	24802-1194	1.500	2.499	0.625	EQ	24802-1552	2.313	3.250	0.625
EQ	24802-1197	1.968	2.953	0.625	EQ	24802-1581	2.375	3.250	0.625
EQ	24802-1199	1.181	2.358	0.625	EQ	24802-1641	2.437	3.437	0.625
EQ	24802-1203	2.625	3.489	0.625	EQ	24802-1645	2.375	3.125	0.625
EQ	24802-1205	2.875	4.003	0.625	EQ	24802-1654	2.375	3.375	0.625
EQ	24802-1207	3.125	4.130	0.625	EQ	24802-1739	3.149	3.942	0.625
EQ	24802-1209	3.313	4.130	0.625	EQ	24802-1740	2.628	3.750	0.625
EQ	24802-1211	2.375	3.500	0.625	EQ	24802-1743	1.938	2.875	0.625
EQ	24802-1212	2.500	3.375	0.625	EQ	24802-1744	1.750	2.750	0.625
EQ	24802-1214	1.500	2.375	0.625	EQ	24802-1752	1.378	2.362	0.625
EQ	24802-1215	1.250	2.000	0.625	EQ	24802-1754	1.000	1.875	0.625
EQ	24802-1216	3.000	3.881	0.625	EQ	24802-1755	2.250	3.500	0.625
EQ	24802-1220	3.000	4.000	0.625	EQ	24802-1760	1.968	2.875	0.625
EQ	24802-1225	2.062	3.000	0.625	EQ	24802-1761	2.125	3.125	0.625
EQ	24802-1237	3.250	4.003	0.625	EQ	24802-1763	1.500	2.250	0.625
EQ	24802-1238	2.750	3.500	0.625	EQ	24802-1764	6.250	7.125	0.625
EQ	24802-1239	7.250	8.750	0.625	EQ	24802-1765	0.875	2.000	0.625
EQ	24802-1242	2.750	3.543	0.625	EQ	24802-1766	2.313	3.250	0.625
EQ	24802-1245	2.250	3.375	0.625	EQ	24802-1768	4.188	5.004	0.625
EQ	24802-1248	2.125	3.520	0.625	EQ	24802-1776	2.375	3.350	0.625
EQ	24802-1249	2.000	2.750	0.625	EQ	24802-1779	1.560	2.590	0.625

All dimensions are in inches. Preferred sizes are indicated with **bold** type face.

Sizes listed are for standard nitrile elements, except Models 25 and 62 which have PTFE elements. Other material available on inquiry only.

Garlock

Oil Seals by Model Number

MODEL NO	PART NO	SHAFT	BORE	WIDTH	MODEL NO	PART NO	SHAFT	BORE	WIDTH
EQ	24802-1803	1.574	2.575	0.625	EQ	24802-2005	2.165	3.150	0.625
EQ	24802-1804	1.771	2.996	0.625	EQ	24802-2010	2.717	3.752	0.625
EQ	24802-1805	2.165	3.189	0.625	EQ	24802-2016	2.500	3.189	0.625
EQ	24802-1806	2.362	3.362	0.625	EQ	24802-2028	0.807	2.165	0.625
EQ	24802-1807	2.559	3.500	0.625	EQ	24802-2038	1.932	2.750	0.625
EQ	24802-1810	2.755	3.750	0.625	EQ	24802-2046	3.938	5.501	0.625
EQ	24802-1811	2.952	4.000	0.625	EQ	24802-2048	4.875	5.875	0.625
EQ	24802-1813	3.149	4.500	0.625	EQ	24802-2050	4.375	5.375	0.625
EQ	24802-1814	3.346	4.375	0.625	EQ	24802-2051	4.563	5.563	0.625
EQ	24802-1815	3.543	4.500	0.625	EQ	24802-2059	2.756	3.543	0.625
EQ	24802-1816	3.740	4.750	0.625	EQ	24802-2062	2.750	3.875	0.625
EQ	24802-1817	4.330	5.250	0.625	EQ	24802-2083	2.938	3.938	0.625
EQ	24802-1818	2.500	3.500	0.625	EQ	24802-2086	2.875	3.625	0.625
EQ	24802-1834	2.500	4.375	0.625	EQ	24802-2091	3.000	4.500	0.625
EQ	24802-1840	4.443	5.500	0.625	EQ	24802-2106	4.187	5.500	0.625
EQ	24802-1841	2.625	3.625	0.625	EQ	24802-2107	1.437	2.500	0.625
EQ	24802-1849	2.125	3.050	0.625	EQ	24802-2108	1.937	3.125	0.625
EQ	24802-1850	1.187	2.441	0.625	EQ	24802-2115	2.062	3.125	0.625
EQ	24802-1854	2.125	3.250	0.625	EQ	24802-2160	1.000	2.441	0.625
EQ	24802-1858	2.559	3.465	0.625	EQ	24802-2166	2.953	3.937	0.625
EQ	24802-1862	1.937	2.750	0.625	EQ	24802-2171	3.000	4.008	0.625
EQ	24802-1872	1.500	2.460	0.625	EQ	24802-2172	3.000	3.875	0.625
EQ	24802-1874	1.500	2.410	0.625	EQ	24802-2179	3.000	4.125	0.625
EQ	24802-1876	2.362	3.228	0.625	EQ	24802-2195	1.250	2.875	0.625
EQ	24802-1878	2.875	4.380	0.625	EQ	24802-2201	3.062	4.062	0.625
EQ	24802-1882	3.500	4.625	0.625	EQ	24802-2209	3.122	4.000	0.625
EQ	24802-1883	2.559	3.543	0.625	EQ	24802-2210	3.750	4.500	0.625
EQ	24802-1884	2.165	3.165	0.625	EQ	24802-2223	3.125	4.125	0.625
EQ	24802-1887	2.563	3.512	0.625	EQ	24802-2224	3.125	4.375	0.625
EQ	24802-1891	1.875	2.997	0.625	EQ	24802-2230	3.937	4.921	0.625
EQ	24802-1893	2.625	3.500	0.625	EQ	24802-2240	3.150	3.937	0.625
EQ	24802-1898	1.781	3.125	0.625	EQ	24802-2250	2.756	3.937	0.625
EQ	24802-1901	2.250	3.189	0.625	EQ	24802-2260	1.378	2.165	0.625
EQ	24802-1906	2.165	3.543	0.625	EQ	24802-2261	3.526	4.526	0.625
EQ	24802-1915	1.625	2.375	0.625	EQ	24802-2264	2.750	3.625	0.625
EQ	24802-1929	1.375	2.439	0.625	EQ	24802-2270	5.250	6.250	0.625
EQ	24802-1932	1.250	2.125	0.625	EQ	24802-2280	3.250	4.250	0.625
EQ	24802-1935	1.890	2.756	0.625	EQ	24802-2286	3.250	4.375	0.625
EQ	24802-1942	2.438	3.250	0.625	EQ	24802-2288	1.475	2.335	0.625
EQ	24802-1943	2.356	3.625	0.625	EQ	24802-2292	1.766	2.750	0.625
EQ	24802-1951	2.500	3.625	0.625	EQ	24802-2296	3.313	4.125	0.625
EQ	24802-1958	1.438	2.375	0.625	EQ	24802-2304	3.313	4.500	0.625
EQ	24802-1960	4.187	5.875	0.625	EQ	24802-2312	2.280	3.280	0.625
EQ	24802-1961	3.875	5.500	0.625	EQ	24802-2316	3.375	4.250	0.625
EQ	24802-1962	2.625	3.375	0.625	EQ	24802-2322	3.375	4.375	0.625
EQ	24802-1975	1.969	3.150	0.625	EQ	24802-2326	3.375	4.500	0.625
EQ	24802-1980	2.937	3.750	0.625	EQ	24802-2332	3.408	4.500	0.625
EQ	24802-1981	2.244	3.268	0.625	EQ	24802-2335	3.438	4.626	0.625
EQ	24802-1982	2.812	3.580	0.625	EQ	24802-2368	3.500	4.500	0.625
EQ	24802-1988	3.307	4.331	0.625	EQ	24802-2374	3.500	4.750	0.625
EQ	24802-2001	2.000	3.125	0.625	EQ	24802-2378	3.500	4.375	0.625
EQ	24802-2003	2.687	3.500	0.625	EQ	24802-2419	3.625	4.625	0.625

All dimensions are in inches. Preferred sizes are indicated with **bold** type face. Sizes listed are for standard nitrile elements, except Models 25 and 62 which have PTFE elements. Other material available on inquiry only.

Oil Seals by Model Number

Garlock

MODEL NO	PART NO	SHAFT	BORE	WIDTH	MODEL NO	PART NO	SHAFT	BORE	WIDTH
EQ	24802-2464	3.750	4.750	0.625	EQ	24802-2885	4.437	5.500	0.625
EQ	24802-2474	3.188	3.250	0.625	EQ	24802-2891	3.937	4.900	0.625
EQ	24802-2476	1.181	2.350	0.625	EQ	24802-2896	4.937	6.000	0.625
EQ	24802-2480	1.968	2.935	0.625	EQ	24802-2897	2.264	3.250	0.625
EQ	24802-2483	3.750	5.000	0.625	EQ	24802-2902	3.543	4.724	0.625
EQ	24802-2489	2.186	3.186	0.625	EQ	24802-2904	5.438	6.688	0.625
EQ	24802-2492	3.000	4.617	0.625	EQ	24802-2917	5.000	6.000	0.625
EQ	24802-2503	3.875	4.875	0.625	EQ	24802-2920	1.908	2.875	0.625
EQ	24802-2506	3.875	5.000	0.625	EQ	24802-2923	5.000	6.250	0.625
EQ	24802-2520	2.625	3.371	0.625	EQ	24802-2924	5.000	6.256	0.625
EQ	24802-2523	3.346	4.134	0.625	EQ	24802-2931	4.750	5.750	0.625
EQ	24802-2527	3.360	5.000	0.625	EQ	24802-2942	3.937	4.883	0.625
EQ	24802-2539	4.938	5.938	0.625	EQ	24802-2944	3.450	4.500	0.625
EQ	24802-2542	4.000	5.125	0.625	EQ	24802-2949	4.599	5.599	0.625
EQ	24802-2577	3.438	4.438	0.625	EQ	24802-2950	3.006	4.006	0.625
EQ	24802-2593	4.000	5.000	0.625	EQ	24802-2951	2.357	3.357	0.625
EQ	24802-2604	4.125	5.125	0.625	EQ	24802-2957	2.750	4.000	0.625
EQ	24802-2605	4.125	5.250	0.625	EQ	24802-2963	4.438	5.750	0.625
EQ	24802-2616	4.125	5.750	0.625	EQ	24802-2971	1.571	2.571	0.625
EQ	24802-2618	2.350	3.350	0.625	EQ	24802-2972	3.740	5.118	0.625
EQ	24802-2622	1.375	2.875	0.625	EQ	24802-2974	4.331	5.331	0.625
EQ	24802-2623	4.188	5.256	0.625	EQ	24802-2986	5.088	6.088	0.625
EQ	24802-2625	4.134	5.118	0.625	EQ	24802-2987	1.625	2.500	0.625
EQ	24802-2629	4.134	5.134	0.625	EQ	24802-2998	5.125	6.375	0.625
EQ	24802-2632	2.312	3.500	0.625	EQ	24802-2999	2.125	3.312	0.625
EQ	24802-2634	2.750	4.125	0.625	EQ	24802-3002	1.437	2.310	0.625
EQ	24802-2635	2.656	4.003	0.625	EQ	24802-3004	2.500	3.433	0.625
EQ	24802-2643	3.075	4.325	0.625	EQ	24802-3005	3.187	4.312	0.625
EQ	24802-2651	2.362	3.346	0.625	EQ	24802-3006	2.375	3.437	0.625
EQ	24802-2659	4.250	5.250	0.625	EQ	24802-3007	2.500	3.562	0.625
EQ	24802-2662	2.500	3.543	0.625	EQ	24802-3009	3.250	4.313	0.625
EQ	24802-2689	4.313	5.750	0.625	EQ	24802-3012	2.755	3.755	0.625
EQ	24802-2694	1.375	2.437	0.625	EQ	24802-3015	2.174	3.174	0.625
EQ	24802-2698	1.235	2.000	0.625	EQ	24802-3016	2.569	3.569	0.625
EQ	24802-2700	4.313	5.500	0.625	EQ	24802-3017	3.201	4.201	0.625
EQ	24802-2711	0.875	1.875	0.625	EQ	24802-3018	3.948	4.948	0.625
EQ	24802-2730	1.938	2.938	0.625	EQ	24802-3021	3.740	4.724	0.625
EQ	24802-2733	4.437	5.500	0.562	EQ	24802-3022	5.118	6.299	0.625
EQ	24802-2735	2.063	3.063	0.625	EQ	24802-3023	2.688	3.543	0.625
EQ	24802-2736	2.687	3.687	0.625	EQ	24802-3024	3.071	3.937	0.625
EQ	24802-2740	4.450	5.325	0.625	EQ	24802-3025	2.283	3.543	0.625
EQ	24802-2744	3.688	4.688	0.625	EQ	24802-3029	1.562	2.500	0.625
EQ	24802-2747	4.188	5.188	0.625	EQ	24802-3038	4.255	5.255	0.625
EQ	24802-2755	4.500	5.500	0.625	EQ	24802-3039	3.786	4.786	0.625
EQ	24802-2780	4.527	5.512	0.625	EQ	24802-3045	3.346	4.321	0.625
EQ	24802-2808	4.625	5.625	0.625	EQ	24802-3048	1.500	2.563	0.625
EQ	24802-2816	2.559	3.346	0.625	EQ	24802-3052	2.160	3.160	0.625
EQ	24802-2843	2.875	4.000	0.625	EQ	24802-3054	2.153	3.153	0.625
EQ	24802-2857	1.185	2.442	0.625	EQ	24802-3055	2.436	3.436	0.625
EQ	24802-2859	1.125	2.441	0.625	EQ	24802-3056	2.222	3.222	0.625
EQ	24802-2874	4.250	5.375	0.625	EQ	24802-3057	5.250	6.000	0.625
EQ	24802-2875	4.875	6.000	0.625	EQ	24802-3058	2.125	3.500	0.625

All dimensions are in inches. Preferred sizes are indicated with **bold** type face.

Sizes listed are for standard nitrile elements, except Models 25 and 62 which have PTFE elements. Other material available on inquiry only.

Garlock

Oil Seals by Model Number

MODEL NO	PART NO	SHAFT	BORE	WIDTH	MODEL NO	PART NO	SHAFT	BORE	WIDTH
EQ	24802-3062	4.680	6.000	0.625	EQ	24802-3290	1.932	2.932	0.625
EQ	24802-3064	2.380	3.380	0.625	EQ	24802-3294	2.438	3.350	0.625
EQ	24802-3067	5.250	6.500	0.625	EQ	24802-3299	3.345	4.304	0.625
EQ	24802-3072	3.735	4.735	0.625	EQ	24802-3309	2.362	3.346	0.625
EQ	24802-3073	5.250	6.750	0.625	EQ	24802-3316	2.953	3.740	0.625
EQ	24802-3083	2.060	3.060	0.625	EQ	24802-3318	4.331	5.118	0.625
EQ	24802-3086	2.933	3.750	0.625	EQ	24802-3321	1.625	2.374	0.625
EQ	24802-3087	1.378	3.150	0.625	EQ	24802-3334	3.402	4.375	0.625
EQ	24802-3088	0.866	1.969	0.625	EQ	24802-3344	3.438	4.313	0.625
EQ	24802-3093	2.875	4.625	0.625	EQ	24802-3349	2.000	3.000	0.750
EQ	24802-3094	4.335	5.335	0.625	EQ	24802-3357	6.000	7.000	0.625
EQ	24802-3095	5.115	6.115	0.625	EQ	24802-3366	2.250	3.625	0.625
EQ	24802-3096	3.015	4.015	0.625	EQ	24802-3380	2.437	4.509	0.625
EQ	24802-3099	2.505	3.505	0.625	EQ	24802-3381	2.750	4.533	0.625
EQ	24802-3101	3.385	4.385	0.625	EQ	24802-3388	1.181	2.181	0.625
EQ	24802-3104	3.900	4.900	0.625	EQ	24802-3398	1.000	1.750	0.625
EQ	24802-3105	4.540	6.150	0.625	EQ	24802-3424	6.437	7.687	0.625
EQ	24802-3107	2.755	3.741	0.625	EQ	24802-3474	3.938	5.251	0.625
EQ	24802-3108	2.402	3.290	0.625	EQ	24802-3480	2.312	3.371	0.625
EQ	24802-3109	3.228	4.448	0.625	EQ	24802-3491	2.438	3.500	0.625
EQ	24802-3137	2.900	3.900	0.625	EQ	24802-3493	2.932	3.806	0.625
EQ	24802-3138	3.010	4.010	0.625	EQ	24802-3498	1.574	3.937	0.625
EQ	24802-3139	3.335	4.335	0.625	EQ	24802-3506	1.875	2.758	0.625
EQ	24802-3153	2.230	3.230	0.625	EQ	24802-3513	2.932	3.932	0.625
EQ	24802-3154	2.440	3.440	0.625	EQ	24802-3514	2.650	3.630	0.625
EQ	24802-3161	3.346	4.330	0.625	EQ	24802-3519	2.950	3.960	0.625
EQ	24802-3162	5.315	6.693	0.625	EQ	24802-3524	1.980	2.875	0.625
EQ	24802-3168	4.565	5.565	0.625	EQ	24802-3540	2.360	4.090	0.625
EQ	24802-3169	2.150	3.150	0.625	EQ	24802-3541	2.000	2.884	0.625
EQ	24802-3170	2.560	3.560	0.625	EQ	24802-3552	7.500	9.000	0.625
EQ	24802-3174	2.750	4.375	0.625	EQ	24802-3560	2.000	2.855	0.625
EQ	24802-3179	4.725	5.905	0.625	EQ	24802-3568	2.480	3.543	0.625
EQ	24802-3180	6.693	7.874	0.625	EQ	24802-3570	3.000	4.003	0.625
EQ	24802-3184	5.500	6.750	0.625	EQ	24802-3576	1.625	2.800	0.625
EQ	24802-3185	3.815	4.815	0.625	EQ	24802-3577	2.307	4.331	0.625
EQ	24802-3210	4.230	5.230	0.625	EQ	24802-3582	2.312	3.438	0.625
EQ	24802-3221	2.998	3.998	0.625	EQ	24802-3593	3.150	4.331	0.625
EQ	24802-3224	4.245	5.245	0.625	EQ	24802-3600	1.969	3.543	0.625
EQ	24802-3234	2.550	3.550	0.625	EQ	24802-3646	3.375	5.290	0.625
EQ	24802-3236	5.625	6.875	0.625	EQ	24802-3650	2.625	3.683	0.625
EQ	24802-3240	3.562	4.500	0.625	EQ	24802-3727	5.181	6.118	0.625
EQ	24802-3244	2.562	4.125	0.625	EQ	24802-3728	5.512	6.512	0.625
EQ	24802-3251	4.425	5.626	0.625	EQ	24802-3735	2.559	3.620	0.625
EQ	24802-3257	1.750	2.716	0.625	EQ	24802-3736	2.950	4.250	0.625
EQ	24802-3263	0.945	1.732	0.625	EQ	24802-3745	1.889	2.889	0.625
EQ	24802-3264	1.886	2.886	0.625	EQ	24802-3753	3.437	5.125	0.625
EQ	24802-3265	3.543	4.331	0.625	EQ	24802-3772	1.161	2.000	0.625
EQ	24802-3266	1.967	2.967	0.625	EQ	24802-3777	3.188	5.000	0.625
EQ	24802-3268	1.562	2.437	0.625	EQ	24802-3785	5.000	6.375	0.625
EQ	24802-3277	5.750	6.750	0.625	EQ	24802-3962	3.185	4.185	0.625
EQ	24802-3282	4.245	5.626	0.625	EQ	24802-3966	3.312	4.375	0.625
EQ	24802-3284	1.493	2.493	0.625	EQ	24802-3975	1.750	3.125	0.625

All dimensions are in inches. Preferred sizes are indicated with **bold** type face. Sizes listed are for standard nitrile elements, except Models 25 and 62 which have PTFE elements. Other material available on inquiry only.

Oil Seals by Model Number

Garlock

MODEL NO	PART NO	SHAFT	BORE	WIDTH	MODEL NO	PART NO	SHAFT	BORE	WIDTH
EQ	24802-3983	3.934	4.934	0.625	EQ	24802-5448	1.654	4.193	0.625
EQ	24802-3986	2.428	3.428	0.625	EQ	24802-5448	1.654	4.193	0.625
EQ	24802-3989	2.756	4.331	0.625	EQ	24802-5449	3.562	4.625	0.625
EQ	24802-4057	2.062	3.625	0.625	EQ	24802-5449	3.562	4.625	0.625
EQ	24802-4084	1.428	2.375	0.625	EQ	24802-5461	3.500	4.875	0.625
EQ	24802-4085	2.375	3.875	0.625	EQ	24802-5490	2.375	3.365	0.625
EQ	24802-4091	3.938	5.315	0.625	EQ	24802-5494	1.725	2.625	0.625
EQ	24802-4096	1.378	2.545	0.625	EQ	24802-5510	4.646	5.906	0.625
EQ	24802-4102	1.496	2.496	0.625	EQ	24802-5573	1.125	2.437	0.625
EQ	24802-4103	2.065	3.065	0.625	EQ	24802-5593	0.984	1.969	0.625
EQ	24802-4201	2.205	3.150	0.625	EQ	24802-5625	7.087	8.465	0.625
EQ	24802-4202	1.562	2.750	0.625	EQ	24802-5917	1.378	2.441	0.625
EQ	24802-4341	1.772	2.441	0.625	EQ	24807-1025	1.156	1.875	0.690
EQ	24802-4342	1.177	2.500	0.625	EQ	24807-1352	1.125	1.624	0.690
EQ	24802-4346	1.500	2.545	0.625	EQ	24807-1359	1.575	2.047	0.690
EQ	24802-4358	2.437	3.481	0.625	EQ	24807-1361	2.000	2.710	0.690
EQ	24802-4390	4.250	5.625	0.625	EQ	24807-1363	0.969	1.499	0.690
EQ	24802-4392	2.312	3.625	0.625	EQ	24807-1780	1.750	2.437	0.690
EQ	24802-4415	1.125	2.188	0.625	EQ	24807-1782	1.250	1.750	0.690
EQ	24802-4442	2.244	3.250	0.625	EQ	24807-1783	1.438	1.938	0.690
EQ	24802-4447	2.166	3.937	0.625	EQ	24807-1786	0.750	1.379	0.690
EQ	24802-4456	1.437	2.125	0.625	EQ	24807-1802	2.250	2.750	0.690
EQ	24802-4469	2.726	3.726	0.625	EQ	24807-1846	1.969	2.677	0.690
EQ	24802-4482	2.187	5.125	0.625	EQ	24807-1876	2.360	3.228	0.690
EQ	24802-4521	1.932	2.806	0.625	EQ	24807-1888	1.438	2.125	0.690
EQ	24802-4563	0.984	1.850	0.625	EQ	24807-1903	1.781	2.500	0.690
EQ	24802-4568	0.512	1.606	0.625	EQ	24807-1905	0.787	1.260	0.690
EQ	24802-4596	0.787	1.575	0.625	EQ	24807-1912	2.438	3.125	0.690
EQ	24802-4597	2.433	4.049	0.625	EQ	24807-1923	1.772	2.441	0.690
EQ	24802-4607	6.750	8.750	0.875	EQ	24807-1955	0.875	1.500	0.690
EQ	24802-4653	1.188	2.358	0.625	EQ	24807-1970	1.375	2.000	0.690
EQ	24802-4660	2.047	2.953	0.625	EQ	24807-2025	2.500	3.189	0.690
EQ	24802-4685	1.469	2.375	0.625	EQ	24807-2045	3.000	3.500	0.690
EQ	24802-4696	3.777	4.732	0.625	EQ	24807-2124	0.375	0.875	0.690
EQ	24802-4697	3.934	5.120	0.625	EQ	24807-2138	2.937	3.623	0.690
EQ	24802-4743	4.438	5.890	0.625	EQ	24807-2153	2.937	3.625	0.690
EQ	24802-4896	2.435	4.094	0.625	EQ	24807-2155	1.969	2.638	0.690
EQ	24802-4935	1.496	2.441	0.625	EQ	24807-2164	1.625	2.250	0.690
EQ	24802-4943	1.890	2.835	0.625	EQ	24807-2165	2.998	3.515	0.690
EQ	24802-5047	3.188	4.249	0.625	EQ	24807-2200	1.750	2.375	0.690
EQ	24802-5069	2.875	4.375	0.625	EQ	24807-2287	4.125	4.750	0.690
EQ	24802-5095	2.756	3.622	0.625	EQ	24807-2329	1.062	1.656	0.690
EQ	24802-5096	2.000	3.500	0.625	EQ	24807-2336	2.000	2.500	0.690
EQ	24802-5110	3.346	5.118	0.625	EQ	24807-2485	2.165	2.874	0.690
EQ	24802-5309	4.133	5.511	0.625	EQ	24807-2495	1.932	2.625	0.690
EQ	24802-5360	1.625	2.125	0.625	EQ	24807-2512	1.375	1.874	0.690
EQ	24802-5368	2.125	3.875	0.625	EQ	24807-2522	1.688	2.125	0.690
EQ	24802-5369	2.125	4.000	0.625	EQ	24807-2524	1.313	2.000	0.690
EQ	24802-5371	1.125	2.043	0.625	EQ	24807-2537	2.147	2.875	0.690
EQ	24802-5382	3.544	4.565	0.625	EQ	24807-2563	0.937	1.500	0.690
EQ	24802-5434	1.187	2.437	0.625	EQ	24807-2567	2.250	2.625	0.690
EQ	24802-5434	1.187	2.437	0.625	EQ	24807-2578	1.500	2.000	0.690

All dimensions are in inches. Preferred sizes are indicated with **bold** type face.

Sizes listed are for standard nitrile elements, except Models 25 and 62 which have PTFE elements. Other material available on inquiry only.

Garlock

Oil Seals by Model Number

MODEL NO	PART NO	SHAFT	BORE	WIDTH	MODEL NO	PART NO	SHAFT	BORE	WIDTH
EQ	24807-2667	2.250	2.875	0.690	EQ	24807-3505	2.165	2.952	0.690
EQ	24807-2675	2.165	2.756	0.690	EQ	24807-3533	1.250	2.250	0.690
EQ	24807-2681	1.890	2.559	0.690	EQ	24807-3557	3.937	4.687	0.690
EQ	24807-2688	1.000	1.500	0.690	EQ	24807-3565	1.875	2.500	0.690
EQ	24807-2692	1.375	2.062	0.690	EQ	24807-3622	1.250	1.687	0.690
EQ	24807-2693	1.750	2.500	0.690	EQ	24807-3638	1.181	1.850	0.690
EQ	24807-2695	1.000	1.750	0.690	EQ	24807-3639	2.362	3.150	0.690
EQ	24807-2806	1.181	1.625	0.690	EQ	24807-3645	2.312	3.187	0.690
EQ	24807-2828	0.625	1.250	0.690	EQ	24807-3657	2.283	3.835	0.690
EQ	24807-2829	1.125	1.625	0.690	EQ	24807-3674	3.150	3.937	0.690
EQ	24807-2830	2.750	3.560	0.690	EQ	24807-3700	1.500	2.250	0.690
EQ	24807-2831	2.375	3.125	0.690	EQ	24807-3739	1.750	2.625	0.690
EQ	24807-2839	1.496	2.165	0.690	EQ	24807-3748	2.438	2.938	0.690
EQ	24807-2842	1.103	1.850	0.690	EQ	24807-3752	3.876	4.313	0.690
EQ	24807-2846	3.312	4.125	0.690	EQ	24807-3767	3.375	4.125	0.690
EQ	24807-2852	1.125	1.562	0.690	EQ	24807-3778	2.250	3.190	0.690
EQ	24807-2855	3.250	4.000	0.690	EQ	24807-3779	2.750	3.500	0.690
EQ	24807-2858	1.375	2.125	0.690	EQ	24807-3781	3.750	4.750	0.690
EQ	24807-2861	0.875	1.625	0.690	EQ	24807-3782	4.500	5.500	0.690
EQ	24807-2866	2.155	2.875	0.690	EQ	24807-3784	1.720	2.250	0.690
EQ	24807-2874	2.359	2.734	0.690	EQ	24807-3831	2.622	3.046	0.690
EQ	24807-2882	1.938	2.438	0.690	EQ	24807-3835	2.622	3.346	0.690
EQ	24807-2968	1.125	1.875	0.690	EQ	24807-3877	1.125	1.801	0.690
EQ	24807-2973	3.380	4.000	0.690	EQ	24807-3878	2.145	2.865	0.690
EQ	24807-2993	0.875	1.375	0.690	EQ	24807-3907	1.063	1.624	0.690
EQ	24807-2994	1.125	1.750	0.690	EQ	24807-3912	1.875	2.375	0.690
EQ	24807-2996	1.250	1.875	0.690	EQ	24807-3952	1.750	2.250	0.690
EQ	24807-3000	3.937	4.937	0.690	EQ	24807-4078	1.375	1.750	0.690
EQ	24807-3084	1.610	2.000	0.690	EQ	24807-4079	1.625	2.125	0.690
EQ	24807-3110	1.438	2.062	0.690	EQ	24807-4132	2.530	3.287	0.690
EQ	24807-3144	1.468	2.343	0.690	EQ	24807-4200	2.205	2.837	0.690
EQ	24807-3149	1.772	2.362	0.690	EQ	24807-4471	4.003	4.500	0.690
EQ	24807-3159	1.687	2.375	0.690	EQ	24807-4523	3.750	4.375	0.690
EQ	24807-3196	0.875	1.250	0.690	EQ	24807-4579	1.562	2.375	0.690
EQ	24807-3198	2.375	3.062	0.690	EQ	24807-4652	4.938	5.500	0.690
EQ	24807-3229	1.969	2.756	0.690	EQ	24807-4677	2.000	2.716	0.690
EQ	24807-3237	2.312	3.062	0.690	EQ	24807-4713	2.047	2.750	0.690
EQ	24807-3238	2.125	2.763	0.690	EQ	24807-4851	2.000	2.670	0.690
EQ	24807-3242	0.438	1.124	0.690	EQ	24807-5104	3.346	3.937	0.690
EQ	24807-3249	2.188	3.062	0.690	EQ	24807-5379	0.984	1.750	0.690
EQ	24807-3271	3.937	4.562	0.690	EQ	24807-5590	2.188	2.837	0.690
EQ	24807-3297	2.000	2.690	0.690	EQ	24807-5752	0.984	1.496	0.690
EQ	24807-3298	2.250	3.000	0.690	EQ	24807-5796	1.062	1.500	0.690
EQ	24807-3312	2.953	3.740	0.690	EQ	24807-5797	1.156	2.000	0.690
EQ	24807-3315	4.331	5.118	0.690	EQ	24807-5809	2.500	3.000	0.690
EQ	24807-3319	1.875	2.562	0.690	EQSPB	24816-2564	2.438	3.187	1.125
EQ	24807-3343	1.875	2.625	0.690	EQSPB	24816-3982	1.438	2.063	0.875
EQ	24807-3410	1.500	2.125	0.690	EQSPB	24816-4446	1.750	2.776	0.750
EQ	24807-3413	1.938	2.500	0.690	EQSPB	24816-7004	2.438	3.192	1.062
EQ	24807-3431	1.969	2.559	0.690	EQSPB	24816-7005	3.062	3.810	1.062
EQ	24807-3495	1.687	2.062	0.690	EQSPB	24816-7006	4.187	5.243	1.375
EQ	24807-3504	2.932	3.806	0.690	EQSPB	24816-7007	4.875	5.983	1.375

All dimensions are in inches. Preferred sizes are indicated with **bold** type face. Sizes listed are for standard nitrile elements, except Models 25 and 62 which have PTFE elements. Other material available on inquiry only.

Oil Seals by Model Number

Garlock

MODEL NO	PART NO	SHAFT	BORE	WIDTH	MODEL NO	PART NO	SHAFT	BORE	WIDTH
EQSPB	24816-7010	3.000	3.825	1.062	EQSPB	24816-7132	7.188	8.570	0.980
EQSPB	24816-7014	6.062	7.349	1.375	EQSPB	24816-7147	3.437	4.523	1.312
EQSPB	24816-7015	7.000	8.375	1.375	IG	29500-2175	3.000	4.000	0.750
EQSPB	24816-7017	2.938	3.956	1.375	IG	29500-3349	2.000	3.000	0.750
EQSPB	24816-7018	3.938	4.986	1.375	IG	29500-3370	6.000	7.500	0.750
EQSPB	24816-7019	1.937	2.567	0.876	IG	29500-3462	6.750	8.125	0.750
EQSPB	24816-7020	2.188	2.825	1.125	IG	29500-3465	6.750	8.250	0.750
EQSPB	24816-7021	2.688	3.574	1.062	IG	29500-3467	6.750	8.000	0.750
EQSPB	24816-7022	2.937	3.817	1.062	IG	29500-3501	7.000	8.500	0.750
EQSPB	24816-7023	3.000	3.818	1.375	IG	29500-3553	7.500	9.000	0.750
EQSPB	24816-7024	4.125	5.025	1.375	IG	29500-3585	1.875	2.875	0.750
EQSPB	24816-7025	3.438	4.458	1.312	IG	29500-3589	7.875	9.375	0.750
EQSPB	24816-7026	3.938	4.957	1.375	IG	29500-4107	1.750	2.875	0.750
EQSPB	24816-7027	4.187	5.230	1.375	IG	29500-4109	2.125	2.875	0.750
EQSPB	24816-7028	4.437	5.548	1.375	IG	29500-4110	1.875	2.750	0.750
EQSPB	24816-7029	4.937	5.982	1.375	IG	29500-4111	2.500	3.250	0.750
EQSPB	24816-7030	5.000	5.982	1.375	IG	29500-4112	2.375	3.250	0.750
EQSPB	24816-7031	3.937	5.328	1.375	IG	29500-4113	3.313	4.125	0.750
EQSPB	24816-7032	2.812	3.569	1.375	IG	29500-4115	4.313	5.500	0.750
EQSPB	24816-7033	3.438	4.338	1.375	IG	29500-4116	4.125	5.250	0.750
EQSPB	24816-7035	2.500	3.192	1.062	IG	29500-4124	1.875	2.625	0.750
EQSPB	24816-7036	3.500	4.458	1.312	IG	29500-4140	1.250	2.250	0.750
EQSPB	24816-7039	6.625	8.390	1.375	IG	29500-4141	1.375	2.375	0.750
EQSPB	24816-7040	6.000	7.340	1.375	IG	29500-4143	1.500	2.500	0.750
EQSPB	24816-7041	1.937	2.563	0.875	IG	29500-4144	1.625	2.625	0.750
EQSPB	24816-7042	2.750	3.772	1.000	IG	29500-4145	1.750	2.750	0.750
EQSPB	24816-7043	6.437	7.780	1.375	IG	29500-4146	2.125	3.125	0.750
EQSPB	24816-7044	3.812	4.773	1.375	IG	29500-4148	2.250	3.250	0.750
EQSPB	24816-7047	3.938	5.643	1.125	IG	29500-4149	2.375	3.375	0.750
EQSPB	24816-7048	3.937	4.955	1.252	IG	29500-4150	2.500	3.500	0.750
EQSPB	24816-7049	5.438	6.750	1.250	IG	29500-4152	2.750	3.750	0.750
EQSPB	24816-7050	3.250	4.335	1.312	IG	29500-4154	3.250	4.250	0.750
EQSPB	24816-7052	8.937	10.443	1.562	IG	29500-4156	3.500	4.500	0.750
EQSPB	24816-7054	6.625	7.718	1.250	IG	29500-4158	3.750	4.750	0.750
EQSPB	24816-7055	5.750	6.938	1.250	IG	29500-4160	4.000	5.000	0.750
EQSPB	24816-7056	3.875	5.085	1.375	IG	29500-4163	4.250	5.250	0.750
EQSPB	24816-7057	3.938	5.085	1.375	IG	29500-4174	5.750	6.750	0.750
EQSPB	24816-7058	2.362	3.366	0.750	IG	29500-4181	1.125	2.441	0.750
EQSPB	24816-7060	2.937	4.480	1.062	IG	29500-4193	3.346	4.331	0.750
EQSPB	24816-7061	1.378	2.146	0.748	IG	29500-4212	4.500	6.000	0.750
EQSPB	24816-7062	1.378	2.539	0.748	IG	29500-4214	3.500	4.375	0.750
EQSPB	24816-7063	1.772	2.539	0.748	IG	29500-4280	2.438	3.438	0.750
EQSPB	24816-7064	1.772	2.972	0.748	IG	29500-4292	3.937	4.937	0.750
EQSPB	24816-7065	2.165	2.972	0.748	IG	29500-4310	6.125	7.125	0.750
EQSPB	24816-7067	1.438	2.063	0.975	IG	29500-4312	6.250	7.250	0.750
EQSPB	24816-7068	6.000	7.343	1.375	IG	29500-4331	2.875	4.000	0.750
EQSPB	24816-7111	7.437	8.945	1.375	IG	29500-4361	3.000	4.125	0.750
EQSPB	24816-7118	5.875	6.938	1.523	IG	29500-4366	4.188	5.250	0.750
EQSPB	24816-7119	3.188	4.335	1.298	IG	29500-4374	2.500	3.750	0.750
EQSPB	24816-7120	7.437	8.945	1.540	IG	29500-4379	3.375	4.500	0.750
EQSPB	24816-7124	1.438	2.063	0.609	IG	29500-4391	4.500	5.750	0.750
EQSPB	24816-7131	3.188	4.335	1.312	IG	29500-4425	3.250	4.500	0.750

All dimensions are in inches. Preferred sizes are indicated with **bold** type face.

Sizes listed are for standard nitrile elements, except Models 25 and 62 which have PTFE elements. Other material available on inquiry only.

Garlock

Oil Seals by Model Number

MODEL NO	PART NO	SHAFT	BORE	WIDTH	MODEL NO	PART NO	SHAFT	BORE	WIDTH
IG	29500-4464	4.284	5.284	0.750	IG	29500-4872	2.437	4.725	0.725
IG	29500-4472	4.938	6.000	0.750	IG	29500-4874	2.250	3.625	0.750
IG	29500-4476	2.441	3.948	0.750	IG	29500-4883	2.360	3.360	0.750
IG	29500-4480	4.250	5.500	0.750	IG	29500-4895	1.575	2.575	0.750
IG	29500-4485	2.188	5.125	0.750	IG	29500-4979	3.740	4.921	0.750
IG	29500-4495	4.437	5.500	0.750	IG	29500-4981	4.134	5.118	0.750
IG	29500-4497	4.166	5.500	0.750	IG	29500-4984	4.331	5.512	0.750
IG	29500-4502	1.100	2.625	0.750	IG	29500-4994	5.512	6.693	0.750
IG	29500-4504	5.438	6.875	0.750	IG	29500-5066	3.125	4.250	0.750
IG	29500-4506	3.740	4.740	0.750	IG	29500-5087	3.335	4.335	0.750
IG	29500-4507	3.000	4.375	0.750	IG	29500-5119	4.875	7.000	0.750
IG	29500-4538	1.188	2.250	0.750	IG	29500-5158	7.874	8.874	0.750
IG	29500-4542	6.375	7.498	0.750	IG	29500-5159	4.724	5.724	0.750
IG	29500-4559	1.188	2.000	0.750	IG	29500-5293	3.150	4.724	0.750
IG	29500-4560	1.812	2.875	0.750	IG	29500-5328	1.810	2.875	0.750
IG	29500-4562	3.688	4.750	0.750	IG	29500-5367	2.559	4.331	0.750
IG	29500-4571	1.875	3.250	0.750	IG	29500-5383	4.331	5.331	0.750
IG	29500-4592	2.500	4.937	0.750	IG	29500-5479	3.543	4.543	0.750
IG	29500-4619	2.375	3.875	0.750	IG	29500-5481	6.000	7.375	0.750
IG	29500-4640	3.937	6.375	0.750	IG	29500-5487	3.149	4.724	0.750
IG	29500-4641	3.937	4.999	0.750	IG	29500-5512	2.362	3.362	0.750
IG	29500-4647	4.938	7.000	0.750	IG	29500-5522	6.625	7.625	0.750
IG	29500-4648	2.937	4.000	0.750	IG	29500-5567	1.890	2.890	0.750
IG	29500-4649	3.937	4.921	0.750	IG	29500-5569	2.480	3.480	0.750
IG	29500-4656	1.770	2.875	0.750	IG	29500-5645	5.000	7.000	0.750
IG	29500-4675	2.990	4.000	0.750	IG	29500-5699	4.375	5.500	0.750
IG	29500-4678	1.771	3.937	0.750	IG	29500-5700	3.500	4.381	0.750
IG	29500-4683	2.500	3.543	0.750	IG	29500-5716	4.250	5.376	0.750
IG	29500-4694	2.875	4.134	0.750	IG	29500-5722	2.188	2.937	0.750
IG	29500-4704	1.875	3.938	0.750	IG	29500-5772	2.625	3.750	0.750
IG	29500-4709	3.000	3.750	0.750	IG	29500-5808	8.625	10.250	0.750
IG	29500-4721	2.559	3.543	0.750	IG	29502-0774	3.375	4.375	0.750
IG	29500-4744	2.165	3.542	0.750	IG	29502-0815	1.125	2.250	0.625
IG	29500-4747	2.520	3.740	0.750	IG	29502-1745	2.125	3.625	0.750
IG	29500-4748	3.386	5.118	0.750	IG	29502-1864	5.375	6.375	0.750
IG	29500-4750	3.386	5.315	0.750	IG	29502-2051	4.563	5.563	0.750
IG	29500-4751	3.740	5.512	0.750	IG	29502-2141	2.438	3.313	0.750
IG	29500-4756	7.480	8.661	0.750	IG	29502-2175	3.000	4.000	0.750
IG	29500-4758	3.543	4.724	0.750	IG	29502-2573	5.250	6.750	0.750
IG	29500-4816	3.346	4.921	0.750	IG	29502-3349	2.000	3.000	0.750
IG	29500-4820	1.000	2.441	0.750	IG	29502-3362	6.000	7.000	0.750
IG	29500-4822	2.953	3.740	0.750	IG	29502-3370	6.000	7.500	0.750
IG	29500-4830	5.625	6.875	0.750	IG	29502-3405	6.250	7.750	0.750
IG	29500-4831	5.906	6.906	0.750	IG	29502-3453	7.000	8.000	0.750
IG	29500-4834	2.812	4.002	0.750	IG	29502-3465	6.750	8.250	0.750
IG	29500-4835	4.213	5.827	0.750	IG	29502-3467	6.750	8.000	0.750
IG	29500-4841	4.449	6.378	0.750	IG	29502-3497	7.000	8.250	0.750
IG	29500-4842	4.429	6.297	0.750	IG	29502-3553	7.500	9.000	0.750
IG	29500-4844	3.543	4.960	0.750	IG	29502-3585	1.875	2.875	0.750
IG	29500-4845	3.938	5.188	0.750	IG	29502-3601	8.000	9.500	0.750
IG	29500-4861	2.312	3.812	0.750	IG	29502-4104	1.375	2.835	0.750
IG	29500-4865	6.250	7.500	0.750	IG	29502-4107	1.750	2.875	0.750

All dimensions are in inches. Preferred sizes are indicated with **bold** type face. Sizes listed are for standard nitrile elements, except Models 25 and 62 which have PTFE elements. Other material available on inquiry only.

Oil Seals by Model Number

Garlock

MODEL NO	PART NO	SHAFT	BORE	WIDTH	MODEL NO	PART NO	SHAFT	BORE	WIDTH
IG	29502-4108	1.125	2.000	0.750	IG	29502-4179	2.625	3.675	0.750
IG	29502-4109	2.125	2.875	0.750	IG	29502-4181	1.125	2.441	0.750
IG	29502-4110	1.875	2.750	0.750	IG	29502-4182	1.000	1.750	0.750
IG	29502-4111	2.500	3.250	0.750	IG	29502-4185	1.250	2.000	0.750
IG	29502-4112	2.375	3.250	0.750	IG	29502-4186	3.250	4.000	0.750
IG	29502-4113	3.313	4.125	0.750	IG	29502-4187	2.750	3.500	0.750
IG	29502-4114	3.125	4.125	0.750	IG	29502-4189	1.890	2.756	0.750
IG	29502-4115	4.312	5.500	0.750	IG	29502-4190	2.165	3.150	0.750
IG	29502-4116	4.125	5.250	0.750	IG	29502-4191	2.362	3.346	0.750
IG	29502-4117	1.438	2.250	0.750	IG	29502-4192	2.756	3.740	0.750
IG	29502-4118	1.375	2.125	0.750	IG	29502-4193	3.346	4.331	0.750
IG	29502-4119	2.062	3.000	0.750	IG	29502-4203	5.000	6.250	0.750
IG	29502-4120	1.937	3.000	0.750	IG	29502-4204	2.187	3.000	0.750
IG	29502-4123	0.875	1.625	0.750	IG	29502-4205	2.125	3.000	0.750
IG	29502-4124	1.875	2.625	0.750	IG	29502-4208	5.250	6.500	0.750
IG	29502-4125	2.625	3.677	0.750	IG	29502-4209	4.000	5.375	0.750
IG	29502-4126	2.625	3.688	0.750	IG	29502-4211	5.875	7.125	0.750
IG	29502-4138	1.000	2.000	0.750	IG	29502-4212	4.500	6.000	0.750
IG	29502-4139	1.125	2.125	0.750	IG	29502-4213	4.500	5.250	0.750
IG	29502-4140	1.250	2.250	0.750	IG	29502-4214	3.500	4.375	0.750
IG	29502-4141	1.375	2.375	0.750	IG	29502-4215	2.875	4.125	0.750
IG	29502-4143	1.500	2.500	0.750	IG	29502-4217	2.000	3.125	0.750
IG	29502-4144	1.625	2.625	0.750	IG	29502-4218	4.750	6.000	0.750
IG	29502-4145	1.750	2.750	0.750	IG	29502-4235	1.500	2.250	0.750
IG	29502-4146	2.125	3.125	0.750	IG	29502-4257	2.313	3.313	0.750
IG	29502-4148	2.250	3.250	0.750	IG	29502-4266	0.625	1.625	0.750
IG	29502-4149	2.375	3.375	0.750	IG	29502-4267	0.875	1.875	0.750
IG	29502-4150	2.500	3.500	0.750	IG	29502-4270	0.938	1.938	0.750
IG	29502-4151	2.625	3.625	0.750	IG	29502-4271	1.063	2.063	0.750
IG	29502-4152	2.750	3.750	0.750	IG	29502-4272	1.188	2.188	0.750
IG	29502-4153	2.875	3.875	0.750	IG	29502-4273	1.313	2.313	0.750
IG	29502-4154	3.250	4.250	0.750	IG	29502-4274	1.563	2.563	0.750
IG	29502-4156	3.500	4.500	0.750	IG	29502-4275	1.688	2.688	0.750
IG	29502-4157	3.625	4.625	0.750	IG	29502-4276	1.812	2.812	0.750
IG	29502-4158	3.750	4.750	0.750	IG	29502-4277	1.938	2.938	0.750
IG	29502-4159	3.875	4.875	0.750	IG	29502-4278	2.063	3.063	0.750
IG	29502-4160	4.000	5.000	0.750	IG	29502-4279	2.187	3.187	0.750
IG	29502-4161	4.125	5.125	0.750	IG	29502-4280	2.437	3.437	0.750
IG	29502-4163	4.250	5.250	0.750	IG	29502-4281	2.562	3.562	0.750
IG	29502-4164	4.375	5.375	0.750	IG	29502-4282	2.688	3.688	0.750
IG	29502-4165	4.500	5.500	0.750	IG	29502-4283	2.812	3.812	0.750
IG	29502-4166	4.625	5.625	0.750	IG	29502-4284	2.938	3.938	0.750
IG	29502-4167	4.750	5.750	0.750	IG	29502-4285	3.063	4.063	0.750
IG	29502-4168	4.875	5.875	0.750	IG	29502-4286	3.188	4.188	0.750
IG	29502-4169	5.000	6.000	0.750	IG	29502-4287	3.313	4.313	0.750
IG	29502-4170	5.125	6.125	0.750	IG	29502-4288	3.438	4.438	0.750
IG	29502-4171	5.250	6.250	0.750	IG	29502-4289	3.563	4.563	0.750
IG	29502-4172	5.500	6.500	0.750	IG	29502-4290	3.688	4.688	0.750
IG	29502-4173	5.625	6.625	0.750	IG	29502-4291	3.812	4.812	0.750
IG	29502-4174	5.750	6.750	0.750	IG	29502-4292	3.938	4.938	0.750
IG	29502-4175	5.875	6.875	0.750	IG	29502-4293	4.063	5.063	0.750
IG	29502-4177	1.437	2.437	0.750	IG	29502-4295	4.188	5.188	0.750

All dimensions are in inches. Preferred sizes are indicated with **bold** type face.

Sizes listed are for standard nitrile elements, except Models 25 and 62 which have PTFE elements. Other material available on inquiry only.

Garlock

Oil Seals by Model Number

MODEL NO	PART NO	SHAFT	BORE	WIDTH	MODEL NO	PART NO	SHAFT	BORE	WIDTH
IG	29502-4296	4.313	5.313	0.750	IG	29502-4402	1.127	2.000	0.750
IG	29502-4297	4.438	5.438	0.750	IG	29502-4403	2.159	3.000	0.750
IG	29502-4298	4.688	5.688	0.750	IG	29502-4408	2.250	2.997	0.750
IG	29502-4299	4.812	5.812	0.750	IG	29502-4422	1.180	2.835	0.750
IG	29502-4300	4.938	5.938	0.750	IG	29502-4425	3.250	4.500	0.750
IG	29502-4301	5.063	6.063	0.750	IG	29502-4438	2.625	3.500	0.750
IG	29502-4302	5.188	6.188	0.750	IG	29502-4439	1.654	2.625	0.750
IG	29502-4303	5.313	6.313	0.750	IG	29502-4440	1.457	2.500	0.750
IG	29502-4304	5.438	6.438	0.750	IG	29502-4441	1.575	3.071	0.750
IG	29502-4305	5.563	6.563	0.750	IG	29502-4448	0.787	1.575	0.750
IG	29502-4306	5.688	6.688	0.750	IG	29502-4457	2.990	3.750	0.750
IG	29502-4307	5.812	6.812	0.750	IG	29502-4462	2.250	3.000	0.750
IG	29502-4308	5.938	6.938	0.750	IG	29502-4470	1.562	2.502	0.750
IG	29502-4309	6.063	7.063	0.750	IG	29502-4477	3.313	4.375	0.750
IG	29502-4310	6.125	7.125	0.750	IG	29502-4478	2.312	3.250	0.750
IG	29502-4311	6.188	7.188	0.750	IG	29502-4479	2.875	3.750	0.750
IG	29502-4312	6.250	7.250	0.750	IG	29502-4480	4.250	5.500	0.750
IG	29502-4313	6.313	7.313	0.750	IG	29502-4483	2.530	3.287	0.750
IG	29502-4314	6.375	7.375	0.750	IG	29502-4489	2.053	3.000	0.750
IG	29502-4315	6.438	7.438	0.750	IG	29502-4490	1.772	2.756	0.750
IG	29502-4316	6.500	7.500	0.750	IG	29502-4491	3.535	4.500	0.750
IG	29502-4319	1.750	2.500	0.750	IG	29502-4492	2.165	2.953	0.750
IG	29502-4320	1.375	2.437	0.750	IG	29502-4529	1.378	2.165	0.750
IG	29502-4322	1.125	1.875	0.750	IG	29502-4532	2.559	3.346	0.750
IG	29502-4323	1.750	2.625	0.750	IG	29502-4541	2.685	3.998	0.750
IG	29502-4324	2.375	3.125	0.750	IG	29502-4542	6.375	7.498	0.750
IG	29502-4325	3.400	4.400	0.750	IG	29502-4544	2.938	4.125	0.750
IG	29502-4326	2.000	2.750	0.750	IG	29502-4546	1.755	3.358	0.750
IG	29502-4327	1.625	2.500	0.750	IG	29502-4548	2.875	3.625	0.750
IG	29502-4328	3.000	3.875	0.750	IG	29502-4550	3.188	4.250	0.750
IG	29502-4329	1.375	3.125	0.750	IG	29502-4553	1.969	3.543	0.750
IG	29502-4330	1.875	2.686	0.750	IG	29502-4559	1.188	2.000	0.750
IG	29502-4331	2.875	4.000	0.750	IG	29502-4560	1.812	2.875	0.750
IG	29502-4332	2.625	3.484	0.750	IG	29502-4572	4.062	5.125	0.750
IG	29502-4335	2.065	3.000	0.750	IG	29502-4574	3.150	4.250	0.750
IG	29502-4336	1.185	2.442	0.750	IG	29502-4581	1.772	2.953	0.750
IG	29502-4338	2.280	3.280	0.750	IG	29502-4589	2.746	3.746	0.750
IG	29502-4348	1.750	3.938	0.750	IG	29502-4590	2.158	3.158	0.750
IG	29502-4350	1.766	2.750	0.750	IG	29502-4591	1.962	2.962	0.750
IG	29502-4351	2.355	3.870	0.750	IG	29502-4594	2.938	4.000	0.750
IG	29502-4352	3.000	4.910	0.750	IG	29502-4595	1.500	2.254	0.750
IG	29502-4353	2.500	4.375	0.750	IG	29502-4601	2.352	3.375	0.750
IG	29502-4354	3.375	5.250	0.750	IG	29502-4602	3.825	4.875	0.750
IG	29502-4356	1.900	3.500	0.750	IG	29502-4603	3.420	4.500	0.750
IG	29502-4366	4.187	5.250	0.750	IG	29502-4604	4.520	5.500	0.750
IG	29502-4367	2.250	3.190	0.750	IG	29502-4609	2.350	3.350	0.750
IG	29502-4368	2.246	4.500	0.750	IG	29502-4615	1.625	2.375	0.750
IG	29502-4374	2.500	3.750	0.750	IG	29502-4617	2.125	3.187	0.750
IG	29502-4379	3.375	4.500	0.750	IG	29502-4622	3.850	4.875	0.750
IG	29502-4385	3.375	4.125	0.750	IG	29502-4623	2.400	3.375	0.750
IG	29502-4386	2.875	4.625	0.750	IG	29502-4630	2.558	3.558	0.750
IG	29502-4391	4.500	5.750	0.750	IG	29502-4638	2.160	3.195	0.750

All dimensions are in inches. Preferred sizes are indicated with **bold** type face. Sizes listed are for standard nitrile elements, except Models 25 and 62 which have PTFE elements. Other material available on inquiry only.

Oil Seals by Model Number

Garlock

MODEL NO	PART NO	SHAFT	BORE	WIDTH	MODEL NO	PART NO	SHAFT	BORE	WIDTH
IG	29502-4641	3.937	4.999	0.750	IG	29502-4822	2.953	3.740	0.750
IG	29502-4649	3.937	4.921	0.750	IG	29502-4825	1.614	2.402	0.750
IG	29502-4650	3.438	4.500	0.750	IG	29502-4826	3.312	4.213	0.750
IG	29502-4655	3.156	4.250	0.750	IG	29502-4828	1.625	2.525	0.750
IG	29502-4658	2.997	3.831	0.750	IG	29502-4831	5.906	6.906	0.750
IG	29502-4664	1.925	3.000	0.750	IG	29502-4837	4.851	5.886	0.750
IG	29502-4665	1.965	3.000	0.750	IG	29502-4838	2.938	4.295	0.750
IG	29502-4666	2.400	3.500	0.750	IG	29502-4843	1.562	2.500	0.750
IG	29502-4679	1.625	2.437	0.750	IG	29502-4846	2.441	3.441	0.750
IG	29502-4680	1.250	2.438	0.750	IG	29502-4847	2.432	3.432	0.750
IG	29502-4683	2.500	3.543	0.750	IG	29502-4850	2.938	3.750	0.750
IG	29502-4684	1.181	2.362	0.750	IG	29502-4859	3.937	5.118	0.750
IG	29502-4687	2.350	3.375	0.750	IG	29502-4860	1.260	2.165	0.750
IG	29502-4688	1.950	3.000	0.750	IG	29502-4874	2.250	3.625	0.750
IG	29502-4689	1.370	2.375	0.750	IG	29502-4877	1.562	2.441	0.750
IG	29502-4692	1.760	2.875	0.750	IG	29502-4880	1.968	2.718	0.750
IG	29502-4693	2.360	3.375	0.750	IG	29502-4883	2.360	3.360	0.750
IG	29502-4700	1.969	2.953	0.750	IG	29502-4884	4.125	5.375	0.750
IG	29502-4704	1.875	3.938	0.750	IG	29502-4887	2.450	3.450	0.750
IG	29502-4705	2.420	3.355	0.750	IG	29502-4888	3.140	4.140	0.750
IG	29502-4706	2.750	4.000	0.750	IG	29502-4966	2.559	3.937	0.750
IG	29502-4708	2.750	3.625	0.750	IG	29502-4969	2.756	3.543	0.750
IG	29502-4709	3.000	3.750	0.750	IG	29502-4980	3.938	4.724	0.750
IG	29502-4714	1.938	2.875	0.750	IG	29502-4981	4.134	5.118	0.750
IG	29502-4715	3.550	4.550	0.750	IG	29502-4982	4.134	5.512	0.750
IG	29502-4716	1.920	3.000	0.750	IG	29502-4984	4.331	5.512	0.750
IG	29502-4720	1.173	2.441	0.750	IG	29502-5001	2.540	3.540	0.750
IG	29502-4721	2.559	3.543	0.750	IG	29502-5003	2.125	3.375	0.750
IG	29502-4722	3.345	4.320	0.750	IG	29502-5005	2.750	3.720	0.750
IG	29502-4728	3.150	4.135	0.750	IG	29502-5007	1.187	2.437	0.750
IG	29502-4731	0.875	2.750	0.750	IG	29502-5024	1.375	2.625	0.750
IG	29502-4735	5.500	10.250	0.750	IG	29502-5039	1.125	2.375	0.750
IG	29502-4742	1.450	2.360	0.750	IG	29502-5042	2.500	3.623	0.750
IG	29502-4749	2.953	3.937	0.750	IG	29502-5043	2.380	3.375	0.750
IG	29502-4758	3.543	4.724	0.750	IG	29502-5044	3.188	4.312	0.750
IG	29502-4769	4.298	5.298	0.750	IG	29502-5045	2.500	3.875	0.750
IG	29502-4770	2.942	3.942	0.750	IG	29502-5049	0.983	1.983	0.750
IG	29502-4771	1.563	2.623	0.750	IG	29502-5051	1.573	2.572	0.750
IG	29502-4772	2.554	3.554	0.750	IG	29502-5053	2.161	3.161	0.750
IG	29502-4775	3.125	3.875	0.750	IG	29502-5055	3.142	4.142	0.750
IG	29502-4777	3.125	3.938	0.750	IG	29502-5056	2.240	3.240	0.750
IG	29502-4786	2.165	3.189	0.750	IG	29502-5057	3.731	4.731	0.750
IG	29502-4798	3.150	3.937	0.750	IG	29502-5058	3.375	4.625	0.750
IG	29502-4806	2.375	3.500	0.750	IG	29502-5059	2.317	3.375	0.750
IG	29502-4807	2.125	3.250	0.750	IG	29502-5065	2.625	4.003	0.750
IG	29502-4808	1.575	2.441	0.750	IG	29502-5066	3.125	4.250	0.750
IG	29502-4809	1.875	3.000	0.750	IG	29502-5071	1.125	2.050	0.750
IG	29502-4810	1.500	2.375	0.750	IG	29502-5072	3.937	4.960	0.750
IG	29502-4812	2.228	3.228	0.750	IG	29502-5073	2.625	4.000	0.750
IG	29502-4813	2.258	3.258	0.750	IG	29502-5076	2.354	3.354	0.750
IG	29502-4818	2.710	3.710	0.750	IG	29502-5080	2.625	3.670	0.750
IG	29502-4819	1.969	2.756	0.750	IG	29502-5081	2.375	3.255	0.750

All dimensions are in inches. Preferred sizes are indicated with **bold** type face.

Sizes listed are for standard nitrile elements, except Models 25 and 62 which have PTFE elements. Other material available on inquiry only.

Garlock

Oil Seals by Model Number

MODEL NO	PART NO	SHAFT	BORE	WIDTH	MODEL NO	PART NO	SHAFT	BORE	WIDTH
IG	29502-5090	3.464	4.500	0.750	IG	29502-5386	1.375	2.812	0.750
IG	29502-5094	6.438	7.687	0.750	IG	29502-5395	3.071	4.331	0.750
IG	29502-5101	1.250	2.875	0.750	IG	29502-5396	2.820	3.843	0.750
IG	29502-5123	4.313	5.687	0.750	IG	29502-5397	3.937	4.990	0.750
IG	29502-5127	2.938	4.003	0.750	IG	29502-5398	3.346	4.335	0.750
IG	29502-5128	3.938	5.250	0.750	IG	29502-5403	3.008	4.008	0.750
IG	29502-5132	4.450	5.437	0.750	IG	29502-5404	2.718	3.700	0.750
IG	29502-5133	3.420	4.375	0.750	IG	29502-5410	4.750	5.500	0.750
IG	29502-5135	1.772	2.622	0.750	IG	29502-5413	2.938	4.500	0.750
IG	29502-5141	3.150	4.150	0.750	IG	29502-5415	1.688	2.625	0.750
IG	29502-5143	2.500	4.000	0.750	IG	29502-5419	2.250	3.125	0.750
IG	29502-5148	1.200	2.000	0.750	IG	29502-5420	2.726	3.500	0.750
IG	29502-5149	1.180	2.000	0.750	IG	29502-5423	3.000	5.000	0.750
IG	29502-5154	2.619	3.682	0.750	IG	29502-5424	5.250	6.000	0.750
IG	29502-5160	2.015	3.000	0.750	IG	29502-5436	1.438	2.500	0.750
IG	29502-5161	2.375	3.371	0.750	IG	29502-5443	2.345	3.375	0.750
IG	29502-5163	2.625	3.543	0.750	IG	29502-5455	3.016	4.016	0.750
IG	29502-5165	3.563	4.500	0.750	IG	29502-5463	2.225	3.225	0.750
IG	29502-5166	1.180	2.180	0.750	IG	29502-5469	2.925	3.925	0.750
IG	29502-5167	1.754	2.754	0.750	IG	29502-5470	1.125	2.062	0.750
IG	29502-5168	1.967	2.967	0.750	IG	29502-5471	1.750	2.700	0.750
IG	29502-5169	3.158	4.158	0.750	IG	29502-5472	2.625	4.050	0.750
IG	29502-5203	4.000	4.875	0.750	IG	29502-5473	2.356	3.780	0.750
IG	29502-5210	3.605	4.625	0.750	IG	29502-5476	3.812	4.875	0.750
IG	29502-5211	2.248	3.150	0.750	IG	29502-5480	4.000	5.250	0.750
IG	29502-5213	3.189	4.252	0.750	IG	29502-5481	6.000	7.375	0.750
IG	29502-5214	1.250	3.150	0.750	IG	29502-5489	1.438	2.375	0.750
IG	29502-5215	3.000	5.875	0.750	IG	29502-5498	3.250	4.030	0.750
IG	29502-5258	3.687	4.560	0.750	IG	29502-5511	1.168	2.437	0.750
IG	29502-5268	1.437	2.694	0.750	IG	29502-5513	4.120	5.000	0.750
IG	29502-5274	1.937	2.750	0.750	IG	29502-5517	1.145	2.000	0.750
IG	29502-5279	5.500	6.693	0.750	IG	29502-5520	1.375	2.250	0.750
IG	29502-5285	6.000	6.750	0.750	IG	29502-5524	6.218	8.062	0.750
IG	29502-5287	6.750	7.750	0.750	IG	29502-5526	1.171	2.250	0.750
IG	29502-5288	2.437	3.750	0.750	IG	29502-5533	2.047	3.150	0.750
IG	29502-5289	2.400	3.438	0.750	IG	29502-5534	0.984	1.890	0.750
IG	29502-5292	1.562	3.548	0.750	IG	29502-5535	2.362	3.111	0.750
IG	29502-5296	3.634	4.625	0.750	IG	29502-5538	2.160	3.160	0.750
IG	29502-5307	2.188	3.251	0.750	IG	29502-5539	1.575	2.362	0.750
IG	29502-5312	2.875	4.250	0.750	IG	29502-5540	1.654	2.441	0.750
IG	29502-5313	3.149	4.122	0.750	IG	29502-5541	1.772	2.559	0.750
IG	29502-5314	3.580	4.916	0.750	IG	29502-5542	2.165	3.071	0.750
IG	29502-5329	2.819	3.813	0.750	IG	29502-5543	2.362	3.150	0.750
IG	29502-5333	3.000	4.500	0.750	IG	29502-5545	2.205	3.150	0.750
IG	29502-5334	1.375	2.500	0.750	IG	29502-5548	4.331	5.562	0.750
IG	29502-5342	2.165	3.165	0.750	IG	29502-5549	5.591	6.378	0.750
IG	29502-5362	3.125	4.003	0.750	IG	29502-5550	4.724	5.512	0.750
IG	29502-5364	3.750	5.000	0.750	IG	29502-5555	6.000	7.059	0.750
IG	29502-5372	1.496	2.362	0.750	IG	29502-5558	2.500	4.724	0.750
IG	29502-5381	3.500	5.250	0.750	IG	29502-5565	6.875	7.875	0.750
IG	29502-5383	4.331	5.331	0.750	IG	29502-5569	2.480	3.480	0.750
IG	29502-5385	5.187	7.000	0.750	IG	29502-5570	1.938	3.149	0.750

All dimensions are in inches. Preferred sizes are indicated with **bold** type face. Sizes listed are for standard nitrile elements, except Models 25 and 62 which have PTFE elements. Other material available on inquiry only.

Oil Seals by Model Number

Garlock

MODEL NO	PART NO	SHAFT	BORE	WIDTH	MODEL NO	PART NO	SHAFT	BORE	WIDTH
IG	29502-5578	1.500	2.864	0.750	IG	29502-5753	1.906	2.752	0.750
IG	29502-5579	2.500	5.118	0.750	IG	29502-5754	4.515	5.515	0.750
IG	29502-5583	6.125	7.625	0.750	IG	29502-5755	3.420	4.420	0.750
IG	29502-5584	1.181	2.441	0.750	IG	29502-5757	3.750	5.500	0.750
IG	29502-5585	2.375	3.130	0.750	IG	29502-5763	3.110	4.331	0.750
IG	29502-5589	2.953	4.175	0.750	IG	29502-5766	1.772	3.021	0.750
IG	29502-5592	3.438	5.000	0.750	IG	29502-5767	4.331	5.125	0.750
IG	29502-5594	1.772	2.750	0.750	IG	29502-5769	2.125	3.500	0.750
IG	29502-5596	1.468	2.375	0.750	IG	29502-5772	2.625	3.750	0.750
IG	29502-5619	2.000	3.250	0.750	IG	29502-5773	2.677	4.000	0.750
IG	29502-5621	1.250	3.125	0.750	IG	29502-5774	5.635	6.874	0.750
IG	29502-5622	3.150	4.500	0.750	IG	29502-5775	1.375	3.150	0.750
IG	29502-5628	2.498	3.368	0.750	IG	29502-5778	2.500	4.875	0.750
IG	29502-5632	1.969	2.992	0.750	IG	29502-5793	2.500	3.625	0.750
IG	29502-5634	2.062	3.125	0.750	IG	29502-5794	0.866	1.969	0.750
IG	29502-5636	4.640	5.640	0.750	IG	29502-5795	2.559	3.583	0.750
IG	29502-5646	2.559	4.134	0.750	IG	29502-5798	1.378	2.835	0.750
IG	29502-5647	2.775	3.775	0.750	IG	29502-5801	2.335	3.335	0.750
IG	29502-5648	3.925	4.925	0.750	IG	29502-5803	2.559	4.724	0.750
IG	29502-5653	2.312	3.500	0.750	IG	29502-5807	1.772	3.543	0.750
IG	29502-5654	2.134	3.066	0.750	IG	29502-5810	6.498	9.125	0.750
IG	29502-5657	3.100	4.100	0.750	IG	29502-5813	4.488	5.512	0.750
IG	29502-5658	3.600	4.600	0.750	IG	29502-5815	2.625	5.250	0.750
IG	29502-5687	2.430	3.623	0.750	IG	29502-5816	3.250	5.250	0.750
IG	29502-5689	1.241	2.253	0.750	IG	29502-5818	2.312	3.750	0.750
IG	29502-5692	1.688	3.437	0.750	IG	29502-5819	1.772	3.346	0.750
IG	29502-5697	2.950	3.950	0.750	IG	29502-5820	2.250	3.500	0.750
IG	29502-5701	3.346	4.134	0.750	IG	29502-5821	4.375	5.312	0.750
IG	29502-5702	6.430	7.500	0.750	IG	29502-5825	2.300	3.300	0.750
IG	29502-5705	2.062	2.875	0.750	IG	29502-5912	4.375	6.000	0.750
IG	29502-5706	2.554	3.375	0.750	IG	29502-5930	1.772	2.835	0.750
IG	29502-5707	4.438	5.562	0.750	IG	29502-5931	2.283	4.409	0.750
IG	29502-5712	6.063	7.500	0.750	IG	29502-5933	3.500	4.721	0.750
IG	29502-5713	1.938	2.688	0.750	IG	29502-6231	2.363	3.150	0.750
IG	29502-5717	4.362	5.362	0.750	IG	29502-6574	5.500	6.750	0.750
IG	29502-5718	2.550	3.550	0.750	IG	29502-9354	8.000	9.250	0.750
IG	29502-5719	4.100	5.100	0.750	IG	29507-0706	1.875	3.000	0.625
IG	29502-5721	3.790	4.790	0.750	IG	29507-0988	1.125	2.000	0.625
IG	29502-5723	3.125	4.312	0.750	IG	29507-0989	1.875	2.625	0.625
IG	29502-5729	2.341	3.151	0.750	IG	29507-0991	2.500	3.250	0.625
IG	29502-5730	3.725	4.725	0.750	IG	29507-0998	1.750	2.875	0.625
IG	29502-5731	1.562	2.598	0.750	IG	29507-1012	0.875	1.625	0.625
IG	29502-5734	2.275	3.275	0.750	IG	29507-1062	1.750	2.625	0.625
IG	29502-5735	4.325	5.325	0.750	IG	29507-1075	1.875	2.750	0.625
IG	29502-5739	2.953	4.331	0.750	IG	29507-1089	1.625	2.625	0.625
IG	29502-5742	2.950	4.000	0.750	IG	29507-1092	1.375	2.125	0.625
IG	29502-5743	1.500	2.750	0.750	IG	29507-1118	1.500	2.125	0.625
IG	29502-5745	5.375	6.125	0.750	IG	29507-1146	1.312	2.000	0.625
IG	29502-5746	7.375	8.625	0.750	IG	29507-1152	1.125	1.876	0.625
IG	29502-5748	3.540	4.540	0.750	IG	29507-1194	1.500	2.500	0.625
IG	29502-5749	3.535	4.535	0.750	IG	29507-1214	1.500	2.375	0.625
IG	29502-5751	3.685	4.685	0.750	IG	29507-1215	1.250	2.000	0.625

All dimensions are in inches. Preferred sizes are indicated with **bold** type face.

Sizes listed are for standard nitrile elements, except Models 25 and 62 which have PTFE elements. Other material available on inquiry only.

Garlock

Oil Seals by Model Number

MODEL NO	PART NO	SHAFT	BORE	WIDTH	MODEL NO	PART NO	SHAFT	BORE	WIDTH
IG	29507-1238	2.750	3.500	0.625	IG	29507-4458	2.362	2.953	0.625
IG	29507-1249	2.000	2.750	0.625	IG	29507-4484	2.676	3.362	0.625
IG	29507-1251	2.562	3.562	0.625	IG	29507-4522	2.938	3.623	0.625
IG	29507-1322	2.125	2.875	0.625	IG	29507-4533	0.938	2.048	0.625
IG	29507-1348	2.362	3.150	0.625	IG	29507-4539	2.000	2.625	0.625
IG	29507-1350	2.000	3.000	0.625	IG	29507-4545	1.570	2.250	0.625
IG	29507-1581	2.375	3.250	0.625	IG	29507-4547	2.375	3.062	0.625
IG	29507-1744	1.750	2.750	0.625	IG	29507-4551	0.750	1.875	0.625
IG	29507-1818	2.500	3.500	0.625	IG	29507-4554	1.772	2.165	0.625
IG	29507-1958	1.437	2.375	0.625	IG	29507-4563	0.984	1.850	0.625
IG	29507-1976	2.625	3.250	0.625	IG	29507-4564	2.875	3.500	0.625
IG	29507-1976	2.625	3.250	0.625	IG	29507-4586	1.750	2.250	0.625
IG	29507-2016	2.500	3.189	0.625	IG	29507-4637	0.625	1.300	0.625
IG	29507-2182	0.875	1.375	0.625	IG	29507-4659	0.500	1.500	0.625
IG	29507-2222	3.125	4.000	0.625	IG	29507-4667	2.149	2.875	0.625
IG	29507-2273	1.125	1.625	0.625	IG	29507-4711	1.063	1.875	0.625
IG	29507-2405	3.543	4.543	0.625	IG	29507-4718	1.575	2.047	0.625
IG	29507-2604	4.125	5.125	0.625	IG	29507-4724	0.687	1.125	0.625
IG	29507-2659	4.250	5.250	0.625	IG	29507-4793	2.750	3.250	0.625
IG	29507-2684	1.000	1.500	0.625	IG	29507-4815	1.375	2.103	0.625
IG	29507-2711	0.875	1.875	0.625	IG	29507-4839	2.145	2.871	0.625
IG	29507-2714	0.938	1.938	0.625	IG	29507-4840	1.125	1.855	0.625
IG	29507-2755	4.500	5.500	0.625	IG	29507-4864	1.732	2.250	0.625
IG	29507-2940	1.375	2.000	0.625	IG	29507-4868	0.787	1.378	0.625
IG	29507-2971	1.571	2.571	0.625	IG	29507-4889	1.936	2.367	0.625
IG	29507-3029	1.562	2.500	0.625	IG	29507-4890	2.437	2.930	0.625
IG	29507-3052	2.160	3.160	0.625	IG	29507-4893	3.500	4.125	0.625
IG	29507-3107	2.755	3.741	0.625	IG	29507-4920	1.181	1.654	0.625
IG	29507-3266	1.967	2.967	0.625	IG	29507-4922	1.260	1.850	0.625
IG	29507-3316	2.953	3.740	0.625	IG	29507-4924	1.378	1.850	0.625
IG	29507-3388	1.181	2.181	0.625	IG	29507-4925	1.378	1.969	0.625
IG	29507-3398	1.000	1.750	0.625	IG	29507-4926	1.378	2.047	0.625
IG	29507-3534	1.250	1.687	0.625	IG	29507-4934	1.496	2.165	0.625
IG	29507-4106	0.875	1.250	0.625	IG	29507-4938	1.654	2.165	0.625
IG	29507-4121	1.062	1.624	0.625	IG	29507-4945	1.969	2.677	0.625
IG	29507-4122	0.937	1.500	0.625	IG	29507-4948	2.047	2.677	0.625
IG	29507-4123	0.875	1.625	0.625	IG	29507-4951	2.165	2.756	0.625
IG	29507-4130	1.500	2.000	0.625	IG	29507-4952	2.165	2.835	0.625
IG	29507-4176	1.375	1.875	0.625	IG	29507-5004	2.955	3.500	0.625
IG	29507-4183	1.750	2.375	0.625	IG	29507-5006	4.130	4.505	0.625
IG	29507-4184	1.125	1.750	0.625	IG	29507-5012	2.188	2.832	0.625
IG	29507-4206	1.063	1.643	0.625	IG	29507-5013	2.543	3.543	0.625
IG	29507-4317	0.625	1.250	0.625	IG	29507-5014	2.746	3.746	0.625
IG	29507-4318	1.370	2.060	0.625	IG	29507-5016	2.556	3.556	0.625
IG	29507-4333	1.060	1.625	0.625	IG	29507-5062	2.875	3.375	0.625
IG	29507-4334	1.125	1.562	0.625	IG	29507-5063	2.375	2.938	0.625
IG	29507-4337	2.155	2.875	0.625	IG	29507-5068	1.575	2.283	0.625
IG	29507-4339	0.875	1.500	0.625	IG	29507-5093	2.200	2.750	0.625
IG	29507-4340	1.250	1.750	0.625	IG	29507-5097	1.375	2.263	0.625
IG	29507-4398	2.950	3.460	0.625	IG	29507-5098	2.125	3.129	0.625
IG	29507-4414	1.812	2.312	0.625	IG	29507-5112	1.156	1.875	0.625
IG	29507-4456	1.438	2.125	0.625	IG	29507-5126	2.362	3.308	0.625

All dimensions are in inches. Preferred sizes are indicated with **bold** type face. Sizes listed are for standard nitrile elements, except Models 25 and 62 which have PTFE elements. Other material available on inquiry only.

Oil Seals by Model Number

Garlock

MODEL NO	PART NO	SHAFT	BORE	WIDTH	MODEL NO	PART NO	SHAFT	BORE	WIDTH
IG	29507-5129	1.938	2.623	0.625	IG	29507-5563	4.938	5.500	0.625
IG	29507-5136	3.188	3.688	0.625	IG	29507-5564	2.250	2.875	0.625
IG	29507-5137	4.000	4.500	0.625	IG	29507-5586	0.984	1.929	0.625
IG	29507-5138	1.766	2.323	0.625	IG	29507-5624	1.438	1.938	0.625
IG	29507-5139	2.441	2.992	0.625	IG	29507-5649	2.500	3.000	0.625
IG	29507-5151	2.000	2.712	0.625	IG	29507-5650	3.000	3.500	0.625
IG	29507-5153	2.938	3.544	0.625	IG	29507-5651	2.027	2.626	0.625
IG	29507-5171	0.983	1.983	0.625	IG	29507-5685	1.062	1.500	0.625
IG	29507-5199	2.185	3.185	0.625	IG	29507-5703	1.938	2.500	0.625
IG	29507-5200	1.685	2.685	0.625	IG	29507-5724	7.250	7.625	0.625
IG	29507-5201	1.745	2.745	0.625	IG	29507-5737	1.716	2.219	0.625
IG	29507-5204	1.181	1.772	0.625	IG	29507-5738	1.768	2.193	0.625
IG	29507-5205	0.984	1.486	0.625	IG	29507-5744	2.000	2.375	0.625
IG	29507-5207	1.125	1.500	0.625	IG	29507-5747	1.875	2.250	0.625
IG	29507-5215	3.000	5.875	0.750	IG	29507-5812	1.156	2.000	0.625
IG	29507-5217	1.754	2.754	0.625	IG	29507-5817	0.590	1.375	0.625
IG	29507-5218	3.158	4.158	0.625	IG	29507-5824	1.875	2.500	0.625
IG	29507-5225	1.726	2.250	0.625	IG	29507-5922	2.125	2.750	0.625
IG	29507-5265	2.375	3.000	0.625	IGSPB	29516-4832	2.938	3.817	1.000
IG	29507-5266	4.331	4.961	0.625	IGSPB	29516-5113	3.938	5.807	0.828
IG	29507-5270	1.889	2.874	0.625	IGSPB	29516-5124	3.375	4.335	0.770
IG	29507-5282	0.785	1.750	0.625	IGSPB	29516-5125	4.125	5.085	0.770
IG	29507-5283	0.750	1.125	0.625	IGSPB	29516-5131	3.188	4.335	1.000
IG	29507-5290	1.625	2.250	0.625	IGSPB	29516-5271	4.125	5.085	1.051
IG	29507-5291	1.773	2.500	0.625	IGSPB	29516-5272	3.375	4.335	0.990
IG	29507-5295	2.147	2.875	0.625	IGSPB	29516-5411	2.559	3.760	0.788
IG	29507-5308	1.813	2.750	0.625	IGSPB	29516-5432	1.438	2.063	0.820
IG	29507-5316	2.490	2.875	0.625	IGSPB	29516-5504	6.000	7.343	0.983
IG	29507-5318	1.998	2.500	0.625	IGSPB	29516-7069	2.438	3.188	0.945
IG	29507-5319	1.750	2.312	0.625	IGSPB	29516-7070	3.000	3.813	1.007
IG	29507-5322	0.781	1.375	0.625	IGSPB	29516-7071	3.625	4.333	1.102
IG	29507-5326	4.646	5.039	0.625	IGSPB	29516-7072	5.313	6.375	1.187
IG	29507-5360	1.625	2.125	0.625	IGSPB	29516-7073	6.250	7.343	1.187
IG	29507-5363	1.878	2.754	0.625	IGSPB	29516-7074	6.063	7.343	1.187
IG	29507-5373	1.500	2.219	0.625	IGSPB	29516-7075	7.000	8.383	1.062
IG	29507-5384	0.750	1.378	0.625	IGSPB	29516-7076	2.250	2.938	1.007
IG	29507-5394	1.125	1.875	0.625	IGSPB	29516-7077	2.875	3.563	1.102
IG	29507-5401	1.750	2.437	0.625	IGSPB	29516-7078	2.063	2.823	0.974
IG	29507-5406	2.438	2.813	0.625	IGSPB	29516-7079	2.563	3.198	0.974
IG	29507-5408	1.688	2.506	0.625	IGSPB	29516-7080	1.875	2.563	0.974
IG	29507-5412	1.000	1.687	0.625	IGSPB	29516-7081	2.375	2.948	0.974
IG	29507-5435	0.906	1.500	0.625	IGSPB 29516-7082	2.438	3.188	1.102	
IG	29507-5478	2.148	2.875	0.625	IGSPB	29516-7083	2.500	3.188	1.102
IG	29507-5482	1.570	2.000	0.625	IGSPB	29516-7084	3.063	3.813	1.007
IG	29507-5502	2.000	2.500	0.625	IGSPB	29516-7085	2.813	3.563	1.102
IG	29507-5518	1.880	2.625	0.625	IGSPB	29516-7086	3.438	4.333	1.102
IG	29507-5519	1.685	3.185	0.625	IGSPB	29516-7087	3.813	4.773	1.062
IG	29507-5536	1.260	1.654	0.625	IGSPB	29516-7088	4.188	5.230	1.062
IG	29507-5544	2.559	3.228	0.625	IGSPB	29516-7089	4.875	5.980	1.062
IG	29507-5547	1.938	2.412	0.625	IGSPB	29516-7090	4.563	5.543	1.062
IG	29507-5552	1.417	2.125	0.625	IGSPB	29516-7091	5.313	6.375	1.062
IG	29507-5554	1.969	2.690	0.625	IGSPB	29516-7092	1.938	2.563	0.974

All dimensions are in inches. Preferred sizes are indicated with **bold** type face.

Sizes listed are for standard nitrile elements, except Models 25 and 62 which have PTFE elements. Other material available on inquiry only.

Garlock

Oil Seals by Model Number

MODEL NO	PART NO	SHAFT	BORE	WIDTH	MODEL NO	PART NO	SHAFT	BORE	WIDTH
IGSPB	29516-7093	2.188	2.823	0.974	IG	29519-1479	2.250	3.000	0.625
IGSPB	29516-7094	2.688	3.563	1.102	IG	29519-1818	2.500	3.500	0.625
IGSPB	29516-7095	2.938	3.813	1.007	IG	29519-2923	5.000	6.250	0.625
IGSPB	29516-7096	3.250	4.335	1.124	IG	29519-3114	2.559	3.583	0.625
IGSPB	29516-7097	3.500	4.523	1.124	IG	29519-3125	4.332	5.354	0.625
IGSPB	29516-7098	3.938	4.960	1.062	IG	29519-3294	2.438	3.350	0.625
IGSPB	29516-7099	4.438	5.543	1.062	IG	29519-3426	6.500	7.500	0.625
IGSPB	29516-7100	4.938	5.980	1.062	IG	29519-3462	6.750	8.125	0.625
IGSPB	29516-7102	5.000	5.980	1.062	IG	29519-3552	7.500	9.000	0.625
IGSPB	29516-7103	5.438	6.750	0.983	IG	29519-5126	2.362	3.308	0.625
IGSPB	29516-7104	6.438	7.780	1.187	IG	29519-5641	3.150	4.375	0.625
IGSPB	29516-7105	2.188	2.938	1.007	IG	29519-5643	2.500	3.625	0.640
IGSPB	29516-7106	2.938	3.940	1.062	IG	29519-5655	6.442	7.500	0.625
IGSPB	29516-7107	6.938	8.383	1.249	IG	29519-5736	0.984	1.772	0.625
IGSPB	29516-7108	3.188	4.335	1.124	IG	29519-5741	6.430	7.500	0.625
IGSPB	29516-7109	6.938	8.383	1.312	IG	29519-5750	8.661	9.912	0.625
IGSPB	29516-7110	5.938	7.343	1.200	IG	29519-5756	2.480	3.268	0.625
IGSPB	29516-7112	3.438	4.460	1.124	IG	29519-5783	7.087	8.071	0.625
IGSPB	29516-7113	3.438	4.523	1.124	IG	29519-5806	2.938	3.875	0.625
IGSPB	29516-7114	3.500	5.807	0.828					
IGSPB	29516-7115	2.938	4.173	0.879					
IGSPB	29516-7116	3.437	5.807	0.828					
IGSPB	29516-7117	3.937	6.201	0.988					
IGSPB	29516-7121	5.188	6.375	1.116					
IGSPB	29516-7122	4.437	6.201	0.828					
IGSPB	29516-7123	4.938	6.988	0.827					
IGSPB	29516-7125	5.875	6.938	1.116					
IGSPB	29516-7126	5.750	6.938	1.116					
IGSPB	29516-7127	6.625	7.718	1.116					
IGSPB	29516-7128	1.500	2.063	0.820					
IGSPB	29516-7129	1.688	2.313	0.820					
IGSPB	29516-7130	1.772	3.228	0.710					
IGSPB	29516-7133	3.938	5.085	1.050					
IGSPB	29516-7134	4.938	7.382	0.918					
IGSPB	29516-7135	4.500	5.543	1.050					
IGSPB	29516-7136	2.362	3.366	0.788					
IGSPB	29516-7137	4.125	5.230	0.963					
IGSPB	29516-7139	2.438	3.876	0.700					
IGSPB	29516-7142	3.346	4.370	0.694					
IGSPB	29516-7146	7.437	8.945	1.115					
IGSPB	29516-7148	4.500	6.988	0.807					
IGSPB	29516-7150	5.500	6.750	1.062					
IGSPB	29516-7152	2.953	3.976	0.696					
IG	29519-0988	1.125	2.000	0.625					
IG	29519-0989	1.875	2.625	0.625					
IG	29519-0998	1.750	2.875	0.625					
IG	29519-1075	1.875	2.750	0.625					
IG	29519-1083	1.000	2.000	0.625					
IG	29519-1092	1.375	2.125	0.625					
IG	29519-1220	3.000	4.000	0.625					
IG	29519-1238	2.750	3.500	0.625					
IG	29519-1265	3.000	3.750	0.625					

All dimensions are in inches. Preferred sizes are indicated with **bold** type face.

Sizes listed are for standard nitrile elements, except Models 25 and 62 which have PTFE elements. Other material available on inquiry only.

Oil Seals by Model Number

Garlock

MODEL NO.	GARLOCK PART NO.	SHAFT DIAMETER	MODEL NO.	GARLOCK PART NO.	SHAFT DIAMETER
145A-1	21700-0450	17.72 - 17.91	145A-1	21700-0660	25.98 - 26.38
145A-1	21700-0455	17.91 - 18.11	145A-1	21700-0670	26.38 - 26.77
145A-1	21700-0460	18.11 - 18.31	145A-1	21700-0680	26.77 - 27.17
145A-1	21700-0465	18.31 - 18.50	145A-1	21700-0690	21.17 - 27.56
145A-1	21700-0470	18.50 - 18.70	145A-1	21700-0700	27.56 - 27.95
145A-1	21700-0475	18.70 - 18.90	145A-1	21700-0710	27.95 - 28.35
145A-1	21700-0480	18.90 - 19.09	145A-1	21700-0720	28.35 - 28.74
145A-1	21700-0485	19.09 - 19.29	145A-1	21700-0730	28.74 - 29.13
145A-1	21700-0490	19.29 - 19.49	145A-1	21700-0740	29.13 - 29.53
145A-1	21700-0495	19.49 - 19.69	145A-1	21700-0750	29.53 - 29.84
145A-1	21700-0500	19.69 - 19.88	145A-1	21700-0760	29.84 - 30.16
145A-1	21700-0505	19.88 - 20.08	145A-1	21700-0770	30.16 - 30.47
145A-1	21700-0510	20.08 - 20.28	145A-1	21700-0780	30.47 - 30.83
145A-1	21700-0515	20.28 - 20.47	145A-1	21700-0790	30.83 - 31.18
145A-1	21700-0520	20.47 - 20.67	145A-1	21700-0800	31.18 - 31.54
145A-1	21700-0525	20.67 - 20.87	145A-1	21700-0810	31.54 - 31.89
145A-1	21700-0530	20.87 - 21.06	145A-1	21700-0820	31.89 - 32.32
145A-1	21700-0535	21.06 - 21.26	145A-1	21700-0830	32.32 - 32.72
145A-1	21700-0540	21.26 - 21.46	145A-1	21700-0840	32.72 - 33.11
145A-1	21700-0545	21.46 - 21.65	145A-1	21700-0850	33.11 - 33.50
145A-1	21700-0550	21.65 - 21.85	145A-1	21700-0860	33.50 - 33.90
145A-1	21700-0555	21.85 - 22.05	145A-1	21700-0870	33.90 - 34.29
145A-1	21700-0560	22.05 - 22.24	145A-1	21700-0880	34.29 - 34.72
145A-1	21700-0565	22.24 - 22.44	145A-1	21700-0890	34.72 - 35.12
145A-1	21700-0570	22.44 - 22.64	145A-1	21700-0900	35.12 - 35.91
145A-1	21700-0575	22.64 - 22.84	145A-1	21700-0920	35.91 - 36.30
145A-1	21700-0580	22.84 - 23.03	145A-1	21700-0930	36.30 - 36.73
145A-1	21700-0585	23.03 - 23.23	145A-1	21700-0940	36.73 - 37.17
145A-1	21700-0590	23.23 - 23.62	145A-1	21700-0950	37.17 - 37.60
145A-1	21700-0600	23.62 - 24.02	145A-1	21700-0960	37.60 - 38.03
145A-1	21700-0610	24.02 - 24.41	145A-1	21700-0970	38.03 - 38.47
145A-1	21700-0620	24.41 - 24.80	145A-1	21700-0980	38.47 - 38.90
145A-1	21700-0630	24.80 - 25.20	145A-1	21700-0990	38.90 - 39.33
145A-1	21700-0640	25.20 - 25.59	145A-1	21700-1000	39.33 - 39.76
145A-1	21700-0650	25.59 - 25.98	145A-1	21700-1020	39.76 - 40.35

All dimensions are in inches. Preferred sizes are indicated with **bold** type face.
 Sizes listed are for standard nitrile elements, except Models 25 and 62 which have PTFE elements. Other material available on inquiry only.

Garlock

Oil Seals by Model Number

MODEL NO.	GARLOCK PART NO.	SHAFT DIAMETER	MODEL NO.	GARLOCK PART NO.	SHAFT DIAMETER
145A-1	21700-1040	40.35 - 41.14	145A-2	21750-0200	7.48 - 8.27
145A-1	21700-1060	41.14 - 41.93	145A-2	21750-0220	8.27 - 9.25
145A-1	21700-1080	41.93 - 42.72	145A-2	21750-0250	9.25 - 10.43
145A-1	21700-1100	42.72 - 43.50	145A-2	21750-0275	10.43 - 11.42
145A-1	21700-1120	43.50 - 44.29	145A-2	21750-0300	11.42 - 12.20
145A-1	21700-1140	44.29 - 45.08	145A-2	21750-0325	12.20 - 13.19
145A-1	21700-1160	45.08 - 45.87	145A-2	21750-0350	13.19 - 14.37
145A-1	21700-1180	45.87 - 46.65	145A-2	21750-0375	14.37 - 15.35
145A-1	21700-1200	46.65 - 47.44	145A-2	21750-0400	15.35 - 16.93
145A-1	21700-1220	47.44 - 48.23	145A-2	21750-0450	16.93 - 18.90
145A-1	21700-1240	48.23 - 49.02	145A-2	21750-0500	18.90 - 20.87
145A-1	21700-1260	49.02 - 50.00	145A-2	21750-0550	20.87 - 22.83
145A-1	21700-1280	50.00 - 50.98	145A-2	21750-0600	22.83 - 24.80
145A-1	21700-1300	50.98 - 51.77	145A-2	21750-0650	24.80 - 26.18
145A-1	21700-1325	51.77 - 52.76	145A-2	21750-0700	26.18 - 27.76
145A-1	21700-1350	52.76 - 53.74	145A-2	21750-0725	27.76 - 29.33
145A-1	21700-1375	53.74 - 54.72	145A-2	21750-0750	29.33 - 30.91
145A-1	21700-1400	54.72 - 55.71	145A-2	21750-0800	30.91 - 32.68
145A-1	21700-1425	55.71 - 56.69	145A-2	21750-0850	32.68 - 34.45
145A-1	21700-1450	56.69 - 57.68	145A-2	21750-0900	34.45 - 36.22
145A-1	21700-1475	57.68 - 58.66	145A-2	21750-0950	36.22 - 37.99
145A-1	21700-1500	58.66 - 59.65	145A-2	21750-1000	37.99 - 39.96
145A-1	21700-1525	59.65 - 60.63	145A-2	21750-1050	39.96 - 41.39
145A-1	21700-1550	60.63 - 61.81	145A-2	21750-1100	41.93 - 43.90
145A-1	21700-1575	61.81 - 62.99	145A-2	21750-1150	43.90 - 45.87
145A-1	21700-1600	62.99 - 64.57	145A-2	21750-1200	45.87 - 47.84
145A-1	21700-1650	64.57 - 66.14	145A-2	21750-1250	47.84 - 50.00
145A-1	21700-1700	66.14 - 67.72	145A-2	21750-1300	50.00 - 51.97
145A-1	21700-1750	67.72 - 69.49	145A-2	21750-1350	51.97 - 53.94
145A-1	21700-1800	69.49 - 71.26	145A-2	21750-1400	53.94 - 55.91
145A-1	21700-1850	71.26 - 73.03	145A-2	21750-1450	55.91 - 57.87
145A-1	21700-1900	73.03 - 75.00	145A-2	21750-1500	57.87 - 59.84
145A-1	21700-1950	75.00 - 76.97	145A-2	21750-1550	59.84 - 61.81
145A-1	21700-2000	76.97 - 79.13	145A-2	21750-1600	61.81 - 63.78
			145A-2	21750-1650	63.78 - 65.75

All dimensions are in inches. Preferred sizes are indicated with **bold** type face. Sizes listed are for standard nitrile elements, except Models 25 and 62 which have PTFE elements. Other material available on inquiry only.

Oil Seals by Model Number

Garlock

MODEL NO.	GARLOCK PART NO.	SHAFT DIAMETER	MODEL NO.	GARLOCK PART NO.	SHAFT DIAMETER
145A-2	21750-1700	65.75 - 67.72			
145A-2	21750-1750	67.72 - 69.69			
145A-2	21750-1800	69.69 - 71.65			
145A-2	21750-1850	71.65 - 73.62			
145A-2	21750-1900	73.62 - 75.59			
<hr/>					
145A-2	21750-1950	75.59 - 77.56			
145A-2	21750-2000	77.56 - 79.53			

All dimensions are in inches. Preferred sizes are indicated with **bold** type face.
Sizes listed are for standard nitrile elements, except Models 25 and 62 which have PTFE elements. Other material available on inquiry only.

SHAFT	BORE	WIDTH	MODEL NO.	PART NO.	SHAFT	BORE	WIDTH	MODEL NO.	PART NO.
0.188	0.750	0.250	61	24060-7727	0.375	1.375	0.312	63	21158-0023
0.188	0.750	0.250	63	21158-7727	0.375	1.378	0.312	63	21158-8335
0.250	0.500	0.125	71	26001-7000	0.394	0.748	0.276	92	27063-0004
0.250	0.562	0.187	76	26193-6035	0.394	0.984	0.276	92	27063-0012
0.250	0.750	0.250	61	24060-3863	0.406	0.875	0.312	62	21702-0025
0.250	0.750	0.250	63	21158-3863	0.406	1.000	0.312	63	21158-0027
0.250	0.750	0.250	92	27063-3863	0.406	1.125	0.312	63	21158-0029
0.250	0.750	0.469	63R1	23547-7146	0.406	1.182	0.312	63	21158-8009
0.250	0.750	0.469	63R2	23548-7146	0.406	1.250	0.312	62	21702-0031
0.250	0.750	0.469	63T2	23550-7146	0.406	1.250	0.312	63	21158-0031
0.250	0.875	0.250	63	21158-3864	0.406	1.260	0.312	63	21158-8010
0.281	0.686	0.125	91	27023-7001	0.406	1.375	0.375	63	21158-0034
0.281	0.750	0.250	63	21158-0001	0.406	1.378	0.312	63	21158-8336
0.313	0.506	0.125	71	26001-8801	0.438	0.621	0.125	91	27023-6635
0.313	0.562	0.156	91	27023-6053	0.438	0.687	0.125	71	26001-6060
0.313	0.687	0.219	92	27063-9500	0.438	0.875	0.187	71	26001-7007
0.313	0.687	0.250	92	27063-6055	0.438	0.875	0.234	94	27223-6062
0.313	0.750	0.250	61	24060-0005	0.438	0.875	0.312	62	21702-0035
0.313	0.750	0.250	63	21158-0005	0.438	0.875	0.312	63	21158-0035
0.313	0.750	0.250	71	26001-0005	0.438	0.875	0.312	66	21527-0035
0.313	0.750	0.312	63	21158-0006	0.438	0.875	0.375	63	21158-0036
0.313	0.875	0.250	63	21158-0007	0.438	0.875	0.437	63F1	23078-7122
0.313	0.875	0.312	63	21158-0008	0.438	0.875	0.594	63R1	23547-5893
0.315	0.709	0.197	61	24060-1748	0.438	0.875	0.594	63T2	23550-5893
0.343	0.750	0.250	63	21158-0009	0.438	1.000	0.312	62	21702-0037
0.343	0.750	0.312	63	21158-0010	0.438	1.000	0.312	63	21158-0037
0.343	0.875	0.250	63	21158-0011	0.438	1.000	0.375	62	21702-0038
0.375	0.562	0.094	71	26001-7004	0.438	1.000	0.375	63	21158-0038
0.375	0.625	0.125	71	26001-7005	0.438	1.024	0.250	71	26001-7008
0.375	0.750	0.187	92	27063-9501	0.438	1.124	0.690	EQ	24807-3242
0.375	0.750	0.250	61	24060-0013	0.438	1.125	0.312	62	21702-0039
0.375	0.750	0.250	63	21158-0013	0.438	1.125	0.312	63	21158-0039
0.375	0.750	0.250	71	26001-0013	0.438	1.125	0.375	63	21158-0040
0.375	0.750	0.250	76	26193-0013	0.438	1.182	0.312	63	21158-8101
0.375	0.750	0.312	63	21158-0014	0.438	1.250	0.312	63	21158-0041
0.375	0.750	0.469	63R2	23548-6733	0.438	1.250	0.375	63	21158-0042
0.375	0.875	0.250	61	24060-0015	0.438	1.260	0.312	63	21158-8011
0.375	0.875	0.250	63	21158-0015	0.438	1.375	0.312	63	21158-3865
0.375	0.875	0.250	66	21527-0015	0.438	1.375	0.312	66	21527-3865
0.375	0.875	0.312	63	21158-0016	0.438	1.378	0.312	63	21158-8337
0.375	0.875	0.469	63R2	23548-8496	0.469	0.703	0.125	71	26001-7009
0.375	0.875	0.690	EQ	24807-2124	0.469	0.718	0.125	91	27023-9660
0.375	1.000	0.312	61	24060-0017	0.469	1.000	0.312	63	21158-0043
0.375	1.000	0.312	63	21158-0017	0.469	1.000	0.375	63	21158-0044
0.375	1.000	0.375	63	21158-0018	0.469	1.125	0.312	63	21158-0045
0.375	1.000	0.375	63F1	23078-0018	0.469	1.125	0.375	63	21158-0046
0.375	1.125	0.312	63	21158-0019	0.469	1.182	0.312	63	21158-8012
0.375	1.125	0.375	63	21158-0020	0.469	1.250	0.312	62	21702-0047
0.375	1.182	0.312	63	21158-8008	0.469	1.250	0.312	63	21158-0047
0.375	1.250	0.312	63	21158-0021	0.469	1.260	0.312	63	21158-6623
0.375	1.260	0.312	63	21158-8007	0.469	1.375	0.312	63	21158-3867
0.375	1.375	0.312	61	24060-0023	0.469	1.378	0.312	63	21158-8338

All dimensions are in inches. Preferred sizes are indicated with **bold** type face.
 Sizes listed are for standard nitrile elements, except Models 25 and 62 which have PTFE elements. Other material available on inquiry only.

Oil Seals by Shaft Size

Garlock

SHAFT	BORE	WIDTH	MODEL NO.	PART NO.	SHAFT	BORE	WIDTH	MODEL NO.	PART NO.
0.472	0.866	0.276	92	27063-0020	0.500	1.375	0.312	68	21823-0055
0.472	0.984	0.276	92	27063-0022	0.500	1.375	0.375	63	21158-0056
0.472	1.102	0.276	61	24060-0024	0.500	1.375	0.562	63T2	23550-4781
0.472	1.102	0.276	92	27063-0024	0.500	1.378	0.312	62	21702-8102
0.500	0.687	0.094	71	26001-7011	0.500	1.378	0.312	63	21158-8102
0.500	0.687	0.125	71	26001-7012	0.500	1.500	0.312	62	21702-0057
0.500	0.750	0.109	71	26001-6069	0.500	1.500	0.312	63	21158-0057
0.500	0.750	0.125	71	26001-7013	0.500	1.500	0.312	67	21528-0057
0.500	0.801	0.187	76	26193-6071	0.500	1.500	0.312	68	21823-0057
0.500	0.875	0.125	71	26001-7014	0.500	1.500	0.375	63	21158-0058
0.500	0.875	0.234	94	27223-6074	0.500	1.500	0.625	IG	29507-4659
0.500	0.875	0.312	76	26193-7501	0.512	1.606	0.625	EQ	24801-4568
0.500	0.999	0.250	3	28003-0060	0.512	1.606	0.625	EQ	24802-4568
0.500	1.000	0.250	61	24060-9505	0.531	1.125	0.312	63	21158-0059
0.500	1.000	0.250	92	27063-9505	0.531	1.125	0.375	63	21158-0060
0.500	1.000	0.312	25	25058-0049	0.531	1.182	0.312	63	21158-8015
0.500	1.000	0.312	61	24060-0049	0.531	1.250	0.312	63	21158-0061
0.500	1.000	0.312	61	24061-0049	0.531	1.250	0.375	62	21702-0062
0.500	1.000	0.312	62	21702-0049	0.531	1.250	0.375	63	21158-0062
0.500	1.000	0.312	63	21158-0049	0.531	1.260	0.312	63	21158-8016
0.500	1.000	0.375	61	24062-0050	0.531	1.375	0.312	63	21158-0063
0.500	1.000	0.375	62	21702-0050	0.531	1.378	0.312	63	21158-8340
0.500	1.000	0.375	63	21158-0050	0.531	1.500	0.312	63	21158-0065
0.500	1.000	0.375	67	21528-0050	0.551	0.945	0.276	92	27063-0026
0.500	1.000	0.594	63R1	23547-6442	0.562	0.750	0.094	71	26001-7017
0.500	1.000	0.594	63R2	23548-6442	0.562	0.875	0.187	76	26193-7503
0.500	1.124	0.250	3	28003-0072	0.562	1.000	0.187	76	26193-7504
0.500	1.125	0.250	61	24060-6077	0.562	1.000	0.250	92	27063-9507
0.500	1.125	0.250	92	27063-6077	0.562	1.000	0.312	62	21702-3869
0.500	1.125	0.312	62	21702-0051	0.562	1.000	0.312	63	21158-3869
0.500	1.125	0.312	63	21158-0051	0.562	1.000	0.594	63R2	23548-4852
0.500	1.125	0.312	67	21528-0051	0.562	1.125	0.312	62	21702-0067
0.500	1.125	0.312	68	21823-0051	0.562	1.125	0.312	63	21158-0067
0.500	1.125	0.375	62	21702-0052	0.562	1.125	0.312	67	21528-0067
0.500	1.125	0.375	63	21158-0052	0.562	1.125	0.312	68	21823-0067
0.500	1.125	0.531	63F1	23078-5391	0.562	1.125	0.375	63	21158-0068
0.500	1.125	0.562	63F1	23078-6986	0.562	1.125	0.437	63F1	23078-8763
0.500	1.125	0.562	63R1	23547-6986	0.562	1.125	0.562	63R2	23548-6567
0.500	1.182	0.312	63	21158-7345	0.562	1.182	0.312	63	21158-8018
0.500	1.250	0.250	3	28003-0081	0.562	1.250	0.312	63	21158-0069
0.500	1.250	0.250	61	24060-7016	0.562	1.250	0.312	67	21528-0069
0.500	1.250	0.250	71	26001-7016	0.562	1.250	0.312	68	21823-0069
0.500	1.250	0.312	62	21702-0053	0.562	1.250	0.375	63	21158-0070
0.500	1.250	0.312	63	21158-0053	0.562	1.250	0.562	63F1	23078-7201
0.500	1.250	0.312	67	21528-0053	0.562	1.260	0.312	63	21158-6643
0.500	1.250	0.312	68	21823-0053	0.562	1.375	0.312	63	21158-0071
0.500	1.250	0.375	63	21158-0054	0.562	1.375	0.312	67	21528-0071
0.500	1.250	0.562	63R1	23547-8272	0.562	1.375	0.312	68	21823-0071
0.500	1.260	0.312	63	21158-8013	0.562	1.375	0.375	63	21158-0072
0.500	1.375	0.312	62	21702-0055	0.562	1.375	0.406	63	21158-5396
0.500	1.375	0.312	63	21158-0055	0.562	1.375	0.562	63T2	23550-8267
0.500	1.375	0.312	67	21528-0055	0.562	1.378	0.250	76	26193-9370

All dimensions are in inches. Preferred sizes are indicated with **bold** type face.

Sizes listed are for standard nitrile elements, except Models 25 and 62 which have PTFE elements. Other material available on inquiry only.

SHAFT	BORE	WIDTH	MODEL NO.	PART NO.	SHAFT	BORE	WIDTH	MODEL NO.	PART NO.
0.562	1.378	0.312	63	21158-8341	0.625	1.125	0.312	67	21528-0087
0.562	1.378	0.375	67	21528-5071	0.625	1.125	0.312	68	21823-0087
0.562	1.378	0.375	68	21823-5071	0.625	1.125	0.312	92	27063-0087
0.562	1.500	0.312	63	21158-0073	0.625	1.125	0.375	63	21158-0088
0.562	1.500	0.312	67	21528-0073	0.625	1.125	0.375	76	26193-0088
0.562	1.500	0.312	68	21823-0073	0.625	1.125	0.500	63F1	23078-5657
0.562	1.575	0.312	63	21158-0075	0.625	1.125	0.562	63R2	23548-6637
0.562	1.575	0.312	67	21528-0075	0.625	1.125	0.562	63T2	23550-6637
0.562	1.575	0.312	68	21823-0075	0.625	1.182	0.312	63	21158-8023
0.590	1.375	0.625	IG	29507-5817	0.625	1.250	0.250	3	28003-0213
0.591	0.945	0.276	92	27063-0028	0.625	1.250	0.250	61	24060-9509
0.591	1.024	0.276	92	27063-0030	0.625	1.250	0.250	92	27063-9509
0.591	1.260	0.276	92	27063-0032	0.625	1.250	0.312	61	24060-0089
0.591	1.378	0.276	92	27063-0033	0.625	1.250	0.312	62	21702-0089
0.594	1.125	0.250	92	27063-8833	0.625	1.250	0.312	63	21158-0089
0.594	1.125	0.312	62	21702-0077	0.625	1.250	0.312	67	21528-0089
0.594	1.125	0.312	63	21158-0077	0.625	1.250	0.312	68	21823-0089
0.594	1.125	0.375	63	21158-0078	0.625	1.250	0.312	94	27223-0089
0.594	1.125	0.437	63F1	23078-8318	0.625	1.250	0.375	61	24060-0090
0.594	1.182	0.312	61	24060-8020	0.625	1.250	0.375	62	21702-0090
0.594	1.182	0.312	63	21158-8020	0.625	1.250	0.375	63	21158-0090
0.594	1.250	0.312	63	21158-0079	0.625	1.250	0.437	63F1	23078-7662
0.594	1.250	0.375	62	21702-0080	0.625	1.250	0.531	63F1	23078-5311
0.594	1.250	0.375	63	21158-0080	0.625	1.250	0.562	63R1	23547-7150
0.594	1.260	0.312	63	21158-8021	0.625	1.250	0.562	63T2	23550-7150
0.594	1.375	0.312	63	21158-0081	0.625	1.250	0.625	IG	29507-4317
0.594	1.375	0.312	94	27223-0081	0.625	1.250	0.690	EQ	24807-2828
0.594	1.375	0.375	63	21158-0082	0.625	1.260	0.312	63	21158-4680
0.594	1.375	0.562	63R2	23548-6971	0.625	1.300	0.625	IG	29507-4637
0.594	1.375	0.562	63T2	23550-6971	0.625	1.375	0.250	3	28003-0225
0.594	1.378	0.312	63	21158-8109	0.625	1.375	0.250	25	25058-6050
0.594	1.500	0.312	63	21158-0083	0.625	1.375	0.250	92	27063-6050
0.594	1.500	0.375	63	21158-0084	0.625	1.375	0.312	61	24060-0091
0.594	1.575	0.312	62	21702-0085	0.625	1.375	0.312	62	21702-0091
0.594	1.575	0.312	63	21158-0085	0.625	1.375	0.312	63	21158-0091
0.624	1.374	0.625	EQ	24802-1328	0.625	1.375	0.312	67	21528-0091
0.625	0.812	0.094	71	26001-7020	0.625	1.375	0.312	68	21823-0091
0.625	0.812	0.094	91	27023-7020	0.625	1.375	0.375	63	21158-0092
0.625	1.000	0.125	71	26001-7024	0.625	1.375	0.562	63R2	23548-6856
0.625	1.000	0.250	71	26001-7021	0.625	1.375	0.562	63T2	23550-6856
0.625	1.000	0.250	92	27063-7021	0.625	1.378	0.312	63	21158-8342
0.625	1.000	0.250	94	27223-7021	0.625	1.500	0.312	61	24060-0093
0.625	1.062	0.187	71	26001-7022	0.625	1.500	0.312	61	24061-0093
0.625	1.124	0.250	3	28003-0201	0.625	1.500	0.312	63	21158-0093
0.625	1.125	0.125	71	26001-9428	0.625	1.500	0.312	67	21528-0093
0.625	1.125	0.187	71	26001-7023	0.625	1.500	0.312	68	21823-0093
0.625	1.125	0.250	91	27023-9508	0.625	1.500	0.375	63	21158-0094
0.625	1.125	0.250	92	27063-9508	0.625	1.500	0.562	63R2	23548-8339
0.625	1.125	0.312	61	24060-0087	0.625	1.575	0.312	63	21158-0095
0.625	1.125	0.312	61	24061-0087	0.625	1.575	0.375	62	21702-0096
0.625	1.125	0.312	62	21702-0087	0.625	1.575	0.375	63	21158-0096
0.625	1.125	0.312	63	21158-0087	0.625	1.575	0.375	94	27223-0096

All dimensions are in inches. Preferred sizes are indicated with **bold** type face. Sizes listed are for standard nitrile elements, except Models 25 and 62 which have PTFE elements. Other material available on inquiry only.

Oil Seals by Shaft Size

Garlock

SHAFT	BORE	WIDTH	MODEL NO.	PART NO.	SHAFT	BORE	WIDTH	MODEL NO.	PART NO.
0.625	1.625	0.312	61	24060-1251	0.687	1.260	0.312	63	21158-8029
0.625	1.625	0.750	IG	29502-4266	0.687	1.375	0.125	71	26001-9758
0.630	1.181	0.276	92	27063-0048	0.687	1.375	0.312	62	21702-0113
0.630	1.181	0.315	61	24060-2280	0.687	1.375	0.312	63	21158-0113
0.630	1.181	0.315	61	24062-2280	0.687	1.375	0.312	67	21528-0113
0.656	1.125	0.312	62	21702-0097	0.687	1.375	0.312	68	21823-0113
0.656	1.125	0.312	63	21158-0097	0.687	1.375	0.375	63	21158-0114
0.656	1.125	0.375	63	21158-0098	0.687	1.375	0.406	63	21158-5238
0.656	1.182	0.312	63	21158-8025	0.687	1.378	0.312	63	21158-8343
0.656	1.250	0.250	76	26193-5085	0.687	1.500	0.312	63	21158-0115
0.656	1.250	0.312	63	21158-0099	0.687	1.500	0.312	67	21528-0115
0.656	1.250	0.375	63	21158-0100	0.687	1.500	0.312	68	21823-0115
0.656	1.260	0.312	63	21158-8026	0.687	1.500	0.375	63	21158-0116
0.656	1.375	0.312	63	21158-0101	0.687	1.575	0.312	67	21528-0117
0.656	1.375	0.375	63	21158-0102	0.687	1.575	0.312	68	21823-0117
0.656	1.378	0.312	63	21158-4793	0.687	1.625	0.312	67	21528-0119
0.656	1.500	0.312	63	21158-0103	0.687	1.625	0.312	68	21823-0119
0.656	1.500	0.375	63	21158-0104	0.709	1.181	0.276	92	27063-0074
0.656	1.575	0.250	76	26193-6099	0.719	1.250	0.312	63	21158-0121
0.656	1.575	0.312	63	21158-0105	0.719	1.260	0.312	63	21158-7753
0.656	1.575	0.375	63	21158-0106	0.719	1.375	0.312	62	21702-0123
0.656	1.625	0.312	63	21158-0107	0.719	1.375	0.312	63	21158-0123
0.656	1.625	0.375	63	21158-0108	0.719	1.375	0.375	63	21158-0124
0.667	1.187	0.125	71	26001-8379	0.719	1.378	0.312	63	21158-7763
0.667	1.187	0.187	76	26193-8356	0.719	1.500	0.312	63	21158-0125
0.669	1.102	0.275	76	26193-9856	0.719	1.500	0.375	63	21158-0126
0.669	1.102	0.276	92	27063-9856	0.719	1.575	0.312	63	21158-0127
0.669	1.102	0.315	61	24060-1754	0.719	1.625	0.312	63	21158-0129
0.669	1.181	0.276	92	27063-0064	0.719	1.654	0.312	63	21158-8032
0.669	1.375	0.312	62	21702-5105	0.719	1.750	0.375	63	21158-0131
0.669	1.575	0.276	92	27063-0066	0.719	1.828	0.375	62	21702-0133
0.669	1.575	0.562	63T2	23550-7405	0.719	1.828	0.375	63	21158-0133
0.669	1.575	0.625	EQ	24801-5416	0.719	1.850	0.375	63	21158-8110
0.687	0.875	0.094	71	26001-7025	0.719	1.875	0.375	63	21158-0135
0.687	1.062	0.187	76	26193-7505	0.719	1.984	0.375	63	21158-0137
0.687	1.125	0.312	61	24060-0109	0.745	1.357	0.318	92	27063-1871
0.687	1.125	0.312	63	21158-0109	0.748	1.260	0.276	92	27063-0118
0.687	1.125	0.312	67	21528-0109	0.748	1.496	0.625	EQ	24801-5223
0.687	1.125	0.312	68	21823-0109	0.750	0.937	0.125	71	26001-7826
0.687	1.125	0.375	62	21702-0110	0.750	1.000	0.109	71	26001-6108
0.687	1.125	0.375	63	21158-0110	0.750	1.000	0.125	71	26001-7027
0.687	1.125	0.437	63F1	23078-4908	0.750	1.000	0.125	91	27023-7027
0.687	1.125	0.562	63R2	23548-7299	0.750	1.062	0.187	71	26001-7028
0.687	1.125	0.562	63T2	23550-7299	0.750	1.064	0.109	71	26001-7029
0.687	1.125	0.625	IG	29507-4724	0.750	1.125	0.125	71	26001-7030
0.687	1.182	0.312	63	21158-8028	0.750	1.125	0.187	76	26193-6113
0.687	1.250	0.312	62	21702-0111	0.750	1.125	0.187	91	27023-6113
0.687	1.250	0.312	63	21158-0111	0.750	1.125	0.187	92	27063-6113
0.687	1.250	0.312	67	21528-0111	0.750	1.125	0.234	94	27223-6114
0.687	1.250	0.312	68	21823-0111	0.750	1.125	0.625	IG	29507-5283
0.687	1.250	0.375	63	21158-0112	0.750	1.187	0.156	71	26001-7031
0.687	1.250	0.437	63F1	23078-5041	0.750	1.250	0.125	71	26001-7032

All dimensions are in inches. Preferred sizes are indicated with **bold** type face.

Sizes listed are for standard nitrile elements, except Models 25 and 62 which have PTFE elements. Other material available on inquiry only.

SHAFT	BORE	WIDTH	MODEL NO.	PART NO.	SHAFT	BORE	WIDTH	MODEL NO.	PART NO.
0.750	1.250	0.250	3	28003-0427	0.750	1.500	0.312	63	21158-0143
0.750	1.250	0.250	25	25058-7033	0.750	1.500	0.312	66	21527-0143
0.750	1.250	0.250	26	24600-7033	0.750	1.500	0.312	67	21528-0143
0.750	1.250	0.250	71	26001-7033	0.750	1.500	0.312	68	21823-0143
0.750	1.250	0.250	94	27223-7033	0.750	1.500	0.375	62	21702-0144
0.750	1.250	0.312	61	24060-0139	0.750	1.500	0.375	63	21158-0144
0.750	1.250	0.312	61	24061-0139	0.750	1.500	0.437	63F1	23078-6985
0.750	1.250	0.312	62	21702-0139	0.750	1.500	0.562	63R1	23547-7184
0.750	1.250	0.312	63	21158-0139	0.750	1.500	0.562	63T2	23550-7184
0.750	1.250	0.312	66	21527-0139	0.750	1.575	0.250	92	27063-6289
0.750	1.250	0.312	67	21528-0139	0.750	1.575	0.312	63	21158-0145
0.750	1.250	0.312	68	21823-0139	0.750	1.575	0.312	66	21527-0145
0.750	1.250	0.312	94	27223-0139	0.750	1.575	0.375	63	21158-0146
0.750	1.250	0.375	63	21158-0140	0.750	1.575	0.562	63T2	23550-5214
0.750	1.250	0.375	67	21528-0140	0.750	1.575	0.625	EQ	24801-3964
0.750	1.250	0.375	68	21823-0140	0.750	1.624	0.250	3	28003-0488
0.750	1.250	0.437	63F1	23078-6612	0.750	1.625	0.312	26	24600-9535
0.750	1.250	0.562	63R2	23548-6720	0.750	1.625	0.312	61	24060-0147
0.750	1.250	0.562	63T2	23550-6720	0.750	1.625	0.312	62	21702-0147
0.750	1.250	0.562	67R2	23683-6720	0.750	1.625	0.312	63	21158-0147
0.750	1.260	0.312	63	21158-8033	0.750	1.625	0.312	66	21527-0147
0.750	1.260	0.312	66	21527-8033	0.750	1.625	0.312	67	21528-0147
0.750	1.260	0.406	63	21158-3870	0.750	1.625	0.312	68	21823-0147
0.750	1.375	0.250	3	28003-0446	0.750	1.625	0.375	62	21702-0148
0.750	1.375	0.250	26R1	24620-8881	0.750	1.625	0.375	63	21158-0148
0.750	1.375	0.250	71	26001-7034	0.750	1.625	0.562	63T2	23550-6977
0.750	1.375	0.250	92	27063-7034	0.750	1.654	0.312	63	21158-8035
0.750	1.375	0.312	61	24060-0141	0.750	1.750	0.312	61	24060-1247
0.750	1.375	0.312	61	24061-0141	0.750	1.750	0.375	61	24060-0149
0.750	1.375	0.312	62	21702-0141	0.750	1.750	0.375	62	21702-0149
0.750	1.375	0.312	63	21158-0141	0.750	1.750	0.375	63	21158-0149
0.750	1.375	0.312	66	21527-0141	0.750	1.750	0.375	66	21527-0149
0.750	1.375	0.312	67	21528-0141	0.750	1.750	0.375	67	21528-0149
0.750	1.375	0.312	68	21823-0141	0.750	1.750	0.375	68	21823-0149
0.750	1.375	0.312	94	27223-0141	0.750	1.750	0.437	63	21158-0150
0.750	1.375	0.375	62	21702-0142	0.750	1.750	0.687	63T2	23550-2577
0.750	1.375	0.375	63	21158-0142	0.750	1.828	0.375	63	21158-0151
0.750	1.375	0.406	63	21158-4605	0.750	1.828	0.375	66	21527-0151
0.750	1.375	0.406	66	21527-4605	0.750	1.828	0.375	67	21528-0151
0.750	1.375	0.437	63F1	23078-6927	0.750	1.828	0.375	68	21823-0151
0.750	1.375	0.562	63R1	23547-4754	0.750	1.828	0.437	63	21158-0152
0.750	1.375	0.562	63R2	23548-4754	0.750	1.850	0.312	63	21158-4935
0.750	1.375	0.562	63T2	23550-4754	0.750	1.851	0.375	63	21158-6120
0.750	1.378	0.312	63	21158-8344	0.750	1.851	0.375	94	27223-6120
0.750	1.378	0.625	IG	29507-5384	0.750	1.875	0.312	61	24060-1257
0.750	1.379	0.690	EQ	24807-1786	0.750	1.875	0.375	63	21158-0153
0.750	1.437	0.250	71	26001-7035	0.750	1.875	0.375	66	21527-0153
0.750	1.499	0.250	3	28003-0458	0.750	1.875	0.375	67	21528-0153
0.750	1.499	0.625	EQ	24802-1405	0.750	1.875	0.375	68	21823-0153
0.750	1.500	0.312	61	24060-0143	0.750	1.875	0.625	IG	29507-4551
0.750	1.500	0.312	61	24061-0143	0.750	1.875	0.687	63T2	23550-5248
0.750	1.500	0.312	62	21702-0143	0.750	1.984	0.375	63	21158-0155

All dimensions are in inches. Preferred sizes are indicated with **bold** type face. Sizes listed are for standard nitrile elements, except Models 25 and 62 which have PTFE elements. Other material available on inquiry only.

Oil Seals by Shaft Size

Garlock

SHAFT	BORE	WIDTH	MODEL NO.	PART NO.	SHAFT	BORE	WIDTH	MODEL NO.	PART NO.
0.750	1.984	0.375	66	21527-0155	0.787	1.260	0.690	EQ	24807-1905
0.750	1.984	0.437	63	21158-0156	0.787	1.378	0.276	92	27063-0164
0.781	1.250	0.187	71	26001-7705	0.787	1.378	0.315	61	24060-1760
0.781	1.250	0.250	92	27063-5965	0.787	1.378	0.625	IG	29507-4868
0.781	1.250	0.312	62	21702-0157	0.787	1.575	0.276	92	27063-0184
0.781	1.250	0.312	63	21158-0157	0.787	1.575	0.625	EQ	24802-4596
0.781	1.250	0.312	67	21528-0157	0.787	1.575	0.750	IG	29502-4448
0.781	1.250	0.312	68	21823-0157	0.787	1.654	0.276	92	27063-0188
0.781	1.250	0.375	63	21158-0158	0.787	1.654	0.625	EQ	24801-5325
0.781	1.250	0.375	67	21528-0158	0.787	1.850	0.276	92	27063-0194
0.781	1.250	0.375	68	21823-0158	0.787	2.047	0.394	92	27063-0196
0.781	1.250	0.562	63T2	23550-8562	0.807	2.165	0.625	EQ	24802-2028
0.781	1.250	0.562	67T2	23621-8562	0.812	1.062	0.125	71	26001-7037
0.781	1.260	0.312	63	21158-8036	0.812	1.066	0.125	71	26001-7038
0.781	1.375	0.250	76	26193-9991	0.812	1.125	0.187	76	26193-6125
0.781	1.375	0.312	62	21702-0159	0.812	1.236	0.187	76	26193-7802
0.781	1.375	0.312	63	21158-0159	0.812	1.237	0.155	76	26193-5546
0.781	1.375	0.312	67	21528-0159	0.812	1.250	0.250	92	27063-6983
0.781	1.375	0.312	68	21823-0159	0.812	1.250	0.312	62	21702-0175
0.781	1.375	0.375	62	21702-0160	0.812	1.250	0.312	63	21158-0175
0.781	1.375	0.375	63	21158-0160	0.812	1.250	0.375	63	21158-0176
0.781	1.375	0.375	67	21528-0160	0.812	1.250	0.375	92	27063-0176
0.781	1.375	0.375	68	21823-0160	0.812	1.260	0.312	63	21158-8039
0.781	1.375	0.625	IG	29507-5322	0.812	1.375	0.312	63	21158-0177
0.781	1.378	0.312	63	21158-4965	0.812	1.375	0.375	63	21158-0178
0.781	1.500	0.312	63	21158-0161	0.812	1.377	0.156	71	26001-9413
0.781	1.500	0.312	67	21528-0161	0.812	1.378	0.312	63	21158-8345
0.781	1.500	0.312	68	21823-0161	0.812	1.500	0.312	63	21158-0179
0.781	1.500	0.375	63	21158-0162	0.812	1.500	0.375	63	21158-0180
0.781	1.500	0.562	63T2	23550-6662	0.812	1.575	0.312	63	21158-0181
0.781	1.500	0.562	67T2	23621-6662	0.812	1.575	0.312	94	27223-0181
0.781	1.575	0.312	63	21158-0163	0.812	1.575	0.375	63	21158-0182
0.781	1.625	0.125	71	26001-7619	0.812	1.625	0.312	62	21702-0183
0.781	1.625	0.312	63	21158-0165	0.812	1.625	0.312	63	21158-0183
0.781	1.625	0.312	67	21528-0165	0.812	1.654	0.312	63	21158-8041
0.781	1.625	0.312	68	21823-0165	0.812	1.750	0.375	63	21158-0185
0.781	1.625	0.375	63	21158-0166	0.812	1.750	0.437	63	21158-0186
0.781	1.654	0.312	63	21158-8038	0.812	1.828	0.375	63	21158-0187
0.781	1.750	0.375	63	21158-0167	0.812	1.850	0.375	63	21158-8042
0.781	1.750	0.375	67	21528-0167	0.812	1.875	0.375	63	21158-0189
0.781	1.750	0.375	68	21823-0167	0.812	1.984	0.375	63	21158-0191
0.781	1.828	0.375	63	21158-0169	0.812	1.984	0.437	63	21158-0192
0.781	1.828	0.437	63	21158-0170	0.844	1.375	0.312	63	21158-0193
0.781	1.850	0.375	63	21158-7198	0.844	1.378	0.312	63	21158-8346
0.781	1.850	0.375	94	27223-7198	0.844	1.500	0.312	63	21158-0195
0.781	1.851	0.312	63	21158-7846	0.844	1.575	0.312	63	21158-0197
0.781	1.875	0.375	63	21158-0171	0.844	1.625	0.312	63	21158-0199
0.781	1.875	0.437	63	21158-0172	0.844	1.654	0.312	63	21158-8044
0.781	1.984	0.375	63	21158-0173	0.844	1.750	0.375	63	21158-0201
0.785	1.750	0.625	IG	29507-5282	0.844	1.828	0.437	63	21158-0204
0.787	1.181	0.276	92	27063-0120	0.844	1.850	0.375	63	21158-8045
0.787	1.260	0.276	92	27063-0154	0.844	1.984	0.375	63	21158-0207

All dimensions are in inches. Preferred sizes are indicated with **bold** type face.

Sizes listed are for standard nitrile elements, except Models 25 and 62 which have PTFE elements. Other material available on inquiry only.

Garlock

Oil Seals by Shaft Size

SHAFT	BORE	WIDTH	MODEL NO.	PART NO.	SHAFT	BORE	WIDTH	MODEL NO.	PART NO.
0.844	2.047	0.312	63	21158-8046	0.875	1.500	0.562	63R2	23548-4700
0.844	2.062	0.375	63	21158-0211	0.875	1.500	0.625	IG	29507-4339
0.866	1.259	0.275	76	26193-9855	0.875	1.500	0.690	EQ	24807-1955
0.866	1.378	0.276	26R1	24620-0209	0.875	1.570	0.312	94	27223-7465
0.866	1.575	0.276	92	27063-0198	0.875	1.575	0.187	76	26193-8952
0.866	1.575	0.315	61	24060-1470	0.875	1.575	0.312	63	21158-0217
0.866	1.575	0.315	61	24064-1470	0.875	1.575	0.312	66	21527-0217
0.866	1.850	0.276	92	27063-0206	0.875	1.575	0.312	67	21528-0217
0.866	1.969	0.625	EQ	24802-3088	0.875	1.575	0.312	68	21823-0217
0.866	1.969	0.750	IG	29502-5794	0.875	1.575	0.375	63	21158-0218
0.875	1.125	0.125	71	26001-7041	0.875	1.624	0.250	3	28003-0715
0.875	1.187	0.156	71	26001-7042	0.875	1.625	0.312	62	21702-0219
0.875	1.250	0.187	71	26001-6133	0.875	1.625	0.312	63	21158-0219
0.875	1.250	0.187	76	26193-6133	0.875	1.625	0.312	66	21527-0219
0.875	1.250	0.625	IG	29507-4106	0.875	1.625	0.312	67	21528-0219
0.875	1.250	0.690	EQ	24807-3196	0.875	1.625	0.312	68	21823-0219
0.875	1.255	0.125	71	26001-8000	0.875	1.625	0.375	26	24600-1277
0.875	1.375	0.125	71	26001-7045	0.875	1.625	0.375	63	21158-0220
0.875	1.375	0.250	3	28003-0678	0.875	1.625	0.500	61	24062-1265
0.875	1.375	0.250	61	24060-9515	0.875	1.625	0.562	63R1	23547-6476
0.875	1.375	0.250	92	27063-9515	0.875	1.625	0.625	EQ	24802-1012
0.875	1.375	0.312	61	24060-0213	0.875	1.625	0.625	IG	29507-1012
0.875	1.375	0.312	62	21702-0213	0.875	1.625	0.625	IG	29507-4123
0.875	1.375	0.312	63	21158-0213	0.875	1.625	0.690	EQ	24807-2861
0.875	1.375	0.312	66	21527-0213	0.875	1.625	0.750	IG	29502-4123
0.875	1.375	0.312	67	21528-0213	0.875	1.654	0.312	63	21158-8048
0.875	1.375	0.312	68	21823-0213	0.875	1.750	0.312	61	24060-1268
0.875	1.375	0.312	92	27063-0213	0.875	1.750	0.375	63	21158-0221
0.875	1.375	0.375	26	24600-1275	0.875	1.750	0.375	66	21527-0221
0.875	1.375	0.375	63	21158-0214	0.875	1.750	0.375	67	21528-0221
0.875	1.375	0.406	63	21158-5502	0.875	1.750	0.375	68	21823-0221
0.875	1.375	0.406	66	21527-5502	0.875	1.750	0.437	63	21158-0222
0.875	1.375	0.437	63F1	23078-6523	0.875	1.750	0.437	63F1	23078-0222
0.875	1.375	0.562	63T2	23550-6500	0.875	1.750	0.500	EQ	24801-0756
0.875	1.375	0.625	IG	29507-2182	0.875	1.750	0.625	EQ	24801-1090
0.875	1.375	0.690	EQ	24807-2993	0.875	1.750	0.625	EQ	24802-1090
0.875	1.378	0.312	63	21158-8347	0.875	1.828	0.375	63	21158-0223
0.875	1.378	0.312	66	21527-8347	0.875	1.828	0.375	66	21527-0223
0.875	1.437	0.250	71	26001-7046	0.875	1.828	0.375	67	21528-0223
0.875	1.499	0.250	3	28003-0687	0.875	1.828	0.375	68	21823-0223
0.875	1.500	0.250	92	27063-9489	0.875	1.828	0.437	62	21702-0224
0.875	1.500	0.312	61	24060-0215	0.875	1.828	0.437	63	21158-0224
0.875	1.500	0.312	62	21702-0215	0.875	1.828	0.438	26	24600-1276
0.875	1.500	0.312	63	21158-0215	0.875	1.828	0.687	63R2	23548-5401
0.875	1.500	0.312	66	21527-0215	0.875	1.851	0.375	63	21158-4748
0.875	1.500	0.312	67	21528-0215	0.875	1.875	0.312	26	24600-4657
0.875	1.500	0.312	68	21823-0215	0.875	1.875	0.312	61	24060-1271
0.875	1.500	0.312	94	27223-0215	0.875	1.875	0.375	63	21158-0225
0.875	1.500	0.375	26	24600-0784	0.875	1.875	0.375	66	21527-0225
0.875	1.500	0.375	62	21702-0216	0.875	1.875	0.375	67	21528-0225
0.875	1.500	0.375	63	21158-0216	0.875	1.875	0.375	68	21823-0225
0.875	1.500	0.562	63R1	23547-4700	0.875	1.875	0.437	62	21702-0226

All dimensions are in inches. Preferred sizes are indicated with **bold** type face. Sizes listed are for standard nitrile elements, except Models 25 and 62 which have PTFE elements. Other material available on inquiry only.

Oil Seals by Shaft Size

Garlock

SHAFT	BORE	WIDTH	MODEL NO.	PART NO.	SHAFT	BORE	WIDTH	MODEL NO.	PART NO.
0.875	1.875	0.437	63	21158-0226	0.937	1.625	0.312	62	21702-0255
0.875	1.875	0.500	EQ	24801-0625	0.937	1.625	0.312	63	21158-0255
0.875	1.875	0.625	EQ	24802-2711	0.937	1.625	0.375	63	21158-0256
0.875	1.875	0.625	IG	29507-2711	0.937	1.625	0.437	63	21158-0264
0.875	1.875	0.750	IG	29502-4267	0.937	1.625	0.562	63R2	23548-4721
0.875	1.937	0.625	EQ	24801-1403	0.937	1.654	0.312	63	21158-8054
0.875	1.937	0.625	EQ	24802-1403	0.937	1.687	0.625	EQ	24802-1115
0.875	1.984	0.375	63	21158-0227	0.937	1.750	0.375	63	21158-0257
0.875	1.984	0.375	66	21527-0227	0.937	1.750	0.437	63	21158-0258
0.875	1.984	0.437	63	21158-0228	0.937	1.750	0.687	63R2	23548-9624
0.875	2.000	0.375	63	21158-0229	0.937	1.828	0.375	63	21158-0259
0.875	2.000	0.375	66	21527-0229	0.937	1.828	0.437	63	21158-0260
0.875	2.000	0.375	67	21528-0229	0.937	1.837	0.625	EQ	24801-3632
0.875	2.000	0.375	68	21823-0229	0.937	1.850	0.375	63	21158-8055
0.875	2.000	0.500	EQ	24801-0850	0.937	1.875	0.375	63	21158-0261
0.875	2.000	0.625	EQ	24801-1765	0.937	1.875	0.375	76	26193-0261
0.875	2.000	0.625	EQ	24802-1765	0.937	1.875	0.625	63R2	23548-5653
0.875	2.047	0.375	63	21158-4849	0.937	1.984	0.375	63	21158-0263
0.875	2.062	0.375	63	21158-0231	0.937	2.000	0.375	63	21158-0265
0.875	2.062	0.375	66	21527-0231	0.937	2.000	0.437	63	21158-0266
0.875	2.062	0.375	67	21528-0231	0.937	2.047	0.375	63	21158-5046
0.875	2.062	0.375	68	21823-0231	0.937	2.048	0.312	94	27223-6537
0.875	2.750	0.750	IG	29502-4731	0.937	2.062	0.375	63	21158-0267
0.906	1.500	0.312	62	21702-0233	0.937	2.062	0.437	63	21158-0268
0.906	1.500	0.312	63	21158-0233	0.938	1.500	0.312	66	21527-0251
0.906	1.500	0.375	63	21158-0234	0.938	1.500	0.375	26	24600-0785
0.906	1.500	0.625	IG	29507-5435	0.938	1.938	0.625	IG	29507-2714
0.906	1.575	0.312	62	21702-0235	0.938	1.938	0.750	IG	29502-4270
0.906	1.575	0.312	63	21158-0235	0.938	2.048	0.625	IG	29507-4533
0.906	1.575	0.375	63	21158-0236	0.945	1.378	0.276	92	27063-0209
0.906	1.625	0.312	63	21158-0237	0.945	1.575	0.276	92	27063-0210
0.906	1.625	0.437	63	21158-5434	0.945	1.732	0.625	EQ	24801-3263
0.906	1.654	0.312	63	21158-8050	0.945	1.732	0.625	EQ	24802-3263
0.906	1.750	0.375	63	21158-0239	0.945	1.929	0.472	26R1	24620-3712
0.906	1.850	0.375	63	21158-8051	0.969	1.499	0.690	EQ	24807-1363
0.906	1.875	0.375	63	21158-0243	0.969	1.500	0.312	63	21158-0269
0.906	1.984	0.375	63	21158-0245	0.969	1.500	0.312	67	21528-0269
0.906	2.000	0.375	63	21158-0247	0.969	1.500	0.312	68	21823-0269
0.906	2.047	0.375	63	21158-8052	0.969	1.500	0.375	62	21702-0270
0.937	1.187	0.125	71	26001-7047	0.969	1.500	0.375	63	21158-0270
0.937	1.375	0.312	62	21702-6233	0.969	1.575	0.312	63	21158-0271
0.937	1.375	0.312	76	26193-6233	0.969	1.625	0.312	62	21702-0273
0.937	1.500	0.312	62	21702-0251	0.969	1.625	0.312	63	21158-0273
0.937	1.500	0.312	63	21158-0251	0.969	1.625	0.312	67	21528-0273
0.937	1.500	0.375	63	21158-0252	0.969	1.625	0.312	68	21823-0273
0.937	1.500	0.562	63R1	23547-4819	0.969	1.625	0.375	63	21158-0274
0.937	1.500	0.562	63T2	23550-4819	0.969	1.654	0.312	63	21158-8056
0.937	1.500	0.562	66T2	23728-4819	0.969	1.686	0.312	63	21158-0282
0.937	1.500	0.625	IG	29507-4122	0.969	1.750	0.312	92	27063-9009
0.937	1.500	0.690	EQ	24807-2563	0.969	1.750	0.375	63	21158-0275
0.937	1.575	0.312	62	21702-0253	0.969	1.750	0.375	67	21528-0275
0.937	1.575	0.312	63	21158-0253	0.969	1.750	0.375	68	21823-0275

All dimensions are in inches. Preferred sizes are indicated with **bold** type face.

Sizes listed are for standard nitrile elements, except Models 25 and 62 which have PTFE elements. Other material available on inquiry only.

Garlock

Oil Seals by Shaft Size

SHAFT	BORE	WIDTH	MODEL NO.	PART NO.	SHAFT	BORE	WIDTH	MODEL NO.	PART NO.
0.969	1.750	0.437	63	21158-0276	1.000	1.437	0.250	76	26193-7510
0.969	1.828	0.375	63	21158-0277	1.000	1.499	0.250	3	28003-1004
0.969	1.828	0.437	63	21158-0278	1.000	1.500	0.125	71	26001-7052
0.969	1.850	0.375	63	21158-4802	1.000	1.500	0.188	71	26001-8873
0.969	1.875	0.375	63	21158-0279	1.000	1.500	0.250	61	24063-5306
0.969	1.984	0.375	63	21158-0281	1.000	1.500	0.250	92	27063-5306
0.969	2.000	0.375	26	24600-1282	1.000	1.500	0.281	25	25058-7293
0.969	2.000	0.375	62	21702-0283	1.000	1.500	0.312	61	24060-0287
0.969	2.000	0.375	63	21158-0283	1.000	1.500	0.312	62	21702-0287
0.969	2.048	0.375	63	21158-5937	1.000	1.500	0.312	63	21158-0287
0.969	2.048	0.375	94	27223-5937	1.000	1.500	0.312	67	21528-0287
0.969	2.062	0.375	62	21702-0285	1.000	1.500	0.312	68	21823-0287
0.969	2.062	0.375	63	21158-0285	1.000	1.500	0.312	94	27223-0287
0.969	2.062	0.437	63	21158-0286	1.000	1.500	0.313	26	24600-0287
0.969	2.062	0.687	63R2	23548-7100	1.000	1.500	0.375	61	24060-0288
0.969	2.441	0.375	94	27223-7779	1.000	1.500	0.375	61	24062-0288
0.983	1.983	0.625	IG	29507-5171	1.000	1.500	0.375	62	21702-0288
0.983	1.983	0.750	IG	29502-5049	1.000	1.500	0.375	63	21158-0288
0.984	1.375	0.187	92	27063-8978	1.000	1.500	0.437	63F1	23078-6755
0.984	1.378	0.276	92	27063-0212	1.000	1.500	0.562	63R2	23548-6694
0.984	1.378	0.315	61	24060-1478	1.000	1.500	0.562	63T2	23550-6694
0.984	1.457	0.276	92	27063-0230	1.000	1.500	0.625	IG	29507-2684
0.984	1.486	0.625	IG	29507-5205	1.000	1.500	0.690	EQ	24807-2688
0.984	1.496	0.276	26R1	24620-0280	1.000	1.501	0.312	94	27223-5314
0.984	1.496	0.690	EQ	24807-5752	1.000	1.562	0.187	71	26001-6156
0.984	1.500	0.375	61	24060-2241	1.000	1.562	0.187	76	26193-6156
0.984	1.653	0.315	61	24060-1761	1.000	1.575	0.312	63	21158-0289
0.984	1.654	0.276	92	27063-0232	1.000	1.575	0.375	61	24060-0290
0.984	1.654	0.276	94	27223-2545	1.000	1.575	0.375	63	21158-0290
0.984	1.750	0.690	EQ	24807-5379	1.000	1.624	0.250	3	28003-1020
0.984	1.772	0.625	IG	29519-5736	1.000	1.625	0.250	61	24060-9490
0.984	1.850	0.276	92	27063-0250	1.000	1.625	0.250	76	26193-9490
0.984	1.850	0.375	61	24060-6859	1.000	1.625	0.312	61	24060-0291
0.984	1.850	0.375	63	21158-6859	1.000	1.625	0.312	62	21702-0291
0.984	1.850	0.625	EQ	24801-4563	1.000	1.625	0.312	63	21158-0291
0.984	1.850	0.625	EQ	24802-4563	1.000	1.625	0.312	67	21528-0291
0.984	1.850	0.625	IG	29507-4563	1.000	1.625	0.312	68	21823-0291
0.984	1.890	0.750	IG	29502-5534	1.000	1.625	0.375	61	24060-0292
0.984	1.929	0.625	IG	29507-5586	1.000	1.625	0.375	61	24061-0292
0.984	1.968	0.709	EQ	24801-1978	1.000	1.625	0.375	61	24062-0292
0.984	1.969	0.625	EQ	24801-5593	1.000	1.625	0.375	61	24064-0292
0.984	1.969	0.625	EQ	24802-5593	1.000	1.625	0.375	63	21158-0292
0.984	2.047	0.276	92	27063-0254	1.000	1.625	0.437	63F1	23078-6524
0.984	2.047	0.500	EQ	24801-0773	1.000	1.625	0.562	63R1	23547-6477
0.984	2.048	0.375	62	21702-4687	1.000	1.625	0.562	63R2	23548-6477
0.984	2.048	0.375	63	21158-4687	1.000	1.625	0.562	63T2	23550-6477
0.984	2.062	0.375	92	27063-9517	1.000	1.654	0.312	63	21158-8057
1.000	1.250	0.109	71	26001-6148	1.000	1.686	0.312	63	21158-0310
1.000	1.250	0.125	71	26001-7049	1.000	1.687	0.625	IG	29507-5412
1.000	1.312	0.125	71	26001-6151	1.000	1.750	0.250	61	24061-7055
1.000	1.375	0.187	76	26193-9518	1.000	1.750	0.250	71	26001-7055
1.000	1.375	0.187	92	27063-9518	1.000	1.750	0.312	62	21702-9808

All dimensions are in inches. Preferred sizes are indicated with **bold** type face. Sizes listed are for standard nitrile elements, except Models 25 and 62 which have PTFE elements. Other material available on inquiry only.

Oil Seals by Shaft Size

Garlock

SHAFT	BORE	WIDTH	MODEL NO.	PART NO.	SHAFT	BORE	WIDTH	MODEL NO.	PART NO.
1.000	1.750	0.375	26	24600-1283	1.000	2.000	0.625	EQ	24802-1083
1.000	1.750	0.375	61	24060-0293	1.000	2.000	0.625	IG	29519-1083
1.000	1.750	0.375	61	24061-0293	1.000	2.000	0.687	63F1	23078-7186
1.000	1.750	0.375	62	21702-0293	1.000	2.000	0.687	63T2	23550-7186
1.000	1.750	0.375	63	21158-0293	1.000	2.000	0.750	IG	29502-4138
1.000	1.750	0.375	67	21528-0293	1.000	2.047	0.312	61	24060-2503
1.000	1.750	0.375	68	21823-0293	1.000	2.047	0.375	63	21158-6654
1.000	1.750	0.437	63	21158-0294	1.000	2.062	0.375	26	24600-0303
1.000	1.750	0.500	63	21158-6470	1.000	2.062	0.375	63	21158-0303
1.000	1.750	0.500	63F1	23078-6470	1.000	2.062	0.375	67	21528-0303
1.000	1.750	0.625	63R1	23547-9417	1.000	2.062	0.375	68	21823-0303
1.000	1.750	0.625	EQ	24801-3398	1.000	2.062	0.437	63	21158-0304
1.000	1.750	0.625	EQ	24802-3398	1.000	2.125	0.375	61	24060-1274
1.000	1.750	0.625	IG	29507-3398	1.000	2.125	0.500	EQ	24801-0857
1.000	1.750	0.687	63R1	23547-7215	1.000	2.125	0.625	EQ	24801-1357
1.000	1.750	0.687	63R2	23548-7215	1.000	2.125	0.625	EQ	24802-1357
1.000	1.750	0.690	EQ	24807-2695	1.000	2.441	0.625	EQ	24802-2160
1.000	1.750	0.750	IG	29502-4182	1.000	2.441	0.750	IG	29500-4820
1.000	1.752	0.250	3	28003-1028	1.024	1.654	0.276	92	27063-0262
1.000	1.828	0.375	63	21158-0295	1.024	1.850	0.276	92	27063-0272
1.000	1.828	0.375	67	21528-0295	1.031	1.575	0.312	63	21158-0305
1.000	1.828	0.375	68	21823-0295	1.031	1.575	0.375	63	21158-0306
1.000	1.828	0.437	63	21158-0296	1.031	1.625	0.312	62	21702-0307
1.000	1.828	0.687	63R2	23548-6580	1.031	1.625	0.312	63	21158-0307
1.000	1.851	0.250	94	27223-9967	1.031	1.625	0.375	63	21158-0308
1.000	1.851	0.375	63	21158-6906	1.031	1.654	0.312	63	21158-8059
1.000	1.875	0.312	63	21158-9345	1.031	1.750	0.375	63	21158-0309
1.000	1.875	0.375	61	24060-0297	1.031	1.850	0.375	63	21158-8060
1.000	1.875	0.375	62	21702-0297	1.031	1.875	0.375	63	21158-0313
1.000	1.875	0.375	63	21158-0297	1.031	1.984	0.375	63	21158-0315
1.000	1.875	0.375	67	21528-0297	1.031	2.000	0.375	63	21158-0317
1.000	1.875	0.375	68	21823-0297	1.031	2.047	0.375	63	21158-8061
1.000	1.875	0.437	63	21158-0298	1.031	2.062	0.375	63	21158-0319
1.000	1.875	0.500	EQ	24801-1009	1.060	1.625	0.625	IG	29507-4333
1.000	1.875	0.625	EQ	24801-1754	1.062	1.499	0.312	63	21158-0314
1.000	1.875	0.625	EQ	24802-1754	1.062	1.500	0.625	IG	29507-5685
1.000	1.875	0.687	63R2	23548-4887	1.062	1.500	0.690	EQ	24807-5796
1.000	1.983	0.500	63	21158-5295	1.062	1.562	0.125	71	26001-7056
1.000	1.984	0.375	63	21158-0299	1.062	1.575	0.312	63	21158-0321
1.000	1.984	0.437	63	21158-0300	1.062	1.575	0.312	66	21527-0321
1.000	1.984	0.437	67	21528-0300	1.062	1.575	0.375	63	21158-0322
1.000	2.000	0.250	92	27063-6100	1.062	1.624	0.625	IG	29507-4121
1.000	2.000	0.312	61	24060-1272	1.062	1.625	0.312	62	21702-0323
1.000	2.000	0.375	62	21702-0301	1.062	1.625	0.312	63	21158-0323
1.000	2.000	0.375	63	21158-0301	1.062	1.625	0.312	66	21527-0323
1.000	2.000	0.375	67	21528-0301	1.062	1.625	0.375	26	24600-1285
1.000	2.000	0.375	68	21823-0301	1.062	1.625	0.375	63	21158-0324
1.000	2.000	0.437	62	21702-0302	1.062	1.654	0.312	63	21158-8062
1.000	2.000	0.437	63	21158-0302	1.062	1.656	0.690	EQ	24807-2329
1.000	2.000	0.500	EQ	24801-0627	1.062	1.686	0.312	63	21158-0311
1.000	2.000	0.625	63F1	23078-5703	1.062	1.750	0.375	62	21702-0325
1.000	2.000	0.625	EQ	24801-1083	1.062	1.750	0.375	63	21158-0325

All dimensions are in inches. Preferred sizes are indicated with **bold** type face.

Sizes listed are for standard nitrile elements, except Models 25 and 62 which have PTFE elements. Other material available on inquiry only.

Garlock

Oil Seals by Shaft Size

SHAFT	BORE	WIDTH	MODEL NO.	PART NO.	SHAFT	BORE	WIDTH	MODEL NO.	PART NO.
1.062	1.750	0.375	66	21527-0325	1.102	1.850	0.394	61	24064-5562
1.062	1.750	0.437	63	21158-0326	1.103	1.850	0.690	EQ	24807-2842
1.062	1.812	0.625	EQ	24802-1110	1.108	1.850	0.375	63	21158-5562
1.062	1.828	0.375	63	21158-0327	1.114	1.375	0.125	71	26001-9643
1.062	1.828	0.375	66	21527-0327	1.125	1.375	0.109	71	26001-6162
1.062	1.828	0.437	63	21158-0328	1.125	1.375	0.125	71	26001-7057
1.062	1.828	0.453	63F1	23078-5791	1.125	1.437	0.266	92	27063-6167
1.062	1.850	0.375	63	21158-8063	1.125	1.500	0.187	76	26193-7512
1.062	1.875	0.375	63	21158-0329	1.125	1.500	0.625	IG	29507-5207
1.062	1.875	0.375	66	21527-0329	1.125	1.562	0.625	IG	29507-4334
1.062	1.875	0.437	63	21158-0330	1.125	1.562	0.690	EQ	24807-2852
1.062	1.979	0.375	63	21158-8644	1.125	1.624	0.250	3	28003-1113
1.062	1.984	0.375	63	21158-0331	1.125	1.624	0.690	EQ	24807-1352
1.062	1.984	0.375	66	21527-0331	1.125	1.625	0.250	71	26001-6169
1.062	1.984	0.500	63	21158-3871	1.125	1.625	0.250	92	27063-6169
1.062	2.000	0.375	63	21158-0333	1.125	1.625	0.312	62	21702-0351
1.062	2.000	0.375	66	21527-0333	1.125	1.625	0.312	63	21158-0351
1.062	2.000	0.437	63	21158-0334	1.125	1.625	0.312	66	21527-0351
1.062	2.047	0.375	63	21158-8064	1.125	1.625	0.312	67	21528-0351
1.062	2.062	0.375	63	21158-0335	1.125	1.625	0.312	68	21823-0351
1.062	2.062	0.375	66	21527-0335	1.125	1.625	0.313	26	24600-0351
1.062	2.062	0.437	63	21158-0336	1.125	1.625	0.375	61	24060-0352
1.062	2.062	0.437	66	21527-0336	1.125	1.625	0.375	63	21158-0352
1.063	1.624	0.690	EQ	24807-3907	1.125	1.625	0.375	66	21527-0352
1.063	1.625	0.250	61	24060-1281	1.125	1.625	0.437	61	24062-1307
1.063	1.643	0.625	IG	29507-4206	1.125	1.625	0.562	63R2	23548-6452
1.063	1.750	0.375	61	24060-0325	1.125	1.625	0.562	63T2	23550-6452
1.063	1.875	0.625	IG	29507-4711	1.125	1.625	0.625	IG	29507-2273
1.063	1.938	0.625	EQ	24801-3796	1.125	1.625	0.690	EQ	24807-2829
1.063	2.063	0.750	IG	29502-4271	1.125	1.654	0.312	63	21158-8066
1.087	1.686	0.250	76	26193-6642	1.125	1.654	0.312	66	21527-8066
1.093	1.625	0.312	63	21158-0337	1.125	1.750	0.375	25	25058-0353
1.093	1.625	0.312	66	21527-0337	1.125	1.750	0.375	26	24600-0353
1.093	1.625	0.375	62	21702-0338	1.125	1.750	0.375	61	24060-0353
1.093	1.654	0.312	63	21158-7599	1.125	1.750	0.375	62	21702-0353
1.093	1.750	0.375	63	21158-0339	1.125	1.750	0.375	63	21158-0353
1.093	1.750	0.375	66	21527-0339	1.125	1.750	0.375	66	21527-0353
1.093	1.828	0.375	63	21158-0341	1.125	1.750	0.375	67	21528-0353
1.093	1.828	0.375	66	21527-0341	1.125	1.750	0.375	68	21823-0353
1.093	1.850	0.375	63	21158-7173	1.125	1.750	0.437	63	21158-0354
1.093	1.875	0.437	63	21158-0344	1.125	1.750	0.562	63R1	23547-7208
1.093	1.984	0.437	63	21158-0346	1.125	1.750	0.625	IG	29507-4184
1.093	2.000	0.375	63	21158-0347	1.125	1.750	0.687	63R1	23547-6857
1.093	2.000	0.375	66	21527-0347	1.125	1.750	0.687	63T2	23550-6857
1.093	2.047	0.375	63	21158-8065	1.125	1.750	0.690	EQ	24807-2994
1.093	2.062	0.375	63	21158-0349	1.125	1.781	0.437	63	21158-9564
1.093	2.062	0.375	66	21527-0349	1.125	1.801	0.690	EQ	24807-3877
1.100	2.625	0.750	IG	29500-4502	1.125	1.828	0.375	26	24600-1288
1.102	1.496	0.276	92	27063-0280	1.125	1.828	0.375	62	21702-0355
1.102	1.575	0.276	92	27063-0284	1.125	1.828	0.375	63	21158-0355
1.102	1.575	0.394	61	24060-2715	1.125	1.828	0.375	66	21527-0355
1.102	1.850	0.394	61	24060-5562	1.125	1.828	0.375	67	21528-0355

All dimensions are in inches. Preferred sizes are indicated with **bold** type face.

Sizes listed are for standard nitrile elements, except Models 25 and 62 which have PTFE elements. Other material available on inquiry only.

Oil Seals by Shaft Size

Garlock

SHAFT	BORE	WIDTH	MODEL NO.	PART NO.	SHAFT	BORE	WIDTH	MODEL NO.	PART NO.
1.125	1.828	0.375	68	21823-0355	1.125	2.062	0.375	66	21527-0361
1.125	1.828	0.437	63	21158-0356	1.125	2.062	0.375	67	21528-0361
1.125	1.850	0.312	63	21158-7650	1.125	2.062	0.375	68	21823-0361
1.125	1.850	0.375	63	21158-4813	1.125	2.062	0.437	62	21702-0362
1.125	1.851	0.437	63	21158-5891	1.125	2.062	0.437	63	21158-0362
1.125	1.855	0.625	IG	29507-4840	1.125	2.062	0.625	EQ	24801-1920
1.125	1.874	0.250	3	28003-1128	1.125	2.062	0.750	IG	29502-5470
1.125	1.875	0.375	26	24600-1394	1.125	2.125	0.375	66	21527-7242
1.125	1.875	0.375	61	24060-0357	1.125	2.125	0.625	EQ	24801-0832
1.125	1.875	0.375	61	24061-0357	1.125	2.125	0.625	EQ	24802-0832
1.125	1.875	0.375	61	24062-0357	1.125	2.125	0.750	IG	29502-4139
1.125	1.875	0.375	62	21702-0357	1.125	2.188	0.625	EQ	24802-4415
1.125	1.875	0.375	63	21158-0357	1.125	2.250	0.375	61	24060-7246
1.125	1.875	0.375	66	21527-0357	1.125	2.250	0.375	66	21527-7246
1.125	1.875	0.375	67	21528-0357	1.125	2.250	0.625	EQ	24801-0815
1.125	1.875	0.375	68	21823-0357	1.125	2.250	0.625	EQ	24802-0815
1.125	1.875	0.437	63	21158-0358	1.125	2.250	0.625	IG	29502-0815
1.125	1.875	0.625	IG	29507-5394	1.125	2.375	0.750	IG	29502-5039
1.125	1.875	0.687	63T2	23550-6688	1.125	2.437	0.625	EQ	24802-5573
1.125	1.875	0.690	EQ	24807-2968	1.125	2.441	0.281	94	27223-9274
1.125	1.875	0.750	IG	29502-4322	1.125	2.441	0.375	94	27223-6176
1.125	1.876	0.625	EQ	24802-1152	1.125	2.441	0.625	EQ	24802-2859
1.125	1.876	0.625	IG	29507-1152	1.125	2.441	0.750	IG	29500-4181
1.125	1.984	0.375	63	21158-3872	1.125	2.441	0.750	IG	29502-4181
1.125	1.984	0.375	66	21527-3872	1.125	2.750	0.375	26	24600-3885
1.125	1.984	0.437	63	21158-3873	1.125	2.835	0.375	76	26193-4701
1.125	1.984	0.438	26	24600-1289	1.125	2.844	0.500	26	24600-1290
1.125	1.984	0.500	63	21158-3874	1.125	3.150	0.625	EQ	24802-1091
1.125	2.000	0.375	61	24060-0359	1.125	3.192	0.500	26	24600-0817
1.125	2.000	0.375	62	21702-0359	1.127	2.000	0.750	IG	29502-4402
1.125	2.000	0.375	63	21158-0359	1.142	1.575	0.250	61	24060-2218
1.125	2.000	0.375	66	21527-0359	1.145	2.000	0.750	IG	29502-5517
1.125	2.000	0.375	67	21528-0359	1.156	1.575	0.312	76	26193-9038
1.125	2.000	0.375	68	21823-0359	1.156	1.828	0.437	63	21158-5491
1.125	2.000	0.375	94	27223-0359	1.156	1.875	0.375	63	21158-0363
1.125	2.000	0.437	63	21158-0360	1.156	1.875	0.375	67	21528-0363
1.125	2.000	0.437	67	21528-0360	1.156	1.875	0.375	68	21823-0363
1.125	2.000	0.437	68	21823-0360	1.156	1.875	0.625	IG	29507-5112
1.125	2.000	0.625	EQ	24801-0988	1.156	1.875	0.690	EQ	24807-1025
1.125	2.000	0.625	IG	29507-0988	1.156	1.984	0.375	63	21158-0365
1.125	2.000	0.625	IG	29519-0988	1.156	2.000	0.375	63	21158-0367
1.125	2.000	0.687	63T2	23550-6466	1.156	2.000	0.625	IG	29507-5812
1.125	2.000	0.750	IG	29502-4108	1.156	2.000	0.690	IG	24807-5797
1.125	2.001	0.375	26	24600-0842	1.156	2.047	0.375	63	21158-7914
1.125	2.001	0.500	EQ	24801-0765	1.156	2.062	0.375	63	21158-0369
1.125	2.001	0.500	EQ	24802-0765	1.156	2.062	0.437	63	21158-0370
1.125	2.001	0.625	EQ	24802-0988	1.156	2.106	0.437	63	21158-0372
1.125	2.043	0.625	EQ	24802-5371	1.156	2.125	0.375	63	21158-0374
1.125	2.047	0.375	63	21158-8067	1.156	2.250	0.375	63	21158-0377
1.125	2.050	0.750	IG	29502-5071	1.156	2.250	0.687	63R1	23547-8514
1.125	2.062	0.375	26	24600-0814	1.156	2.375	0.375	63	21158-0380
1.125	2.062	0.375	63	21158-0361	1.156	2.441	0.375	63	21158-3875

All dimensions are in inches. Preferred sizes are indicated with **bold** type face.

Sizes listed are for standard nitrile elements, except Models 25 and 62 which have PTFE elements. Other material available on inquiry only.

Garlock

Oil Seals by Shaft Size

SHAFT	BORE	WIDTH	MODEL NO.	PART NO.	SHAFT	BORE	WIDTH	MODEL NO.	PART NO.
1.156	2.835	0.375	94	27223-6738	1.187	1.875	0.375	63	21158-0383
1.161	2.000	0.625	EQ	24802-3772	1.187	1.875	0.375	66	21527-0383
1.168	2.437	0.750	IG	29502-5511	1.187	1.875	0.437	63	21158-0384
1.171	2.250	0.750	IG	29502-5526	1.187	1.875	0.594	63F1	23078-7341
1.173	2.441	0.750	IG	29502-4720	1.187	1.875	0.687	63R1	23547-8187
1.177	2.500	0.625	EQ	24802-4342	1.187	1.875	0.687	63R2	23548-8187
1.180	2.000	0.750	IG	29502-5149	1.187	1.875	0.687	63T2	23550-8187
1.180	2.180	0.750	IG	29502-5166	1.187	1.984	0.375	62	21702-0385
1.180	2.835	0.750	IG	29502-4422	1.187	1.984	0.375	63	21158-0385
1.181	1.575	0.276	61	24060-0312	1.187	1.984	0.375	66	21527-0385
1.181	1.575	0.276	92	27063-0312	1.187	1.984	0.437	63	21158-0386
1.181	1.625	0.690	EQ	24807-2806	1.187	1.984	0.500	63	21158-5656
1.181	1.654	0.276	92	27063-0316	1.187	2.000	0.375	62	21702-0387
1.181	1.654	0.315	61	24060-1763	1.187	2.000	0.375	63	21158-0387
1.181	1.654	0.315	61	24061-1763	1.187	2.000	0.375	66	21527-0387
1.181	1.654	0.625	IG	29507-4920	1.187	2.000	0.437	62	21702-0388
1.181	1.683	0.250	76	26193-8461	1.187	2.000	0.437	63	21158-0388
1.181	1.683	0.250	92	27063-8461	1.187	2.000	0.594	63F1	23078-6993
1.181	1.772	0.315	92	27063-0318	1.187	2.048	0.375	62	21702-3877
1.181	1.772	0.625	IG	29507-5204	1.187	2.048	0.375	63	21158-3877
1.181	1.850	0.276	61	24060-0320	1.187	2.048	0.375	66	21527-3877
1.181	1.850	0.276	92	27063-0320	1.187	2.062	0.375	63	21158-0389
1.181	1.850	0.375	61	24060-9342	1.187	2.062	0.375	66	21527-0389
1.181	1.850	0.375	63	21158-9342	1.187	2.062	0.437	62	21702-0390
1.181	1.850	0.690	EQ	24807-3638	1.187	2.062	0.437	63	21158-0390
1.181	1.890	0.315	92	27063-0332	1.187	2.062	0.687	63R1	23547-9585
1.181	1.968	0.276	26	24600-0378	1.187	2.125	0.375	63	21158-0394
1.181	1.968	0.434	26R1	24620-0379	1.187	2.125	0.375	66	21527-0394
1.181	2.030	0.625	EQ	24801-5446	1.187	2.125	0.437	63	21158-0395
1.181	2.047	0.276	92	27063-0340	1.187	2.250	0.375	63	21158-0397
1.181	2.047	0.394	61	24060-2803	1.187	2.250	0.375	66	21527-0397
1.181	2.181	0.625	EQ	24802-3388	1.187	2.250	0.437	63	21158-0398
1.181	2.181	0.625	IG	29507-3388	1.187	2.250	0.500	26	24600-1431
1.181	2.211	0.625	EQ	24802-1499	1.187	2.250	0.500	63	21158-0399
1.181	2.350	0.625	EQ	24802-2476	1.187	2.375	0.375	63	21158-0400
1.181	2.358	0.625	EQ	24802-1199	1.187	2.375	0.437	63	21158-0401
1.181	2.362	0.500	EQ	24801-1122	1.187	2.375	0.500	63	21158-0402
1.181	2.362	0.750	IG	29502-4684	1.187	2.375	0.687	63R2	23548-7333
1.181	2.441	0.276	92	27063-0342	1.187	2.437	0.625	EQ	24802-5434
1.181	2.441	0.750	IG	29502-5584	1.187	2.437	0.625	EQ	24802-5434
1.181	2.500	0.375	26	24600-0393	1.187	2.437	0.750	IG	29502-5007
1.181	2.835	0.315	92	27063-0348	1.187	2.441	0.250	71	26001-7060
1.181	2.875	0.500	EQ	24801-1084	1.187	2.441	0.375	26R1	24620-4620
1.185	2.442	0.625	EQ	24802-2857	1.187	2.441	0.375	63	21158-4600
1.185	2.442	0.750	IG	29502-4336	1.187	2.441	0.375	94	27223-4600
1.187	1.437	0.125	71	26001-7061	1.187	2.441	0.625	EQ	24802-1850
1.187	1.625	0.250	91	27023-6279	1.187	2.500	0.500	63	21158-6011
1.187	1.828	0.375	63	21158-3876	1.187	2.835	0.375	26R1	24620-4549
1.187	1.828	0.375	66	21527-3876	1.187	2.835	0.375	63	21158-4597
1.187	1.828	0.687	63T2	23550-9748	1.187	2.835	0.375	94	27223-4597
1.187	1.850	0.375	63	21158-6659	1.188	1.750	0.312	61	24060-1319
1.187	1.875	0.375	62	21702-0383	1.188	1.750	0.375	61	24060-2334

All dimensions are in inches. Preferred sizes are indicated with **bold** type face. Sizes listed are for standard nitrile elements, except Models 25 and 62 which have PTFE elements. Other material available on inquiry only.

Oil Seals by Shaft Size

Garlock

SHAFT	BORE	WIDTH	MODEL NO.	PART NO.	SHAFT	BORE	WIDTH	MODEL NO.	PART NO.
1.188	1.875	0.312	61	24060-1325	1.250	2.000	0.250	3	28003-1246
1.188	1.875	0.375	26	24600-0383	1.250	2.000	0.250	76	26193-7518
1.188	1.875	0.375	61	24061-0383	1.250	2.000	0.250	92	27063-7518
1.188	2.000	0.375	61	24060-0387	1.250	2.000	0.375	25	25058-0427
1.188	2.000	0.750	IG	29500-4559	1.250	2.000	0.375	26	24600-2128
1.188	2.000	0.750	IG	29502-4559	1.250	2.000	0.375	61	24060-0427
1.188	2.188	0.750	IG	29502-4272	1.250	2.000	0.375	61	24064-0427
1.188	2.250	0.750	IG	29500-4538	1.250	2.000	0.375	62	21702-0427
1.188	2.358	0.625	EQ	24802-4653	1.250	2.000	0.375	63	21158-0427
1.200	2.000	0.750	IG	29502-5148	1.250	2.000	0.375	66	21527-0427
1.203	2.048	0.187	76	26193-7513	1.250	2.000	0.375	67	21528-0427
1.219	1.984	0.375	63	21158-0403	1.250	2.000	0.437	63	21158-0428
1.219	2.000	0.375	63	21158-0405	1.250	2.000	0.500	EQ	24801-0798
1.219	2.047	0.375	63	21158-8068	1.250	2.000	0.594	63F1	23078-7390
1.219	2.048	0.187	76	26193-7514	1.250	2.000	0.625	EQ	24801-1215
1.219	2.125	0.437	63	21158-0413	1.250	2.000	0.625	EQ	24802-1215
1.219	2.250	0.375	63	21158-0415	1.250	2.000	0.625	IG	29507-1215
1.219	2.437	0.375	63	21158-0421	1.250	2.000	0.687	63R1	23547-6745
1.235	2.000	0.625	EQ	24801-2698	1.250	2.000	0.687	63R2	23548-6745
1.235	2.000	0.625	EQ	24802-2698	1.250	2.000	0.687	63T2	23550-6745
1.241	2.253	0.750	IG	29502-5689	1.250	2.000	0.750	IG	29502-4185
1.250	1.500	0.125	71	26001-7062	1.250	2.047	0.375	63	21158-7852
1.250	1.625	0.187	71	26001-6183	1.250	2.047	0.375	66	21527-7852
1.250	1.625	0.187	76	26193-6183	1.250	2.062	0.375	62	21702-0430
1.250	1.625	0.250	92	27063-9524	1.250	2.062	0.375	63	21158-0430
1.250	1.687	0.187	76	26193-7516	1.250	2.062	0.375	66	21527-0430
1.250	1.687	0.625	IG	29507-3534	1.250	2.062	0.437	63	21158-0431
1.250	1.687	0.690	EQ	24807-3622	1.250	2.062	0.687	63T2	23550-6624
1.250	1.750	0.250	26	24600-5239	1.250	2.063	0.312	61	24060-1338
1.250	1.750	0.250	61	24060-5239	1.250	2.106	0.375	63	21158-0433
1.250	1.750	0.250	71	26001-5239	1.250	2.125	0.250	3	28003-1262
1.250	1.750	0.266	76	26193-6186	1.250	2.125	0.312	61	24060-1343
1.250	1.750	0.375	61	24060-8887	1.250	2.125	0.375	26	24600-1295
1.250	1.750	0.375	61	24062-8887	1.250	2.125	0.375	61	24060-0436
1.250	1.750	0.625	IG	29507-4340	1.250	2.125	0.375	63	21158-0436
1.250	1.750	0.690	EQ	24807-1782	1.250	2.125	0.375	66	21527-0436
1.250	1.752	0.250	3	28003-1224	1.250	2.125	0.437	63	21158-0437
1.250	1.874	0.250	3	28003-1232	1.250	2.125	0.500	63	21158-0438
1.250	1.875	0.312	61	24060-1337	1.250	2.125	0.500	EQ	24801-1048
1.250	1.875	0.375	61	24060-5704	1.250	2.125	0.625	EQ	24801-1932
1.250	1.875	0.375	63	21158-5704	1.250	2.125	0.625	EQ	24802-1932
1.250	1.875	0.688	63T2	23550-1452	1.250	2.125	0.687	63R1	23547-6674
1.250	1.875	0.690	EQ	24807-2996	1.250	2.125	0.687	63TB	23549-6674
1.250	1.984	0.250	92	27063-9525	1.250	2.250	0.312	61	24060-1344
1.250	1.984	0.375	62	21702-0424	1.250	2.250	0.375	25	25058-0439
1.250	1.984	0.375	63	21158-0424	1.250	2.250	0.375	61	24060-0439
1.250	1.984	0.375	66	21527-0424	1.250	2.250	0.375	62	21702-0439
1.250	1.984	0.437	62	21702-0425	1.250	2.250	0.375	63	21158-0439
1.250	1.984	0.437	63	21158-0425	1.250	2.250	0.375	66	21527-0439
1.250	1.984	0.500	63	21158-0426	1.250	2.250	0.437	63	21158-0440
1.250	1.984	0.594	63F1	23078-8312	1.250	2.250	0.500	26	24600-0631
1.250	1.984	0.687	63T2	23550-7595	1.250	2.250	0.500	62	21702-0441

All dimensions are in inches. Preferred sizes are indicated with **bold** type face.

Sizes listed are for standard nitrile elements, except Models 25 and 62 which have PTFE elements. Other material available on inquiry only.

SHAFT	BORE	WIDTH	MODEL NO.	PART NO.	SHAFT	BORE	WIDTH	MODEL NO.	PART NO.
1.250	2.250	0.500	63	21158-0441	1.281	2.250	0.375	63	21158-0463
1.250	2.250	0.625	EQ	24801-1420	1.281	2.250	0.500	63	21158-0465
1.250	2.250	0.625	EQ	24802-1420	1.281	2.437	0.500	63	21158-0471
1.250	2.250	0.687	63R1	23547-6675	1.281	2.441	0.375	63	21158-8070
1.250	2.250	0.687	63R2	23548-6675	1.281	2.497	0.500	63	21158-0474
1.250	2.250	0.687	63T2	23550-6675	1.281	2.497	0.687	63R1	23547-9551
1.250	2.250	0.690	EQ	24807-3533	1.281	2.497	0.687	63T2	23550-9551
1.250	2.250	0.750	IG	29500-4140	1.281	2.500	0.375	63	21158-0475
1.250	2.250	0.750	IG	29502-4140	1.299	1.772	0.315	61	24060-1784
1.250	2.375	0.375	61	24060-0442	1.312	1.562	0.125	71	26001-6193
1.250	2.375	0.375	63	21158-0442	1.312	1.605	0.156	76	26193-6194
1.250	2.375	0.375	66	21527-0442	1.312	1.625	0.156	76	26193-6195
1.250	2.375	0.437	63	21158-0443	1.312	1.750	0.187	76	26193-7519
1.250	2.375	0.500	63	21158-0444	1.312	1.750	0.250	92	27063-6197
1.250	2.375	0.594	63F1	23078-7372	1.312	1.875	0.219	92	27063-9527
1.250	2.375	0.625	EQ	24801-0787	1.312	1.984	0.375	63	21158-0478
1.250	2.375	0.625	EQ	24802-0787	1.312	2.000	0.375	63	21158-0481
1.250	2.375	0.687	63R2	23548-6517	1.312	2.000	0.437	63	21158-0482
1.250	2.375	0.687	63T2	23550-6517	1.312	2.000	0.625	IG	29507-1146
1.250	2.437	0.375	62	21702-0445	1.312	2.047	0.375	63	21158-4821
1.250	2.437	0.375	63	21158-0445	1.312	2.062	0.375	26	24600-1297
1.250	2.437	0.375	66	21527-0445	1.312	2.062	0.375	62	21702-0484
1.250	2.437	0.437	63	21158-0446	1.312	2.062	0.375	63	21158-0484
1.250	2.437	0.500	63	21158-0447	1.312	2.062	0.437	63	21158-0485
1.250	2.437	0.687	63R1	23547-8569	1.312	2.106	0.375	63	21158-0487
1.250	2.438	0.438	26	24600-1296	1.312	2.106	0.687	63T2	23550-9381
1.250	2.438	0.750	IG	29502-4680	1.312	2.125	0.375	62	21702-0490
1.250	2.500	0.375	25	25058-6502	1.312	2.125	0.375	63	21158-0490
1.250	2.835	0.375	94	27223-6192	1.312	2.125	0.437	63	21158-0491
1.250	2.875	0.625	EQ	24802-2195	1.312	2.125	0.500	63	21158-0492
1.250	2.875	0.750	IG	29502-5101	1.312	2.250	0.375	63	21158-0493
1.250	3.125	0.750	IG	29502-5621	1.312	2.250	0.437	63	21158-0494
1.250	3.150	0.750	IG	29502-5214	1.312	2.250	0.500	63	21158-0495
1.260	1.654	0.625	IG	29507-5536	1.312	2.375	0.375	62	21702-0496
1.260	1.693	0.394	26	24600-0449	1.312	2.375	0.375	63	21158-0496
1.260	1.772	0.315	61	24060-2224	1.312	2.375	0.437	63	21158-0497
1.260	1.850	0.276	92	27063-0350	1.312	2.375	0.500	63	21158-0498
1.260	1.850	0.315	61	24060-1776	1.312	2.437	0.375	63	21158-0499
1.260	1.850	0.625	IG	29507-4922	1.312	2.441	0.375	63	21158-8071
1.260	2.047	0.276	92	27063-0364	1.312	2.500	0.375	62	21702-0505
1.260	2.047	0.354	61	24060-2212	1.312	2.500	0.375	63	21158-0505
1.260	2.126	0.394	61	24060-2784	1.312	2.500	0.500	62	21702-0507
1.260	2.165	0.750	IG	29502-4860	1.312	2.500	0.500	63	21158-0507
1.266	2.048	0.375	63	21158-7316	1.312	2.875	0.500	63	21158-3879
1.281	1.984	0.375	63	21158-0448	1.313	2.000	0.690	EQ	24807-2524
1.281	1.984	0.375	66	21527-0448	1.313	2.313	0.750	IG	29502-4273
1.281	2.000	0.375	63	21158-0451	1.334	2.363	0.500	EQ	24801-1019
1.281	2.000	0.375	66	21527-0451	1.334	2.363	0.625	EQ	24801-1411
1.281	2.047	0.375	63	21158-7715	1.334	2.363	0.625	EQ	24802-1411
1.281	2.062	0.375	63	21158-0454	1.337	2.165	0.315	26R1	24620-0574
1.281	2.106	0.375	63	21158-0457	1.344	2.062	0.375	63	21158-0508
1.281	2.125	0.500	63	21158-0462	1.344	2.106	0.375	63	21158-0511

All dimensions are in inches. Preferred sizes are indicated with **bold** type face. Sizes listed are for standard nitrile elements, except Models 25 and 62 which have PTFE elements. Other material available on inquiry only.

Oil Seals by Shaft Size

Garlock

SHAFT	BORE	WIDTH	MODEL NO.	PART NO.	SHAFT	BORE	WIDTH	MODEL NO.	PART NO.
1.344	2.125	0.375	63	21158-0514	1.375	2.106	0.437	63	21158-0539
1.344	2.125	0.437	63	21158-0515	1.375	2.106	0.500	63	21158-0540
1.344	2.250	0.375	62	21702-0517	1.375	2.106	0.687	63T2	23550-5007
1.344	2.250	0.375	63	21158-0517	1.375	2.125	0.312	3	28003-1360
1.344	2.375	0.375	63	21158-0520	1.375	2.125	0.375	26	24600-1829
1.344	2.437	0.375	63	21158-0523	1.375	2.125	0.375	61	24060-0541
1.344	2.437	0.500	63	21158-0525	1.375	2.125	0.375	61	24061-0541
1.344	2.441	0.375	63	21158-8072	1.375	2.125	0.375	62	21702-0541
1.344	2.497	0.375	63	21158-0526	1.375	2.125	0.375	63	21158-0541
1.344	2.500	0.375	62	21702-0529	1.375	2.125	0.375	66	21527-0541
1.344	2.500	0.375	63	21158-0529	1.375	2.125	0.375	67	21528-0541
1.344	2.625	0.375	63	21158-0532	1.375	2.125	0.375	68	21823-0541
1.370	2.060	0.625	IG	29507-4318	1.375	2.125	0.375	76	26193-0541
1.370	2.375	0.750	IG	29502-4689	1.375	2.125	0.437	62	21702-0542
1.375	1.625	0.109	71	26001-9961	1.375	2.125	0.437	63	21158-0542
1.375	1.625	0.125	71	26001-7068	1.375	2.125	0.500	62	21702-0543
1.375	1.687	0.109	71	26001-8715	1.375	2.125	0.500	63	21158-0543
1.375	1.750	0.187	76	26193-7520	1.375	2.125	0.594	63F1	23078-7567
1.375	1.750	0.219	76	26193-8479	1.375	2.125	0.625	63F1	23078-9833
1.375	1.750	0.690	EQ	24807-4078	1.375	2.125	0.625	EQ	24801-1092
1.375	1.874	0.690	EQ	24807-2512	1.375	2.125	0.625	EQ	24802-1092
1.375	1.875	0.187	92	27063-7521	1.375	2.125	0.625	IG	29507-1092
1.375	1.875	0.250	26	24600-6207	1.375	2.125	0.625	IG	29519-1092
1.375	1.875	0.312	94	27223-6208	1.375	2.125	0.687	63R1	23547-6479
1.375	1.875	0.625	IG	29507-4176	1.375	2.125	0.687	63R2	23548-6479
1.375	2.000	0.312	3	28003-1348	1.375	2.125	0.687	63T2	23550-6479
1.375	2.000	0.312	26	24600-1454	1.375	2.125	0.690	EQ	24807-2858
1.375	2.000	0.312	61	24060-1354	1.375	2.125	0.750	IG	29502-4118
1.375	2.000	0.375	61	24060-7386	1.375	2.250	0.312	3	28003-1368
1.375	2.000	0.375	61	24064-7386	1.375	2.250	0.375	25	25058-0544
1.375	2.000	0.375	62	21702-7386	1.375	2.250	0.375	61	24060-0544
1.375	2.000	0.375	63	21158-7386	1.375	2.250	0.375	62	21702-0544
1.375	2.000	0.500	61	24063-0857	1.375	2.250	0.375	63	21158-0544
1.375	2.000	0.625	IG	29507-2940	1.375	2.250	0.375	66	21527-0544
1.375	2.000	0.690	EQ	24807-1970	1.375	2.250	0.375	67	21528-0544
1.375	2.047	0.375	62	21702-6655	1.375	2.250	0.375	68	21823-0544
1.375	2.047	0.375	63	21158-6655	1.375	2.250	0.437	63	21158-0545
1.375	2.062	0.375	61	24060-0535	1.375	2.250	0.500	25	25058-0546
1.375	2.062	0.375	62	21702-0535	1.375	2.250	0.500	62	21702-0546
1.375	2.062	0.375	63	21158-0535	1.375	2.250	0.500	63	21158-0546
1.375	2.062	0.375	66	21527-0535	1.375	2.250	0.500	EQ	24801-1008
1.375	2.062	0.375	67	21528-0535	1.375	2.250	0.594	63F1	23078-6701
1.375	2.062	0.375	68	21823-0535	1.375	2.250	0.625	EQ	24801-1121
1.375	2.062	0.375	92	27063-0535	1.375	2.250	0.625	EQ	24802-1121
1.375	2.062	0.437	63	21158-0536	1.375	2.250	0.687	63R1	23547-6774
1.375	2.062	0.500	63	21158-0537	1.375	2.250	0.687	63T2	23550-6774
1.375	2.062	0.687	63R1	23547-6576	1.375	2.250	0.750	IG	29502-5520
1.375	2.062	0.687	63T2	23550-6576	1.375	2.263	0.625	IG	29507-5097
1.375	2.062	0.690	EQ	24807-2692	1.375	2.374	0.312	3	28003-1378
1.375	2.064	0.500	26	24600-0705	1.375	2.375	0.375	26	24600-0547
1.375	2.103	0.625	IG	29507-4815	1.375	2.375	0.375	63	21158-0547
1.375	2.106	0.375	63	21158-0538	1.375	2.375	0.375	66	21527-0547

All dimensions are in inches. Preferred sizes are indicated with **bold** type face.

Sizes listed are for standard nitrile elements, except Models 25 and 62 which have PTFE elements. Other material available on inquiry only.

Garlock

Oil Seals by Shaft Size

SHAFT	BORE	WIDTH	MODEL NO.	PART NO.	SHAFT	BORE	WIDTH	MODEL NO.	PART NO.
1.375	2.375	0.375	67	21528-0547	1.375	2.828	0.625	EQ	24801-4639
1.375	2.375	0.375	68	21823-0547	1.375	2.835	0.312	94	27223-6639
1.375	2.375	0.437	62	21702-0548	1.375	2.835	0.375	63	21158-4584
1.375	2.375	0.437	63	21158-0548	1.375	2.835	0.375	67	21528-4584
1.375	2.375	0.500	63	21158-0549	1.375	2.835	0.375	68	21823-4584
1.375	2.375	0.625	EQ	24802-1101	1.375	2.835	0.625	EQ	24801-1138
1.375	2.375	0.750	IG	29500-4141	1.375	2.835	0.625	EQ	24802-1138
1.375	2.375	0.750	IG	29502-4141	1.375	2.835	0.750	IG	29502-4104
1.375	2.437	0.375	62	21702-0550	1.375	2.836	0.500	EQ	24801-1017
1.375	2.437	0.375	63	21158-0550	1.375	2.875	0.375	61	24060-9612
1.375	2.437	0.375	66	21527-0550	1.375	2.875	0.375	63	21158-9612
1.375	2.437	0.437	62	21702-0551	1.375	2.875	0.625	EQ	24802-2622
1.375	2.437	0.437	63	21158-0551	1.375	3.125	0.625	EQ	24802-1105
1.375	2.437	0.500	62	21702-0552	1.375	3.125	0.750	IG	29502-4329
1.375	2.437	0.500	63	21158-0552	1.375	3.150	0.375	94	27223-6557
1.375	2.437	0.625	EQ	24801-2694	1.375	3.150	0.750	IG	29502-5775
1.375	2.437	0.625	EQ	24802-2694	1.378	1.850	0.276	92	27063-0366
1.375	2.437	0.750	IG	29502-4320	1.378	1.850	0.315	61	24060-1787
1.375	2.438	0.250	61	24060-1355	1.378	1.850	0.625	IG	29507-4924
1.375	2.439	0.500	26	24600-0708	1.378	1.969	0.276	61	24060-2119
1.375	2.439	0.625	EQ	24802-1929	1.378	1.969	0.276	61	24061-2119
1.375	2.441	0.312	94	27223-5091	1.378	1.969	0.276	92	27063-0368
1.375	2.441	0.375	63	21158-6658	1.378	1.969	0.315	26R1	24620-0572
1.375	2.441	0.375	66	21527-6658	1.378	1.969	0.394	61	24060-1789
1.375	2.497	0.375	63	21158-0553	1.378	1.969	0.625	IG	29507-4925
1.375	2.497	0.375	66	21527-0553	1.378	2.047	0.276	26	24600-1139
1.375	2.497	0.437	63	21158-0554	1.378	2.047	0.625	IG	29507-4926
1.375	2.497	0.500	63	21158-0555	1.378	2.146	0.748	EQSPB	24816-7061
1.375	2.500	0.375	26	24600-0556	1.378	2.165	0.315	92	27063-0371
1.375	2.500	0.375	61	24060-0556	1.378	2.165	0.434	26R1	24620-0573
1.375	2.500	0.375	63	21158-0556	1.378	2.165	0.625	EQ	24801-2260
1.375	2.500	0.375	66	21527-0556	1.378	2.165	0.625	EQ	24802-2260
1.375	2.500	0.375	67	21528-0556	1.378	2.165	0.750	IG	29502-4529
1.375	2.500	0.375	68	21823-0556	1.378	2.244	0.394	26	24600-0575
1.375	2.500	0.437	63	21158-0557	1.378	2.362	0.625	EQ	24802-1752
1.375	2.500	0.625	26	24600-0754	1.378	2.441	0.276	92	27063-0376
1.375	2.500	0.625	EQ	24801-0754	1.378	2.441	0.625	EQ	24802-5917
1.375	2.500	0.625	EQ	24802-0754	1.378	2.539	0.748	EQSPB	24816-7062
1.375	2.500	0.687	63T2	23550-6475	1.378	2.545	0.625	EQ	24802-4096
1.375	2.500	0.750	IG	29502-5334	1.378	2.835	0.750	IG	29502-5798
1.375	2.561	0.375	63	21158-0562	1.378	3.150	0.625	EQ	24802-3087
1.375	2.562	0.500	58	21003-2295	1.378	3.465	0.500	26	24600-0913
1.375	2.625	0.375	63	21158-0559	1.378	3.465	0.500	EQ	24801-0913
1.375	2.625	0.375	66	21527-0559	1.387	1.850	0.394	61	24064-1788
1.375	2.625	0.437	63	21158-0560	1.399	2.292	0.315	61	24060-2460
1.375	2.625	0.500	63	21158-0561	1.406	2.125	0.375	62	21702-0565
1.375	2.625	0.687	63R2	23548-4976	1.406	2.125	0.375	63	21158-0565
1.375	2.625	0.687	63T2	23550-4976	1.406	2.125	0.437	63	21158-0566
1.375	2.625	0.750	IG	29502-5024	1.406	2.250	0.375	63	21158-0568
1.375	2.688	0.500	26	24600-1298	1.406	2.375	0.375	61	24060-0571
1.375	2.750	0.375	61	24060-1356	1.406	2.375	0.375	63	21158-0571
1.375	2.812	0.750	IG	29502-5386	1.406	2.441	0.375	63	21158-8073

All dimensions are in inches. Preferred sizes are indicated with **bold** type face.

Sizes listed are for standard nitrile elements, except Models 25 and 62 which have PTFE elements. Other material available on inquiry only.

Oil Seals by Shaft Size

Garlock

SHAFT	BORE	WIDTH	MODEL NO.	PART NO.	SHAFT	BORE	WIDTH	MODEL NO.	PART NO.
1.406	2.500	0.375	63	21158-0580	1.437	2.500	0.500	63	21158-0609
1.406	2.625	0.375	63	21158-0583	1.437	2.500	0.625	EQ	24802-2107
1.417	1.850	0.276	92	27063-0378	1.437	2.500	0.687	63R2	23548-4861
1.417	2.047	0.374	63	21158-7748	1.437	2.625	0.375	63	21158-0610
1.417	2.125	0.625	IG	29507-5552	1.437	2.625	0.500	63	21158-0612
1.417	2.126	0.276	92	27063-0379	1.437	2.686	0.375	63	21158-0613
1.427	2.500	0.625	EQ	24802-1100	1.437	2.686	0.500	63	21158-0615
1.428	2.375	0.625	EQ	24802-4084	1.437	2.686	0.687	63R1	23547-4891
1.437	1.750	0.156	71	26001-7070	1.437	2.694	0.750	IG	29502-5268
1.437	1.937	0.250	94	27223-6211	1.437	3.150	0.375	94	27223-6215
1.437	2.062	0.250	71	26001-7071	1.438	1.938	0.375	61	24060-2335
1.437	2.125	0.375	62	21702-0592	1.438	1.938	0.625	IG	29507-5624
1.437	2.125	0.375	63	21158-0592	1.438	1.938	0.690	EQ	24807-1783
1.437	2.125	0.375	66	21527-0592	1.438	2.000	0.312	61	24060-1358
1.437	2.125	0.375	94	27223-0592	1.438	2.000	0.313	26	24600-1465
1.437	2.125	0.437	63	21158-0593	1.438	2.062	0.690	EQ	24807-3110
1.437	2.125	0.500	63	21158-0594	1.438	2.063	0.312	61	24060-1361
1.437	2.125	0.625	EQ	24802-4456	1.438	2.063	0.313	26	24600-1466
1.437	2.125	0.687	63T2	23550-9122	1.438	2.063	0.609	EQSPB	24816-7124
1.437	2.250	0.375	62	21702-0595	1.438	2.063	0.820	IGSPB	29516-5432
1.437	2.250	0.375	63	21158-0595	1.438	2.063	0.875	EQSPB	24816-3982
1.437	2.250	0.375	66	21527-0595	1.438	2.063	0.975	EQSPB	24816-7067
1.437	2.250	0.437	63	21158-0596	1.438	2.125	0.375	26	24600-0737
1.437	2.250	0.500	62	21702-0597	1.438	2.125	0.375	61	24060-0592
1.437	2.250	0.500	63	21158-0597	1.438	2.125	0.625	IG	29507-4456
1.437	2.250	0.500	EQ	24801-0741	1.438	2.125	0.690	EQ	24807-1888
1.437	2.250	0.625	EQ	24802-1116	1.438	2.188	0.375	61	24060-1362
1.437	2.250	0.687	63R2	23548-6569	1.438	2.250	0.500	26	24600-0741
1.437	2.250	0.687	63T2	23550-6569	1.438	2.250	0.625	EQ	24801-1116
1.437	2.310	0.625	EQ	24802-3002	1.438	2.250	0.750	IG	29502-4117
1.437	2.375	0.375	62	21702-0598	1.438	2.375	0.375	26	24600-0598
1.437	2.375	0.375	63	21158-0598	1.438	2.375	0.375	61	24060-0598
1.437	2.375	0.375	66	21527-0598	1.438	2.375	0.625	EQ	24802-1958
1.437	2.375	0.437	63	21158-0599	1.438	2.375	0.750	IG	29502-5489
1.437	2.375	0.500	62	21702-0600	1.438	2.438	0.500	26	24600-0634
1.437	2.375	0.500	63	21158-0600	1.438	2.500	0.375	61	24060-0595
1.437	2.375	0.625	IG	29507-1958	1.438	2.500	0.500	26	24600-0609
1.437	2.437	0.375	63	21158-0601	1.438	2.500	0.750	IG	29502-5436
1.437	2.437	0.375	66	21527-0601	1.450	2.360	0.750	IG	29502-4742
1.437	2.437	0.437	63	21158-0602	1.453	1.968	0.312	92	27063-9965
1.437	2.437	0.500	63	21158-0603	1.453	2.047	0.312	92	27063-6218
1.437	2.437	0.594	63F1	23078-6961	1.457	2.500	0.750	IG	29502-4440
1.437	2.437	0.625	EQ	24801-2720	1.465	2.343	0.625	EQ	24802-1139
1.437	2.437	0.687	63T2	23550-7226	1.468	2.343	0.690	EQ	24807-3144
1.437	2.437	0.750	IG	29502-4177	1.468	2.375	0.750	IG	29502-5596
1.437	2.441	0.375	63	21158-9294	1.469	2.000	0.312	76	26193-6036
1.437	2.497	0.375	63	21158-0604	1.469	2.250	0.375	63	21158-0616
1.437	2.497	0.375	66	21527-0604	1.469	2.250	0.594	63F1	23078-8432
1.437	2.497	0.437	63	21158-0605	1.469	2.375	0.375	63	21158-0619
1.437	2.500	0.375	63	21158-0607	1.469	2.375	0.500	63	21158-0621
1.437	2.500	0.437	63	21158-0608	1.469	2.375	0.625	EQ	24802-4685
1.437	2.500	0.500	62	21702-0609	1.469	2.375	0.687	63R2	23548-9081

All dimensions are in inches. Preferred sizes are indicated with **bold** type face.

Sizes listed are for standard nitrile elements, except Models 25 and 62 which have PTFE elements. Other material available on inquiry only.

Garlock

Oil Seals by Shaft Size

SHAFT	BORE	WIDTH	MODEL NO.	PART NO.	SHAFT	BORE	WIDTH	MODEL NO.	PART NO.
1.469	2.437	0.375	63	21158-0622	1.500	2.250	0.375	67	21528-0643
1.469	2.437	0.469	63	21158-5496	1.500	2.250	0.375	68	21823-0643
1.469	2.437	0.500	62	21702-0624	1.500	2.250	0.437	62	21702-0644
1.469	2.437	0.500	63	21158-0624	1.500	2.250	0.437	63	21158-0644
1.469	2.441	0.375	63	21158-8075	1.500	2.250	0.438	26	24600-0644
1.469	2.500	0.375	63	21158-0628	1.500	2.250	0.500	61	24062-0645
1.469	2.686	0.375	63	21158-0634	1.500	2.250	0.500	61	24063-0645
1.469	2.750	0.437	63	21158-0638	1.500	2.250	0.500	62	21702-0645
1.469	2.750	0.687	63R2	23548-4818	1.500	2.250	0.500	63	21158-0645
1.469	2.750	0.687	63T2	23550-4818	1.500	2.250	0.500	EQ	24801-0804
1.469	2.756	0.375	63	21158-0640	1.500	2.250	0.531	63R1	23547-8704
1.475	2.335	0.625	EQ	24802-2288	1.500	2.250	0.594	63F1	23078-7568
1.493	2.493	0.625	EQ	24802-3284	1.500	2.250	0.625	EQ	24801-1763
1.496	2.126	0.394	61	24061-1794	1.500	2.250	0.625	EQ	24802-1763
1.496	2.165	0.276	92	27063-0381	1.500	2.250	0.687	63R1	23547-6937
1.496	2.165	0.394	61	24060-1484	1.500	2.250	0.687	63T2	23550-6937
1.496	2.165	0.625	IG	29507-4934	1.500	2.250	0.690	EQ	24807-3700
1.496	2.165	0.690	EQ	24807-2839	1.500	2.250	0.750	IG	29502-4235
1.496	2.362	0.750	IG	29502-5372	1.500	2.254	0.750	IG	29502-4595
1.496	2.441	0.276	92	27063-0382	1.500	2.313	0.312	61	24060-1367
1.496	2.441	0.625	EQ	24802-4935	1.500	2.374	0.312	3	28003-1472
1.496	2.496	0.625	EQ	24802-4102	1.500	2.375	0.312	61	24060-2410
1.500	1.750	0.109	71	26001-6221	1.500	2.375	0.375	61	24060-0646
1.500	1.875	0.125	71	26001-6222	1.500	2.375	0.375	62	21702-0646
1.500	1.875	0.187	71	26001-6223	1.500	2.375	0.375	63	21158-0646
1.500	1.875	0.187	76	26193-6223	1.500	2.375	0.375	66	21527-0646
1.500	2.000	0.250	76	26193-7517	1.500	2.375	0.375	67	21528-0646
1.500	2.000	0.625	IG	29507-4130	1.500	2.375	0.375	68	21823-0646
1.500	2.000	0.690	EQ	24807-2578	1.500	2.375	0.437	63	21158-0647
1.500	2.063	0.820	IGSPB	29516-7128	1.500	2.375	0.500	62	21702-0648
1.500	2.125	0.312	3	28003-1454	1.500	2.375	0.500	63	21158-0648
1.500	2.125	0.312	61	24060-1364	1.500	2.375	0.500	67	21528-0648
1.500	2.125	0.375	61	24060-4798	1.500	2.375	0.500	68	21823-0648
1.500	2.125	0.375	62	21702-4798	1.500	2.375	0.500	EQ	24801-0648
1.500	2.125	0.437	61	24062-5713	1.500	2.375	0.625	EQ	24801-1214
1.500	2.125	0.437	61	24063-5713	1.500	2.375	0.625	EQ	24802-1214
1.500	2.125	0.437	62	21702-5713	1.500	2.375	0.625	IG	29507-1214
1.500	2.125	0.437	63	21158-5713	1.500	2.375	0.687	63R1	23547-6667
1.500	2.125	0.625	EQ	24802-1118	1.500	2.375	0.687	63R2	23548-6667
1.500	2.125	0.625	IG	29507-1118	1.500	2.375	0.687	63T2	23550-6667
1.500	2.125	0.690	EQ	24807-3410	1.500	2.375	0.750	IG	29502-4810
1.500	2.219	0.625	IG	29507-5373	1.500	2.378	0.500	EQ	24801-1099
1.500	2.250	0.250	26	24600-9722	1.500	2.410	0.625	EQ	24802-1874
1.500	2.250	0.250	61	24060-9722	1.500	2.437	0.375	63	21158-0649
1.500	2.250	0.250	92	27063-9722	1.500	2.437	0.375	66	21527-0649
1.500	2.250	0.312	3	28003-1462	1.500	2.437	0.437	63	21158-0650
1.500	2.250	0.312	62	21702-5246	1.500	2.437	0.500	63	21158-0651
1.500	2.250	0.375	26	24600-0643	1.500	2.441	0.375	63	21158-3880
1.500	2.250	0.375	61	24060-0643	1.500	2.441	0.375	66	21527-3880
1.500	2.250	0.375	62	21702-0643	1.500	2.460	0.625	EQ	24802-1872
1.500	2.250	0.375	63	21158-0643	1.500	2.497	0.375	63	21158-0652
1.500	2.250	0.375	66	21527-0643	1.500	2.497	0.375	66	21527-0652

All dimensions are in inches. Preferred sizes are indicated with **bold** type face. Sizes listed are for standard nitrile elements, except Models 25 and 62 which have PTFE elements. Other material available on inquiry only.

Oil Seals by Shaft Size

Garlock

SHAFT	BORE	WIDTH	MODEL NO.	PART NO.	SHAFT	BORE	WIDTH	MODEL NO.	PART NO.
1.500	2.497	0.500	63	21158-0654	1.500	2.882	0.375	63	21158-3881
1.500	2.499	0.625	EQ	24802-1194	1.500	3.000	0.500	26	24600-0874
1.500	2.500	0.375	25	25058-0655	1.500	3.045	0.625	EQ	24801-3971
1.500	2.500	0.375	61	24060-0655	1.500	3.250	0.500	26R1	24620-4228
1.500	2.500	0.375	61	24061-0655	1.500	3.500	0.437	61	24061-1369
1.500	2.500	0.375	62	21702-0655	1.531	2.250	0.375	62	21702-0670
1.500	2.500	0.375	63	21158-0655	1.531	2.250	0.375	63	21158-0670
1.500	2.500	0.375	66	21527-0655	1.531	2.375	0.375	63	21158-0673
1.500	2.500	0.375	67	21528-0655	1.531	2.441	0.375	63	21158-8076
1.500	2.500	0.375	68	21823-0655	1.531	2.497	0.375	63	21158-0679
1.500	2.500	0.437	63	21158-0656	1.531	2.500	0.375	63	21158-0682
1.500	2.500	0.500	26	24600-0635	1.531	2.500	0.438	26	24600-3993
1.500	2.500	0.500	62	21702-0657	1.531	2.625	0.375	63	21158-0685
1.500	2.500	0.500	63	21158-0657	1.531	2.750	0.500	63	21158-0693
1.500	2.500	0.625	IG	29507-1194	1.531	2.756	0.375	63	21158-0694
1.500	2.500	0.687	63R1	23547-6551	1.552	2.500	0.500	61	24060-2574
1.500	2.500	0.687	63R2	23548-6551	1.560	2.590	0.625	EQ	24802-1779
1.500	2.500	0.687	63T2	23550-6551	1.562	2.188	0.312	26	24600-0698
1.500	2.500	0.687	63TB	23549-6551	1.562	2.250	0.375	26	24600-1234
1.500	2.500	0.750	IG	29500-4143	1.562	2.250	0.375	62	21702-0700
1.500	2.500	0.750	IG	29502-4143	1.562	2.250	0.375	63	21158-0700
1.500	2.502	0.312	3	28003-1492	1.562	2.250	0.375	66	21527-0700
1.500	2.545	0.625	EQ	24802-4346	1.562	2.250	0.375	67	21528-0700
1.500	2.563	0.625	EQ	24802-3048	1.562	2.250	0.437	63	21158-0701
1.500	2.625	0.375	61	24060-0658	1.562	2.250	0.500	63	21158-0702
1.500	2.625	0.375	63	21158-0658	1.562	2.250	0.594	63F1	23078-7116
1.500	2.625	0.375	67	21528-0658	1.562	2.375	0.375	62	21702-0703
1.500	2.625	0.375	68	21823-0658	1.562	2.375	0.375	63	21158-0703
1.500	2.625	0.437	63	21158-0659	1.562	2.375	0.375	66	21527-0703
1.500	2.625	0.500	63	21158-0660	1.562	2.375	0.437	63	21158-0704
1.500	2.625	0.500	EQ	24801-0856	1.562	2.375	0.500	62	21702-0705
1.500	2.625	0.594	63F1	23078-5004	1.562	2.375	0.687	63R1	23547-8104
1.500	2.625	0.625	EQ	24801-1166	1.562	2.375	0.687	63R2	23548-8104
1.500	2.625	0.625	EQ	24802-1166	1.562	2.375	0.690	EQ	24807-4579
1.500	2.625	0.687	63T2	23550-6448	1.562	2.437	0.375	62	21702-0706
1.500	2.686	0.375	63	21158-0661	1.562	2.437	0.375	63	21158-0706
1.500	2.750	0.375	61	24060-0664	1.562	2.437	0.375	66	21527-0706
1.500	2.750	0.375	62	21702-0664	1.562	2.437	0.437	62	21702-0707
1.500	2.750	0.375	63	21158-0664	1.562	2.437	0.437	63	21158-0707
1.500	2.750	0.375	67	21528-0664	1.562	2.437	0.500	63	21158-0708
1.500	2.750	0.375	68	21823-0664	1.562	2.437	0.625	EQ	24802-3268
1.500	2.750	0.437	63	21158-0665	1.562	2.437	0.687	63R1	23547-7280
1.500	2.750	0.500	63	21158-0666	1.562	2.441	0.375	63	21158-8077
1.500	2.750	0.594	63F1	23078-5268	1.562	2.441	0.437	63	21158-8326
1.500	2.750	0.750	IG	29502-5743	1.562	2.441	0.750	IG	29502-4877
1.500	2.756	0.375	61	24060-0667	1.562	2.497	0.375	63	21158-0709
1.500	2.756	0.375	63	21158-0667	1.562	2.497	0.375	66	21527-0709
1.500	2.756	0.437	63	21158-0668	1.562	2.500	0.375	62	21702-0712
1.500	2.756	0.500	63	21158-0669	1.562	2.500	0.375	63	21158-0712
1.500	2.864	0.750	IG	29502-5578	1.562	2.500	0.375	66	21527-0712
1.500	2.875	0.375	61	24060-1368	1.562	2.500	0.437	63	21158-0713
1.500	2.875	0.406	63	21158-5501	1.562	2.500	0.500	63	21158-0714

All dimensions are in inches. Preferred sizes are indicated with **bold** type face.

Sizes listed are for standard nitrile elements, except Models 25 and 62 which have PTFE elements. Other material available on inquiry only.

SHAFT	BORE	WIDTH	MODEL NO.	PART NO.	SHAFT	BORE	WIDTH	MODEL NO.	PART NO.
1.562	2.500	0.594	63F1	23078-6271	1.574	2.448	0.314	26	24600-4632
1.562	2.500	0.625	EQ	24802-3029	1.574	2.575	0.625	EQ	24802-1803
1.562	2.500	0.625	IG	29507-3029	1.574	3.937	0.625	EQ	24802-3498
1.562	2.500	0.687	63R2	23548-6899	1.575	2.047	0.276	26	24600-5918
1.562	2.500	0.750	IG	29502-4843	1.575	2.047	0.276	92	27063-0391
1.562	2.502	0.750	IG	29502-4470	1.575	2.047	0.625	IG	29507-4718
1.562	2.561	0.500	63	21158-4645	1.575	2.047	0.690	EQ	24807-1359
1.562	2.561	0.500	66	21527-4645	1.575	2.165	0.276	92	27063-0392
1.562	2.598	0.750	IG	29502-5731	1.575	2.165	0.315	61	24063-2055
1.562	2.625	0.375	63	21158-0715	1.575	2.165	0.394	61	24060-1931
1.562	2.625	0.375	66	21527-0715	1.575	2.165	0.394	61	24064-1931
1.562	2.625	0.500	62	21702-0717	1.575	2.205	0.276	92	27063-0393
1.562	2.625	0.500	63	21158-0717	1.575	2.283	0.315	92	27063-0406
1.562	2.625	0.625	EQ	24802-1186	1.575	2.283	0.394	61	24062-2136
1.562	2.686	0.375	63	21158-0718	1.575	2.283	0.625	IG	29507-5068
1.562	2.686	0.375	66	21527-0718	1.575	2.362	0.354	26	24600-0733
1.562	2.686	0.687	63T2	23550-7130	1.575	2.362	0.394	61	24060-1912
1.562	2.750	0.375	63	21158-0721	1.575	2.362	0.750	IG	29502-5539
1.562	2.750	0.375	66	21527-0721	1.575	2.441	0.276	92	27063-0423
1.562	2.750	0.437	63	21158-0722	1.575	2.441	0.315	61	24060-0132
1.562	2.750	0.500	63	21158-0723	1.575	2.441	0.375	61	24060-8610
1.562	2.750	0.625	EQ	24802-4202	1.575	2.441	0.375	63	21158-8610
1.562	2.756	0.375	63	21158-0724	1.575	2.441	0.394	63	21158-7884
1.562	2.756	0.375	66	21527-0724	1.575	2.441	0.750	IG	29502-4808
1.562	2.756	0.437	63	21158-0725	1.575	2.500	0.625	EQ	24801-3628
1.562	2.783	0.375	63	21158-0727	1.575	2.559	0.276	26	24600-1228
1.562	2.783	0.375	66	21527-0727	1.575	2.559	0.472	26R1	24620-1030
1.562	2.783	0.437	63	21158-0728	1.575	2.575	0.750	IG	29500-4895
1.562	2.783	0.687	63T2	23550-7261	1.575	2.835	0.276	92	27063-0435
1.562	2.835	0.375	63	21158-8078	1.575	3.071	0.750	IG	29502-4441
1.562	2.875	0.375	63	21158-3883	1.575	3.150	0.394	92	27063-0449
1.562	2.875	0.375	66	21527-3883	1.575	3.150	0.625	EQ	24801-2631
1.562	3.150	0.312	94	27223-8003	1.575	3.425	0.625	EQ	24801-3915
1.562	3.150	0.375	66	21527-6686	1.578	2.687	0.375	62	21702-9488
1.562	3.544	0.375	66	21527-6486	1.594	2.375	0.375	62	21702-0730
1.562	3.544	0.375	94	27223-6486	1.594	2.375	0.375	63	21158-0730
1.562	3.548	0.750	IG	29502-5292	1.594	2.437	0.437	63	21158-0734
1.563	2.375	0.375	61	24060-0703	1.594	2.441	0.375	63	21158-8079
1.563	2.438	0.375	61	24060-0706	1.594	2.500	0.375	63	21158-0739
1.563	2.500	0.375	61	24060-0712	1.594	2.500	0.375	66	21527-0739
1.563	2.563	0.500	61	24060-1370	1.594	2.625	0.375	63	21158-0742
1.563	2.563	0.750	IG	29502-4274	1.594	2.625	0.500	63	21158-0744
1.563	2.623	0.750	IG	29502-4771	1.594	2.686	0.500	63	21158-0747
1.570	2.000	0.625	IG	29507-5482	1.594	2.750	0.375	63	21158-0748
1.570	2.250	0.625	IG	29507-4545	1.594	2.750	0.500	63	21158-0750
1.570	2.338	0.625	EQ	24802-1267	1.594	2.756	0.375	63	21158-0751
1.570	3.188	0.625	EQ	24801-1974	1.594	2.835	0.375	63	21158-8080
1.571	2.571	0.625	EQ	24802-2971	1.594	2.875	0.375	63	21158-0757
1.571	2.571	0.625	IG	29507-2971	1.610	2.000	0.690	EQ	24807-3084
1.573	2.572	0.750	IG	29502-5051	1.614	2.402	0.750	IG	29502-4825
1.573	3.250	0.625	EQ	24801-3241	1.625	1.875	0.109	71	26001-6226
1.574	2.440	0.433	26R1	24620-0729	1.625	2.000	0.109	71	26001-6227

All dimensions are in inches. Preferred sizes are indicated with **bold** type face.

Sizes listed are for standard nitrile elements, except Models 25 and 62 which have PTFE elements. Other material available on inquiry only.

Oil Seals by Shaft Size

Garlock

SHAFT	BORE	WIDTH	MODEL NO.	PART NO.	SHAFT	BORE	WIDTH	MODEL NO.	PART NO.
1.625	2.125	0.250	76	26193-9971	1.625	2.500	0.375	66	21527-0769
1.625	2.125	0.625	EQ	24802-5360	1.625	2.500	0.500	63	21158-0771
1.625	2.125	0.625	IG	29507-5360	1.625	2.500	0.500	EQ	24801-0717
1.625	2.125	0.690	EQ	24807-4079	1.625	2.500	0.625	EQ	24801-2987
1.625	2.187	0.375	61	24060-0758	1.625	2.500	0.625	EQ	24802-2987
1.625	2.188	0.375	26	24600-0758	1.625	2.500	0.687	63R1	23547-6860
1.625	2.250	0.312	61	24060-1371	1.625	2.500	0.687	63T2	23550-6860
1.625	2.250	0.375	61	24060-1092	1.625	2.500	0.750	IG	29502-4327
1.625	2.250	0.375	61	24061-1092	1.625	2.502	0.312	3	28003-1590
1.625	2.250	0.625	IG	29507-5290	1.625	2.525	0.750	IG	29502-4828
1.625	2.250	0.690	EQ	24807-2164	1.625	2.562	0.500	63	21158-8615
1.625	2.374	0.312	3	28003-1576	1.625	2.623	0.250	92	27063-5249
1.625	2.374	0.625	EQ	24802-3321	1.625	2.623	0.312	3	28003-1598
1.625	2.375	0.250	71	26001-6230	1.625	2.625	0.375	61	24060-0772
1.625	2.375	0.312	61	24060-1372	1.625	2.625	0.375	62	21702-0772
1.625	2.375	0.375	26	24600-0760	1.625	2.625	0.375	63	21158-0772
1.625	2.375	0.375	26R1	24620-0760	1.625	2.625	0.375	66	21527-0772
1.625	2.375	0.375	61	24060-0760	1.625	2.625	0.437	63	21158-0773
1.625	2.375	0.375	61	24061-0760	1.625	2.625	0.500	62	21702-0774
1.625	2.375	0.375	61	24062-0760	1.625	2.625	0.500	63	21158-0774
1.625	2.375	0.375	62	21702-0760	1.625	2.625	0.625	EQ	24802-1089
1.625	2.375	0.375	63	21158-0760	1.625	2.625	0.625	IG	29507-1089
1.625	2.375	0.375	66	21527-0760	1.625	2.625	0.687	63R1	23547-4766
1.625	2.375	0.375	94	27223-0760	1.625	2.625	0.750	IG	29500-4144
1.625	2.375	0.437	63	21158-0761	1.625	2.625	0.750	IG	29502-4144
1.625	2.375	0.500	62	21702-0762	1.625	2.656	0.375	63	21158-3884
1.625	2.375	0.500	63	21158-0762	1.625	2.686	0.375	63	21158-0775
1.625	2.375	0.625	EQ	24801-1915	1.625	2.686	0.375	66	21527-0775
1.625	2.375	0.625	EQ	24802-1915	1.625	2.686	0.500	63	21158-0777
1.625	2.375	0.687	63R2	23548-6516	1.625	2.687	0.500	26	24600-1302
1.625	2.375	0.750	IG	29502-4615	1.625	2.750	0.375	26	24600-0778
1.625	2.437	0.375	63	21158-0763	1.625	2.750	0.375	63	21158-0778
1.625	2.437	0.375	66	21527-0763	1.625	2.750	0.375	66	21527-0778
1.625	2.437	0.437	63	21158-0764	1.625	2.750	0.500	63	21158-0780
1.625	2.437	0.469	63	21158-5393	1.625	2.750	0.594	63F1	23078-9739
1.625	2.437	0.500	63	21158-0765	1.625	2.750	0.625	EQ	24801-0770
1.625	2.437	0.500	EQ	24801-1748	1.625	2.750	0.625	EQ	24802-0770
1.625	2.437	0.594	63F1	23078-7152	1.625	2.756	0.375	63	21158-0781
1.625	2.437	0.625	EQ	24801-1270	1.625	2.756	0.375	66	21527-0781
1.625	2.437	0.687	63T2	23550-7044	1.625	2.756	0.437	63	21158-0782
1.625	2.437	0.750	IG	29502-4679	1.625	2.783	0.375	63	21158-0784
1.625	2.438	0.375	26	24600-1301	1.625	2.783	0.375	66	21527-0784
1.625	2.438	0.625	EQ	24802-1270	1.625	2.800	0.625	EQ	24802-3576
1.625	2.441	0.375	63	21158-7767	1.625	2.835	0.375	63	21158-8081
1.625	2.441	0.594	63F1	23078-9943	1.625	2.875	0.375	63	21158-0787
1.625	2.497	0.375	63	21158-0766	1.625	2.875	0.375	66	21527-0787
1.625	2.497	0.375	66	21527-0766	1.625	2.875	0.437	61	24060-0788
1.625	2.497	0.437	63	21158-0767	1.625	2.875	0.437	63	21158-0788
1.625	2.497	0.500	63	21158-0768	1.625	2.875	0.500	26	24600-0876
1.625	2.500	0.312	61	24060-1373	1.625	2.875	0.500	63	21158-0789
1.625	2.500	0.375	62	21702-0769	1.625	2.875	0.687	63R1	23547-8266
1.625	2.500	0.375	63	21158-0769	1.625	2.875	0.687	63T2	23550-8266

All dimensions are in inches. Preferred sizes are indicated with **bold** type face.

Sizes listed are for standard nitrile elements, except Models 25 and 62 which have PTFE elements. Other material available on inquiry only.

SHAFT	BORE	WIDTH	MODEL NO.	PART NO.	SHAFT	BORE	WIDTH	MODEL NO.	PART NO.
1.625	3.750	0.375	94	27223-7636	1.687	2.500	0.375	92	27063-0835
1.653	2.165	0.354	26	24600-0759	1.687	2.500	0.437	63	21158-0836
1.653	2.165	0.393	26	24600-0791	1.687	2.500	0.500	62	21702-0837
1.653	2.441	0.315	26	24600-1096	1.687	2.500	0.500	63	21158-0837
1.654	2.165	0.625	IG	29507-4938	1.687	2.500	0.500	EQ	24801-0790
1.654	2.362	0.276	92	27063-0452	1.687	2.500	0.594	63F1	23078-7254
1.654	2.362	0.394	61	24060-1792	1.687	2.561	0.500	26	24600-0833
1.654	2.441	0.394	61	24060-1793	1.687	2.625	0.375	63	21158-0838
1.654	2.441	0.625	EQ	24801-2918	1.687	2.625	0.375	66	21527-0838
1.654	2.441	0.750	IG	29502-5540	1.687	2.625	0.500	63	21158-0840
1.654	2.559	0.625	EQ	24801-2611	1.687	2.625	0.688	63T2	23550-6934
1.654	2.598	0.625	EQ	24801-2127	1.687	2.686	0.375	62	21702-0841
1.654	2.625	0.750	IG	29502-4439	1.687	2.686	0.375	63	21158-0841
1.654	4.193	0.625	EQ	24802-5448	1.687	2.686	0.375	66	21527-0841
1.654	4.193	0.625	EQ	24802-5448	1.687	2.686	0.437	63	21158-0842
1.656	2.375	0.375	63	21158-0790	1.687	2.686	0.500	62	21702-0843
1.656	2.441	0.375	63	21158-8082	1.687	2.686	0.500	63	21158-0843
1.656	2.500	0.375	63	21158-0799	1.687	2.686	0.687	63R2	23548-6753
1.656	2.500	0.594	63F1	23078-5362	1.687	2.686	0.687	63T2	23550-6753
1.656	2.625	0.500	63	21158-0804	1.687	2.750	0.375	63	21158-0844
1.656	2.686	0.375	63	21158-0805	1.687	2.750	0.375	66	21527-0844
1.656	2.686	0.500	63	21158-0807	1.687	2.750	0.437	26	24600-1305
1.656	2.750	0.375	63	21158-0808	1.687	2.750	0.437	63	21158-0845
1.656	2.750	0.500	63	21158-0810	1.687	2.750	0.500	63	21158-0846
1.656	2.835	0.375	63	21158-8083	1.687	2.750	0.687	63R2	23548-6554
1.656	2.875	0.375	63	21158-0817	1.687	2.750	0.687	63T2	23550-6554
1.656	2.997	0.375	63	21158-0820	1.687	2.756	0.375	63	21158-0847
1.685	2.685	0.625	IG	29507-5200	1.687	2.756	0.375	66	21527-0847
1.685	3.185	0.625	IG	29507-5519	1.687	2.756	0.437	63	21158-0848
1.687	2.062	0.690	EQ	24807-3495	1.687	2.756	0.500	63	21158-0849
1.687	2.125	0.187	76	26193-7527	1.687	2.835	0.375	63	21158-7126
1.687	2.125	0.187	92	27063-7527	1.687	2.875	0.375	63	21158-0853
1.687	2.250	0.250	76	26193-9962	1.687	2.875	0.375	66	21527-0853
1.687	2.375	0.375	62	21702-0826	1.687	2.875	0.437	63	21158-0854
1.687	2.375	0.375	63	21158-0826	1.687	2.875	0.500	63	21158-0855
1.687	2.375	0.375	66	21527-0826	1.687	2.875	0.594	63F1	23078-9667
1.687	2.375	0.437	63	21158-0827	1.687	3.000	0.375	62	21702-0859
1.687	2.375	0.500	63	21158-0828	1.687	3.000	0.375	63	21158-0859
1.687	2.375	0.687	63R1	23547-7569	1.687	3.000	0.375	66	21527-0859
1.687	2.375	0.687	63T2	23550-7569	1.687	3.000	0.500	63	21158-0861
1.687	2.375	0.690	EQ	24807-3159	1.687	3.000	0.594	63F1	23078-6744
1.687	2.437	0.375	62	21702-0829	1.687	3.000	0.687	63R1	23547-6751
1.687	2.437	0.375	63	21158-0829	1.688	2.125	0.690	EQ	24807-2522
1.687	2.437	0.375	66	21527-0829	1.688	2.313	0.820	IGSPB	29516-7129
1.687	2.437	0.437	63	21158-0830	1.688	2.438	0.375	61	24060-0829
1.687	2.437	0.625	63F1	23078-9234	1.688	2.500	0.375	26	24600-0835
1.687	2.441	0.375	63	21158-7456	1.688	2.500	0.375	61	24060-0835
1.687	2.497	0.375	63	21158-0832	1.688	2.502	0.375	26	24600-0834
1.687	2.497	0.375	66	21527-0832	1.688	2.506	0.625	IG	29507-5408
1.687	2.500	0.375	62	21702-0835	1.688	2.625	0.500	26	24600-0840
1.687	2.500	0.375	63	21158-0835	1.688	2.625	0.750	IG	29502-5415
1.687	2.500	0.375	66	21527-0835	1.688	2.688	0.625	EQ	24801-2723

All dimensions are in inches. Preferred sizes are indicated with **bold** type face.
 Sizes listed are for standard nitrile elements, except Models 25 and 62 which have PTFE elements. Other material available on inquiry only.

Oil Seals by Shaft Size

Garlock

SHAFT	BORE	WIDTH	MODEL NO.	PART NO.	SHAFT	BORE	WIDTH	MODEL NO.	PART NO.
1.688	2.688	0.750	IG	29502-4275	1.750	2.375	0.500	61	24062-1377
1.688	2.750	0.375	61	24060-0844	1.750	2.375	0.625	IG	29507-4183
1.688	2.750	0.625	EQ	24801-1341	1.750	2.375	0.690	EQ	24807-2200
1.688	2.750	0.625	EQ	24802-1341	1.750	2.437	0.375	62	21702-0898
1.688	2.875	0.375	61	24060-0853	1.750	2.437	0.375	63	21158-0898
1.688	3.000	0.375	61	24060-0859	1.750	2.437	0.375	66	21527-0898
1.688	3.437	0.750	IG	29502-5692	1.750	2.437	0.375	67	21528-0898
1.693	2.756	0.315	61	24060-2532	1.750	2.437	0.375	68	21823-0898
1.700	2.437	0.375	62	21702-5315	1.750	2.437	0.437	63	21158-0899
1.716	2.219	0.625	IG	29507-5737	1.750	2.437	0.500	63	21158-0900
1.718	2.561	0.500	63	21158-8484	1.750	2.437	0.625	IG	29507-5401
1.719	2.437	0.375	63	21158-0862	1.750	2.437	0.687	63R2	23548-4671
1.719	2.441	0.375	63	21158-8084	1.750	2.437	0.687	63T2	23550-4671
1.719	2.497	0.375	63	21158-0865	1.750	2.437	0.690	EQ	24807-1780
1.719	2.497	0.500	63	21158-0867	1.750	2.438	0.312	61	24060-1386
1.719	2.500	0.375	63	21158-0868	1.750	2.438	0.375	26	24600-0898
1.719	2.500	0.500	63	21158-0870	1.750	2.441	0.375	62	21702-9620
1.719	2.625	0.375	63	21158-0871	1.750	2.441	0.375	63	21158-9620
1.719	2.625	0.625	EQ	24801-3071	1.750	2.441	0.375	66	21527-9620
1.719	2.625	0.687	63R2	23548-8646	1.750	2.497	0.375	62	21702-0901
1.719	2.686	0.375	62	21702-0874	1.750	2.497	0.375	63	21158-0901
1.719	2.686	0.375	63	21158-0874	1.750	2.497	0.375	66	21527-0901
1.719	2.750	0.375	63	21158-0877	1.750	2.497	0.437	63	21158-0902
1.719	2.750	0.437	63	21158-0878	1.750	2.497	0.500	63	21158-0903
1.719	2.783	0.375	63	21158-0883	1.750	2.500	0.250	92	27063-7082
1.719	2.835	0.375	63	21158-5963	1.750	2.500	0.375	23	25003-0904
1.719	2.875	0.375	63	21158-0886	1.750	2.500	0.375	26	24600-0904
1.719	2.875	0.437	63	21158-0887	1.750	2.500	0.375	61	24060-0904
1.719	2.875	0.500	63	21158-0888	1.750	2.500	0.375	62	21702-0904
1.719	3.000	0.375	63	21158-0892	1.750	2.500	0.375	63	21158-0904
1.719	3.000	0.500	63	21158-0894	1.750	2.500	0.375	66	21527-0904
1.720	2.250	0.690	EQ	24807-3784	1.750	2.500	0.375	67	21528-0904
1.725	2.625	0.625	EQ	24802-5494	1.750	2.500	0.375	68	21823-0904
1.726	2.250	0.625	IG	29507-5225	1.750	2.500	0.375	92	27063-0904
1.732	2.250	0.625	IG	29507-4864	1.750	2.500	0.437	63	21158-0905
1.732	2.362	0.354	26R1	24620-0895	1.750	2.500	0.500	62	21702-0906
1.732	2.835	0.375	63	21158-7865	1.750	2.500	0.500	63	21158-0906
1.745	2.745	0.625	IG	29507-5201	1.750	2.500	0.594	63F1	23078-7307
1.750	2.000	0.109	71	26001-6240	1.750	2.500	0.625	EQ	24801-1026
1.750	2.125	0.125	71	26001-6241	1.750	2.500	0.625	EQ	24802-1026
1.750	2.125	0.187	71	26001-6242	1.750	2.500	0.687	63T2	23550-4672
1.750	2.125	0.187	76	26193-6242	1.750	2.500	0.690	EQ	24807-2693
1.750	2.250	0.250	71	26001-7080	1.750	2.500	0.750	IG	29502-4319
1.750	2.250	0.312	76	26193-9675	1.750	2.502	0.312	3	28003-1704
1.750	2.250	0.625	IG	29507-4586	1.750	2.563	0.500	61	24060-1409
1.750	2.250	0.690	EQ	24807-3952	1.750	2.623	0.312	3	28003-1714
1.750	2.312	0.625	IG	29507-5319	1.750	2.625	0.312	26	24600-2456
1.750	2.375	0.250	71	26001-7081	1.750	2.625	0.375	61	24060-0907
1.750	2.375	0.312	61	24060-9822	1.750	2.625	0.375	62	21702-0907
1.750	2.375	0.312	63	21158-9822	1.750	2.625	0.375	63	21158-0907
1.750	2.375	0.312	91	27023-9822	1.750	2.625	0.375	66	21527-0907
1.750	2.375	0.375	61	24060-0813	1.750	2.625	0.437	63	21158-0908

All dimensions are in inches. Preferred sizes are indicated with **bold** type face.

Sizes listed are for standard nitrile elements, except Models 25 and 62 which have PTFE elements. Other material available on inquiry only.

SHAFT	BORE	WIDTH	MODEL NO.	PART NO.	SHAFT	BORE	WIDTH	MODEL NO.	PART NO.
1.750	2.625	0.500	26R1	24620-0909	1.750	2.812	0.312	61	24061-2223
1.750	2.625	0.500	62	21702-0909	1.750	2.812	0.375	61	24061-2434
1.750	2.625	0.500	63	21158-0909	1.750	2.835	0.375	63	21158-6725
1.750	2.625	0.500	EQ	24801-0909	1.750	2.875	0.375	63	21158-0922
1.750	2.625	0.562	EQ	24802-0990	1.750	2.875	0.375	66	21527-0922
1.750	2.625	0.594	63F1	23078-6028	1.750	2.875	0.375	67	21528-0922
1.750	2.625	0.625	EQ	24801-1062	1.750	2.875	0.375	68	21823-0922
1.750	2.625	0.625	EQ	24802-1062	1.750	2.875	0.437	63	21158-0923
1.750	2.625	0.625	IG	29507-1062	1.750	2.875	0.500	61	24060-0924
1.750	2.625	0.687	63R2	23548-7228	1.750	2.875	0.500	63	21158-0924
1.750	2.625	0.690	EQ	24807-3739	1.750	2.875	0.500	EQ	24801-0879
1.750	2.625	0.750	IG	29502-4323	1.750	2.875	0.500	EQ	24802-0879
1.750	2.656	0.625	23	25003-8721	1.750	2.875	0.625	EQ	24801-0998
1.750	2.686	0.375	63	21158-0910	1.750	2.875	0.625	EQ	24802-0998
1.750	2.686	0.375	66	21527-0910	1.750	2.875	0.625	IG	29507-0998
1.750	2.686	0.437	63	21158-0911	1.750	2.875	0.625	IG	29519-0998
1.750	2.686	0.500	63	21158-0912	1.750	2.875	0.750	IG	29500-4107
1.750	2.700	0.750	IG	29502-5471	1.750	2.875	0.750	IG	29502-4107
1.750	2.716	0.625	EQ	24802-3257	1.750	2.997	0.375	63	21158-0925
1.750	2.718	0.359	63	21158-7459	1.750	2.997	0.375	66	21527-0925
1.750	2.750	0.312	3	28003-1726	1.750	2.997	0.375	67	21528-0925
1.750	2.750	0.312	26R1	24620-0896	1.750	2.997	0.500	63	21158-0927
1.750	2.750	0.375	26	24600-1767	1.750	3.000	0.375	61	24060-0928
1.750	2.750	0.375	61	24060-0913	1.750	3.000	0.375	62	21702-0928
1.750	2.750	0.375	61	24061-0913	1.750	3.000	0.375	63	21158-0928
1.750	2.750	0.375	62	21702-0913	1.750	3.000	0.375	66	21527-0928
1.750	2.750	0.375	63	21158-0913	1.750	3.000	0.375	67	21528-0928
1.750	2.750	0.375	66	21527-0913	1.750	3.000	0.375	68	21823-0928
1.750	2.750	0.375	67	21528-0913	1.750	3.000	0.500	63	21158-0930
1.750	2.750	0.375	68	21823-0913	1.750	3.000	0.500	EQ	24801-0720
1.750	2.750	0.437	63	21158-0914	1.750	3.000	0.594	63F1	23078-7555
1.750	2.750	0.500	26	24600-0639	1.750	3.000	0.687	63R1	23547-6522
1.750	2.750	0.500	62	21702-0915	1.750	3.000	0.687	63R2	23548-6522
1.750	2.750	0.500	63	21158-0915	1.750	3.000	0.687	63T2	23550-6522
1.750	2.750	0.500	EQ	24801-0639	1.750	3.062	0.375	62	21702-0931
1.750	2.750	0.594	63F1	23078-5005	1.750	3.062	0.375	63	21158-0931
1.750	2.750	0.625	EQ	24801-1744	1.750	3.062	0.375	66	21527-0931
1.750	2.750	0.625	EQ	24802-1744	1.750	3.062	0.500	63	21158-0933
1.750	2.750	0.625	IG	29507-1744	1.750	3.125	0.375	63	21158-6724
1.750	2.750	0.687	63R1	23547-6832	1.750	3.125	0.375	66	21527-6724
1.750	2.750	0.687	63R2	23548-6832	1.750	3.125	0.625	EQ	24802-3975
1.750	2.750	0.687	63T2	23550-6832	1.750	3.150	0.375	63	21158-8085
1.750	2.750	0.750	63F1	23078-5256	1.750	3.189	0.375	66	21527-7282
1.750	2.750	0.750	IG	29500-4145	1.750	3.189	0.500	23	25003-3885
1.750	2.750	0.750	IG	29502-4145	1.750	3.189	0.500	63	21158-3885
1.750	2.756	0.375	63	21158-0916	1.750	3.189	0.500	123	21016-3885
1.750	2.756	0.375	66	21527-0916	1.750	3.347	0.375	94	27223-6256
1.750	2.756	0.500	63	21158-0918	1.750	3.543	0.437	66	21527-4899
1.750	2.776	0.750	EQSPB	24816-4446	1.750	3.625	0.437	63	21158-8456
1.750	2.783	0.375	63	21158-0919	1.750	3.625	0.500	66	21527-4606
1.750	2.783	0.375	66	21527-0919	1.750	3.750	0.625	EQ	24801-3270
1.750	2.783	0.500	63	21158-0921	1.750	3.938	0.750	IG	29502-4348

All dimensions are in inches. Preferred sizes are indicated with **bold** type face.

Sizes listed are for standard nitrile elements, except Models 25 and 62 which have PTFE elements. Other material available on inquiry only.

Oil Seals by Shaft Size

Garlock

SHAFT	BORE	WIDTH	MODEL NO.	PART NO.	SHAFT	BORE	WIDTH	MODEL NO.	PART NO.
1.750	3.968	0.500	EQ	24801-0836	1.781	2.441	0.375	63	21158-7761
1.754	2.754	0.625	IG	29507-5217	1.781	2.497	0.375	63	21158-0934
1.754	2.754	0.750	IG	29502-5167	1.781	2.497	0.375	66	21527-0934
1.755	3.358	0.750	IG	29502-4546	1.781	2.500	0.375	62	21702-0937
1.760	2.875	0.750	IG	29502-4692	1.781	2.500	0.375	63	21158-0937
1.761	3.937	0.375	94	27223-8762	1.781	2.500	0.375	66	21527-0937
1.766	2.323	0.625	IG	29507-5138	1.781	2.500	0.690	EQ	24807-1903
1.766	2.559	0.375	63	21158-9223	1.781	2.625	0.375	63	21158-0940
1.766	2.750	0.625	EQ	24802-2292	1.781	2.625	0.375	66	21527-0940
1.766	2.750	0.750	IG	29502-4350	1.781	2.625	0.375	94	27223-0940
1.766	2.953	0.312	94	27223-8004	1.781	2.686	0.500	63	21158-0945
1.768	2.193	0.625	IG	29507-5738	1.781	2.750	0.375	63	21158-0946
1.770	2.834	0.375	26	24600-9538	1.781	2.750	0.375	66	21527-0946
1.770	2.875	0.750	IG	29500-4656	1.781	2.756	0.500	63	21158-0951
1.771	2.521	0.500	EQ	24801-1784	1.781	2.835	0.375	63	21158-8086
1.771	2.568	0.398	26	24600-4633	1.781	2.875	0.375	63	21158-0955
1.771	2.996	0.625	EQ	24802-1804	1.781	2.875	0.375	66	21527-0955
1.771	3.937	0.750	IG	29500-4678	1.781	3.062	0.375	63	21158-0964
1.772	2.165	0.625	IG	29507-4554	1.781	3.062	0.375	66	21527-0964
1.772	2.362	0.276	92	27063-0488	1.781	3.125	0.375	63	21158-0967
1.772	2.362	0.315	61	24060-1796	1.781	3.125	0.375	66	21527-0967
1.772	2.362	0.690	EQ	24807-3149	1.781	3.125	0.500	63	21158-0969
1.772	2.441	0.312	26R1	24620-0935	1.781	3.125	0.625	EQ	24802-1898
1.772	2.441	0.394	26	24600-1097	1.781	3.937	0.375	94	27223-4598
1.772	2.441	0.394	58	21003-1797	1.810	2.875	0.750	IG	29500-5328
1.772	2.441	0.394	61	24060-1797	1.812	2.312	0.625	IG	29507-4414
1.772	2.441	0.625	EQ	24802-4341	1.812	2.375	0.187	71	26001-7083
1.772	2.441	0.690	EQ	24807-1923	1.812	2.497	0.375	63	21158-0970
1.772	2.539	0.748	EQSPB	24816-7063	1.812	2.497	0.500	62	21702-0972
1.772	2.559	0.315	61	24064-1799	1.812	2.497	0.500	63	21158-0972
1.772	2.559	0.394	26	24600-4044	1.812	2.500	0.375	26	24600-0973
1.772	2.559	0.394	61	24060-9223	1.812	2.500	0.375	63	21158-0973
1.772	2.559	0.394	61	24061-9223	1.812	2.500	0.437	63	21158-0974
1.772	2.559	0.394	61	24062-9223	1.812	2.500	0.500	63	21158-0975
1.772	2.559	0.750	IG	29502-5541	1.812	2.625	0.375	26	24600-0976
1.772	2.622	0.500	26	24600-1579	1.812	2.625	0.375	63	21158-0976
1.772	2.622	0.750	IG	29502-5135	1.812	2.625	0.500	63	21158-0978
1.772	2.638	0.500	EQ	24801-1374	1.812	2.686	0.375	63	21158-0979
1.772	2.750	0.750	IG	29502-5594	1.812	2.750	0.375	63	21158-0982
1.772	2.756	0.750	IG	29502-4490	1.812	2.750	0.375	91	27023-0982
1.772	2.835	0.315	92	27063-0512	1.812	2.750	0.500	63	21158-0984
1.772	2.835	0.750	IG	29502-5930	1.812	2.756	0.500	63	21158-0987
1.772	2.953	0.750	IG	29502-4581	1.812	2.758	0.500	63	21158-9633
1.772	2.972	0.748	EQSPB	24816-7064	1.812	2.783	0.375	63	21158-0988
1.772	3.021	0.750	IG	29502-5766	1.812	2.812	0.750	IG	29502-4276
1.772	3.150	0.394	92	27063-0516	1.812	2.835	0.375	63	21158-8088
1.772	3.228	0.710	IGSPB	29516-7130	1.812	2.875	0.375	63	21158-0991
1.772	3.346	0.394	92	27063-0520	1.812	2.875	0.594	63F1	23078-6592
1.772	3.346	0.750	IG	29502-5819	1.812	2.875	0.750	IG	29500-4560
1.772	3.543	0.750	IG	29502-5807	1.812	2.875	0.750	IG	29502-4560
1.773	2.500	0.625	IG	29507-5291	1.812	3.000	0.375	63	21158-0997
1.781	2.437	0.375	63	21158-8405	1.812	3.125	0.375	63	21158-1003

All dimensions are in inches. Preferred sizes are indicated with **bold** type face.

Sizes listed are for standard nitrile elements, except Models 25 and 62 which have PTFE elements. Other material available on inquiry only.

SHAFT	BORE	WIDTH	MODEL NO.	PART NO.	SHAFT	BORE	WIDTH	MODEL NO.	PART NO.
1.812	3.125	0.500	63	21158-1005	1.875	2.625	0.750	IG	29500-4124
1.812	3.150	0.375	63	21158-8089	1.875	2.625	0.750	IG	29502-4124
1.812	3.544	0.500	26	24600-1002	1.875	2.686	0.375	63	21158-1045
1.813	2.625	0.375	61	24060-0976	1.875	2.686	0.375	66	21527-1045
1.813	2.750	0.625	IG	29507-5308	1.875	2.686	0.437	62	21702-1046
1.838	2.750	0.625	EQ	24801-3143	1.875	2.686	0.500	63	21158-1047
1.844	2.500	0.375	63	21158-3887	1.875	2.686	0.687	63T2	23550-5652
1.844	2.625	0.375	63	21158-1006	1.875	2.686	0.750	IG	29502-4330
1.844	2.686	0.375	63	21158-1009	1.875	2.750	0.312	3	28003-1814
1.844	2.750	0.375	63	21158-1012	1.875	2.750	0.375	61	24060-1048
1.844	2.756	0.375	63	21158-1015	1.875	2.750	0.375	62	21702-1048
1.844	2.835	0.375	63	21158-8090	1.875	2.750	0.375	63	21158-1048
1.844	2.875	0.375	63	21158-1021	1.875	2.750	0.375	66	21527-1048
1.844	2.875	0.500	63	21158-1023	1.875	2.750	0.375	67	21528-1048
1.844	3.150	0.375	63	21158-8091	1.875	2.750	0.375	68	21823-1048
1.850	2.559	0.394	92	27063-0522	1.875	2.750	0.500	26	24600-1039
1.873	2.812	0.625	EQ	24802-1398	1.875	2.750	0.500	62	21702-1050
1.875	2.250	0.187	76	26193-6262	1.875	2.750	0.500	63	21158-1050
1.875	2.250	0.625	IG	29507-5747	1.875	2.750	0.625	EQ	24801-1075
1.875	2.375	0.250	71	26001-7084	1.875	2.750	0.625	EQ	24802-1075
1.875	2.375	0.690	EQ	24807-3912	1.875	2.750	0.625	IG	29507-1075
1.875	2.500	0.312	61	24060-1412	1.875	2.750	0.625	IG	29519-1075
1.875	2.500	0.312	61	24061-1412	1.875	2.750	0.687	63R2	23548-8643
1.875	2.500	0.375	61	24060-1418	1.875	2.750	0.750	IG	29500-4110
1.875	2.500	0.375	61	24061-1418	1.875	2.750	0.750	IG	29502-4110
1.875	2.500	0.500	61	24060-1419	1.875	2.756	0.375	63	21158-1051
1.875	2.500	0.500	61	24062-1419	1.875	2.756	0.375	66	21527-1051
1.875	2.500	0.625	IG	29507-5824	1.875	2.756	0.375	67	21528-1051
1.875	2.500	0.690	EQ	24807-3565	1.875	2.756	0.375	68	21823-1051
1.875	2.562	0.690	EQ	24807-3319	1.875	2.756	0.437	63	21158-1052
1.875	2.563	0.974	IGSPB	29516-7080	1.875	2.756	0.500	63	21158-1053
1.875	2.622	0.500	EQ	24801-0848	1.875	2.758	0.625	EQ	24801-3506
1.875	2.623	0.312	3	28003-1802	1.875	2.758	0.625	EQ	24802-3506
1.875	2.625	0.312	26	24600-5844	1.875	2.783	0.375	63	21158-1054
1.875	2.625	0.313	26R1	24620-5844	1.875	2.783	0.375	66	21527-1054
1.875	2.625	0.375	23	25003-1042	1.875	2.812	0.500	EQ	24801-1072
1.875	2.625	0.375	61	24060-1042	1.875	2.835	0.375	26R1	24620-7164
1.875	2.625	0.375	62	21702-1042	1.875	2.835	0.375	63	21158-7164
1.875	2.625	0.375	63	21158-1042	1.875	2.875	0.312	3	28003-1826
1.875	2.625	0.375	66	21527-1042	1.875	2.875	0.312	26	24600-0622
1.875	2.625	0.437	63	21158-1043	1.875	2.875	0.375	61	24060-1057
1.875	2.625	0.500	63	21158-1044	1.875	2.875	0.375	62	21702-1057
1.875	2.625	0.500	EQ	24801-0748	1.875	2.875	0.375	63	21158-1057
1.875	2.625	0.500	EQ	24802-0748	1.875	2.875	0.375	66	21527-1057
1.875	2.625	0.594	63F1	23078-8650	1.875	2.875	0.375	67	21528-1057
1.875	2.625	0.625	EQ	24801-0989	1.875	2.875	0.375	68	21823-1057
1.875	2.625	0.625	EQ	24802-0989	1.875	2.875	0.437	61	24062-1058
1.875	2.625	0.625	IG	29507-0989	1.875	2.875	0.437	63	21158-1058
1.875	2.625	0.625	IG	29519-0989	1.875	2.875	0.500	61	24060-1059
1.875	2.625	0.687	63R2	23548-6546	1.875	2.875	0.500	62	21702-1059
1.875	2.625	0.687	63T2	23550-6546	1.875	2.875	0.500	63	21158-1059
1.875	2.625	0.690	EQ	24807-3343	1.875	2.875	0.500	EQ	24801-1059

All dimensions are in inches. Preferred sizes are indicated with **bold** type face.

Sizes listed are for standard nitrile elements, except Models 25 and 62 which have PTFE elements. Other material available on inquiry only.

Oil Seals by Shaft Size

Garlock

SHAFT	BORE	WIDTH	MODEL NO.	PART NO.	SHAFT	BORE	WIDTH	MODEL NO.	PART NO.
1.875	2.875	0.625	EQ	24801-0792	1.889	2.889	0.625	EQ	24802-3745
1.875	2.875	0.625	EQ	24802-0792	1.890	2.441	0.315	92	27063-0533
1.875	2.875	0.687	63R2	23548-8293	1.890	2.559	0.394	92	27063-0534
1.875	2.875	0.750	IG	29500-3585	1.890	2.559	0.690	EQ	24807-2681
1.875	2.875	0.750	IG	29502-3585	1.890	2.750	0.470	26R1	24620-1079
1.875	2.997	0.375	63	21158-1060	1.890	2.756	0.625	EQ	24802-1935
1.875	2.997	0.375	66	21527-1060	1.890	2.756	0.750	IG	29502-4189
1.875	2.997	0.500	63	21158-1062	1.890	2.835	0.315	92	27063-0558
1.875	2.997	0.625	EQ	24802-1891	1.890	2.835	0.625	EQ	24802-4943
1.875	3.000	0.375	26	24600-1063	1.890	2.890	0.750	IG	29500-5567
1.875	3.000	0.375	62	21702-1063	1.900	3.500	0.750	IG	29502-4356
1.875	3.000	0.375	63	21158-1063	1.906	2.625	0.375	63	21158-1078
1.875	3.000	0.375	66	21527-1063	1.906	2.750	0.375	63	21158-1084
1.875	3.000	0.375	67	21528-1063	1.906	2.752	0.750	IG	29502-5753
1.875	3.000	0.375	68	21823-1063	1.906	2.835	0.375	63	21158-8092
1.875	3.000	0.500	61	24062-1065	1.906	2.875	0.375	63	21158-1093
1.875	3.000	0.500	63	21158-1065	1.906	2.875	0.437	63	21158-1094
1.875	3.000	0.562	63	21158-8258	1.906	3.125	0.375	63	21158-1105
1.875	3.000	0.562	66	21527-8258	1.906	3.150	0.375	63	21158-8093
1.875	3.000	0.594	63F1	23078-2967	1.908	2.875	0.625	EQ	24802-2920
1.875	3.000	0.625	EQ	24801-0706	1.920	3.000	0.750	IG	29502-4716
1.875	3.000	0.625	EQ	24802-0706	1.922	2.875	0.438	61	24060-2514
1.875	3.000	0.625	IG	29507-0706	1.925	3.000	0.750	IG	29502-4664
1.875	3.000	0.687	63T2	23550-8732	1.932	2.625	0.690	EQ	24807-2495
1.875	3.000	0.750	IG	29502-4809	1.932	2.750	0.625	EQ	24801-2038
1.875	3.062	0.375	63	21158-1066	1.932	2.750	0.625	EQ	24802-2038
1.875	3.062	0.375	66	21527-1066	1.932	2.806	0.625	EQ	24802-4521
1.875	3.062	0.500	67	21528-1068	1.932	2.932	0.625	EQ	24802-3290
1.875	3.125	0.375	62	21702-1069	1.936	2.367	0.625	IG	29507-4889
1.875	3.125	0.375	63	21158-1069	1.937	2.375	0.187	71	26001-7085
1.875	3.125	0.375	66	21527-1069	1.937	2.412	0.469	76	26193-5325
1.875	3.125	0.500	63	21158-1071	1.937	2.437	0.312	76	26193-9768
1.875	3.125	0.500	EQ	24802-0819	1.937	2.563	0.875	EQSPB	24816-7041
1.875	3.149	0.375	63	21158-3888	1.937	2.567	0.876	EQSPB	24816-7019
1.875	3.149	0.375	66	21527-3888	1.937	2.625	0.375	26	24600-1114
1.875	3.149	0.375	67	21528-3888	1.937	2.625	0.375	62	21702-1114
1.875	3.149	0.375	68	21823-3888	1.937	2.625	0.375	63	21158-1114
1.875	3.189	0.375	62	21702-1075	1.937	2.625	0.375	66	21527-1114
1.875	3.189	0.375	63	21158-1075	1.937	2.625	0.500	63	21158-1116
1.875	3.189	0.375	66	21527-1075	1.937	2.625	0.687	63R2	23548-7223
1.875	3.189	0.437	61	24060-1076	1.937	2.625	0.687	63T2	23550-7223
1.875	3.189	0.437	63	21158-1076	1.937	2.686	0.375	61	24060-1117
1.875	3.189	0.687	63TB	23549-8292	1.937	2.686	0.375	62	21702-1117
1.875	3.250	0.750	IG	29500-4571	1.937	2.686	0.375	63	21158-1117
1.875	3.543	0.375	26	24600-1067	1.937	2.686	0.375	66	21527-1117
1.875	3.938	0.750	IG	29500-4704	1.937	2.686	0.500	63	21158-1119
1.875	3.938	0.750	IG	29502-4704	1.937	2.686	0.687	63R2	23548-7248
1.878	2.754	0.625	IG	29507-5363	1.937	2.750	0.375	26	24600-1120
1.880	2.625	0.625	IG	29507-5518	1.937	2.750	0.375	63	21158-1120
1.885	2.700	0.500	26R1	24620-5451	1.937	2.750	0.375	66	21527-1120
1.886	2.886	0.625	EQ	24802-3264	1.937	2.750	0.406	23	25003-9519
1.889	2.874	0.625	IG	29507-5270	1.937	2.750	0.500	63	21158-1122

All dimensions are in inches. Preferred sizes are indicated with **bold** type face.

Sizes listed are for standard nitrile elements, except Models 25 and 62 which have PTFE elements. Other material available on inquiry only.

Garlock

Oil Seals by Shaft Size

SHAFT	BORE	WIDTH	MODEL NO.	PART NO.	SHAFT	BORE	WIDTH	MODEL NO.	PART NO.
1.937	2.750	0.625	EQ	24801-1862	1.938	2.438	0.690	EQ	24807-2882
1.937	2.750	0.625	EQ	24802-1862	1.938	2.500	0.375	26	24600-1111
1.937	2.750	0.750	IG	29502-5274	1.938	2.500	0.375	61	24060-2478
1.937	2.756	0.375	63	21158-1123	1.938	2.500	0.625	IG	29507-5703
1.937	2.756	0.375	66	21527-1123	1.938	2.500	0.690	EQ	24807-3413
1.937	2.783	0.500	63	21158-1128	1.938	2.563	0.974	IGSPB	29516-7092
1.937	2.835	0.375	63	21158-4930	1.938	2.623	0.625	IG	29507-5129
1.937	2.875	0.375	62	21702-1129	1.938	2.625	0.375	61	24063-1114
1.937	2.875	0.375	63	21158-1129	1.938	2.688	0.750	IG	29502-5713
1.937	2.875	0.375	66	21527-1129	1.938	2.750	0.375	61	24060-1120
1.937	2.875	0.437	63	21158-1130	1.938	2.812	0.625	EQ	24802-1141
1.937	2.875	0.500	63	21158-1131	1.938	2.875	0.375	61	24060-1129
1.937	2.875	0.687	63R2	23548-4693	1.938	2.875	0.437	26	24600-1130
1.937	2.875	0.687	63T2	23550-4693	1.938	2.875	0.625	EQ	24802-1743
1.937	2.997	0.375	63	21158-1132	1.938	2.875	0.750	IG	29502-4714
1.937	2.997	0.375	66	21527-1132	1.938	2.938	0.625	EQ	24802-2730
1.937	2.997	0.500	63	21158-1134	1.938	2.938	0.750	IG	29502-4277
1.937	2.997	0.687	63R1	23547-9430	1.938	2.996	0.438	26	24600-1124
1.937	3.000	0.375	62	21702-1135	1.938	3.000	0.437	26	24600-1125
1.937	3.000	0.375	63	21158-1135	1.938	3.000	0.625	EQ	24802-1123
1.937	3.000	0.375	66	21527-1135	1.938	3.149	0.750	IG	29502-5570
1.937	3.000	0.375	94	27223-1135	1.938	3.188	0.469	26	24600-1126
1.937	3.000	0.437	63	21158-1136	1.938	3.188	0.500	26	24600-1149
1.937	3.000	0.500	26	24600-1137	1.949	3.031	0.709	26R1	24620-3715
1.937	3.000	0.500	63	21158-1137	1.950	3.000	0.750	IG	29502-4688
1.937	3.000	0.687	63R1	23547-6469	1.962	2.962	0.750	IG	29502-4591
1.937	3.000	0.687	63T2	23550-6469	1.962	3.188	0.469	26	24600-1155
1.937	3.000	0.750	IG	29502-4120	1.962	3.188	0.469	62	21702-1155
1.937	3.062	0.375	63	21158-1138	1.963	3.544	0.500	26	24600-1157
1.937	3.062	0.375	66	21527-1138	1.965	3.000	0.750	IG	29502-4665
1.937	3.062	0.437	63	21158-1139	1.967	2.967	0.625	EQ	24802-3266
1.937	3.062	0.500	63	21158-1140	1.967	2.967	0.625	IG	29507-3266
1.937	3.125	0.375	63	21158-1141	1.967	2.967	0.750	IG	29502-5168
1.937	3.125	0.375	66	21527-1141	1.968	2.718	0.750	IG	29502-4880
1.937	3.125	0.437	63	21158-1142	1.968	2.834	0.472	26R1	24620-1107
1.937	3.125	0.500	63	21158-1143	1.968	2.875	0.625	EQ	24802-1760
1.937	3.125	0.625	EQ	24802-2108	1.968	2.935	0.625	EQ	24802-2480
1.937	3.147	0.375	63	21158-1144	1.968	2.952	0.500	EQ	24801-1127
1.937	3.147	0.375	66	21527-1144	1.968	2.953	0.625	EQ	24802-1197
1.937	3.150	0.375	63	21158-8094	1.969	2.441	0.276	26R1	24620-1106
1.937	3.189	0.375	63	21158-1147	1.969	2.559	0.315	92	27063-0563
1.937	3.189	0.375	66	21527-1147	1.969	2.559	0.354	26R1	24620-7654
1.937	3.189	0.437	63	21158-1148	1.969	2.559	0.394	61	24060-1814
1.937	3.189	0.500	63	21158-1149	1.969	2.559	0.394	61	24061-1814
1.937	3.250	0.375	26	24600-3308	1.969	2.559	0.690	EQ	24807-3431
1.937	3.250	0.375	26R1	24620-3308	1.969	2.638	0.690	EQ	24807-2155
1.937	3.250	0.375	94	27223-9086	1.969	2.677	0.315	92	27063-0567
1.937	3.350	0.500	63	21158-3889	1.969	2.677	0.354	26R1	24620-1108
1.937	3.350	0.687	63R2	23548-6792	1.969	2.677	0.625	IG	29507-4945
1.937	3.544	0.375	94	27223-6266	1.969	2.677	0.690	EQ	24807-1846
1.937	3.548	0.375	26R1	24620-1109	1.969	2.686	0.375	62	21702-1150
1.938	2.412	0.625	IG	29507-5547	1.969	2.686	0.375	63	21158-1150

All dimensions are in inches. Preferred sizes are indicated with **bold** type face.

Sizes listed are for standard nitrile elements, except Models 25 and 62 which have PTFE elements. Other material available on inquiry only.

Oil Seals by Shaft Size

Garlock

SHAFT	BORE	WIDTH	MODEL NO.	PART NO.	SHAFT	BORE	WIDTH	MODEL NO.	PART NO.
1.969	2.686	0.375	66	21527-1150	1.969	3.250	0.437	61	24060-2082
1.969	2.686	0.594	63F1	23078-5544	1.969	3.543	0.394	26R1	24620-1953
1.969	2.688	0.375	61	24061-2258	1.969	3.543	0.625	EQ	24802-3600
1.969	2.690	0.625	IG	29507-5554	1.969	3.543	0.750	IG	29502-4553
1.969	2.750	0.375	61	24060-1153	1.969	4.331	0.375	26	24600-2621
1.969	2.750	0.375	62	21702-1153	1.969	4.331	0.375	26R1	24620-2621
1.969	2.750	0.375	63	21158-1153	1.969	4.331	0.375	94	27223-8005
1.969	2.750	0.375	66	21527-1153	1.980	2.875	0.625	EQ	24802-3524
1.969	2.750	0.437	63	21158-1154	1.998	2.500	0.625	IG	29507-5318
1.969	2.756	0.375	61	24060-1156	2.000	2.250	0.109	71	26001-6267
1.969	2.756	0.375	63	21158-1156	2.000	2.375	0.187	71	26001-7530
1.969	2.756	0.375	66	21527-1156	2.000	2.375	0.187	76	26193-7530
1.969	2.756	0.394	26	24600-1104	2.000	2.375	0.250	61	24060-7086
1.969	2.756	0.625	EQ	24801-3225	2.000	2.375	0.250	71	26001-7086
1.969	2.756	0.690	EQ	24807-3229	2.000	2.375	0.625	IG	29507-5744
1.969	2.756	0.750	IG	29502-4819	2.000	2.500	0.250	92	27063-9013
1.969	2.835	0.315	92	27063-0571	2.000	2.500	0.375	61	24060-1421
1.969	2.835	0.375	61	24060-6656	2.000	2.500	0.625	IG	29507-5502
1.969	2.835	0.375	61	24064-6656	2.000	2.500	0.690	EQ	24807-2336
1.969	2.835	0.375	63	21158-6656	2.000	2.625	0.312	26	24600-4582
1.969	2.835	0.375	66	21527-6656	2.000	2.625	0.312	61	24060-4582
1.968	2.835	0.394	58	21003-2902	2.000	2.625	0.312	76	26193-4582
1.969	2.835	0.625	EQ	24801-4947	2.000	2.625	0.375	61	24060-1429
1.969	2.875	0.375	62	21702-1162	2.000	2.625	0.375	61	24061-1429
1.969	2.875	0.375	63	21158-1162	2.000	2.625	0.625	IG	29507-4539
1.969	2.875	0.375	66	21527-1162	2.000	2.670	0.690	EQ	24807-4851
1.969	2.875	0.500	63	21158-1164	2.000	2.686	0.375	62	21702-1186
1.969	2.875	0.687	63F1	23078-5215	2.000	2.686	0.375	63	21158-1186
1.969	2.953	0.315	61	24061-2422	2.000	2.686	0.375	66	21527-1186
1.969	2.953	0.750	IG	29502-4700	2.000	2.686	0.375	67	21528-1186
1.969	2.992	0.750	IG	29502-5632	2.000	2.686	0.375	68	21823-1186
1.969	2.997	0.437	63	21158-1166	2.000	2.686	0.437	63	21158-1187
1.969	2.997	0.500	63	21158-1167	2.000	2.686	0.500	63	21158-1188
1.969	3.000	0.375	62	21702-1168	2.000	2.686	0.687	63R2	23548-6608
1.969	3.000	0.375	63	21158-1168	2.000	2.686	0.687	68R2	23727-6608
1.969	3.000	0.375	66	21527-1168	2.000	2.690	0.690	EQ	24807-3297
1.969	3.000	0.500	63	21158-1170	2.000	2.710	0.690	EQ	24807-1361
1.969	3.125	0.375	63	21158-1174	2.000	2.712	0.625	IG	29507-5151
1.969	3.125	0.375	66	21527-1174	2.000	2.715	0.438	26	24600-1173
1.969	3.147	0.375	63	21158-1177	2.000	2.716	0.375	63	21158-1197
1.969	3.147	0.375	66	21527-1177	2.000	2.716	0.690	EQ	24807-4677
1.969	3.150	0.315	26	24600-1103	2.000	2.745	0.375	63	21158-1211
1.969	3.150	0.375	61	24060-7415	2.000	2.750	0.312	3	28003-2023
1.969	3.150	0.375	61	24061-7415	2.000	2.750	0.312	61	24060-1431
1.969	3.150	0.375	63	21158-7415	2.000	2.750	0.375	25	25058-1189
1.969	3.150	0.625	EQ	24802-1975	2.000	2.750	0.375	26	24600-1972
1.969	3.189	0.375	63	21158-1180	2.000	2.750	0.375	26R1	24620-1189
1.969	3.189	0.375	66	21527-1180	2.000	2.750	0.375	61	24060-1189
1.969	3.189	0.625	EQ	24801-2969	2.000	2.750	0.375	62	21702-1189
1.969	3.246	0.375	63	21158-1183	2.000	2.750	0.375	63	21158-1189
1.969	3.246	0.375	66	21527-1183	2.000	2.750	0.375	66	21527-1189
1.969	3.246	0.500	63	21158-1185	2.000	2.750	0.375	67	21528-1189

All dimensions are in inches. Preferred sizes are indicated with **bold** type face.

Sizes listed are for standard nitrile elements, except Models 25 and 62 which have PTFE elements. Other material available on inquiry only.

SHAFT	BORE	WIDTH	MODEL NO.	PART NO.	SHAFT	BORE	WIDTH	MODEL NO.	PART NO.
2.000	2.750	0.375	68	21823-1189	2.000	3.000	0.375	25	25058-1204
2.000	2.750	0.437	61	24060-1190	2.000	3.000	0.375	26	24600-1204
2.000	2.750	0.437	61	24062-1190	2.000	3.000	0.375	61	24060-1204
2.000	2.750	0.437	63	21158-1190	2.000	3.000	0.375	62	21702-1204
2.000	2.750	0.438	26	24600-1190	2.000	3.000	0.375	63	21158-1204
2.000	2.750	0.500	26	24600-1191	2.000	3.000	0.375	66	21527-1204
2.000	2.750	0.500	61	24062-1191	2.000	3.000	0.375	67	21528-1204
2.000	2.750	0.500	61	24063-1191	2.000	3.000	0.375	68	21823-1204
2.000	2.750	0.500	62	21702-1191	2.000	3.000	0.437	25	25058-1205
2.000	2.750	0.500	63	21158-1191	2.000	3.000	0.437	61	24060-1205
2.000	2.750	0.625	63F1	23078-5283	2.000	3.000	0.437	61	24061-1205
2.000	2.750	0.625	EQ	24802-1249	2.000	3.000	0.437	63	21158-1205
2.000	2.750	0.625	IG	29507-1249	2.000	3.000	0.500	23	25003-1206
2.000	2.750	0.687	63F1	23078-7563	2.000	3.000	0.500	26	24600-1206
2.000	2.750	0.687	63R1	23547-7563	2.000	3.000	0.500	62	21702-1206
2.000	2.750	0.687	63R2	23548-7563	2.000	3.000	0.500	63	21158-1206
2.000	2.750	0.687	63T2	23550-7563	2.000	3.000	0.594	63F1	23078-6904
2.000	2.750	0.687	66R2	23702-7563	2.000	3.000	0.594	63T2	23550-6904
2.000	2.750	0.750	IG	29502-4326	2.000	3.000	0.625	EQ	24801-1206
2.000	2.756	0.375	63	21158-1192	2.000	3.000	0.625	EQ	24801-1350
2.000	2.756	0.375	66	21527-1192	2.000	3.000	0.625	EQ	24802-1350
2.000	2.756	0.437	63	21158-1193	2.000	3.000	0.625	IG	29507-1350
2.000	2.756	0.500	63	21158-1194	2.000	3.000	0.687	63R1	23547-6438
2.000	2.783	0.375	26	24600-1195	2.000	3.000	0.687	63R2	23548-6438
2.000	2.783	0.375	63	21158-1195	2.000	3.000	0.687	63T2	23550-6438
2.000	2.783	0.375	66	21527-1195	2.000	3.000	0.750	EQ	24802-3349
2.000	2.783	0.437	63	21158-1196	2.000	3.000	0.750	IG	29500-3349
2.000	2.835	0.375	63	21158-8111	2.000	3.000	0.750	IG	29502-3349
2.000	2.855	0.625	EQ	24802-3560	2.000	3.062	0.375	63	21158-1207
2.000	2.875	0.312	3	28003-2035	2.000	3.062	0.375	66	21527-1207
2.000	2.875	0.375	26	24600-1198	2.000	3.062	0.500	63	21158-1209
2.000	2.875	0.375	61	24060-1198	2.000	3.062	0.594	63F1	23078-9666
2.000	2.875	0.375	63	21158-1198	2.000	3.125	0.375	62	21702-1210
2.000	2.875	0.375	66	21527-1198	2.000	3.125	0.375	63	21158-1210
2.000	2.875	0.375	67	21528-1198	2.000	3.125	0.375	66	21527-1210
2.000	2.875	0.375	68	21823-1198	2.000	3.125	0.375	123	21016-1210
2.000	2.875	0.437	63	21158-1199	2.000	3.125	0.500	63	21158-1212
2.000	2.875	0.500	63	21158-1200	2.000	3.125	0.625	EQ	24801-2001
2.000	2.875	0.594	63F1	23078-7099	2.000	3.125	0.625	EQ	24802-2001
2.000	2.875	0.625	EQ	24801-1406	2.000	3.125	0.687	63T2	23550-5053
2.000	2.875	0.625	EQ	24802-1406	2.000	3.125	0.750	IG	29502-4217
2.000	2.875	0.687	63R2	23548-4670	2.000	3.147	0.375	63	21158-1213
2.000	2.875	0.687	63T2	23550-4670	2.000	3.147	0.375	66	21527-1213
2.000	2.882	0.687	63T2	23550-5778	2.000	3.147	0.500	63	21158-1215
2.000	2.884	0.625	EQ	24802-3541	2.000	3.150	0.375	63	21158-8097
2.000	2.997	0.375	26R1	24620-1201	2.000	3.150	0.375	66	21527-8097
2.000	2.997	0.375	62	21702-1201	2.000	3.188	0.438	26	24600-1217
2.000	2.997	0.375	63	21158-1201	2.000	3.189	0.375	63	21158-1216
2.000	2.997	0.375	66	21527-1201	2.000	3.189	0.375	66	21527-1216
2.000	2.997	0.500	63	21158-1203	2.000	3.189	0.437	63	21158-1217
2.000	2.997	0.687	63R1	23547-5568	2.000	3.189	0.500	63	21158-1218
2.000	3.000	0.375	23	25003-1204	2.000	3.189	0.687	63R2	23548-6706

All dimensions are in inches. Preferred sizes are indicated with **bold** type face. Sizes listed are for standard nitrile elements, except Models 25 and 62 which have PTFE elements. Other material available on inquiry only.

Oil Seals by Shaft Size

Garlock

SHAFT	BORE	WIDTH	MODEL NO.	PART NO.	SHAFT	BORE	WIDTH	MODEL NO.	PART NO.
2.000	3.246	0.375	63	21158-1219	2.062	2.997	0.375	66	21527-1255
2.000	3.246	0.375	66	21527-1219	2.062	2.997	0.687	63R2	23548-9621
2.000	3.246	0.500	63	21158-1221	2.062	3.000	0.375	26	24600-1258
2.000	3.246	0.687	63R2	23548-4866	2.062	3.000	0.375	26R1	24620-1258
2.000	3.246	0.687	63T2	23550-4866	2.062	3.000	0.375	63	21158-1258
2.000	3.250	0.437	61	24060-1446	2.062	3.000	0.375	66	21527-1258
2.000	3.250	0.750	IG	29502-5619	2.062	3.000	0.500	26	24600-1260
2.000	3.347	0.375	63	21158-8098	2.062	3.000	0.500	63	21158-1260
2.000	3.375	0.375	26	24600-1182	2.062	3.000	0.594	63F1	23078-7145
2.000	3.375	0.500	61	24060-3892	2.062	3.000	0.625	EQ	24802-1225
2.000	3.375	0.500	63	21158-3892	2.062	3.000	0.750	IG	29502-4119
2.000	3.375	0.687	63R2	23548-6536	2.062	3.062	0.375	26	24600-1261
2.000	3.500	0.375	61	24060-1458	2.062	3.062	0.375	63	21158-1261
2.000	3.500	0.625	EQ	24802-5096	2.062	3.062	0.375	66	21527-1261
2.000	3.544	0.375	76	26193-7694	2.062	3.062	0.375	94	27223-1261
2.000	3.750	0.500	76	26193-8186	2.062	3.062	0.500	63	21158-1263
2.015	3.000	0.750	IG	29502-5160	2.062	3.062	0.687	63R1	23547-5476
2.027	2.626	0.625	IG	29507-5651	2.062	3.125	0.375	63	21158-1264
2.031	2.783	0.375	63	21158-3893	2.062	3.125	0.375	66	21527-1264
2.031	2.835	0.375	63	21158-8099	2.062	3.125	0.500	63	21158-1266
2.031	2.997	0.375	63	21158-1225	2.062	3.125	0.625	EQ	24802-2115
2.031	3.000	0.375	63	21158-1228	2.062	3.125	0.750	IG	29502-5634
2.031	3.062	0.375	63	21158-1231	2.062	3.147	0.375	63	21158-1267
2.031	3.125	0.375	63	21158-1234	2.062	3.147	0.375	66	21527-1267
2.031	3.150	0.344	63	21158-3896	2.062	3.150	0.375	63	21158-8350
2.031	3.150	0.375	63	21158-8348	2.062	3.187	0.703	63R1	23547-5702
2.031	3.189	0.375	63	21158-1240	2.062	3.189	0.375	63	21158-1270
2.031	3.347	0.375	63	21158-8349	2.062	3.189	0.375	66	21527-1270
2.031	3.350	0.375	63	21158-1249	2.062	3.189	0.594	63F1	23078-4945
2.047	2.677	0.315	92	27063-0572	2.062	3.250	0.375	63	21158-1276
2.047	2.677	0.625	IG	29507-4948	2.062	3.250	0.375	66	21527-1276
2.047	2.750	0.690	EQ	24807-4713	2.062	3.250	0.500	63	21158-1278
2.047	2.835	0.315	92	27063-0573	2.062	3.347	0.375	63	21158-4975
2.047	2.953	0.625	EQ	24802-4660	2.062	3.350	0.375	63	21158-1279
2.047	3.150	0.750	IG	29502-5533	2.062	3.350	0.375	66	21527-1279
2.053	3.000	0.750	IG	29502-4489	2.062	3.500	0.375	63	21158-9571
2.060	3.060	0.625	EQ	24802-3083	2.062	3.625	0.625	EQ	24802-4057
2.062	2.661	0.187	92	27063-9537	2.063	2.625	0.375	61	24060-1464
2.062	2.783	0.375	63	21158-3897	2.063	2.823	0.974	IGSPB	29516-7078
2.062	2.783	0.375	66	21527-3897	2.063	2.875	0.375	61	24060-1466
2.062	2.835	0.375	63	21158-8100	2.063	3.063	0.625	EQ	24802-2735
2.062	2.875	0.375	62	21702-1252	2.063	3.063	0.750	IG	29502-4278
2.062	2.875	0.375	63	21158-1252	2.065	3.000	0.750	IG	29502-4335
2.062	2.875	0.375	66	21527-1252	2.065	3.065	0.625	EQ	24802-4103
2.062	2.875	0.437	63	21158-1253	2.075	3.189	0.375	62	21702-1648
2.062	2.875	0.468	26	24600-1224	2.094	2.875	0.375	63	21158-1282
2.062	2.875	0.500	63	21158-1254	2.094	2.997	0.375	63	21158-1285
2.062	2.875	0.687	63R1	23547-7346	2.094	3.062	0.375	63	21158-1291
2.062	2.875	0.750	IG	29502-5705	2.094	3.147	0.375	63	21158-1297
2.062	2.996	0.625	EQ	24802-1176	2.094	3.150	0.375	63	21158-8351
2.062	2.997	0.375	23	25003-1255	2.094	3.250	0.375	63	21158-1306
2.062	2.997	0.375	63	21158-1255	2.094	3.347	0.375	63	21158-8352

All dimensions are in inches. Preferred sizes are indicated with **bold** type face.

Sizes listed are for standard nitrile elements, except Models 25 and 62 which have PTFE elements. Other material available on inquiry only.

SHAFT	BORE	WIDTH	MODEL NO.	PART NO.	SHAFT	BORE	WIDTH	MODEL NO.	PART NO.
2.094	3.350	0.375	63	21158-1309	2.125	3.000	0.375	63	21158-1327
2.094	3.372	0.437	63	21158-1313	2.125	3.000	0.375	66	21527-1327
2.094	3.481	0.375	63	21158-1315	2.125	3.000	0.375	67	21528-1327
2.094	3.500	0.375	63	21158-1318	2.125	3.000	0.375	68	21823-1327
2.125	2.500	0.250	71	26001-5064	2.125	3.000	0.437	61	24060-1328
2.125	2.625	0.375	61	24060-2073	2.125	3.000	0.437	63	21158-1328
2.125	2.750	0.312	61	24060-1467	2.125	3.000	0.500	26	24600-1325
2.125	2.750	0.375	61	24060-4892	2.125	3.000	0.500	62	21702-1329
2.125	2.750	0.625	IG	29507-5922	2.125	3.000	0.500	63	21158-1329
2.125	2.762	0.250	76	26193-7995	2.125	3.000	0.625	EQ	24801-1323
2.125	2.763	0.690	EQ	24807-3238	2.125	3.000	0.625	EQ	24802-1323
2.125	2.833	0.438	26	24600-1319	2.125	3.000	0.687	63F1	23078-6593
2.125	2.835	0.375	63	21158-8112	2.125	3.000	0.687	63R2	23548-6593
2.125	2.875	0.375	3	28003-2171	2.125	3.000	0.687	63T2	23550-6593
2.125	2.875	0.375	25	25058-1321	2.125	3.000	0.687	67R2	23683-6593
2.125	2.875	0.375	26	24600-1321	2.125	3.000	0.750	IG	29502-4205
2.125	2.875	0.375	61	24060-1321	2.125	3.050	0.625	EQ	24802-1849
2.125	2.875	0.375	62	21702-1321	2.125	3.061	0.687	63F1	23078-6794
2.125	2.875	0.375	63	21158-1321	2.125	3.062	0.375	63	21158-1330
2.125	2.875	0.375	66	21527-1321	2.125	3.062	0.375	66	21527-1330
2.125	2.875	0.375	67	21528-1321	2.125	3.062	0.437	63	21158-1331
2.125	2.875	0.375	68	21823-1321	2.125	3.062	0.500	62	21702-1332
2.125	2.875	0.437	26	24600-1320	2.125	3.062	0.500	63	21158-1332
2.125	2.875	0.437	61	24060-1320	2.125	3.062	0.750	63F1	23078-5687
2.125	2.875	0.437	63	21158-1322	2.125	3.125	0.375	26	24600-1333
2.125	2.875	0.469	63	21158-5688	2.125	3.125	0.375	62	21702-1333
2.125	2.875	0.500	62	21702-1323	2.125	3.125	0.375	63	21158-1333
2.125	2.875	0.500	63	21158-1323	2.125	3.125	0.375	66	21527-1333
2.125	2.875	0.500	EQ	24802-0709	2.125	3.125	0.437	61	24060-1334
2.125	2.875	0.594	63F1	23078-4916	2.125	3.125	0.437	61	24061-1334
2.125	2.875	0.625	EQ	24801-1322	2.125	3.125	0.437	63	21158-1334
2.125	2.875	0.625	EQ	24802-1322	2.125	3.125	0.438	26	24600-1334
2.125	2.875	0.625	IG	29507-1322	2.125	3.125	0.500	23	25003-1335
2.125	2.875	0.687	63F1	23078-4592	2.125	3.125	0.500	63	21158-1335
2.125	2.875	0.687	63R1	23547-4592	2.125	3.125	0.500	EQ	24801-1335
2.125	2.875	0.687	63R2	23548-4592	2.125	3.125	0.594	63F1	23078-7484
2.125	2.875	0.687	63T2	23550-4592	2.125	3.125	0.625	EQ	24802-1761
2.125	2.875	0.750	IG	29500-4109	2.125	3.125	0.687	63R2	23548-7160
2.125	2.875	0.750	IG	29502-4109	2.125	3.125	0.687	63T2	23550-7160
2.125	2.878	0.375	26R1	24620-1321	2.125	3.125	0.750	IG	29500-4146
2.125	2.882	0.375	62	21702-3900	2.125	3.125	0.750	IG	29502-4146
2.125	2.882	0.375	63	21158-3900	2.125	3.129	0.625	IG	29507-5098
2.125	2.882	0.375	66	21527-3900	2.125	3.147	0.375	63	21158-1336
2.125	2.997	0.375	63	21158-1324	2.125	3.147	0.375	66	21527-1336
2.125	2.997	0.375	66	21527-1324	2.125	3.150	0.375	63	21158-8353
2.125	2.997	0.375	67	21528-1324	2.125	3.187	0.750	IG	29502-4617
2.125	2.997	0.375	68	21823-1324	2.125	3.189	0.375	63	21158-1339
2.125	2.997	0.500	62	21702-1326	2.125	3.189	0.375	66	21527-1339
2.125	2.997	0.500	63	21158-1326	2.125	3.189	0.437	62	21702-1340
2.125	3.000	0.312	76	26193-9975	2.125	3.189	0.500	63	21158-1341
2.125	3.000	0.375	3	28003-2186	2.125	3.189	0.625	EQ	24802-1010
2.125	3.000	0.375	62	21702-1327	2.125	3.189	0.750	63F1	23078-7787

All dimensions are in inches. Preferred sizes are indicated with **bold** type face. Sizes listed are for standard nitrile elements, except Models 25 and 62 which have PTFE elements. Other material available on inquiry only.

Oil Seals by Shaft Size

Garlock

SHAFT	BORE	WIDTH	MODEL NO.	PART NO.	SHAFT	BORE	WIDTH	MODEL NO.	PART NO.
2.125	3.250	0.375	26	24600-1345	2.156	2.997	0.375	63	21158-1363
2.125	3.250	0.375	61	24062-1345	2.156	2.997	0.500	63	21158-1365
2.125	3.250	0.375	63	21158-1345	2.156	3.000	0.375	62	21702-1366
2.125	3.250	0.375	66	21527-1345	2.156	3.000	0.375	63	21158-1366
2.125	3.250	0.437	63	21158-1346	2.156	3.147	0.375	63	21158-1375
2.125	3.250	0.438	61	24062-1346	2.156	3.150	0.375	63	21158-8355
2.125	3.250	0.500	63	21158-1347	2.156	3.189	0.375	61	24060-1378
2.125	3.250	0.594	63F1	23078-6605	2.156	3.189	0.375	63	21158-1378
2.125	3.250	0.625	EQ	24801-1854	2.156	3.250	0.375	63	21158-1384
2.125	3.250	0.625	EQ	24802-1854	2.156	3.250	0.437	63	21158-1385
2.125	3.250	0.750	IG	29502-4807	2.156	3.347	0.375	63	21158-8117
2.125	3.312	0.625	EQ	24802-2999	2.156	3.350	0.500	63	21158-1389
2.125	3.347	0.375	63	21158-8354	2.156	3.372	0.375	63	21158-1390
2.125	3.350	0.375	63	21158-1348	2.156	3.372	0.687	63T2	23550-6929
2.125	3.350	0.375	66	21527-1348	2.156	3.500	0.375	63	21158-1396
2.125	3.350	0.437	63	21158-1349	2.156	3.500	0.500	63	21158-1398
2.125	3.350	0.500	63	21158-1350	2.156	3.544	0.375	63	21158-7218
2.125	3.350	0.594	63F1	23078-4838	2.156	4.725	0.375	26R1	24620-2122
2.125	3.350	0.687	63R2	23548-8404	2.156	4.725	0.375	94	27223-9977
2.125	3.372	0.375	63	21158-1351	2.158	3.150	0.625	EQ	24801-4444
2.125	3.372	0.375	66	21527-1351	2.158	3.158	0.750	IG	29502-4590
2.125	3.372	0.437	63	21158-1352	2.159	3.000	0.750	IG	29502-4403
2.125	3.372	0.469	63	21158-1342	2.160	3.160	0.625	EQ	24802-3052
2.125	3.372	0.500	63	21158-1353	2.160	3.160	0.625	IG	29507-3052
2.125	3.375	0.750	IG	29502-5003	2.160	3.160	0.750	IG	29502-5538
2.125	3.500	0.375	63	21158-1357	2.160	3.195	0.750	IG	29502-4638
2.125	3.500	0.375	66	21527-1357	2.160	3.250	0.625	EQ	24801-3223
2.125	3.500	0.500	63	21158-1359	2.161	3.161	0.750	IG	29502-5053
2.125	3.500	0.625	EQ	24802-3058	2.165	2.756	0.315	61	24060-0574
2.125	3.500	0.750	IG	29502-5769	2.165	2.756	0.315	92	27063-0574
2.125	3.520	0.625	EQ	24802-1248	2.165	2.756	0.625	IG	29507-4951
2.125	3.545	0.438	26	24600-1355	2.165	2.756	0.690	EQ	24807-2675
2.125	3.545	0.438	26R1	24620-1355	2.165	2.835	0.315	26R1	24620-1369
2.125	3.623	0.375	94	27223-9670	2.165	2.835	0.315	61	24060-0882
2.125	3.623	0.437	63	21158-3902	2.165	2.835	0.315	61	24064-0882
2.125	3.625	0.750	IG	29502-1745	2.165	2.835	0.394	61	24060-1835
2.125	3.875	0.625	EQ	24802-5368	2.165	2.835	0.625	IG	29507-4952
2.125	4.000	0.625	EQ	24802-5369	2.165	2.874	0.690	EQ	24807-2485
2.134	3.066	0.750	IG	29520-5654	2.165	2.952	0.690	EQ	24807-3505
2.145	2.865	0.690	EQ	24807-3878	2.165	2.953	0.394	92	27063-0575
2.145	2.871	0.625	IG	29507-4839	2.165	2.953	0.750	IG	29502-4492
2.147	2.875	0.625	IG	29507-5295	2.165	2.972	0.748	EQSPB	24816-7065
2.147	2.875	0.690	EQ	24807-2537	2.165	3.000	0.625	EQ	24802-1340
2.148	2.875	0.625	IG	29507-5478	2.165	3.070	0.354	26R1	24620-1371
2.149	2.875	0.625	IG	29507-4667	2.165	3.070	0.472	26R1	24620-1370
2.150	3.150	0.625	EQ	24802-3169	2.165	3.071	0.750	IG	29502-5542
2.153	3.153	0.625	EQ	24802-3054	2.165	3.150	0.315	92	27063-0576
2.155	2.875	0.625	IG	29507-4337	2.165	3.150	0.394	26	24600-3587
2.155	2.875	0.690	EQ	24807-2866	2.165	3.150	0.625	EQ	24802-2005
2.156	2.835	0.375	63	21158-7667	2.165	3.150	0.750	IG	29502-4190
2.156	2.875	0.375	63	21158-1360	2.165	3.165	0.625	EQ	24801-1884
2.156	2.882	0.375	63	21158-9407	2.165	3.165	0.625	EQ	24802-1884

All dimensions are in inches. Preferred sizes are indicated with **bold** type face.

Sizes listed are for standard nitrile elements, except Models 25 and 62 which have PTFE elements. Other material available on inquiry only.

SHAFT	BORE	WIDTH	MODEL NO.	PART NO.	SHAFT	BORE	WIDTH	MODEL NO.	PART NO.
2.165	3.165	0.750	IG	29502-5342	2.187	3.246	0.437	66	21527-1417
2.165	3.189	0.625	EQ	24802-1805	2.187	3.250	0.375	62	21702-1420
2.165	3.189	0.750	IG	29502-4786	2.187	3.250	0.375	63	21158-1420
2.165	3.250	0.375	94	27223-8958	2.187	3.250	0.375	66	21527-1420
2.165	3.346	0.315	92	27063-0585	2.187	3.250	0.500	63	21158-1422
2.165	3.542	0.750	IG	29500-4744	2.187	3.347	0.375	63	21158-8358
2.165	3.543	0.625	EQ	24802-1906	2.187	3.350	0.375	63	21158-1423
2.165	3.544	0.375	94	27223-8006	2.187	3.350	0.375	66	21527-1423
2.165	3.937	0.375	26	24600-7209	2.187	3.350	0.437	63	21158-1424
2.165	3.937	0.375	94	27223-7209	2.187	3.350	0.500	63	21158-1425
2.166	3.937	0.625	EQ	24802-4447	2.187	3.372	0.375	63	21158-1426
2.174	3.174	0.625	EQ	24802-3015	2.187	3.372	0.375	66	21527-1426
2.185	3.185	0.625	IG	29507-5199	2.187	3.372	0.500	63	21158-1428
2.186	3.186	0.625	EQ	24801-2489	2.187	3.481	0.375	63	21158-1429
2.186	3.186	0.625	EQ	24802-2489	2.187	3.481	0.375	66	21527-1429
2.187	2.875	0.375	62	21702-1399	2.187	3.500	0.375	63	21158-1432
2.187	2.875	0.375	63	21158-1399	2.187	3.500	0.375	66	21527-1432
2.187	2.875	0.437	63	21158-1400	2.187	3.500	0.500	63	21158-1434
2.187	2.875	0.500	63	21158-1401	2.187	3.500	0.687	63R2	23548-4848
2.187	2.875	0.594	63F1	23078-6141	2.187	4.331	0.375	94	27223-6281
2.187	2.875	0.687	63T2	23550-4659	2.187	5.118	0.375	94	27223-6282
2.187	2.882	0.375	63	21158-3903	2.187	5.125	0.625	EQ	24802-4482
2.187	2.997	0.375	63	21158-3904	2.188	2.823	0.974	IGSPB	29516-7093
2.187	2.997	0.375	66	21527-3904	2.188	2.825	1.125	EQSPB	24816-7020
2.187	3.000	0.375	62	21702-1402	2.188	2.832	0.625	IG	29507-5012
2.187	3.000	0.375	63	21158-1402	2.188	2.837	0.690	EQ	24807-5590
2.187	3.000	0.375	66	21527-1402	2.188	2.875	0.375	61	24060-1399
2.187	3.000	0.437	63	21158-1403	2.188	2.938	0.750	IG	29500-5722
2.187	3.000	0.500	25	25058-1404	2.188	2.938	1.007	IGSPB	29516-7105
2.187	3.000	0.500	63	21158-1404	2.188	3.000	0.500	26	24600-1404
2.187	3.000	0.750	IG	29502-4204	2.188	3.000	0.500	62	21702-1404
2.187	3.062	0.375	63	21158-1405	2.188	3.000	0.500	EQ	24801-1404
2.187	3.062	0.375	66	21527-1405	2.188	3.000	0.625	EQ	24802-1119
2.187	3.062	0.437	63	21158-1406	2.188	3.062	0.690	EQ	24807-3249
2.187	3.062	0.500	63	21158-1407	2.188	3.125	0.375	26	24600-1408
2.187	3.062	0.625	EQ	24801-3247	2.188	3.250	0.625	EQ	24801-2474
2.187	3.125	0.375	62	21702-1408	2.188	3.251	0.750	IG	29502-5307
2.187	3.125	0.375	63	21158-1408	2.188	3.350	0.469	26	24600-1427
2.187	3.125	0.375	66	21527-1408	2.188	5.125	0.750	IG	29500-4485
2.187	3.125	0.500	63	21158-1410	2.200	2.750	0.625	IG	29507-5093
2.187	3.147	0.375	63	21158-1411	2.205	2.756	0.315	92	27063-0588
2.187	3.147	0.375	66	21527-1411	2.205	2.835	0.315	92	27063-0606
2.187	3.147	0.500	63	21158-1413	2.205	2.837	0.690	EQ	24807-4200
2.187	3.147	0.687	63TB	23549-6699	2.205	3.150	0.315	92	27063-0629
2.187	3.150	0.375	63	21158-8357	2.205	3.150	0.625	EQ	24802-4201
2.187	3.187	0.750	IG	29502-4279	2.205	3.150	0.750	IG	29502-5545
2.187	3.189	0.375	63	21158-1414	2.205	3.346	0.315	92	27063-0633
2.187	3.189	0.375	66	21527-1414	2.219	2.997	0.375	63	21158-1435
2.187	3.189	0.437	63	21158-1415	2.219	2.997	0.594	63F1	23078-1437
2.187	3.189	0.500	63	21158-1416	2.219	3.000	0.375	62	21702-1438
2.187	3.189	0.625	EQ	24802-1353	2.219	3.000	0.375	63	21158-1438
2.187	3.246	0.437	63	21158-1417	2.219	3.150	0.375	63	21158-8359

All dimensions are in inches. Preferred sizes are indicated with **bold** type face. Sizes listed are for standard nitrile elements, except Models 25 and 62 which have PTFE elements. Other material available on inquiry only.

Oil Seals by Shaft Size

Garlock

SHAFT	BORE	WIDTH	MODEL NO.	PART NO.	SHAFT	BORE	WIDTH	MODEL NO.	PART NO.
2.219	3.250	0.375	63	21158-1456	2.250	3.000	0.437	63	21158-1475
2.219	3.347	0.375	63	21158-8360	2.250	3.000	0.500	61	24062-1476
2.219	3.372	0.375	63	21158-1462	2.250	3.000	0.500	62	21702-1476
2.219	3.500	0.375	63	21158-1468	2.250	3.000	0.500	63	21158-1476
2.222	3.222	0.625	EQ	24802-3056	2.250	3.000	0.500	EQ	24801-1476
2.225	3.225	0.750	IG	29502-5463	2.250	3.000	0.625	EQ	24801-1479
2.228	3.228	0.750	IG	29502-4812	2.250	3.000	0.625	EQ	24802-1479
2.230	3.230	0.625	EQ	24802-3153	2.250	3.000	0.625	IG	29519-1479
2.232	3.543	0.375	63	21158-7702	2.250	3.000	0.687	63F1	23078-6478
2.240	3.240	0.750	IG	29502-5056	2.250	3.000	0.687	63R2	23548-6478
2.244	3.250	0.625	EQ	24802-4442	2.250	3.000	0.687	63T2	23550-6478
2.244	3.268	0.625	EQ	24802-1981	2.250	3.000	0.690	EQ	24807-3298
2.246	4.500	0.750	IG	29502-4368	2.250	3.000	0.750	IG	29502-4462
2.248	3.150	0.750	IG	29502-5211	2.250	3.062	0.375	63	21158-1477
2.250	2.625	0.109	71	26001-6284	2.250	3.062	0.375	66	21527-1477
2.250	2.625	0.690	EQ	24807-2567	2.250	3.062	0.437	26	24600-1470
2.250	2.750	0.250	76	26193-7531	2.250	3.062	0.500	63	21158-1479
2.250	2.750	0.690	EQ	24807-1802	2.250	3.125	0.250	92	27063-5774
2.250	2.875	0.312	26	24600-1469	2.250	3.125	0.375	3	28003-2317
2.250	2.875	0.312	61	24060-1503	2.250	3.125	0.375	23	25003-1480
2.250	2.875	0.375	61	24060-1507	2.250	3.125	0.375	63	21158-1480
2.250	2.875	0.438	61	24060-2797	2.250	3.125	0.375	66	21527-1480
2.250	2.875	0.625	IG	29507-5564	2.250	3.125	0.437	61	24060-1508
2.250	2.875	0.690	EQ	24807-2667	2.250	3.125	0.437	63	21158-1481
2.250	2.938	1.007	IG	29516-7076	2.250	3.125	0.500	23	25003-1482
2.250	2.995	0.625	EQ	24801-1473	2.250	3.125	0.500	26	24600-1482
2.250	2.997	0.375	62	21702-1471	2.250	3.125	0.500	63	21158-1482
2.250	2.997	0.375	63	21158-1471	2.250	3.125	0.500	EQ	24801-1482
2.250	2.997	0.375	66	21527-1471	2.250	3.125	0.625	EQ	24801-1483
2.250	2.997	0.375	67	21528-1471	2.250	3.125	0.625	EQ	24802-1483
2.250	2.997	0.375	68	21823-1471	2.250	3.125	0.687	63T2	23550-6995
2.250	2.997	0.437	62	21702-1472	2.250	3.125	0.750	IG	29502-5419
2.250	2.997	0.500	62	21702-1473	2.250	3.147	0.375	62	21702-1483
2.250	2.997	0.500	63	21158-1473	2.250	3.147	0.375	63	21158-1483
2.250	2.997	0.594	63F1	23078-5208	2.250	3.147	0.375	66	21527-1483
2.250	2.997	0.687	63F1	23078-6795	2.250	3.147	0.500	63	21158-1485
2.250	2.997	0.687	63R2	23548-6795	2.250	3.147	0.594	63F1	23078-7142
2.250	2.997	0.687	66R1	23722-6795	2.250	3.147	0.687	63R1	23547-4905
2.250	2.997	0.750	63F1	23078-8498	2.250	3.150	0.375	63	21158-8361
2.250	2.997	0.750	66F1	23692-8498	2.250	3.150	0.375	71	26001-8361
2.250	2.997	0.750	IG	29502-4408	2.250	3.187	0.625	EQ	24802-1180
2.250	3.000	0.375	3	28003-2303	2.250	3.189	0.375	63	21158-1486
2.250	3.000	0.375	26	24600-1474	2.250	3.189	0.375	66	21527-1486
2.250	3.000	0.375	61	24060-1474	2.250	3.189	0.437	63	21158-1487
2.250	3.000	0.375	62	21702-1474	2.250	3.189	0.625	EQ	24801-1901
2.250	3.000	0.375	63	21158-1474	2.250	3.189	0.625	EQ	24802-1901
2.250	3.000	0.375	66	21527-1474	2.250	3.190	0.690	EQ	24807-3778
2.250	3.000	0.375	67	21528-1474	2.250	3.190	0.750	IG	29502-4367
2.250	3.000	0.375	68	21823-1474	2.250	3.246	0.375	62	21702-1489
2.250	3.000	0.437	61	24060-1475	2.250	3.246	0.375	63	21158-1489
2.250	3.000	0.437	61	24061-1475	2.250	3.246	0.375	66	21527-1489
2.250	3.000	0.437	62	21702-1475	2.250	3.246	0.500	63	21158-1491

All dimensions are in inches. Preferred sizes are indicated with **bold** type face.

Sizes listed are for standard nitrile elements, except Models 25 and 62 which have PTFE elements. Other material available on inquiry only.

SHAFT	BORE	WIDTH	MODEL NO.	PART NO.	SHAFT	BORE	WIDTH	MODEL NO.	PART NO.
2.250	3.246	0.687	63R1	23547-7691	2.250	3.500	0.375	62	21702-1504
2.250	3.250	0.375	23	25003-1492	2.250	3.500	0.375	63	21158-1504
2.250	3.250	0.375	26	24600-1492	2.250	3.500	0.375	66	21527-1504
2.250	3.250	0.375	62	21702-1492	2.250	3.500	0.375	67	21528-1504
2.250	3.250	0.375	63	21158-1492	2.250	3.500	0.375	68	21823-1504
2.250	3.250	0.375	66	21527-1492	2.250	3.500	0.437	61	24060-1505
2.250	3.250	0.375	67	21528-1492	2.250	3.500	0.437	62	21702-1505
2.250	3.250	0.375	68	21823-1492	2.250	3.500	0.437	63	21158-1505
2.250	3.250	0.437	61	24060-1493	2.250	3.500	0.500	63	21158-1506
2.250	3.250	0.437	61	24063-1493	2.250	3.500	0.594	63F1	23078-4735
2.250	3.250	0.437	63	21158-1493	2.250	3.500	0.625	EQ	24802-1755
2.250	3.250	0.438	23	25003-1493	2.250	3.500	0.687	63R1	23547-6757
2.250	3.250	0.500	23	25003-1494	2.250	3.500	0.687	63T2	23550-6757
2.250	3.250	0.500	25	25058-1494	2.250	3.500	0.703	63R1	23547-5528
2.250	3.250	0.500	61	24062-1494	2.250	3.500	0.750	IG	29502-5820
2.250	3.250	0.500	62	21702-1494	2.250	3.625	0.437	61	24060-1511
2.250	3.250	0.500	63	21158-1494	2.250	3.625	0.625	EQ	24801-3366
2.250	3.250	0.500	EQ	24801-1494	2.250	3.625	0.625	EQ	24802-3366
2.250	3.250	0.500	EQ	24802-1494	2.250	3.625	0.750	IG	29500-4874
2.250	3.250	0.625	EQ	24801-1493	2.250	3.625	0.750	IG	29502-4874
2.250	3.250	0.625	EQ	24802-1493	2.250	3.750	0.500	26	24600-1511
2.250	3.250	0.687	63R2	23548-4665	2.258	3.258	0.750	IG	29502-4813
2.250	3.250	0.687	63T2	23550-4665	2.264	3.250	0.625	EQ	24802-2897
2.250	3.250	0.687	63TF	23735-4665	2.275	3.275	0.750	IG	29502-5734
2.250	3.250	0.750	IG	29500-4148	2.280	3.280	0.625	EQ	24802-2312
2.250	3.250	0.750	IG	29502-4148	2.280	3.280	0.750	IG	29502-4338
2.250	3.251	0.375	3	28003-2329	2.281	3.000	0.375	63	21158-1510
2.250	3.312	0.625	EQ	24801-5732	2.281	3.062	0.375	63	21158-1513
2.250	3.347	0.375	63	21158-8362	2.281	3.147	0.437	63	21158-1520
2.250	3.350	0.375	62	21702-1495	2.281	3.150	0.375	63	21158-8363
2.250	3.350	0.375	63	21158-1495	2.281	3.154	0.375	63	21158-8904
2.250	3.350	0.375	66	21527-1495	2.281	3.347	0.375	63	21158-8364
2.250	3.350	0.437	63	21158-1496	2.281	3.500	0.375	63	21158-1540
2.250	3.350	0.469	63	21158-5560	2.281	3.543	0.375	63	21158-1543
2.250	3.350	0.500	63	21158-1497	2.281	3.623	0.375	63	21158-1546
2.250	3.350	0.625	EQ	24802-1498	2.281	3.623	0.500	63	21158-1548
2.250	3.350	0.687	63R1	23547-7382	2.283	2.835	0.315	92	27063-0745
2.250	3.353	0.375	26	24600-1508	2.283	3.150	0.315	92	27063-0635
2.250	3.372	0.375	63	21158-1498	2.283	3.150	0.500	EQ	24801-1985
2.250	3.372	0.375	66	21527-1498	2.283	3.346	0.394	92	27063-0642
2.250	3.372	0.437	63	21158-1499	2.283	3.543	0.625	EQ	24802-3025
2.250	3.372	0.500	63	21158-1500	2.283	3.835	0.690	EQ	24807-3657
2.250	3.372	0.594	63F1	23078-4938	2.283	4.409	0.750	IG	29502-5931
2.250	3.372	0.687	63T2	23550-9844	2.300	3.300	0.750	IG	29502-5825
2.250	3.372	0.687	63TB	23549-9844	2.307	4.331	0.625	EQ	24802-3577
2.250	3.375	0.437	61	24060-1509	2.312	2.997	0.375	63	21158-1552
2.250	3.375	0.500	26	24600-1509	2.312	3.000	0.375	63	21158-1555
2.250	3.375	0.625	EQ	24801-1245	2.312	3.000	0.500	63	21158-1557
2.250	3.375	0.625	EQ	24802-1245	2.312	3.000	0.687	63R2	23548-9604
2.250	3.481	0.375	63	21158-1501	2.312	3.062	0.375	26	24600-3300
2.250	3.481	0.375	66	21527-1501	2.312	3.062	0.375	63	21158-1558
2.250	3.500	0.375	26	24600-1504	2.312	3.062	0.625	EQ	24801-3239

All dimensions are in inches. Preferred sizes are indicated with **bold** type face. Sizes listed are for standard nitrile elements, except Models 25 and 62 which have PTFE elements. Other material available on inquiry only.

SHAFT	BORE	WIDTH	MODEL NO.	PART NO.	SHAFT	BORE	WIDTH	MODEL NO.	PART NO.
2.312	3.062	0.690	EQ	24807-3237	2.344	3.125	0.375	63	21158-1600
2.312	3.125	0.375	26	24600-1561	2.344	3.125	0.500	26	24600-1602
2.312	3.125	0.375	63	21158-1561	2.344	3.125	0.500	63	21158-1602
2.312	3.125	0.500	61	24062-1563	2.344	3.147	0.375	63	21158-1603
2.312	3.125	0.500	63	21158-1563	2.344	3.150	0.375	63	21158-8367
2.312	3.150	0.375	63	21158-8365	2.344	3.219	0.625	23	25003-8276
2.312	3.187	0.690	EQ	24807-3645	2.344	3.250	0.375	63	21158-1612
2.312	3.189	0.375	63	21158-1567	2.344	3.347	0.375	63	21158-8368
2.312	3.246	0.375	63	21158-1570	2.344	3.350	0.375	63	21158-1615
2.312	3.250	0.375	63	21158-1573	2.344	3.350	0.687	63R1	23547-6941
2.312	3.250	0.500	25	25058-1575	2.344	3.372	0.375	63	21158-1618
2.312	3.250	0.500	26R1	24620-1575	2.344	3.372	0.500	63	21158-1620
2.312	3.250	0.500	63	21158-1575	2.344	3.481	0.375	63	21158-1621
2.312	3.250	0.500	EQ	24801-1552	2.344	3.500	0.375	61	24060-1624
2.312	3.250	0.687	61	24062-4958	2.344	3.500	0.375	63	21158-1624
2.312	3.250	0.687	63R2	23548-4958	2.344	3.500	0.500	63	21158-1626
2.312	3.250	0.687	63T2	23550-4958	2.344	3.543	0.375	63	21158-1627
2.312	3.250	0.750	IG	29502-4478	2.344	3.543	0.500	63	21158-1629
2.312	3.347	0.375	63	21158-8366	2.344	3.623	0.375	63	21158-1630
2.312	3.350	0.375	63	21158-1576	2.344	3.751	0.375	63	21158-1633
2.312	3.350	0.500	63	21158-1578	2.344	3.876	0.375	63	21158-1636
2.312	3.371	0.625	EQ	24802-3480	2.344	3.876	0.500	63	21158-1638
2.312	3.372	0.375	63	21158-1579	2.345	3.375	0.750	IG	29502-5443
2.312	3.372	0.500	63	21158-1581	2.350	3.350	0.625	EQ	24802-2618
2.312	3.438	0.625	EQ	24802-3582	2.350	3.350	0.750	IG	29502-4609
2.312	3.481	0.375	63	21158-1582	2.350	3.375	0.750	IG	29502-4687
2.312	3.481	0.500	63	21158-1584	2.352	3.375	0.750	IG	29502-4601
2.312	3.500	0.375	63	21158-1585	2.354	3.354	0.750	IG	29502-5076
2.312	3.500	0.500	62	21702-1587	2.355	3.870	0.750	IG	29502-4351
2.312	3.500	0.500	63	21158-1587	2.356	3.625	0.625	EQ	24802-1943
2.312	3.500	0.625	EQ	24802-2632	2.356	3.780	0.750	IG	29502-5473
2.312	3.500	0.750	IG	29502-5653	2.357	3.357	0.625	EQ	24802-2951
2.312	3.543	0.375	63	21158-1588	2.359	2.734	0.690	EQ	24807-2874
2.312	3.625	0.625	EQ	24802-4392	2.360	3.150	0.375	61	24060-0653
2.312	3.750	0.625	EQ	24801-3267	2.360	3.228	0.690	EQ	24807-1876
2.312	3.750	0.750	IG	29502-5818	2.360	3.360	0.750	IG	29500-4883
2.312	3.751	0.375	63	21158-1594	2.360	3.360	0.750	IG	29502-4883
2.312	3.751	0.500	63	21158-1596	2.360	3.375	0.750	IG	29502-4693
2.312	3.751	0.687	63R1	23547-6043	2.360	4.090	0.625	EQ	24802-3540
2.312	3.812	0.750	IG	29500-4861	2.362	2.953	0.315	26R1	24620-1605
2.313	3.250	0.625	EQ	24802-1552	2.362	2.953	0.315	58	21003-1490
2.313	3.250	0.625	EQ	24802-1766	2.362	2.953	0.315	61	24060-1490
2.313	3.313	0.625	EQ	24801-1351	2.362	2.953	0.625	IG	29507-4458
2.313	3.313	0.625	EQ	24802-1351	2.362	3.071	0.394	26	24600-1565
2.313	3.313	0.750	IG	29502-4257	2.362	3.111	0.750	IG	29502-5535
2.313	3.355	0.625	EQ	24801-1136	2.362	3.112	0.375	23	25003-8905
2.317	3.375	0.750	IG	29502-5059	2.362	3.150	0.315	92	27063-0653
2.327	3.250	0.500	EQ	24801-1557	2.362	3.150	0.394	26	24600-5115
2.335	3.335	0.750	IG	29502-5801	2.362	3.150	0.394	61	24060-1839
2.341	3.151	0.750	IG	29502-5729	2.362	3.150	0.625	EQ	24801-5431
2.344	3.062	0.375	63	21158-1597	2.362	3.150	0.625	EQ	24802-1348
2.344	3.062	0.375	66	21527-1597	2.362	3.150	0.625	IG	29507-1348

All dimensions are in inches. Preferred sizes are indicated with **bold** type face.

Sizes listed are for standard nitrile elements, except Models 25 and 62 which have PTFE elements. Other material available on inquiry only.

SHAFT	BORE	WIDTH	MODEL NO.	PART NO.	SHAFT	BORE	WIDTH	MODEL NO.	PART NO.
2.362	3.150	0.690	EQ	24807-3639	2.375	3.125	0.690	EQ	24807-2831
2.362	3.150	0.750	IG	29502-5543	2.375	3.125	0.750	IG	29502-4324
2.362	3.228	0.472	26R1	24620-1606	2.375	3.126	0.500	EQ	24801-0716
2.362	3.228	0.625	EQ	24801-1876	2.375	3.130	0.750	IG	29502-5585
2.362	3.228	0.625	EQ	24802-1876	2.375	3.147	0.375	63	21158-1645
2.362	3.308	0.625	IG	29507-5126	2.375	3.147	0.375	66	21527-1645
2.362	3.308	0.625	IG	29519-5126	2.375	3.147	0.500	63	21158-1647
2.362	3.346	0.315	92	27063-0672	2.375	3.150	0.375	63	21158-8369
2.362	3.346	0.625	EQ	24802-2651	2.375	3.150	0.375	66	21527-8369
2.362	3.346	0.625	EQ	24802-3309	2.375	3.188	0.438	26	24600-1572
2.362	3.346	0.750	IG	29502-4191	2.375	3.189	0.375	63	21158-1648
2.362	3.362	0.625	EQ	24802-1806	2.375	3.189	0.375	66	21527-1648
2.362	3.362	0.750	IG	29500-5512	2.375	3.189	0.500	63	21158-1650
2.362	3.366	0.750	EQSPB	24816-7058	2.375	3.246	0.375	63	21158-1651
2.362	3.366	0.788	IGSPB	29516-7136	2.375	3.246	0.375	66	21527-1651
2.362	3.543	0.315	92	27063-0683	2.375	3.246	0.500	63	21158-1653
2.362	3.543	0.500	EQ	24801-1870	2.375	3.246	0.594	63F1	23078-4746
2.362	3.543	0.551	26R1	24620-1031	2.375	3.250	0.328	26	24600-1580
2.362	3.543	0.625	EQ	24801-2488	2.375	3.250	0.375	62	21702-1654
2.362	4.331	0.512	58	21003-2488	2.375	3.250	0.375	63	21158-1654
2.363	3.127	0.375	26	24600-1568	2.375	3.250	0.375	66	21527-1654
2.363	3.150	0.750	IG	29502-6231	2.375	3.250	0.375	67	21528-1654
2.375	2.875	0.312	61	24060-1512	2.375	3.250	0.375	68	21823-1654
2.375	2.938	0.625	IG	29507-5063	2.375	3.250	0.375	61	24060-1655
2.375	2.948	0.974	IGSPB	29516-7081	2.375	3.250	0.437	63	21158-1655
2.375	3.000	0.312	61	24060-1514	2.375	3.250	0.437	63	21158-1655
2.375	3.000	0.437	61	24060-1523	2.375	3.250	0.500	62	21702-1656
2.375	3.000	0.625	IG	29507-5265	2.375	3.250	0.500	63	21158-1656
2.375	3.062	0.375	62	21702-1639	2.375	3.250	0.500	66	21527-1656
2.375	3.062	0.375	63	21158-1639	2.375	3.250	0.500	EQ	24801-0738
2.375	3.062	0.375	66	21527-1639	2.375	3.250	0.625	EQ	24801-1581
2.375	3.062	0.375	67	21528-1639	2.375	3.250	0.625	EQ	24802-1581
2.375	3.062	0.375	68	21823-1639	2.375	3.250	0.625	IG	29507-1581
2.375	3.062	0.375	68	21823-1639	2.375	3.250	0.750	IG	29500-4112
2.375	3.062	0.500	26	24600-1639	2.375	3.250	0.750	IG	29502-4112
2.375	3.062	0.500	63	21158-1641	2.375	3.255	0.750	IG	29502-5081
2.375	3.062	0.500	63	21158-1641	2.375	3.347	0.375	63	21158-8370
2.375	3.062	0.625	IG	29507-4547	2.375	3.347	0.375	63	21158-8370
2.375	3.062	0.687	63R2	23548-5968	2.375	3.350	0.375	23	25003-1657
2.375	3.062	0.690	EQ	24807-3198	2.375	3.350	0.375	63	21158-1657
2.375	3.125	0.375	23	25003-1642	2.375	3.350	0.375	66	21527-1657
2.375	3.125	0.375	26	24600-1642	2.375	3.350	0.375	66	21527-1657
2.375	3.125	0.375	26	24600-1642	2.375	3.350	0.437	62	21702-1658
2.375	3.125	0.375	26R1	24620-1642	2.375	3.350	0.437	63	21158-1658
2.375	3.125	0.375	61	24060-1642	2.375	3.350	0.437	63	21158-1658
2.375	3.125	0.375	61	24061-1642	2.375	3.350	0.469	63	21158-4646
2.375	3.125	0.375	61	24061-1642	2.375	3.350	0.500	62	21702-1659
2.375	3.125	0.375	62	21702-1642	2.375	3.350	0.500	63	21158-1659
2.375	3.125	0.375	62	21702-1642	2.375	3.350	0.500	63	21158-1659
2.375	3.125	0.375	63	21158-1642	2.375	3.350	0.500	63	21158-1659
2.375	3.125	0.375	66	21527-1642	2.375	3.350	0.625	EQ	24802-1776
2.375	3.125	0.375	66	21527-1642	2.375	3.350	0.687	63R2	23548-5980
2.375	3.125	0.500	62	21702-1644	2.375	3.350	0.687	63T2	23550-5980
2.375	3.125	0.500	62	21702-1644	2.375	3.350	0.687	63T2	23550-5980
2.375	3.125	0.500	63	21158-1644	2.375	3.365	0.625	EQ	24802-5490
2.375	3.125	0.500	EQ	24801-1644	2.375	3.371	0.750	IG	29502-5161
2.375	3.125	0.594	63F1	23078-6459	2.375	3.372	0.375	63	21158-1660
2.375	3.125	0.625	EQ	24802-1645	2.375	3.372	0.375	66	21527-1660
2.375	3.125	0.687	63R1	23547-6898	2.375	3.372	0.375	66	21527-1660
2.375	3.125	0.687	63R1	23547-6898	2.375	3.372	0.437	63	21158-1661

All dimensions are in inches. Preferred sizes are indicated with **bold** type face. Sizes listed are for standard nitrile elements, except Models 25 and 62 which have PTFE elements. Other material available on inquiry only.

Oil Seals by Shaft Size

Garlock

SHAFT	BORE	WIDTH	MODEL NO.	PART NO.	SHAFT	BORE	WIDTH	MODEL NO.	PART NO.
2.375	3.372	0.438	26R1	24620-1857	2.380	3.380	0.625	EQ	24802-3064
2.375	3.372	0.500	63	21158-1662	2.400	3.375	0.750	IG	29502-4623
2.375	3.375	0.437	61	24060-1529	2.400	3.438	0.750	IG	29502-5289
2.375	3.375	0.437	61	24061-1529	2.400	3.500	0.750	IG	29502-4666
2.375	3.375	0.468	25	25058-1637	2.402	3.290	0.625	EQ	24802-3108
2.375	3.375	0.500	26	24600-1652	2.406	3.125	0.375	63	21158-1681
2.375	3.375	0.625	EQ	24801-1654	2.406	3.125	0.687	63T2	23550-2494
2.375	3.375	0.625	EQ	24802-1654	2.406	3.150	0.375	63	21158-8371
2.375	3.375	0.750	IG	29500-4149	2.406	3.250	0.375	63	21158-1693
2.375	3.375	0.750	IG	29502-4149	2.406	3.347	0.375	63	21158-8372
2.375	3.437	0.625	EQ	24802-3006	2.406	3.350	0.375	63	21158-1696
2.375	3.481	0.375	63	21158-1663	2.406	3.372	0.687	63R1	23547-9029
2.375	3.481	0.375	66	21527-1663	2.406	3.543	0.375	63	21158-1708
2.375	3.500	0.375	61	24060-1666	2.406	3.623	0.375	62	21702-1711
2.375	3.500	0.375	62	21702-1666	2.406	3.623	0.375	63	21158-1711
2.375	3.500	0.375	63	21158-1666	2.406	3.751	0.375	63	21158-1714
2.375	3.500	0.375	66	21527-1666	2.406	3.937	0.375	63	21158-7926
2.375	3.500	0.375	67	21528-1666	2.406	4.003	0.375	63	21158-1720
2.375	3.500	0.375	68	21823-1666	2.420	3.355	0.750	IG	29502-4705
2.375	3.500	0.500	26	24600-1668	2.428	3.428	0.625	EQ	24802-3986
2.375	3.500	0.500	62	21702-1668	2.430	3.623	0.750	IG	29502-5687
2.375	3.500	0.500	63	21158-1668	2.431	3.400	0.500	23	25003-3207
2.375	3.500	0.625	EQ	24801-1211	2.432	3.432	0.750	IG	29502-4847
2.375	3.500	0.625	EQ	24802-1211	2.433	4.049	0.625	EQ	24802-4597
2.375	3.500	0.687	63R1	23547-4914	2.435	4.094	0.625	EQ	24802-4896
2.375	3.500	0.750	63F1	23078-7406	2.436	3.436	0.625	EQ	24802-3055
2.375	3.500	0.750	IG	29502-4806	2.437	2.930	0.625	IG	29507-4890
2.375	3.543	0.375	63	21158-1669	2.437	2.937	0.187	71	26001-7088
2.375	3.543	0.375	66	21527-1669	2.437	3.125	0.375	62	21702-1723
2.375	3.543	0.375	67	21528-1669	2.437	3.125	0.375	63	21158-1723
2.375	3.543	0.375	68	21823-1669	2.437	3.125	0.500	62	21702-1725
2.375	3.543	0.438	26R1	24620-4020	2.437	3.125	0.500	63	21158-1725
2.375	3.543	0.500	63	21158-1671	2.437	3.125	0.594	63F1	23078-7633
2.375	3.623	0.375	63	21158-1672	2.437	3.125	0.687	63T2	23550-6487
2.375	3.623	0.375	66	21527-1672	2.437	3.147	0.375	26R1	24620-1726
2.375	3.623	0.437	62	21702-1673	2.437	3.147	0.375	63	21158-1726
2.375	3.623	0.437	63	21158-1673	2.437	3.150	0.375	62	21702-8373
2.375	3.751	0.375	62	21702-1675	2.437	3.150	0.375	63	21158-8373
2.375	3.751	0.375	63	21158-1675	2.437	3.189	0.375	63	21158-1729
2.375	3.751	0.375	66	21527-1675	2.437	3.189	0.687	63R2	23548-7136
2.375	3.751	0.500	63	21158-1677	2.437	3.246	0.375	63	21158-1732
2.375	3.751	0.687	63R2	23548-6468	2.437	3.250	0.375	26R1	24620-1735
2.375	3.875	0.625	EQ	24802-4085	2.437	3.250	0.375	62	21702-1735
2.375	3.875	0.750	IG	29500-4619	2.437	3.250	0.375	63	21158-1735
2.375	3.876	0.375	63	21158-1678	2.437	3.250	0.500	63	21158-1737
2.375	3.876	0.375	66	21527-1678	2.437	3.250	0.687	63R2	23548-8521
2.375	3.876	0.375	94	27223-1678	2.437	3.312	0.375	23	25003-1736
2.375	3.876	0.500	62	21702-1680	2.437	3.347	0.375	63	21158-8374
2.375	3.876	0.500	63	21158-1680	2.437	3.350	0.375	62	21702-1738
2.375	4.000	0.500	25	25058-5240	2.437	3.350	0.375	63	21158-1738
2.375	5.125	0.625	54	21140-6003	2.437	3.350	0.500	63	21158-1740
2.380	3.375	0.750	IG	29502-5043	2.437	3.372	0.375	62	21702-1741

All dimensions are in inches. Preferred sizes are indicated with **bold** type face.

Sizes listed are for standard nitrile elements, except Models 25 and 62 which have PTFE elements. Other material available on inquiry only.

SHAFT	BORE	WIDTH	MODEL NO.	PART NO.	SHAFT	BORE	WIDTH	MODEL NO.	PART NO.
2.437	3.372	0.375	63	21158-1741	2.438	3.500	0.375	61	24060-1747
2.437	3.372	0.437	63	21158-1742	2.438	3.500	0.437	61	24060-1539
2.437	3.372	0.500	63	21158-1743	2.438	3.500	0.500	23	25003-1749
2.437	3.372	0.594	63F1	23078-6270	2.438	3.500	0.500	26	24600-1749
2.437	3.437	0.625	EQ	24802-1641	2.438	3.500	0.625	EQ	24801-3491
2.437	3.437	0.750	IG	29502-4280	2.438	3.500	0.625	EQ	24802-3491
2.437	3.481	0.375	63	21158-1744	2.438	3.876	0.700	IGSPB	29516-7139
2.437	3.481	0.437	63	21158-1745	2.440	3.250	0.500	26	24600-1685
2.437	3.481	0.500	63	21158-1746	2.440	3.440	0.625	EQ	24802-3154
2.437	3.481	0.625	EQ	24802-4358	2.441	2.992	0.625	IG	29507-5139
2.437	3.481	0.687	63R2	23548-7238	2.441	3.150	0.394	61	24060-8373
2.437	3.500	0.375	62	21702-1747	2.441	3.150	0.394	61	24064-8373
2.437	3.500	0.375	63	21158-1747	2.441	3.346	0.394	23	25003-0793
2.437	3.500	0.500	63	21158-1749	2.441	3.346	0.394	92	27063-0793
2.437	3.500	0.594	63F1	23078-7285	2.441	3.346	0.625	EQ	24801-5488
2.437	3.500	0.687	63T2	23550-6541	2.441	3.441	0.750	IG	29502-4846
2.437	3.543	0.375	62	21702-1750	2.441	3.543	0.394	92	27063-0684
2.437	3.543	0.375	63	21158-1750	2.441	3.948	0.750	IG	29500-4476
2.437	3.543	0.437	63	21158-1751	2.450	3.450	0.750	IG	29502-4887
2.437	3.543	0.500	62	21702-1752	2.469	3.189	0.375	63	21158-1765
2.437	3.543	0.500	63	21158-1752	2.469	3.250	0.375	63	21158-1771
2.437	3.547	0.500	26	24600-1621	2.469	3.347	0.375	63	21158-8375
2.437	3.623	0.375	63	21158-1753	2.469	3.350	0.375	63	21158-1774
2.437	3.750	0.750	IG	29502-5288	2.469	3.350	0.437	63	21158-1775
2.437	3.751	0.375	63	21158-1756	2.469	3.500	0.375	63	21158-1783
2.437	3.751	0.500	63	21158-1758	2.469	3.500	0.594	63F1	23078-8105
2.437	3.751	0.687	63T2	23550-7167	2.469	3.543	0.375	63	21158-1786
2.437	3.876	0.375	63	21158-1759	2.469	3.937	0.375	63	21158-7928
2.437	3.937	0.375	63	21158-7927	2.480	3.268	0.625	IG	29519-5756
2.437	4.003	0.375	63	21158-1762	2.480	3.480	0.750	IG	29500-5569
2.437	4.003	0.500	62	21702-1764	2.480	3.480	0.750	IG	29502-5569
2.437	4.003	0.500	63	21158-1764	2.480	3.543	0.625	EQ	24802-3568
2.437	4.509	0.625	EQ	24802-3380	2.489	3.250	0.312	26	24600-1757
2.437	4.725	0.725	IG	29500-4872	2.490	2.875	0.625	IG	29507-5316
2.438	2.813	0.625	IG	29507-5406	2.498	3.368	0.750	IG	29502-5628
2.438	2.938	0.690	EQ	24807-3748	2.499	3.542	0.500	26	24600-1623
2.438	3.125	0.690	EQ	24807-1912	2.500	2.875	0.109	71	26001-6292
2.438	3.187	1.125	EQSPB	24816-2564	2.500	3.000	0.250	91	27023-9014
2.438	3.188	0.945	IGSPB	29516-7069	2.500	3.000	0.250	92	27063-9014
2.438	3.188	1.102	IGSPB	29516-7082	2.500	3.000	0.375	61	24063-2239
2.438	3.192	1.062	EQSPB	24816-7004	2.500	3.000	0.625	IG	29507-5649
2.438	3.250	0.375	23	25003-1735	2.500	3.000	0.690	EQ	24807-5809
2.438	3.250	0.625	EQ	24802-1942	2.500	3.062	0.250	76	26193-7532
2.438	3.313	0.750	IG	29502-2141	2.500	3.125	0.250	71	26001-7089
2.438	3.350	0.625	EQ	24802-3294	2.500	3.125	0.312	26	24600-1686
2.438	3.350	0.625	IG	29519-3294	2.500	3.125	0.312	26R1	24620-1686
2.438	3.375	0.375	61	24060-1537	2.500	3.125	0.312	61	24060-1541
2.438	3.375	0.500	61	24062-1538	2.500	3.125	0.500	61	24060-1542
2.438	3.431	0.625	EQ	24801-3455	2.500	3.125	0.500	61	24061-1542
2.438	3.438	0.625	EQ	24801-1641	2.500	3.188	0.375	26	24600-1801
2.438	3.438	0.750	IG	29500-4280	2.500	3.188	1.102	IGSPB	29516-7083
2.438	3.481	0.500	26	24600-1746	2.500	3.189	0.375	62	21702-1801

All dimensions are in inches. Preferred sizes are indicated with **bold** type face.

Sizes listed are for standard nitrile elements, except Models 25 and 62 which have PTFE elements. Other material available on inquiry only.

Oil Seals by Shaft Size

Garlock

SHAFT	BORE	WIDTH	MODEL NO.	PART NO.	SHAFT	BORE	WIDTH	MODEL NO.	PART NO.
2.500	3.189	0.375	63	21158-1801	2.500	3.375	0.437	61	24060-1544
2.500	3.189	0.375	66	21527-1801	2.500	3.375	0.500	EQ	24801-1788
2.500	3.189	0.375	67	21528-1801	2.500	3.375	0.625	EQ	24801-1212
2.500	3.189	0.375	68	21823-1801	2.500	3.375	0.625	EQ	24802-1212
2.500	3.189	0.437	63	21158-1802	2.500	3.418	0.438	23	25003-4882
2.500	3.189	0.500	63	21158-1803	2.500	3.433	0.625	EQ	24802-3004
2.500	3.189	0.625	EQ	24802-2016	2.500	3.438	0.625	EQ	24801-5785
2.500	3.189	0.625	IG	29507-2016	2.500	3.481	0.375	62	21702-1816
2.500	3.189	0.690	EQ	24807-2025	2.500	3.481	0.375	63	21158-1816
2.500	3.192	1.062	EQSPB	24816-7035	2.500	3.481	0.375	66	21527-1816
2.500	3.194	0.375	23	25003-4599	2.500	3.481	0.437	63	21158-1817
2.500	3.228	0.315	26	24600-3216	2.500	3.481	0.500	63	21158-1818
2.500	3.246	0.375	23	25003-1804	2.500	3.500	0.312	61	24060-1545
2.500	3.246	0.375	63	21158-1804	2.500	3.500	0.375	23	25003-1819
2.500	3.246	0.375	66	21527-1804	2.500	3.500	0.375	26R1	24620-1819
2.500	3.246	0.375	68	21823-1804	2.500	3.500	0.375	62	21702-1819
2.500	3.246	0.437	63	21158-1805	2.500	3.500	0.375	63	21158-1819
2.500	3.246	0.500	63	21158-1806	2.500	3.500	0.375	66	21527-1819
2.500	3.250	0.250	71	26001-7090	2.500	3.500	0.375	67	21528-1819
2.500	3.250	0.375	23	25003-1807	2.500	3.500	0.375	68	21823-1819
2.500	3.250	0.375	25	25058-1807	2.500	3.500	0.437	23	25003-1820
2.500	3.250	0.375	62	21702-1807	2.500	3.500	0.437	26	24600-1820
2.500	3.250	0.375	63	21158-1807	2.500	3.500	0.437	61	24060-1820
2.500	3.250	0.375	66	21527-1807	2.500	3.500	0.437	63	21158-1820
2.500	3.250	0.375	67	21528-1807	2.500	3.500	0.500	23	25003-1821
2.500	3.250	0.375	68	21823-1807	2.500	3.500	0.500	26	24600-1821
2.500	3.250	0.437	61	24060-1808	2.500	3.500	0.500	62	21702-1821
2.500	3.250	0.437	63	21158-1808	2.500	3.500	0.500	63	21158-1821
2.500	3.250	0.500	25	25058-1809	2.500	3.500	0.625	EQ	24801-1818
2.500	3.250	0.500	63	21158-1809	2.500	3.500	0.625	EQ	24802-1818
2.500	3.250	0.500	EQ	24801-1809	2.500	3.500	0.625	IG	29507-1818
2.500	3.250	0.594	63F1	23078-6506	2.500	3.500	0.625	IG	29519-1818
2.500	3.250	0.625	IG	29507-0991	2.500	3.500	0.687	63R1	23547-6465
2.500	3.250	0.687	63R2	23548-7564	2.500	3.500	0.687	63R2	23548-6465
2.500	3.250	0.687	63T2	23550-7564	2.500	3.500	0.687	63T2	23550-6465
2.500	3.250	0.750	IG	29500-4111	2.500	3.500	0.750	63F1	23078-5387
2.500	3.250	0.750	IG	29502-4111	2.500	3.500	0.750	63R1	23547-5387
2.500	3.251	0.375	3	28003-2536	2.500	3.500	0.750	IG	29500-4150
2.500	3.251	0.625	EQ	24802-0991	2.500	3.500	0.750	IG	29502-4150
2.500	3.347	0.375	63	21158-8376	2.500	3.540	0.500	EQ	24801-1823
2.500	3.350	0.250	26	24600-1787	2.500	3.543	0.375	63	21158-1822
2.500	3.350	0.375	63	21158-1810	2.500	3.543	0.375	66	21527-1822
2.500	3.350	0.375	66	21527-1810	2.500	3.543	0.375	67	21528-1822
2.500	3.350	0.469	63	21158-1811	2.500	3.543	0.375	68	21823-1822
2.500	3.350	0.500	63	21158-1812	2.500	3.543	0.437	63	21158-1823
2.500	3.372	0.375	62	21702-1813	2.500	3.543	0.500	63	21158-1824
2.500	3.372	0.375	63	21158-1813	2.500	3.543	0.594	63F1	23078-8573
2.500	3.372	0.375	66	21527-1813	2.500	3.543	0.625	EQ	24802-2662
2.500	3.372	0.500	63	21158-1815	2.500	3.543	0.687	63R2	23548-4844
2.500	3.372	0.594	63F1	23078-9093	2.500	3.543	0.687	63T2	23550-4844
2.500	3.372	0.687	66R1	23722-8728	2.500	3.543	0.750	IG	29500-4683
2.500	3.375	0.375	23	25003-9691	2.500	3.543	0.750	IG	29502-4683

All dimensions are in inches. Preferred sizes are indicated with **bold** type face.

Sizes listed are for standard nitrile elements, except Models 25 and 62 which have PTFE elements. Other material available on inquiry only.

Garlock

Oil Seals by Shaft Size

SHAFT	BORE	WIDTH	MODEL NO.	PART NO.	SHAFT	BORE	WIDTH	MODEL NO.	PART NO.
2.500	3.550	0.625	EQ	24801-1156	2.500	4.724	0.750	IG	29502-5558
2.500	3.562	0.625	EQ	24802-3007	2.500	4.875	0.750	IG	29502-5778
2.500	3.623	0.375	63	21158-1825	2.500	4.937	0.750	IG	29500-4592
2.500	3.623	0.375	66	21527-1825	2.500	5.118	0.750	IG	29502-5579
2.500	3.623	0.437	26	24600-1826	2.505	3.505	0.625	EQ	24802-3099
2.500	3.623	0.437	63	21158-1826	2.519	3.464	0.472	26	24600-0829
2.500	3.623	0.500	63	21158-1827	2.520	3.150	0.315	92	27063-0698
2.500	3.623	0.625	EQ	24801-1252	2.520	3.740	0.750	IG	29500-4747
2.500	3.623	0.750	IG	29502-5042	2.520	4.250	0.625	EQ	24801-4195
2.500	3.625	0.625	EQ	24801-1951	2.530	3.287	0.690	EQ	24807-4132
2.500	3.625	0.625	EQ	24802-1951	2.530	3.287	0.750	IG	29502-4483
2.500	3.625	0.640	IG	29519-5643	2.531	3.246	0.375	63	21158-1837
2.500	3.625	0.687	63R2	23548-8930	2.531	3.250	0.375	63	21158-1840
2.500	3.625	0.750	IG	29502-5793	2.531	3.250	0.437	63	21158-1841
2.500	3.671	0.375	63	21158-5080	2.531	3.347	0.375	63	21158-8377
2.500	3.725	0.625	EQ	24801-3061	2.531	3.372	0.375	63	21158-1846
2.500	3.750	0.375	26	24600-1828	2.531	3.481	0.375	63	21158-1849
2.500	3.750	0.375	61	24060-1828	2.531	3.500	0.375	63	21158-1852
2.500	3.750	0.687	26R1	24620-3987	2.531	3.543	0.375	63	21158-1855
2.500	3.750	0.750	IG	29500-4374	2.531	3.543	0.500	63	21158-1857
2.500	3.750	0.750	IG	29502-4374	2.531	3.623	0.375	63	21158-1858
2.500	3.751	0.375	62	21702-1828	2.531	3.751	0.500	63	21158-1863
2.500	3.751	0.375	63	21158-1828	2.531	3.876	0.375	63	21158-1864
2.500	3.751	0.375	66	21527-1828	2.531	3.937	0.375	63	21158-7929
2.500	3.751	0.375	67	21528-1828	2.531	4.003	0.375	63	21158-1867
2.500	3.751	0.375	68	21823-1828	2.531	4.725	0.375	26R1	24620-3459
2.500	3.751	0.437	63	21158-1829	2.531	4.725	0.375	94	27223-8959
2.500	3.751	0.500	63	21158-1830	2.540	3.540	0.750	IG	29502-5001
2.500	3.751	0.687	63R2	23548-6566	2.543	3.543	0.625	IG	29507-5013
2.500	3.751	0.687	63T2	23550-6566	2.550	3.550	0.625	EQ	24802-3234
2.500	3.751	0.687	67R2	23683-6566	2.550	3.550	0.750	IG	29502-5718
2.500	3.875	0.468	26R1	24620-5758	2.554	3.375	0.750	IG	29502-5706
2.500	3.875	0.750	IG	29502-5045	2.554	3.554	0.750	IG	29502-4772
2.500	3.876	0.375	63	21158-1831	2.556	3.556	0.625	IG	29507-5016
2.500	3.876	0.375	66	21527-1831	2.558	3.558	0.750	IG	29502-4630
2.500	3.876	0.687	63R2	23548-4734	2.559	3.150	0.394	61	24060-1847
2.500	3.937	0.375	62	21702-4845	2.559	3.228	0.625	IG	29507-5544
2.500	3.937	0.375	63	21158-4845	2.559	3.346	0.394	23	25003-0710
2.500	4.000	0.500	26	24600-1794	2.559	3.346	0.394	61	24060-0710
2.500	4.000	0.750	IG	29502-5143	2.559	3.346	0.394	92	27063-0710
2.500	4.003	0.375	26	24600-3988	2.559	3.346	0.625	EQ	24802-2816
2.500	4.003	0.375	62	21702-1834	2.559	3.346	0.750	IG	29502-4532
2.500	4.003	0.375	63	21158-1834	2.559	3.464	0.472	26R1	24620-1859
2.500	4.003	0.375	66	21527-1834	2.559	3.465	0.625	EQ	24802-1858
2.500	4.003	0.375	67	21528-1834	2.559	3.500	0.625	EQ	24802-1807
2.500	4.003	0.375	68	21823-1834	2.559	3.543	0.375	23	25003-9162
2.500	4.003	0.500	63	21158-1836	2.559	3.543	0.394	61	24060-0729
2.500	4.003	0.687	63R2	23548-6966	2.559	3.543	0.394	92	27063-0729
2.500	4.250	0.625	EQ	24801-4631	2.559	3.543	0.625	EQ	24802-1883
2.500	4.375	0.625	EQ	24802-1834	2.559	3.543	0.750	IG	29500-4721
2.500	4.375	0.750	IG	29502-4353	2.559	3.543	0.750	IG	29502-4721
2.500	4.500	0.437	61	24060-1547	2.559	3.583	0.625	IG	29519-3114

All dimensions are in inches. Preferred sizes are indicated with **bold** type face.

Sizes listed are for standard nitrile elements, except Models 25 and 62 which have PTFE elements. Other material available on inquiry only.

Oil Seals by Shaft Size

Garlock

SHAFT	BORE	WIDTH	MODEL NO.	PART NO.	SHAFT	BORE	WIDTH	MODEL NO.	PART NO.
2.559	3.583	0.750	IG	29502-5795	2.570	3.250	0.375	61	24060-2266
2.559	3.620	0.625	EQ	24802-3735	2.594	3.350	0.375	62	21702-1903
2.559	3.740	0.394	92	27063-0733	2.598	3.386	0.500	EQ	24801-1747
2.559	3.760	0.788	IGSPB	29516-5411	2.619	3.682	0.750	IG	29502-5154
2.559	3.937	0.750	IG	29502-4966	2.622	3.046	0.690	EQ	24807-3831
2.559	4.134	0.750	IG	29502-5646	2.622	3.346	0.690	EQ	24807-3835
2.559	4.331	0.750	IG	29500-5367	2.625	3.250	0.187	71	26001-7092
2.559	4.724	0.750	IG	29502-5803	2.625	3.250	0.312	61	24060-1549
2.560	3.544	0.315	63	21158-1861	2.625	3.250	0.375	61	24060-1550
2.560	3.560	0.625	EQ	24802-3170	2.625	3.250	0.375	61	24061-1550
2.562	3.246	0.375	63	21158-1870	2.625	3.250	0.625	IG	29507-1976
2.562	3.250	0.375	63	21158-1873	2.625	3.250	0.625	IG	29507-1976
2.562	3.250	0.687	63R2	23548-6641	2.625	3.350	0.375	63	21158-1930
2.562	3.347	0.375	63	21158-8378	2.625	3.350	0.375	66	21527-1930
2.562	3.372	0.375	63	21158-1879	2.625	3.350	0.469	63	21158-5398
2.562	3.437	0.500	EQ	24801-1129	2.625	3.350	0.500	63	21158-1932
2.562	3.437	0.625	EQ	24802-1098	2.625	3.350	0.594	63F1	23078-6866
2.562	3.439	0.375	23	25003-2617	2.625	3.371	0.625	EQ	24802-2520
2.562	3.481	0.375	62	21072-1882	2.625	3.372	0.375	62	21702-1933
2.562	3.481	0.375	63	21158-1882	2.625	3.372	0.375	63	21158-1933
2.562	3.500	0.375	23	25003-1885	2.625	3.372	0.375	66	21527-1933
2.562	3.500	0.375	63	21158-1885	2.625	3.372	0.500	63	21158-1935
2.562	3.500	0.437	63	21158-1886	2.625	3.374	0.719	63F1	23078-5686
2.562	3.500	0.500	63	21158-1887	2.625	3.375	0.375	63	21158-5407
2.562	3.500	0.594	63F1	23078-6700	2.625	3.375	0.437	26	24600-1838
2.562	3.502	0.625	EQ	24801-1887	2.625	3.375	0.437	61	24060-1551
2.562	3.543	0.375	63	21158-1888	2.625	3.375	0.625	EQ	24801-1962
2.562	3.543	0.500	63	21158-1890	2.625	3.375	0.625	EQ	24802-1962
2.562	3.562	0.625	EQ	24801-1251	2.625	3.481	0.375	63	21158-1936
2.562	3.562	0.625	EQ	24802-1251	2.625	3.481	0.375	66	21527-1936
2.562	3.562	0.625	IG	29507-1251	2.625	3.484	0.750	IG	29502-4332
2.562	3.562	0.750	IG	29502-4281	2.625	3.489	0.625	EQ	24802-1203
2.562	3.623	0.375	63	21158-1891	2.625	3.500	0.375	23	25003-1939
2.562	3.623	0.437	62	21702-1892	2.625	3.500	0.375	25	25058-1939
2.562	3.623	0.437	63	21158-1892	2.625	3.500	0.375	26	24600-1939
2.562	3.623	0.500	63	21158-1893	2.625	3.500	0.375	61	24060-1939
2.562	3.751	0.375	23	25003-1894	2.625	3.500	0.375	62	21702-1939
2.562	3.751	0.375	63	21158-1894	2.625	3.500	0.375	63	21158-1939
2.562	3.751	0.500	63	21158-1896	2.625	3.500	0.375	66	21527-1939
2.562	3.876	0.375	63	21158-1897	2.625	3.500	0.500	23	25003-1941
2.562	3.876	0.500	63	21158-1899	2.625	3.500	0.500	63	21158-1941
2.562	3.937	0.375	63	21158-6300	2.625	3.500	0.500	EQ	24801-1941
2.562	3.937	0.375	94	27223-6300	2.625	3.500	0.625	EQ	24801-1893
2.562	4.003	0.375	63	21158-1900	2.625	3.500	0.625	EQ	24802-1893
2.562	4.003	0.500	63	21158-1902	2.625	3.500	0.687	63R1	23547-7187
2.562	4.125	0.625	EQ	24802-3244	2.625	3.500	0.687	63R2	23548-7187
2.562	4.725	0.375	94	27223-6301	2.625	3.500	0.687	63T2	23550-7187
2.562	5.512	0.375	94	27223-6302	2.625	3.500	0.750	63T2	23550-5257
2.563	3.198	0.974	IGSPB	29516-7079	2.625	3.500	0.750	IG	29502-4438
2.563	3.500	0.375	26	24600-1627	2.625	3.543	0.375	23	25003-1942
2.563	3.512	0.625	EQ	24802-1887	2.625	3.543	0.375	63	21158-1942
2.569	3.569	0.625	EQ	24802-3016	2.625	3.543	0.375	66	21527-1942

All dimensions are in inches. Preferred sizes are indicated with **bold** type face.

Sizes listed are for standard nitrile elements, except Models 25 and 62 which have PTFE elements. Other material available on inquiry only.

SHAFT	BORE	WIDTH	MODEL NO.	PART NO.	SHAFT	BORE	WIDTH	MODEL NO.	PART NO.
2.625	3.543	0.500	63	21158-1944	2.625	5.250	0.750	IG	29502-5815
2.625	3.543	0.750	IG	29502-5163	2.628	3.750	0.625	EQ	24802-1740
2.625	3.623	0.375	25	25058-1945	2.650	3.630	0.625	EQ	24802-3514
2.625	3.623	0.375	62	21702-1945	2.656	3.543	0.375	63	21158-1969
2.625	3.623	0.375	63	21158-1945	2.656	3.623	0.375	63	21158-1972
2.625	3.623	0.375	66	21527-1945	2.656	3.751	0.375	63	21158-1975
2.625	3.623	0.437	63	21158-1946	2.656	3.937	0.375	63	21158-7931
2.625	3.623	0.469	63	21158-5581	2.656	4.003	0.375	63	21158-1981
2.625	3.623	0.500	62	21702-1947	2.656	4.003	0.625	EQ	24802-2635
2.625	3.623	0.500	63	21158-1947	2.675	3.350	0.375	61	24060-2451
2.625	3.623	0.594	63F1	23078-7776	2.676	3.362	0.625	IG	29507-4484
2.625	3.625	0.375	23	25003-1958	2.677	3.543	0.394	92	27063-0735
2.625	3.625	0.437	61	24060-1842	2.677	3.543	0.500	EQ	24801-1984
2.625	3.625	0.438	26	24600-1842	2.677	3.937	0.394	92	27063-0749
2.625	3.625	0.500	23	25003-1844	2.677	4.000	0.750	IG	29502-5773
2.625	3.625	0.625	EQ	24801-1841	2.685	3.998	0.750	IG	29502-4541
2.625	3.625	0.625	EQ	24802-1841	2.687	3.372	0.375	62	21702-1987
2.625	3.625	0.687	63R1	23547-5483	2.687	3.372	0.375	63	21158-1987
2.625	3.625	0.687	63R2	23548-5483	2.687	3.375	0.375	61	24060-2920
2.625	3.625	0.750	IG	29502-4151	2.687	3.481	0.375	63	21158-1990
2.625	3.628	0.625	EQ	24801-2014	2.687	3.500	0.375	62	21702-1993
2.625	3.670	0.750	IG	29502-5080	2.687	3.500	0.375	63	21158-1993
2.625	3.675	0.750	IG	29502-4179	2.687	3.500	0.437	63	21158-1994
2.625	3.677	0.625	EQ	24802-1086	2.687	3.500	0.594	63F1	23078-6244
2.625	3.677	0.750	IG	29502-4125	2.687	3.500	0.625	EQ	24802-2003
2.625	3.683	0.625	EQ	24802-3650	2.687	3.543	0.375	63	21158-1996
2.625	3.688	0.625	EQ	24802-1087	2.687	3.623	0.375	63	21158-1999
2.625	3.688	0.750	IG	29502-4126	2.687	3.623	0.500	63	21158-2001
2.625	3.750	0.500	26	24600-1950	2.687	3.623	0.687	63R2	23548-9040
2.625	3.750	0.500	EQ	24801-1950	2.687	3.687	0.375	23	25003-9510
2.625	3.750	0.625	EQ	24802-1162	2.687	3.687	0.625	EQ	24802-2736
2.625	3.750	0.750	IG	29500-5772	2.687	3.751	0.375	63	21158-2002
2.625	3.750	0.750	IG	29502-5772	2.687	3.751	0.437	63	21158-2003
2.625	3.751	0.375	62	21702-1948	2.687	3.751	0.500	26	24600-2004
2.625	3.751	0.375	63	21158-1948	2.687	3.751	0.500	62	21702-2004
2.625	3.751	0.375	66	21527-1948	2.687	3.751	0.500	63	21158-2004
2.625	3.751	0.500	63	21158-1950	2.687	3.751	0.594	63F1	23078-8679
2.625	3.751	0.687	63R2	23548-6651	2.687	3.751	0.687	63R1	23547-7210
2.625	3.751	0.687	63T2	23550-6651	2.687	3.876	0.375	63	21158-2005
2.625	3.751	0.687	66R2	23702-6651	2.687	3.876	0.437	63	21158-2006
2.625	3.876	0.375	63	21158-1951	2.687	3.876	0.500	63	21158-2007
2.625	3.876	0.375	66	21527-1951	2.687	3.876	0.594	63F1	23078-9694
2.625	3.876	0.437	63	21158-1952	2.687	3.876	0.687	63T2	23550-5886
2.625	3.937	0.375	63	21158-7800	2.687	3.881	0.468	23	25003-2013
2.625	4.000	0.750	IG	29502-5073	2.687	3.937	0.375	63	21158-7932
2.625	4.003	0.375	63	21158-1954	2.687	4.000	0.375	94	27223-7217
2.625	4.003	0.375	66	21527-1954	2.687	4.003	0.375	62	21702-2008
2.625	4.003	0.437	63	21158-1955	2.687	4.003	0.375	63	21158-2008
2.625	4.003	0.500	63	21158-1956	2.687	4.003	0.500	63	21158-2010
2.625	4.003	0.687	63R2	23548-6800	2.687	4.003	0.687	63T2	23550-6589
2.625	4.003	0.750	IG	29502-5065	2.688	3.372	0.375	26	24600-1987
2.625	4.050	0.750	IG	29502-5472	2.688	3.500	0.375	61	24060-1993

All dimensions are in inches. Preferred sizes are indicated with **bold** type face.

Sizes listed are for standard nitrile elements, except Models 25 and 62 which have PTFE elements. Other material available on inquiry only.

Oil Seals by Shaft Size

Garlock

SHAFT	BORE	WIDTH	MODEL NO.	PART NO.	SHAFT	BORE	WIDTH	MODEL NO.	PART NO.
2.688	3.543	0.625	EQ	24802-3023	2.750	3.500	0.437	63	21158-2036
2.688	3.563	1.102	IGSPB	29516-7094	2.750	3.500	0.500	26	24600-2037
2.688	3.574	1.062	EQSPB	24816-7021	2.750	3.500	0.500	26R1	24620-2037
2.688	3.625	0.500	61	24063-1230	2.750	3.500	0.500	61	24060-2037
2.688	3.688	0.750	IG	29502-4282	2.750	3.500	0.500	61	24061-2037
2.688	3.875	0.468	26	24600-1848	2.750	3.500	0.500	63	21158-2037
2.710	3.710	0.750	IG	29502-4818	2.750	3.500	0.500	66	21527-2037
2.717	3.752	0.625	EQ	24802-2010	2.750	3.500	0.500	EQ	24801-2037
2.718	3.700	0.750	IG	29502-5404	2.750	3.500	0.562	94	27223-5572
2.719	3.481	0.375	63	21158-2011	2.750	3.500	0.594	63F1	23078-7829
2.719	3.481	0.375	66	21527-2011	2.750	3.500	0.625	EQ	24802-1238
2.719	3.500	0.375	63	21158-2014	2.750	3.500	0.625	IG	29507-1238
2.719	3.500	0.375	66	21527-2014	2.750	3.500	0.625	IG	29519-1238
2.719	3.543	0.375	63	21158-2017	2.750	3.500	0.687	63R2	23548-6716
2.719	3.623	0.375	63	21158-2020	2.750	3.500	0.690	EQ	24807-3779
2.719	3.623	0.375	66	21527-2020	2.750	3.500	0.750	IG	29502-4187
2.719	3.751	0.375	63	21158-2023	2.750	3.543	0.375	62	21702-2038
2.719	3.751	0.375	66	21527-2023	2.750	3.543	0.375	63	21158-2038
2.719	3.751	0.500	63	21158-2025	2.750	3.543	0.375	66	21527-2038
2.719	3.876	0.500	63	21158-2028	2.750	3.543	0.375	67	21528-2038
2.719	3.937	0.375	63	21158-7933	2.750	3.543	0.375	68	21823-2038
2.719	4.003	0.375	63	21158-2029	2.750	3.543	0.437	26	24600-2039
2.719	4.003	0.375	66	21527-2029	2.750	3.543	0.437	63	21158-2039
2.719	4.003	0.500	63	21158-2031	2.750	3.543	0.500	63	21158-2040
2.719	4.003	0.594	63F1	23078-5693	2.750	3.543	0.500	EQ	24801-1041
2.726	3.500	0.750	IG	29502-5420	2.750	3.543	0.625	EQ	24802-1242
2.726	3.726	0.625	EQ	24802-4469	2.750	3.560	0.690	EQ	24807-2830
2.746	3.746	0.625	IG	29507-5014	2.750	3.623	0.375	62	21702-2041
2.746	3.746	0.750	IG	29502-4589	2.750	3.623	0.375	63	21158-2041
2.750	3.125	0.109	71	26001-7093	2.750	3.623	0.375	66	21527-2041
2.750	3.125	0.187	71	26001-6304	2.750	3.623	0.375	67	21528-2041
2.750	3.250	0.625	IG	29507-4793	2.750	3.623	0.375	68	21823-2041
2.750	3.375	0.312	26	24600-2020	2.750	3.623	0.437	63	21158-2042
2.750	3.375	0.312	61	24060-1553	2.750	3.623	0.500	63	21158-2043
2.750	3.375	0.437	61	24060-1554	2.750	3.625	0.438	23	25003-2054
2.750	3.481	0.375	62	21702-2032	2.750	3.625	0.438	26	24600-2054
2.750	3.481	0.375	63	21158-2032	2.750	3.625	0.438	26R1	24620-2054
2.750	3.481	0.375	66	21527-2032	2.750	3.625	0.625	EQ	24801-2264
2.750	3.481	0.375	67	21528-2032	2.750	3.625	0.625	EQ	24802-2264
2.750	3.481	0.375	68	21823-2032	2.750	3.625	0.750	IG	29502-4708
2.750	3.481	0.500	63	21158-2034	2.750	3.720	0.750	IG	29502-5005
2.750	3.500	0.250	26	24600-0795	2.750	3.750	0.375	23	25003-2057
2.750	3.500	0.375	3	28003-2683	2.750	3.750	0.375	61	24060-2057
2.750	3.500	0.375	23	25003-2035	2.750	3.750	0.438	26	24600-2058
2.750	3.500	0.375	26	24600-2035	2.750	3.750	0.438	26R1	24620-2058
2.750	3.500	0.375	26R1	24620-2035	2.750	3.750	0.500	23	25003-6471
2.750	3.500	0.375	61	24060-2035	2.750	3.750	0.500	25	25058-6471
2.750	3.500	0.375	62	21702-2035	2.750	3.750	0.500	26	24600-6471
2.750	3.500	0.375	63	21158-2035	2.750	3.750	0.500	61	24060-6471
2.750	3.500	0.375	66	21527-2035	2.750	3.750	0.500	66	21527-6471
2.750	3.500	0.375	67	21528-2035	2.750	3.750	0.625	EQ	24802-1250
2.750	3.500	0.375	68	21823-2035	2.750	3.750	0.750	IG	29500-4152

All dimensions are in inches. Preferred sizes are indicated with **bold** type face.

Sizes listed are for standard nitrile elements, except Models 25 and 62 which have PTFE elements. Other material available on inquiry only.

SHAFT	BORE	WIDTH	MODEL NO.	PART NO.	SHAFT	BORE	WIDTH	MODEL NO.	PART NO.
2.750	3.750	0.750	IG	29502-4152	2.755	3.543	0.375	23	25003-4765
2.750	3.751	0.375	3	28003-2710	2.755	3.622	0.472	26R1	24620-2027
2.750	3.751	0.375	23	25003-2044	2.755	3.741	0.625	EQ	24802-3107
2.750	3.751	0.375	62	21702-2044	2.755	3.741	0.625	IG	29507-3107
2.750	3.751	0.375	63	21158-2044	2.755	3.750	0.625	EQ	24802-1810
2.750	3.751	0.375	66	21527-2044	2.755	3.755	0.625	EQ	24802-3012
2.750	3.751	0.375	67	21528-2044	2.756	3.346	0.315	26R1	24620-2026
2.750	3.751	0.375	68	21823-2044	2.756	3.543	0.237	26	24600-2071
2.750	3.751	0.437	62	21702-2045	2.756	3.543	0.394	26	24600-2070
2.750	3.751	0.437	63	21158-2045	2.756	3.543	0.394	61	24060-2038
2.750	3.751	0.500	62	21702-2046	2.756	3.543	0.472	26R1	24620-1032
2.750	3.751	0.500	63	21158-2046	2.756	3.543	0.472	61	24060-2814
2.750	3.751	0.687	26	24600-2033	2.756	3.543	0.500	EQ	24801-2067
2.750	3.751	0.687	63R1	23547-6467	2.756	3.543	0.625	EQ	24801-2919
2.750	3.751	0.687	63R2	23548-6467	2.756	3.543	0.625	EQ	24802-2059
2.750	3.751	0.687	63T2	23550-6467	2.756	3.543	0.750	IG	29502-4969
2.750	3.751	0.750	63F1	23078-7339	2.756	3.622	0.500	EQ	24801-2078
2.750	3.755	0.500	EQ	24801-1147	2.756	3.622	0.625	EQ	24802-5095
2.750	3.772	1.000	EQSPB	24816-7042	2.756	3.740	0.750	IG	29502-4192
2.750	3.875	0.375	3	28003-2719	2.756	3.937	0.394	92	27063-0759
2.750	3.875	0.500	61	24060-2049	2.756	3.937	0.500	EQ	24801-2087
2.750	3.875	0.500	EQ	24801-0901	2.756	3.937	0.625	EQ	24801-2250
2.750	3.875	0.625	EQ	24801-2062	2.756	3.937	0.625	EQ	24802-2250
2.750	3.875	0.625	EQ	24802-2062	2.756	4.331	0.500	26	24600-2274
2.750	3.876	0.375	62	21702-2047	2.756	4.331	0.625	EQ	24802-3989
2.750	3.876	0.375	63	21158-2047	2.775	3.775	0.750	IG	29502-5647
2.750	3.876	0.375	66	21527-2047	2.781	3.500	0.375	26	24600-0845
2.750	3.876	0.437	62	21702-2048	2.795	3.465	0.472	26	24600-2077
2.750	3.876	0.437	63	21158-2048	2.812	3.500	0.375	62	21702-2077
2.750	3.876	0.500	62	21702-2049	2.812	3.500	0.375	63	21158-2077
2.750	3.876	0.500	63	21158-2049	2.812	3.543	0.375	63	21158-2080
2.750	3.881	0.750	26R1	24620-9094	2.812	3.560	0.375	23	25003-0806
2.750	3.937	0.375	63	21158-7934	2.812	3.569	1.375	EQSPB	24816-7032
2.750	3.983	0.500	23	25003-1086	2.812	3.580	0.625	EQ	24802-1982
2.750	4.000	0.500	23	25003-2030	2.812	3.623	0.375	63	21158-2083
2.750	4.000	0.625	EQ	24802-2957	2.812	3.623	0.500	63	21158-2085
2.750	4.000	0.750	IG	29502-4706	2.812	3.751	0.375	62	21702-2086
2.750	4.003	0.375	63	21158-2050	2.812	3.751	0.375	63	21158-2086
2.750	4.003	0.375	66	21527-2050	2.812	3.751	0.500	62	21702-2088
2.750	4.003	0.375	67	21528-2050	2.812	3.751	0.500	63	21158-2088
2.750	4.003	0.375	68	21823-2050	2.812	3.751	0.687	63R2	23548-7159
2.750	4.003	0.469	26	24600-2065	2.812	3.812	0.750	IG	29502-4283
2.750	4.003	0.500	62	21702-2052	2.812	3.875	0.469	63	21158-7143
2.750	4.003	0.500	63	21158-2052	2.812	3.876	0.375	63	21158-2089
2.750	4.003	0.687	63R2	23548-7177	2.812	3.876	0.437	23	25003-2090
2.750	4.125	0.438	26	24600-2068	2.812	3.876	0.437	63	21158-2090
2.750	4.125	0.625	EQ	24802-2634	2.812	3.876	0.500	63	21158-2091
2.750	4.375	0.625	EQ	24802-3174	2.812	3.937	0.375	63	21158-7936
2.750	4.533	0.625	EQ	24802-3381	2.812	4.002	0.750	IG	29500-4834
2.750	4.625	0.625	26	24600-2021	2.812	4.003	0.375	63	21158-2092
2.750	5.000	0.500	61	24060-1559	2.812	4.003	0.437	63	21158-2093
2.750	6.000	0.625	54	21140-6005	2.812	4.003	0.500	63	21158-2094

All dimensions are in inches. Preferred sizes are indicated with **bold** type face.
 Sizes listed are for standard nitrile elements, except Models 25 and 62 which have PTFE elements. Other material available on inquiry only.

Oil Seals by Shaft Size

Garlock

SHAFT	BORE	WIDTH	MODEL NO.	PART NO.	SHAFT	BORE	WIDTH	MODEL NO.	PART NO.
2.812	4.003	0.594	63F1	23078-9070	2.875	3.751	0.687	63R2	23548-6730
2.813	3.563	1.102	IGSPB	29516-7085	2.875	3.875	0.375	3	28003-2791
2.813	3.750	0.375	61	24060-7159	2.875	3.875	0.375	23	25003-2121
2.813	3.751	0.438	61	24060-2526	2.875	3.875	0.375	26	24600-2121
2.813	3.751	0.625	EQ	24801-2676	2.875	3.875	0.500	61	24060-2123
2.819	3.813	0.750	IG	29502-5329	2.875	3.875	0.625	EQ	24801-1268
2.820	3.843	0.750	IG	29502-5396	2.875	3.875	0.625	EQ	24802-1268
2.835	3.543	0.394	92	27063-0770	2.875	3.875	0.750	IG	29502-4153
2.835	3.740	0.375	23	25003-1039	2.875	3.876	0.375	63	21158-2121
2.835	3.740	0.394	92	27063-0776	2.875	3.876	0.437	63	21158-2122
2.835	3.937	0.394	92	27063-0791	2.875	3.876	0.500	63	21158-2123
2.844	3.623	0.375	62	21702-2098	2.875	3.876	0.687	63R2	23548-1171
2.844	3.623	0.375	63	21158-2098	2.875	3.937	0.375	63	21158-7938
2.844	3.623	0.500	63	21158-2100	2.875	4.000	0.468	26	24600-2113
2.844	3.751	0.375	62	21702-2101	2.875	4.000	0.500	61	24060-1560
2.844	3.751	0.375	63	21158-2101	2.875	4.000	0.625	EQ	24802-2843
2.844	3.751	0.500	62	21702-2103	2.875	4.000	0.750	IG	29500-4331
2.844	3.751	0.500	63	21158-2103	2.875	4.000	0.750	IG	29502-4331
2.844	3.937	0.375	63	21158-7937	2.875	4.003	0.375	62	21702-2124
2.844	4.003	0.375	63	21158-2107	2.875	4.003	0.375	63	21158-2124
2.850	3.650	0.625	EQ	24801-4741	2.875	4.003	0.437	63	21158-2125
2.857	3.857	0.375	23	25003-0128	2.875	4.003	0.500	63	21158-2126
2.863	4.724	0.500	63	21158-6627	2.875	4.003	0.594	63F1	23078-6680
2.863	4.724	0.500	76	26193-6627	2.875	4.003	0.625	EQ	24801-1205
2.874	3.543	0.393	61	24060-2508	2.875	4.003	0.625	EQ	24802-1205
2.875	3.375	0.625	IG	29507-5062	2.875	4.003	0.687	63R2	23548-6599
2.875	3.500	0.312	26	24600-2114	2.875	4.003	0.687	63T2	23550-6599
2.875	3.500	0.312	61	24060-1556	2.875	4.003	0.687	66R2	23702-6599
2.875	3.500	0.625	IG	29507-4564	2.875	4.125	0.406	63	21158-2127
2.875	3.563	1.102	IG	29516-7077	2.875	4.125	0.469	63	21158-2128
2.875	3.623	0.375	23	25003-2115	2.875	4.125	0.500	23	25003-5127
2.875	3.623	0.375	62	21702-2115	2.875	4.125	0.719	63F1	23078-6762
2.875	3.623	0.375	63	21158-2115	2.875	4.125	0.750	IG	29502-4215
2.875	3.623	0.437	63	21158-2116	2.875	4.134	0.750	IG	29500-4694
2.875	3.623	0.500	63	21158-2117	2.875	4.250	0.750	IG	29502-5312
2.875	3.625	0.375	23	25003-2110	2.875	4.375	0.625	EQ	24802-5069
2.875	3.625	0.438	23	25003-2111	2.875	4.380	0.625	EQ	24802-1878
2.875	3.625	0.625	EQ	24801-2086	2.875	4.625	0.625	EQ	24802-3093
2.875	3.625	0.625	EQ	24802-2086	2.875	4.625	0.750	IG	29502-4386
2.875	3.625	0.750	IG	29502-4548	2.880	3.625	0.375	61	24060-2059
2.875	3.750	0.375	23	25003-2118	2.880	3.625	0.375	61	24061-2059
2.875	3.750	0.625	EQ	24801-1081	2.883	3.633	0.375	23	25003-0993
2.875	3.750	0.625	EQ	24802-1081	2.900	3.900	0.625	EQ	24802-3137
2.875	3.750	0.750	IG	29502-4479	2.901	3.601	0.232	26	24600-2137
2.875	3.751	0.250	26R1	24620-4021	2.906	3.623	0.375	63	21158-2129
2.875	3.751	0.375	3	28003-2782	2.906	3.751	0.437	63	21158-2133
2.875	3.751	0.375	62	21702-2118	2.906	3.876	0.375	63	21158-2135
2.875	3.751	0.375	63	21158-2118	2.906	3.937	0.375	63	21158-7939
2.875	3.751	0.500	26	24600-2120	2.906	4.003	0.375	63	21158-2138
2.875	3.751	0.500	62	21702-2120	2.906	4.125	0.406	63	21158-2141
2.875	3.751	0.500	63	21158-2120	2.906	4.125	0.469	63	21158-2142
2.875	3.751	0.687	63R1	23547-6730	2.925	3.925	0.750	IG	29502-5469

All dimensions are in inches. Preferred sizes are indicated with **bold** type face.

Sizes listed are for standard nitrile elements, except Models 25 and 62 which have PTFE elements. Other material available on inquiry only.

SHAFT	BORE	WIDTH	MODEL NO.	PART NO.	SHAFT	BORE	WIDTH	MODEL NO.	PART NO.
2.932	3.806	0.625	EQ	24802-3493	2.937	4.480	1.062	EQSPB	24816-7060
2.932	3.806	0.690	EQ	24807-3504	2.938	3.544	0.625	IG	29507-5153
2.932	3.932	0.625	EQ	24802-3513	2.938	3.623	0.625	IG	29507-4522
2.933	3.750	0.625	EQ	24802-3086	2.938	3.625	0.312	61	24060-1562
2.937	3.623	0.375	62	21702-2143	2.938	3.688	0.625	EQ	24801-1908
2.937	3.623	0.375	63	21158-2143	2.938	3.750	0.375	23	25003-2146
2.937	3.623	0.500	63	21158-2145	2.938	3.750	0.375	26	24600-2146
2.937	3.623	0.687	63R2	23548-8863	2.938	3.750	0.375	61	24060-2146
2.937	3.623	0.690	EQ	24807-2138	2.938	3.750	0.500	61	24060-2148
2.937	3.625	0.375	26	24600-2144	2.938	3.750	0.750	IG	29502-4850
2.937	3.625	0.690	EQ	24807-2153	2.938	3.812	0.625	EQ	24802-1142
2.937	3.687	0.375	23	25003-7833	2.938	3.813	1.007	IGSPB	29516-7095
2.937	3.688	0.500	EQ	24801-2145	2.938	3.817	1.000	IGSPB	29516-4832
2.937	3.750	0.625	EQ	24802-1980	2.938	3.875	0.375	61	24060-2149
2.937	3.751	0.375	62	21702-2146	2.938	3.875	0.437	61	24060-2150
2.937	3.751	0.375	63	21158-2146	2.938	3.875	0.500	61	24060-2151
2.937	3.751	0.437	62	21702-2147	2.938	3.875	0.625	IG	29519-5806
2.937	3.751	0.437	63	21158-2147	2.938	3.905	0.484	23	25003-1256
2.937	3.751	0.500	63	21158-2148	2.938	3.938	0.500	EQ	24801-2159
2.937	3.817	1.062	EQSPB	24816-7022	2.938	3.938	0.625	EQ	24802-2083
2.937	3.875	0.500	26	24600-2151	2.938	3.938	0.750	IG	29502-4284
2.937	3.876	0.375	23	25003-2149	2.938	3.940	1.062	IGSPB	29516-7106
2.937	3.876	0.375	63	21158-2149	2.938	3.956	1.375	EQSPB	24816-7017
2.937	3.876	0.437	63	21158-2150	2.938	4.000	0.500	23	25003-0895
2.937	3.876	0.500	63	21158-2151	2.938	4.000	0.500	61	24060-0917
2.937	3.876	0.687	63R1	23547-8470	2.938	4.000	0.750	IG	29502-4594
2.937	3.906	0.484	23	25003-8488	2.938	4.003	0.375	23	25003-2152
2.937	3.937	0.375	23	25003-7596	2.938	4.003	0.750	IG	29502-5127
2.937	3.937	0.375	61	24060-7596	2.938	4.008	0.468	26	24600-2081
2.937	3.937	0.375	62	21702-7596	2.938	4.064	0.500	23	25003-2946
2.937	3.937	0.375	63	21158-7596	2.938	4.125	0.750	IG	29502-4544
2.937	3.937	0.500	23	25003-2140	2.938	4.173	0.879	IGSPB	29516-7115
2.937	3.937	0.500	23	25003-6351	2.938	4.295	0.750	IG	29502-4838
2.937	4.000	0.375	23	25003-8385	2.938	4.500	0.750	IG	29502-5413
2.937	4.000	0.500	23	25003-0917	2.942	3.942	0.750	IG	29502-4770
2.937	4.000	0.500	EQ	24801-2167	2.950	3.460	0.625	IG	29507-4398
2.937	4.000	0.750	IG	29500-4648	2.950	3.950	0.750	IG	29502-5697
2.937	4.003	0.375	25	25058-2152	2.950	3.960	0.625	EQ	24802-3519
2.937	4.003	0.375	63	21158-2152	2.950	4.000	0.750	IG	29502-5742
2.937	4.003	0.437	23	25003-2153	2.950	4.250	0.625	EQ	24802-3736
2.937	4.003	0.437	63	21158-2153	2.952	4.000	0.625	EQ	24802-1811
2.937	4.003	0.500	25	25058-2154	2.953	3.543	0.394	61	24062-2377
2.937	4.003	0.500	62	21702-2154	2.953	3.740	0.394	92	27063-0797
2.937	4.003	0.500	63	21158-2154	2.953	3.740	0.511	26	24600-3663
2.937	4.003	0.594	63F1	23078-6585	2.953	3.740	0.512	61	24060-1848
2.937	4.003	0.625	EQ	24802-0997	2.953	3.740	0.625	EQ	24802-3316
2.937	4.003	0.687	63R1	23547-6588	2.953	3.740	0.625	IG	29507-3316
2.937	4.003	0.687	63TF	23735-6588	2.953	3.740	0.690	EQ	24807-3312
2.937	4.125	0.406	63	21158-2155	2.953	3.740	0.750	IG	29500-4822
2.937	4.125	0.562	63	21158-9481	2.953	3.740	0.750	IG	29502-4822
2.937	4.125	0.719	63F1	23078-7722	2.953	3.937	0.375	23	25003-2966
2.937	4.125	0.719	63T2	23550-7722	2.953	3.937	0.375	61	24060-2966

All dimensions are in inches. Preferred sizes are indicated with **bold** type face. Sizes listed are for standard nitrile elements, except Models 25 and 62 which have PTFE elements. Other material available on inquiry only.

Oil Seals by Shaft Size

Garlock

SHAFT	BORE	WIDTH	MODEL NO.	PART NO.	SHAFT	BORE	WIDTH	MODEL NO.	PART NO.
2.953	3.937	0.394	61	24060-0809	3.000	3.751	0.375	67	21528-2168
2.953	3.937	0.394	92	27063-0809	3.000	3.751	0.375	68	21823-2168
2.953	3.937	0.500	EQ	24801-1078	3.000	3.751	0.438	63	21158-2169
2.953	3.937	0.512	26	24600-0827	3.000	3.751	0.500	62	21702-2170
2.953	3.937	0.512	58	21003-1921	3.000	3.751	0.500	63	21158-2170
2.953	3.937	0.625	EQ	24801-2166	3.000	3.751	0.500	66	21527-2120
2.953	3.937	0.625	EQ	24802-2166	3.000	3.751	0.500	66	21527-2170
2.953	3.937	0.750	IG	29502-4749	3.000	3.751	0.594	63F1	23078-7542
2.953	3.976	0.696	IGSPB	29516-7152	3.000	3.751	0.687	63R2	23548-6543
2.953	4.175	0.750	IG	29502-5589	3.000	3.813	1.007	IGSPB	29516-7070
2.953	4.213	0.492	23	25003-2105	3.000	3.818	1.375	EQSPB	24816-7023
2.953	4.213	0.492	26	24600-2105	3.000	3.825	1.062	EQSPB	24816-7010
2.953	4.213	0.500	23	25003-2331	3.000	3.875	0.500	23	25003-2173
2.953	4.331	0.472	92	27063-0819	3.000	3.875	0.500	61	24060-2173
2.953	4.331	0.750	IG	29502-5739	3.000	3.875	0.500	EQ	24801-2173
2.953	4.528	0.375	94	27223-5074	3.000	3.875	0.625	EQ	24801-2172
2.953	4.528	0.472	26R1	24620-2908	3.000	3.875	0.625	EQ	24802-2172
2.953	4.724	0.472	92	27063-0824	3.000	3.875	0.750	IG	29502-4328
2.955	3.500	0.625	IG	29507-5004	3.000	3.876	0.375	23	25003-2171
2.969	3.751	0.375	63	21158-2157	3.000	3.876	0.375	26	24600-2171
2.969	3.751	0.687	63T2	23550-4648	3.000	3.876	0.375	62	21702-2171
2.969	3.876	0.375	63	21158-2160	3.000	3.876	0.375	63	21158-2171
2.969	3.937	0.375	63	21158-7940	3.000	3.876	0.375	66	21527-2171
2.969	4.003	0.375	63	21158-2163	3.000	3.876	0.438	62	21702-2172
2.969	4.125	0.406	63	21158-2166	3.000	3.876	0.438	63	21158-2172
2.977	3.959	0.500	23	25003-4442	3.000	3.876	0.500	63	21158-2173
2.990	3.750	0.750	IG	29502-4457	3.000	3.876	0.500	66	21527-2173
2.990	4.000	0.750	IG	29500-4675	3.000	3.876	0.687	63T2	23550-7153
2.997	3.831	0.750	IG	29502-4658	3.000	3.880	0.594	26R1	24620-4946
2.998	3.515	0.690	EQ	24807-2165	3.000	3.881	0.625	EQ	24802-1216
2.998	3.998	0.625	EQ	24802-3221	3.000	3.937	0.375	23	25003-7941
3.000	3.406	0.203	91	27023-9574	3.000	3.937	0.375	63	21158-7941
3.000	3.500	0.250	71	26001-6308	3.000	3.937	0.500	62	21702-1937
3.000	3.500	0.250	92	27063-6308	3.000	3.937	0.625	EQ	24801-3642
3.000	3.500	0.625	IG	29507-5650	3.000	3.937	0.687	63T2	23550-9654
3.000	3.500	0.690	EQ	24807-2045	3.000	4.000	0.375	21	25001-5023
3.000	3.625	0.312	61	24060-1564	3.000	4.000	0.375	23	25003-5023
3.000	3.625	0.437	61	24060-1469	3.000	4.000	0.375	25	25058-5023
3.000	3.750	0.375	61	24060-2168	3.000	4.000	0.375	61	24060-5023
3.000	3.750	0.438	61	24060-2169	3.000	4.000	0.406	23	25003-2565
3.000	3.750	0.500	61	24060-2170	3.000	4.000	0.437	23	25003-9915
3.000	3.750	0.625	EQ	24801-1265	3.000	4.000	0.437	25	25058-9915
3.000	3.750	0.625	EQ	24802-1265	3.000	4.000	0.500	23	25003-4557
3.000	3.750	0.625	IG	29519-1265	3.000	4.000	0.500	25	25058-4557
3.000	3.750	0.750	IG	29500-4709	3.000	4.000	0.500	26	24600-4557
3.000	3.750	0.750	IG	29502-4709	3.000	4.000	0.500	61	24060-4557
3.000	3.751	0.375	23	25003-2168	3.000	4.000	0.500	61	24062-4557
3.000	3.751	0.375	25	25058-2168	3.000	4.000	0.500	61	24063-4557
3.000	3.751	0.375	26	24600-2168	3.000	4.000	0.500	62	21702-4557
3.000	3.751	0.375	62	21702-2168	3.000	4.000	0.500	113	21012-4557
3.000	3.751	0.375	63	21158-2168	3.000	4.000	0.625	EQ	24801-1220
3.000	3.751	0.375	66	21527-2168	3.000	4.000	0.625	EQ	24802-1220

All dimensions are in inches. Preferred sizes are indicated with **bold** type face.

Sizes listed are for standard nitrile elements, except Models 25 and 62 which have PTFE elements. Other material available on inquiry only.

SHAFT	BORE	WIDTH	MODEL NO.	PART NO.	SHAFT	BORE	WIDTH	MODEL NO.	PART NO.
3.000	4.000	0.625	IG	29519-1220	3.000	4.250	0.625	EQ	24801-9724
3.000	4.000	0.750	EQ	24801-2175	3.000	4.331	0.500	53	21086-6435
3.000	4.000	0.750	IG	29500-2175	3.000	4.375	0.375	23	25003-9649
3.000	4.000	0.750	IG	29502-2175	3.000	4.375	0.500	23	25003-2183
3.000	4.003	0.375	23	25003-2174	3.000	4.375	0.500	53	21086-2183
3.000	4.003	0.375	26	24600-2174	3.000	4.375	0.500	62	21702-2183
3.000	4.003	0.375	62	21702-2174	3.000	4.375	0.562	53	21086-2184
3.000	4.003	0.375	63	21158-2174	3.000	4.375	0.750	IG	29500-4507
3.000	4.003	0.375	66	21527-2174	3.000	4.500	0.500	23	25003-2186
3.000	4.003	0.375	67	21528-2174	3.000	4.500	0.500	26	24600-2186
3.000	4.003	0.375	68	21823-2174	3.000	4.500	0.500	53	21086-2186
3.000	4.003	0.437	62	21702-2175	3.000	4.500	0.500	62	21702-2186
3.000	4.003	0.438	63	21158-2175	3.000	4.500	0.562	53	21086-4546
3.000	4.003	0.500	23	25003-2176	3.000	4.500	0.625	25	25058-2188
3.000	4.003	0.500	25	25058-2176	3.000	4.500	0.625	53	21086-2188
3.000	4.003	0.500	62	21702-2176	3.000	4.500	0.625	EQ	24802-2091
3.000	4.003	0.500	63	21158-2176	3.000	4.500	0.719	53F1	22987-7402
3.000	4.003	0.594	63F1	23078-7328	3.000	4.500	0.750	IG	29502-5333
3.000	4.003	0.625	EQ	24802-3570	3.000	4.500	0.906	53T2	22897-6511
3.000	4.003	0.687	63R1	23547-7197	3.000	4.500	0.937	53T2	22897-5758
3.000	4.003	0.687	63R2	23548-7197	3.000	4.500	0.969	53T2	22897-7551
3.000	4.003	0.687	63T2	23550-7197	3.000	4.617	0.625	EQ	24802-2492
3.000	4.003	0.687	63TB	23549-7197	3.000	4.625	0.500	53	21086-2189
3.000	4.003	0.687	66R2	23702-7197	3.000	4.724	0.500	53	21086-7942
3.000	4.008	0.625	EQ	24802-2171	3.000	4.750	0.500	25	25058-2192
3.000	4.062	0.375	23	25003-9230	3.000	4.750	0.500	53	21086-2192
3.000	4.070	0.500	23	25003-4607	3.000	4.875	0.500	53	21086-2195
3.000	4.125	0.375	23	25003-6868	3.000	4.910	0.750	IG	29502-4352
3.000	4.125	0.437	26	24600-2187	3.000	4.922	0.500	53	21086-7879
3.000	4.125	0.438	26R1	24620-2187	3.000	4.922	0.625	53	21086-6649
3.000	4.125	0.500	23	25003-2177	3.000	4.999	0.500	53	21086-2198
3.000	4.125	0.500	53	21086-2177	3.000	4.999	0.500	62	21702-2198
3.000	4.125	0.500	26R1	24620-2177	3.000	5.000	0.500	26	24600-2198
3.000	4.125	0.500	62	21702-2177	3.000	5.000	0.750	IG	29502-5423
3.000	4.125	0.500	EQ	24801-2177	3.000	5.875	0.750	IG	29502-5215
3.000	4.125	0.563	53	21086-2178	3.000	5.875	0.750	IG	29507-5215
3.000	4.125	0.625	EQ	24802-2179	3.006	4.006	0.625	EQ	24802-2950
3.000	4.125	0.719	53F1	22987-5059	3.008	4.008	0.750	IG	29502-5403
3.000	4.125	0.750	IG	29500-4361	3.010	4.010	0.625	EQ	24802-3138
3.000	4.125	0.906	53R1	22537-7255	3.015	4.015	0.625	EQ	24802-3096
3.000	4.125	0.906	53R2	22627-7255	3.016	4.016	0.750	IG	29502-5455
3.000	4.249	0.500	53	21086-2180	3.062	3.810	1.062	EQSPB	24816-7005
3.000	4.249	0.500	62	21702-2180	3.062	4.000	0.500	23	25003-2108
3.000	4.249	0.625	53	21086-2182	3.062	4.003	0.375	62	21702-8876
3.000	4.250	0.375	24	25005-8245	3.062	4.003	0.375	76	26193-8876
3.000	4.250	0.500	23	25003-4804	3.062	4.062	0.375	94	27223-9622
3.000	4.250	0.500	25	25058-4804	3.062	4.062	0.625	EQ	24802-2201
3.000	4.250	0.500	26	24600-2180	3.062	4.125	0.437	23	25003-1895
3.000	4.250	0.500	61	24060-4804	3.062	4.125	0.500	53	21086-2201
3.000	4.250	0.625	23	25003-9724	3.062	4.125	0.500	62	21702-2201
3.000	4.250	0.625	53	21086-9724	3.062	4.125	0.562	53	21086-2202
3.000	4.250	0.625	58	21003-9724	3.062	4.249	0.500	53	21086-2204

All dimensions are in inches. Preferred sizes are indicated with **bold** type face. Sizes listed are for standard nitrile elements, except Models 25 and 62 which have PTFE elements. Other material available on inquiry only.

Oil Seals by Shaft Size

Garlock

SHAFT	BORE	WIDTH	MODEL NO.	PART NO.	SHAFT	BORE	WIDTH	MODEL NO.	PART NO.
3.062	4.331	0.500	53	21086-7944	3.125	4.249	0.500	23	25003-2228
3.062	4.500	0.500	53	21086-2210	3.125	4.249	0.562	53	21086-2229
3.062	4.625	0.500	53	21086-2213	3.125	4.249	0.625	53	21086-2230
3.062	4.724	0.500	53	21086-7945	3.125	4.249	0.719	53F1	22987-5162
3.062	4.875	0.500	53	21086-2219	3.125	4.249	0.500	53	21086-2228
3.062	4.875	0.625	53	21086-2221	3.125	4.250	0.375	23	25003-6862
3.062	4.999	0.500	53	21086-2222	3.125	4.250	0.500	23	25003-5025
3.063	3.813	1.007	IGSPB	29516-7084	3.125	4.250	0.500	26	24600-0914
3.063	4.063	0.500	23	25003-2200	3.125	4.250	0.625	23	25003-7682
3.063	4.063	0.750	IG	29502-4285	3.125	4.250	0.625	26	24600-7682
3.063	4.125	0.500	23	25003-2201	3.125	4.250	0.625	EQ	24801-7682
3.063	4.125	0.500	61	24060-2177	3.125	4.250	0.750	IG	29500-5066
3.070	3.937	0.437	23	25003-4769	3.125	4.250	0.750	IG	29502-5066
3.071	3.937	0.625	EQ	24802-3024	3.125	4.312	0.750	IG	29502-5723
3.071	4.071	0.500	23	25003-7144	3.125	4.331	0.500	53	21086-7947
3.071	4.331	0.750	IG	29502-5395	3.125	4.375	0.500	23	25003-2231
3.071	4.571	0.500	23	25003-4954	3.125	4.375	0.500	53	21086-2231
3.075	4.325	0.625	EQ	24802-2643	3.125	4.375	0.500	61	24060-2231
3.100	4.100	0.750	IG	29502-5657	3.125	4.375	0.500	62	21702-2231
3.110	4.331	0.750	IG	29502-5763	3.125	4.375	0.625	EQ	24802-2224
3.122	4.000	0.625	EQ	24802-2209	3.125	4.500	0.438	23	25003-2358
3.125	3.625	0.109	71	26001-6553	3.125	4.500	0.500	23	25003-2234
3.125	3.750	0.312	61	24060-1565	3.125	4.500	0.500	53	21086-2234
3.125	3.750	0.500	61	24060-1566	3.125	4.500	0.500	61	24060-2234
3.125	3.875	0.375	21	25001-7213	3.125	4.500	0.625	53	21086-2236
3.125	3.875	0.375	23	25003-7213	3.125	4.506	0.500	26R1	24620-2217
3.125	3.875	0.375	26	24600-7213	3.125	4.625	0.500	26	24600-2237
3.125	3.875	0.500	61	24060-1568	3.125	4.625	0.500	53	21086-2237
3.125	3.875	0.750	IG	29502-4775	3.125	4.625	0.500	62	21702-2237
3.125	3.938	0.750	IG	29502-4777	3.125	4.724	0.500	53	21086-7948
3.125	4.000	0.375	61	24060-1569	3.125	4.750	0.500	53	21086-2240
3.125	4.000	0.500	23	25003-5209	3.125	4.875	0.500	53	21086-2243
3.125	4.000	0.625	EQ	24801-2222	3.125	4.875	0.969	53F1	22987-7181
3.125	4.000	0.625	IG	29507-2222	3.125	4.875	0.969	53T2	22897-7181
3.125	4.003	0.750	IG	29502-5362	3.125	4.999	0.500	53	21086-2246
3.125	4.008	0.375	23	25003-3172	3.125	4.999	0.906	53R2	22627-6968
3.125	4.125	0.375	3	28003-3104	3.140	4.140	0.750	IG	29502-4888
3.125	4.125	0.437	23	25003-6102	3.142	4.142	0.750	IG	29502-5055
3.125	4.125	0.500	23	25003-2225	3.149	3.942	0.625	EQ	24802-1739
3.125	4.125	0.500	26	24600-2225	3.149	4.122	0.750	IG	29502-5313
3.125	4.125	0.500	53	21086-2225	3.149	4.500	0.625	EQ	24802-1813
3.125	4.125	0.500	58	21003-2225	3.149	4.724	0.750	IG	29500-5487
3.125	4.125	0.500	61	24060-2225	3.150	3.937	0.394	23	25003-1033
3.125	4.125	0.500	62	21702-2225	3.150	3.937	0.394	26R1	24620-1033
3.125	4.125	0.562	53	21086-2226	3.150	3.937	0.394	61	24060-1033
3.125	4.125	0.625	EQ	24802-2223	3.150	3.937	0.394	61	24064-1033
3.125	4.125	0.750	IG	29502-4114	3.150	3.937	0.500	62	21702-1938
3.125	4.125	0.906	53R2	22627-6739	3.150	3.937	0.512	26	24600-2238
3.125	4.125	0.906	53T2	22897-6739	3.150	3.937	0.625	EQ	24801-2240
3.125	4.130	0.625	EQ	24802-1207	3.150	3.937	0.625	EQ	24802-2240
3.125	4.188	0.500	23	25003-2685	3.150	3.937	0.690	EQ	24807-3674
3.125	4.249	0.438	26R1	24620-2216	3.150	3.937	0.750	IG	29502-4798

All dimensions are in inches. Preferred sizes are indicated with **bold** type face.

Sizes listed are for standard nitrile elements, except Models 25 and 62 which have PTFE elements. Other material available on inquiry only.

Garlock

Oil Seals by Shaft Size

SHAFT	BORE	WIDTH	MODEL NO.	PART NO.	SHAFT	BORE	WIDTH	MODEL NO.	PART NO.
3.150	4.134	0.394	61	24060-2411	3.187	4.625	0.625	53	21086-2260
3.150	4.134	0.472	92	27063-0825	3.187	4.724	0.500	53	21086-8121
3.150	4.134	0.512	26	24600-2215	3.187	4.750	0.500	53	21086-2261
3.150	4.134	0.512	26R1	24620-2215	3.187	4.750	0.500	62	21702-2261
3.150	4.134	0.625	EQ	24801-2272	3.187	4.750	0.500	66	21527-2261
3.150	4.135	0.750	IG	29502-4728	3.187	4.750	0.500	94	27223-2261
3.150	4.150	0.750	IG	29502-5141	3.187	4.875	0.500	53	21086-2264
3.150	4.249	0.438	23	25003-4768	3.187	4.875	0.500	66	21527-2264
3.150	4.250	0.750	IG	29502-4574	3.187	4.999	0.500	53	21086-2267
3.150	4.330	0.237	26	24600-2243	3.187	4.999	0.500	66	21527-2267
3.150	4.331	0.394	92	27063-0831	3.187	4.999	0.969	53T2	22897-8608
3.150	4.331	0.472	23	25003-7426	3.187	5.000	0.500	26	24600-2267
3.150	4.331	0.472	53	21086-7426	3.188	3.250	0.625	EQ	24802-2474
3.150	4.331	0.500	23	25003-1998	3.188	3.688	0.625	IG	29507-5136
3.150	4.331	0.625	EQ	24801-3593	3.188	4.188	0.750	IG	29502-4286
3.150	4.331	0.625	EQ	24802-3593	3.188	4.249	0.625	EQ	24801-5047
3.150	4.375	0.625	IG	29519-5641	3.188	4.249	0.625	EQ	24802-5047
3.150	4.500	0.750	IG	29502-5622	3.188	4.250	0.375	61	24060-1571
3.150	4.528	0.500	EQ	24801-2239	3.188	4.250	0.750	IG	29502-4550
3.150	4.724	0.750	IG	29500-5293	3.188	4.312	0.750	IG	29502-5044
3.150	5.118	0.625	EQ	24801-5269	3.188	4.335	1.000	IGSPB	29516-5131
3.156	4.250	0.750	IG	29502-4655	3.188	4.335	1.124	IGSPB	29516-7108
3.158	4.158	0.625	IG	29507-5218	3.188	4.335	1.298	EQSPB	24816-7119
3.158	4.158	0.750	IG	29502-5169	3.188	4.335	1.312	EQSPB	24816-7131
3.167	4.167	0.500	23	25003-9704	3.188	4.340	0.305	26	24600-2218
3.185	4.185	0.625	EQ	24802-3962	3.188	4.500	0.500	23	25003-2255
3.187	4.132	0.500	23	25003-5132	3.188	4.999	0.438	26R1	24620-2669
3.187	4.187	0.375	23	25003-7656	3.188	5.000	0.625	EQ	24802-3777
3.187	4.187	0.500	23	25003-4948	3.189	4.252	0.750	IG	29502-5213
3.187	4.249	0.500	23	25003-2249	3.201	4.201	0.625	EQ	24802-3017
3.187	4.249	0.500	53	21086-2249	3.206	4.250	0.500	23	25003-8586
3.187	4.249	0.500	66	21527-2249	3.218	4.468	0.500	23	25003-9830
3.187	4.249	0.562	53	21086-2250	3.225	3.975	0.375	26	24600-2111
3.187	4.249	0.625	53	21086-2251	3.228	4.102	0.375	23	25003-1986
3.187	4.249	0.906	53R1	22537-6461	3.228	4.448	0.625	EQ	24802-3109
3.187	4.249	0.906	53R2	22627-6461	3.228	4.488	0.500	23	25003-1590
3.187	4.249	0.969	53T2	22897-5941	3.238	4.180	0.500	23	25003-2385
3.187	4.312	0.625	EQ	24802-3005	3.250	3.812	0.109	71	26001-8810
3.187	4.331	0.500	53	21086-7950	3.250	3.875	0.312	61	24060-1572
3.187	4.375	0.500	23	25003-2252	3.250	3.875	0.312	61	24061-1572
3.187	4.375	0.500	53	21086-2252	3.250	3.875	0.375	61	24062-2318
3.187	4.375	0.500	66	21527-2252	3.250	3.940	0.250	76	26193-6591
3.187	4.375	0.562	53	21086-2253	3.250	4.000	0.250	26	24600-2262
3.187	4.375	0.625	53	21086-2254	3.250	4.000	0.375	67	21528-5551
3.187	4.437	0.375	23	25003-0521	3.250	4.000	0.437	61	24060-1574
3.187	4.447	0.500	23	25003-2632	3.250	4.000	0.438	26	24600-2265
3.187	4.499	0.468	EQ	24801-1759	3.250	4.000	0.500	61	24060-1577
3.187	4.500	0.500	26	24600-3415	3.250	4.000	0.625	EQ	24801-1028
3.187	4.500	0.500	53	21086-2255	3.250	4.000	0.625	EQ	24802-1028
3.187	4.500	0.500	58	21003-2255	3.250	4.000	0.690	EQ	24807-2855
3.187	4.500	0.500	66	21527-2255	3.250	4.000	0.750	IG	29502-4186
3.187	4.500	0.562	53	21086-2257	3.250	4.003	0.625	EQ	24802-1237

All dimensions are in inches. Preferred sizes are indicated with **bold** type face.

Sizes listed are for standard nitrile elements, except Models 25 and 62 which have PTFE elements. Other material available on inquiry only.

Oil Seals by Shaft Size

Garlock

SHAFT	BORE	WIDTH	MODEL NO.	PART NO.	SHAFT	BORE	WIDTH	MODEL NO.	PART NO.
3.250	4.030	0.750	IG	29502-5498	3.250	4.500	0.562	53	21086-2277
3.250	4.125	0.437	23	25003-6121	3.250	4.500	0.625	53	21086-2278
3.250	4.125	0.500	23	25003-5426	3.250	4.500	0.718	53F1	22987-7313
3.250	4.125	0.562	26	24600-2269	3.250	4.500	0.750	IG	29500-4425
3.250	4.225	0.375	23	25003-1586	3.250	4.500	0.750	IG	29502-4425
3.250	4.249	0.375	3	28003-3221	3.250	4.500	0.843	53R2	22627-8700
3.250	4.249	0.375	23	25003-8233	3.250	4.500	0.906	53R2	22627-6528
3.250	4.249	0.375	26	24600-8233	3.250	4.543	0.500	23	25003-1778
3.250	4.249	0.500	23	25003-2270	3.250	4.625	0.500	23	25003-2279
3.250	4.249	0.500	53	21086-2270	3.250	4.625	0.500	53	21086-2279
3.250	4.249	0.500	62	21702-2270	3.250	4.724	0.500	53	21086-7953
3.250	4.249	0.562	53	21086-2271	3.250	4.750	0.437	23	25003-5160
3.250	4.249	0.625	53	21086-2272	3.250	4.750	0.500	23	25003-2282
3.250	4.249	0.719	53F1	22987-6584	3.250	4.750	0.500	53	21086-2282
3.250	4.249	0.750	53F1	22987-7670	3.250	4.750	0.500	61	24060-2282
3.250	4.249	0.906	53R1	22537-6708	3.250	4.750	0.500	62	21702-2282
3.250	4.249	0.906	53R2	22627-6708	3.250	4.750	0.562	53	21086-2283
3.250	4.249	0.937	53F1	22987-5512	3.250	4.750	0.625	53	21086-2284
3.250	4.250	0.375	21	25001-6356	3.250	4.812	0.500	113	21012-4558
3.250	4.250	0.375	23	25003-6356	3.250	4.875	0.500	53	21086-2285
3.250	4.250	0.375	25	25058-6356	3.250	4.875	0.625	53	21086-2287
3.250	4.250	0.437	23	25003-6839	3.250	4.999	0.500	53	21086-2288
3.250	4.250	0.437	26	24600-6839	3.250	4.999	0.625	EQ	24801-4461
3.250	4.250	0.500	23	25003-7374	3.250	4.999	0.906	53R2	22627-8441
3.250	4.250	0.500	26	24600-7374	3.250	5.250	0.750	IG	29502-5816
3.250	4.250	0.500	61	24060-7374	3.280	4.280	0.375	23	25003-5682
3.250	4.250	0.500	61	24063-7374	3.307	4.331	0.551	26	24600-2562
3.250	4.250	0.625	23	25003-2272	3.307	4.331	0.625	EQ	24801-1988
3.250	4.250	0.625	EQ	24801-2280	3.307	4.331	0.625	EQ	24802-1988
3.250	4.250	0.625	EQ	24802-2280	3.312	4.125	0.438	23	25003-9539
3.250	4.250	0.750	IG	29500-4154	3.312	4.125	0.500	23	25003-4879
3.250	4.250	0.750	IG	29502-4154	3.312	4.125	0.690	EQ	24807-2846
3.250	4.250	0.969	53R2	22627-7419	3.312	4.213	0.750	IG	29502-4826
3.250	4.250	0.969	53T2	22897-7419	3.312	4.250	0.437	23	25003-6128
3.250	4.263	0.437	92	27063-6313	3.312	4.250	0.500	23	25003-1628
3.250	4.312	0.500	23	25003-1589	3.312	4.312	0.375	23	25003-7591
3.250	4.313	0.625	EQ	24802-3009	3.312	4.312	0.500	23	25003-7841
3.250	4.331	0.500	53	21086-7952	3.312	4.331	0.500	53	21086-6903
3.250	4.335	1.124	IGSPB	29516-7096	3.312	4.375	0.500	23	25003-2297
3.250	4.335	1.312	EQSPB	24816-7050	3.312	4.375	0.500	26	24600-2297
3.250	4.375	0.500	23	25003-2273	3.312	4.375	0.500	53	21086-2297
3.250	4.375	0.500	53	21086-2273	3.312	4.375	0.500	62	21702-2297
3.250	4.375	0.500	61	24060-2273	3.312	4.375	0.625	53	21086-2299
3.250	4.375	0.500	62	21702-2273	3.312	4.375	0.625	EQ	24802-3966
3.250	4.375	0.625	EQ	24802-2286	3.312	4.500	0.468	23	25003-2301
3.250	4.375	0.906	53TF	22994-7784	3.312	4.500	0.500	53	21086-2300
3.250	4.500	0.375	3	28003-3254	3.312	4.500	0.625	53	21086-2302
3.250	4.500	0.438	23	25003-5460	3.312	4.500	0.719	53F1	22987-0238
3.250	4.500	0.500	23	25003-2276	3.312	4.625	0.500	53	21086-2303
3.250	4.500	0.500	53	21086-2276	3.312	4.724	0.500	53	21086-6628
3.250	4.500	0.500	61	24060-2276	3.312	4.725	0.500	53	21086-7906
3.250	4.500	0.500	62	21702-2276	3.312	4.750	0.500	53	21086-2306

All dimensions are in inches. Preferred sizes are indicated with **bold** type face.

Sizes listed are for standard nitrile elements, except Models 25 and 62 which have PTFE elements. Other material available on inquiry only.

SHAFT	BORE	WIDTH	MODEL NO.	PART NO.	SHAFT	BORE	WIDTH	MODEL NO.	PART NO.
3.312	4.875	0.500	53	21086-2309	3.346	5.118	0.625	EQ	24802-5110
3.312	4.999	0.500	53	21086-2312	3.347	4.500	0.625	EQ	24801-1911
3.312	5.000	0.468	26	24600-2305	3.360	5.000	0.625	EQ	24802-2527
3.312	5.118	0.500	53	21086-7957	3.375	4.000	0.312	61	24060-1580
3.312	5.125	0.500	53	21086-2315	3.375	4.125	0.690	EQ	24807-3767
3.312	5.250	0.500	53	21086-0989	3.375	4.125	0.750	IG	29502-4385
3.313	4.125	0.625	EQ	24802-2296	3.375	4.250	0.375	26	24600-0839
3.313	4.125	0.750	IG	29500-4113	3.375	4.250	0.500	23	25003-7642
3.313	4.125	0.750	IG	29502-4113	3.375	4.250	0.625	EQ	24802-2316
3.313	4.130	0.625	EQ	24802-1209	3.375	4.335	0.770	IGSPB	29516-5124
3.313	4.313	0.750	IG	29502-4287	3.375	4.335	0.990	IGSPB	29516-5272
3.313	4.375	0.500	61	24060-2297	3.375	4.355	0.375	26	24600-1375
3.313	4.375	0.750	IG	29502-4477	3.375	4.375	0.375	23	25003-9056
3.313	4.500	0.500	23	25003-2300	3.375	4.375	0.438	23	25003-4688
3.313	4.500	0.625	EQ	24802-2304	3.375	4.375	0.500	23	25003-2321
3.320	4.132	0.450	61	24060-2562	3.375	4.375	0.500	26	24600-2321
3.335	4.335	0.625	EQ	24802-3139	3.375	4.375	0.500	53	21086-2321
3.335	4.335	0.750	IG	29500-5087	3.375	4.375	0.500	61	24060-2321
3.343	4.343	0.375	23	25003-8693	3.375	4.375	0.500	62	21702-2321
3.343	4.343	0.500	23	25003-6752	3.375	4.375	0.500	EQ	24801-2321
3.345	4.304	0.625	EQ	24802-3299	3.375	4.375	0.625	53	21086-2323
3.345	4.320	0.750	IG	29502-4722	3.375	4.375	0.625	EQ	24801-2322
3.346	3.937	0.690	EQ	24807-5104	3.375	4.375	0.625	EQ	24802-2322
3.346	4.134	0.500	26	24600-2310	3.375	4.375	0.687	53F1	22987-9209
3.346	4.134	0.625	EQ	24802-2523	3.375	4.375	0.750	IG	29502-0774
3.346	4.134	0.750	IG	29502-5701	3.375	4.375	0.906	53T2	22897-7357
3.346	4.321	0.625	EQ	24802-3045	3.375	4.437	0.375	23	25003-4797
3.346	4.330	0.625	EQ	24802-3161	3.375	4.500	0.375	23	25003-9614
3.346	4.331	0.394	61	24060-1854	3.375	4.500	0.500	23	25003-2324
3.346	4.331	0.394	61	24064-1854	3.375	4.500	0.500	25	25058-2324
3.346	4.331	0.472	23	25003-2214	3.375	4.500	0.500	26	24600-2324
3.346	4.331	0.472	26	24600-2214	3.375	4.500	0.500	53	21086-2324
3.346	4.331	0.492	23	25003-2137	3.375	4.500	0.500	61	24060-2324
3.346	4.331	0.500	23	25003-5650	3.375	4.500	0.500	62	21702-2324
3.346	4.331	0.512	26	24600-5343	3.375	4.500	0.562	53	21086-2325
3.346	4.331	0.625	EQ	24801-3161	3.375	4.500	0.625	53	21086-2326
3.346	4.331	0.750	IG	29500-4193	3.375	4.500	0.625	EQ	24801-2326
3.346	4.331	0.750	IG	29502-4193	3.375	4.500	0.625	EQ	24802-2326
3.346	4.335	0.750	IG	29502-5398	3.375	4.500	0.719	53F1	22987-7289
3.346	4.370	0.694	IGSPB	29516-7142	3.375	4.500	0.750	IG	29500-4379
3.346	4.375	0.625	EQ	24802-1814	3.375	4.500	0.750	IG	29502-4379
3.346	4.437	0.500	23	25003-5777	3.375	4.625	0.375	23	25003-9954
3.346	4.528	0.512	92	27063-0833	3.375	4.625	0.500	23	25003-2327
3.346	4.528	0.551	EQ	24801-3584	3.375	4.625	0.500	53	21086-2327
3.346	4.528	0.630	EQ	24801-2311	3.375	4.625	0.500	62	21702-2327
3.346	4.724	0.472	23	25003-7394	3.375	4.625	0.625	53	21086-2329
3.346	4.724	0.472	53	21086-7394	3.375	4.625	0.750	IG	29502-5058
3.346	4.724	0.472	26R1	24620-7394	3.375	4.626	0.563	26	24600-2318
3.346	4.724	0.625	EQ	24801-5521	3.375	4.724	0.500	53	21086-7868
3.346	4.921	0.472	53	21086-7399	3.375	4.750	0.500	23	25003-2330
3.346	4.921	0.750	IG	29500-4816	3.375	4.750	0.500	53	21086-2330
3.346	5.118	0.500	94	27223-6314	3.375	4.750	0.750	53F1	22987-5332

All dimensions are in inches. Preferred sizes are indicated with **bold** type face.

Sizes listed are for standard nitrile elements, except Models 25 and 62 which have PTFE elements. Other material available on inquiry only.

Oil Seals by Shaft Size

Garlock

SHAFT	BORE	WIDTH	MODEL NO.	PART NO.	SHAFT	BORE	WIDTH	MODEL NO.	PART NO.
3.375	4.875	0.500	23	25003-2333	3.437	4.921	0.625	53	21086-5535
3.375	4.875	0.500	53	21086-2333	3.437	4.937	0.500	23	25003-9944
3.375	4.999	0.500	53	21086-2336	3.437	4.999	0.500	53	21086-2357
3.375	4.999	0.500	61	24063-2336	3.437	5.000	0.500	23	25003-4710
3.375	4.999	0.500	62	21702-2336	3.437	5.000	0.500	25	25058-4710
3.375	5.000	0.468	61	24060-2368	3.437	5.118	0.500	53	21086-7962
3.375	5.000	0.469	26	24600-2319	3.437	5.125	0.500	53	21086-2360
3.375	5.118	0.500	53	21086-7959	3.437	5.125	0.625	53	21086-2362
3.375	5.125	0.500	53	21086-2339	3.437	5.125	0.625	EQ	24802-3753
3.375	5.250	0.500	53	21086-2342	3.437	5.250	0.500	53	21086-2363
3.375	5.250	0.750	IG	29502-4354	3.437	5.250	0.625	53	21086-2365
3.375	5.290	0.625	EQ	24802-3646	3.437	5.807	0.828	IGSPB	29516-7116
3.375	6.500	0.625	54	21140-9733	3.438	4.125	0.437	61	24060-1583
3.380	4.000	0.690	EQ	24807-2973	3.438	4.313	0.625	EQ	24802-3344
3.385	4.385	0.625	EQ	24802-3101	3.438	4.333	1.102	IGSPB	29516-7086
3.386	5.118	0.750	IG	29500-4748	3.438	4.338	1.375	EQSPB	24816-7033
3.386	5.315	0.750	IG	29500-4750	3.438	4.438	0.625	EQ	24801-2577
3.400	4.400	0.750	IG	29502-4325	3.438	4.438	0.625	EQ	24802-2577
3.402	4.375	0.625	EQ	24802-3334	3.438	4.438	0.750	IG	29502-4288
3.408	4.500	0.625	EQ	24802-2332	3.438	4.458	1.312	EQSPB	24816-7025
3.420	4.375	0.750	IG	29502-5133	3.438	4.460	0.500	23	25003-2965
3.420	4.420	0.750	IG	29502-5755	3.438	4.460	1.124	IGSPB	29516-7112
3.420	4.500	0.750	IG	29502-4603	3.438	4.500	0.500	23	25003-2345
3.425	4.685	0.492	26	24600-4224	3.438	4.500	0.500	61	24060-2345
3.430	4.625	0.458	23	25003-1087	3.438	4.500	0.750	IG	29502-4650
3.432	4.624	0.484	113	21012-8800	3.438	4.523	1.124	IGSPB	29516-7113
3.435	5.000	0.500	26	24600-4710	3.438	4.562	0.375	23	25003-0823
3.437	4.437	0.375	23	25003-7075	3.438	4.600	0.500	23	25003-1906
3.437	4.437	0.437	23	25003-7438	3.438	4.625	0.500	26	24600-2348
3.437	4.437	0.500	23	25003-6355	3.438	4.625	0.500	EQ	24801-2348
3.437	4.500	0.375	23	25003-0996	3.438	4.625	0.625	EQ	24801-2335
3.437	4.500	0.437	23	25003-1440	3.438	4.626	0.625	EQ	24802-2335
3.437	4.500	0.437	61	24060-1440	3.438	4.875	0.625	26	24600-2356
3.437	4.500	0.500	26	24600-2345	3.438	5.000	0.750	IG	29502-5592
3.437	4.500	0.500	53	21086-2345	3.450	4.500	0.625	EQ	24802-2944
3.437	4.500	0.500	62	21702-2345	3.464	4.331	0.500	23	25003-1772
3.437	4.500	0.719	53F1	22987-5319	3.464	4.500	0.750	IG	29502-5090
3.437	4.500	0.906	53R1	22537-5183	3.465	4.331	0.472	92	27063-0834
3.437	4.500	0.906	53R2	22627-5183	3.465	4.331	0.591	26R1	24620-0846
3.437	4.523	1.312	EQSPB	24816-7147	3.465	4.729	0.500	23	25003-1768
3.437	4.625	0.500	23	25003-2348	3.469	4.500	0.500	23	25003-9015
3.437	4.625	0.500	53	21086-2348	3.469	4.500	0.500	62	21702-9015
3.437	4.625	0.500	61	24060-2348	3.469	4.500	0.625	23	25003-7468
3.437	4.625	0.500	62	21702-2348	3.475	4.500	0.375	23	25003-4686
3.437	4.687	0.500	23	25003-6357	3.500	3.876	0.187	71	26001-7095
3.437	4.724	0.500	53	21086-7960	3.500	4.003	0.250	71	26001-7096
3.437	4.750	0.500	53	21086-2351	3.500	4.062	0.109	71	26001-9668
3.437	4.750	0.625	53	21086-2353	3.500	4.125	0.312	61	24060-1591
3.437	4.875	0.437	23	25003-2943	3.500	4.125	0.500	61	24060-1595
3.437	4.875	0.500	53	21086-2354	3.500	4.125	0.625	IG	29507-4893
3.437	4.875	0.625	53	21086-2356	3.500	4.250	0.500	61	24060-1599
3.437	4.875	0.719	53F1	22987-6159	3.500	4.375	0.375	23	25003-2364

All dimensions are in inches. Preferred sizes are indicated with **bold** type face.

Sizes listed are for standard nitrile elements, except Models 25 and 62 which have PTFE elements. Other material available on inquiry only.

SHAFT	BORE	WIDTH	MODEL NO.	PART NO.	SHAFT	BORE	WIDTH	MODEL NO.	PART NO.
3.500	4.375	0.375	26	24600-2364	3.500	4.721	0.750	IG	29502-5933
3.500	4.375	0.500	23	25003-6285	3.500	4.724	0.500	53	21086-7963
3.500	4.375	0.500	25	25058-6285	3.500	4.750	0.375	23	25003-7578
3.500	4.375	0.500	61	24060-6285	3.500	4.750	0.375	24	25005-7578
3.500	4.375	0.625	EQ	24801-2378	3.500	4.750	0.500	23	25003-2372
3.500	4.375	0.625	EQ	24802-2378	3.500	4.750	0.500	25	25058-2372
3.500	4.375	0.750	IG	29500-4214	3.500	4.750	0.500	53	21086-2372
3.500	4.375	0.750	IG	29502-4214	3.500	4.750	0.500	61	24060-2372
3.500	4.376	0.375	3	28003-3460	3.500	4.750	0.500	62	21702-2372
3.500	4.381	0.750	IG	29500-5700	3.500	4.750	0.500	66	21527-2372
3.500	4.390	0.336	21	25001-6559	3.500	4.750	0.562	53	21086-2373
3.500	4.437	0.312	26	24600-3981	3.500	4.750	0.625	53	21086-2374
3.500	4.437	0.500	23	25003-1296	3.500	4.750	0.625	EQ	24801-2374
3.500	4.458	1.312	EQSPB	24816-7036	3.500	4.750	0.625	EQ	24802-2374
3.500	4.475	0.500	23	25003-1444	3.500	4.750	0.843	53R1	22537-7269
3.500	4.500	0.375	3	28003-3478	3.500	4.750	0.906	53R1	22537-5008
3.500	4.500	0.375	23	25003-6358	3.500	4.750	0.906	53TF	22994-5008
3.500	4.500	0.437	26	24600-2377	3.500	4.750	0.969	53TB	22807-7230
3.500	4.500	0.468	23	25003-4640	3.500	4.812	0.500	23	25003-1034
3.500	4.500	0.469	66	21527-4640	3.500	4.875	0.500	53	21086-2375
3.500	4.500	0.500	23	25003-2366	3.500	4.875	0.500	66	21527-2375
3.500	4.500	0.500	25	25058-2366	3.500	4.875	0.625	EQ	24082-5461
3.500	4.500	0.500	26	24600-2366	3.500	4.875	0.625	EQ	24802-5461
3.500	4.500	0.500	53	21086-2366	3.500	4.875	0.969	53R1	22537-7611
3.500	4.500	0.500	61	24060-2366	3.500	4.875	0.969	53T2	22897-7611
3.500	4.500	0.500	61	24062-2366	3.500	4.921	0.562	53	21086-8877
3.500	4.500	0.500	61	24064-2366	3.500	4.999	0.375	23	25003-4745
3.500	4.500	0.500	62	21702-2366	3.500	4.999	0.500	53	21086-2378
3.500	4.500	0.500	66	21527-2366	3.500	4.999	0.500	66	21527-2378
3.500	4.500	0.500	EQ	24801-2366	3.500	4.999	0.625	53	21086-2380
3.500	4.500	0.562	53	21086-2367	3.500	4.999	0.719	53F1	22987-7332
3.500	4.500	0.562	62	21702-2367	3.500	4.999	0.906	53R2	22627-7324
3.500	4.500	0.625	26	24600-2368	3.500	5.000	0.500	23	25003-7253
3.500	4.500	0.625	53	21086-2368	3.500	5.000	0.500	53	21086-7253
3.500	4.500	0.625	EQ	24801-2368	3.500	5.118	0.500	53	21086-7965
3.500	4.500	0.625	EQ	24802-2368	3.500	5.125	0.500	53	21086-2381
3.500	4.500	0.719	53F1	22987-7115	3.500	5.125	0.500	66	21527-2381
3.500	4.500	0.750	IG	29500-4156	3.500	5.250	0.500	53	21086-2384
3.500	4.500	0.750	IG	29502-4156	3.500	5.250	0.500	58	21003-2384
3.500	4.500	0.812	53R1	22537-5300	3.500	5.250	0.500	66	21527-2384
3.500	4.500	0.906	53R1	22537-6534	3.500	5.250	0.625	53	21086-2386
3.500	4.500	0.906	53R2	22627-6534	3.500	5.250	0.750	IG	29502-5381
3.500	4.500	0.906	53T2	22897-6534	3.500	5.375	0.500	53	21086-2387
3.500	4.523	1.124	IGSPB	29516-7097	3.500	5.375	0.500	66	21527-2387
3.500	4.625	0.375	23	25003-5122	3.500	5.500	0.500	53	21086-2390
3.500	4.625	0.500	53	21086-2369	3.500	5.500	0.500	66	21527-2390
3.500	4.625	0.500	62	21702-2369	3.500	5.500	0.625	53	21086-2392
3.500	4.625	0.500	66	21527-2369	3.500	5.807	0.828	IGSPB	29516-7114
3.500	4.625	0.562	53	21086-2370	3.500	6.375	0.375	26	24600-1665
3.500	4.625	0.625	53	21086-2371	3.526	4.526	0.625	EQ	24802-2261
3.500	4.625	0.625	EQ	24802-1882	3.535	4.500	0.750	IG	29502-4491
3.500	4.721	0.375	26R1	24620-2862	3.535	4.535	0.750	IG	29502-5749

All dimensions are in inches. Preferred sizes are indicated with **bold** type face. Sizes listed are for standard nitrile elements, except Models 25 and 62 which have PTFE elements. Other material available on inquiry only.

Oil Seals by Shaft Size

Garlock

SHAFT	BORE	WIDTH	MODEL NO.	PART NO.	SHAFT	BORE	WIDTH	MODEL NO.	PART NO.
3.537	4.500	0.500	26	24600-1968	3.562	4.875	0.500	53	21086-2399
3.540	4.540	0.750	IG	29502-5748	3.562	4.999	0.500	53	21086-2402
3.542	4.542	0.375	23	25003-5100	3.562	4.999	0.500	62	21702-2402
3.543	4.330	0.472	26R1	24620-2437	3.562	5.118	0.500	53	21086-7967
3.543	4.330	0.511	26	24600-5002	3.562	5.125	0.500	53	21086-2405
3.543	4.331	0.394	61	24060-1856	3.562	5.250	0.500	53	21086-2408
3.543	4.331	0.394	61	24063-1856	3.562	5.250	0.500	62	21702-2408
3.543	4.331	0.394	61	24064-1856	3.562	5.250	0.906	53R1	22537-7905
3.543	4.331	0.625	EQ	24802-3265	3.562	5.500	0.500	53	21086-2414
3.543	4.500	0.625	EQ	24802-1815	3.562	7.250	0.562	54	21140-6008
3.543	4.527	0.491	23	25003-8803	3.563	4.500	0.437	61	24060-1601
3.543	4.527	0.500	23	25003-4846	3.563	4.500	0.469	23	25003-1029
3.543	4.527	0.512	26R1	24620-5344	3.563	4.500	0.500	61	24060-1604
3.543	4.528	0.472	23	25003-9963	3.563	4.500	0.750	IG	29502-5165
3.543	4.528	0.472	61	24060-9963	3.563	4.563	0.500	23	25003-5051
3.543	4.528	0.512	26	24600-5344	3.563	4.563	0.750	IG	29502-4289
3.543	4.543	0.625	IG	29507-2405	3.580	4.916	0.750	IG	29502-5314
3.543	4.543	0.750	IG	29500-5479	3.600	4.600	0.750	IG	29502-5658
3.543	4.724	0.472	23	25003-7839	3.605	4.625	0.750	IG	29502-5210
3.543	4.724	0.472	53	21086-7839	3.625	4.250	0.312	61	24060-1605
3.543	4.724	0.472	61	24060-7839	3.625	4.333	1.102	IGSPB	29516-7071
3.543	4.724	0.472	92	27063-7839	3.625	4.375	0.625	EQ	24802-1080
3.543	4.724	0.500	23	25003-8429	3.625	4.499	0.468	EQ	24801-1751
3.543	4.724	0.500	53	21086-8429	3.625	4.500	0.500	23	25003-5313
3.543	4.724	0.511	26	24600-2457	3.625	4.609	0.492	23	25003-1515
3.543	4.724	0.625	EQ	24801-2902	3.625	4.625	0.375	23	25003-6359
3.543	4.724	0.625	EQ	24802-2902	3.625	4.625	0.437	23	25003-1022
3.543	4.724	0.750	IG	29500-4758	3.625	4.625	0.500	23	25003-2417
3.543	4.724	0.750	IG	29502-4758	3.625	4.625	0.500	26	24600-2417
3.543	4.960	0.750	IG	29500-4844	3.625	4.625	0.500	53	21086-2417
3.544	4.565	0.625	EQ	24802-5382	3.625	4.625	0.500	58	21003-2417
3.550	4.550	0.750	IG	29502-4715	3.625	4.625	0.500	61	24060-2417
3.562	4.438	0.438	23	25003-2406	3.625	4.625	0.500	62	21702-2417
3.562	4.500	0.625	EQ	24802-3240	3.625	4.625	0.562	53	21086-2418
3.562	4.562	0.375	23	25003-1988	3.625	4.625	0.625	53	21086-2419
3.562	4.625	0.375	23	25003-6923	3.625	4.625	0.625	EQ	24801-2419
3.562	4.625	0.500	23	25003-2393	3.625	4.625	0.625	EQ	24802-2419
3.562	4.625	0.500	53	21086-2393	3.625	4.625	0.719	53F1	22987-6590
3.562	4.625	0.500	62	21702-2393	3.625	4.625	0.719	53F1	22987-6950
3.562	4.625	0.625	EQ	24802-5449	3.625	4.625	0.750	IG	29502-4157
3.562	4.625	0.625	EQ	24802-5449	3.625	4.625	0.906	53R2	22627-6901
3.562	4.625	0.906	53R1	22537-6545	3.625	4.626	0.375	3	28003-3568
3.562	4.625	0.906	53R2	22627-6545	3.625	4.724	0.500	53	21086-7968
3.562	4.724	0.500	53	21086-8126	3.625	4.750	0.375	23	25003-0692
3.562	4.750	0.500	23	25003-2396	3.625	4.750	0.500	23	25003-2420
3.562	4.750	0.500	53	21086-2396	3.625	4.750	0.500	53	21086-2420
3.562	4.750	0.500	62	21702-2396	3.625	4.750	0.500	61	24060-2420
3.562	4.750	0.562	53	21086-2397	3.625	4.750	0.562	53	21086-2421
3.562	4.750	0.625	53	21086-2398	3.625	4.750	0.562	62	21702-2421
3.562	4.751	0.625	EQ	24802-1174	3.625	4.750	0.625	26	24600-2412
3.562	4.812	0.500	23	25003-5933	3.625	4.750	0.906	53R1	22537-8396
3.562	4.812	0.500	24	25005-5933	3.625	4.750	0.906	53R2	22627-8396

All dimensions are in inches. Preferred sizes are indicated with **bold** type face.

Sizes listed are for standard nitrile elements, except Models 25 and 62 which have PTFE elements. Other material available on inquiry only.

Garlock

Oil Seals by Shaft Size

SHAFT	BORE	WIDTH	MODEL NO.	PART NO.	SHAFT	BORE	WIDTH	MODEL NO.	PART NO.
3.625	4.751	0.500	26R1	24620-2420	3.688	5.000	0.500	23	25003-5097
3.625	4.875	0.375	23	25003-4864	3.712	4.712	0.500	23	25003-9547
3.625	4.875	0.500	23	25003-2423	3.719	5.094	0.500	23	25003-4742
3.625	4.875	0.500	53	21086-2423	3.720	4.720	0.500	23	25003-1041
3.625	4.875	0.562	53	21086-2424	3.725	4.725	0.750	IG	29502-5730
3.625	4.875	0.625	53	21086-2425	3.731	4.731	0.750	IG	29502-5057
3.625	4.875	0.844	53R1	22537-9401	3.735	4.735	0.625	EQ	24802-3072
3.625	4.999	0.500	23	25003-2426	3.740	4.528	0.472	92	27063-0850
3.625	4.999	0.500	53	21086-2426	3.740	4.724	0.394	61	24060-1859
3.625	4.999	0.625	53	21086-2428	3.740	4.724	0.472	23	25003-9190
3.625	5.000	0.500	23	25003-2415	3.740	4.724	0.472	92	27063-9190
3.625	5.000	0.562	53	21086-5582	3.740	4.724	0.511	26R1	24620-6061
3.625	5.000	0.719	53F1	22987-5646	3.740	4.724	0.625	EQ	24801-3021
3.625	5.118	0.500	53	21086-7970	3.740	4.724	0.625	EQ	24802-3021
3.625	5.125	0.500	23	25003-2429	3.740	4.725	0.472	26R1	24620-9190
3.625	5.125	0.500	53	21086-2429	3.740	4.740	0.375	23	25003-1110
3.625	5.250	0.500	26	24600-2432	3.740	4.740	0.500	23	25003-6896
3.625	5.250	0.500	53	21086-2432	3.740	4.740	0.750	IG	29500-4506
3.625	5.250	0.500	26R1	24620-2432	3.740	4.750	0.625	EQ	24802-1816
3.625	5.375	0.500	53	21086-2435	3.740	4.921	0.472	23	25003-1010
3.625	5.500	0.500	53	21086-2438	3.740	4.921	0.472	92	27063-1010
3.625	5.500	0.969	53T2	22897-6505	3.740	4.921	0.750	IG	29500-4979
3.634	4.625	0.750	IG	29502-5296	3.740	4.990	0.375	24	25005-5741
3.681	4.681	0.500	23	25003-1901	3.740	4.990	0.500	23	25003-7464
3.681	5.000	0.500	23	25003-2095	3.740	5.118	0.472	92	27063-0851
3.685	4.685	0.750	IG	29502-5751	3.740	5.118	0.625	EQ	24802-2972
3.687	4.560	0.750	IG	29502-5258	3.740	5.512	0.750	IG	29500-4751
3.687	4.687	0.375	23	25003-8639	3.741	5.240	0.500	23	25003-6250
3.687	4.687	0.500	23	25003-9104	3.741	5.240	0.500	24	25005-6250
3.687	4.687	0.500	25	25058-9104	3.750	4.312	0.109	71	26001-9981
3.687	4.750	0.375	23	25003-5749	3.750	4.375	0.312	61	24060-7097
3.687	4.750	0.500	23	25003-2441	3.750	4.375	0.312	71	26001-7097
3.687	4.750	0.500	26	24600-2441	3.750	4.375	0.500	61	24060-1606
3.687	4.750	0.500	53	21086-2441	3.750	4.375	0.690	EQ	24807-4523
3.687	4.750	0.562	53	21086-2442	3.750	4.500	0.375	61	24063-2235
3.687	4.875	0.500	23	25003-2444	3.750	4.500	0.625	EQ	24802-2210
3.687	4.875	0.500	53	21086-2444	3.750	4.625	0.375	23	25003-9174
3.687	4.937	0.500	23	25003-8159	3.750	4.732	0.405	23	25003-1713
3.687	4.999	0.500	23	25003-2447	3.750	4.750	0.250	76	26193-7192
3.687	4.999	0.500	53	21086-2447	3.750	4.750	0.375	23	25003-7389
3.687	5.118	0.500	53	21086-7972	3.750	4.750	0.375	25	25058-7389
3.687	5.125	0.500	23	25003-2450	3.750	4.750	0.438	23	25003-4455
3.687	5.125	0.500	53	21086-2450	3.750	4.750	0.500	23	25003-2462
3.687	5.250	0.500	53	21086-2453	3.750	4.750	0.500	25	25058-2462
3.687	5.250	0.781	53F1	22987-8531	3.750	4.750	0.500	26	24600-2462
3.687	5.375	0.500	53	21086-2456	3.750	4.750	0.500	53	21086-2462
3.687	5.500	0.500	53	21086-2459	3.750	4.750	0.500	58	21003-2462
3.688	4.688	0.625	EQ	24802-2744	3.750	4.750	0.500	61	24060-2462
3.688	4.688	0.750	IG	29502-4290	3.750	4.750	0.500	61	24063-2462
3.688	4.750	0.438	26	24600-3037	3.750	4.750	0.500	62	21702-2462
3.688	4.750	0.750	IG	29500-4562	3.750	4.750	0.500	66	21527-2462
3.688	4.999	0.500	26	24600-2447	3.750	4.750	0.500	EQ	24801-2462

All dimensions are in inches. Preferred sizes are indicated with **bold** type face.

Sizes listed are for standard nitrile elements, except Models 25 and 62 which have PTFE elements. Other material available on inquiry only.

Oil Seals by Shaft Size

Garlock

SHAFT	BORE	WIDTH	MODEL NO.	PART NO.	SHAFT	BORE	WIDTH	MODEL NO.	PART NO.
3.750	4.750	0.562	53	21086-2463	3.812	4.875	0.500	23	25003-2483
3.750	4.750	0.625	53	21086-2464	3.812	4.875	0.500	53	21086-2483
3.750	4.750	0.625	113	21012-2464	3.812	4.875	0.750	IG	29502-5476
3.750	4.750	0.625	EQ	24802-2464	3.812	4.999	0.500	23	25003-2486
3.750	4.750	0.690	EQ	24807-3781	3.812	4.999	0.500	53	21086-2486
3.750	4.750	0.750	IG	29500-4158	3.812	5.118	0.500	53	21086-7976
3.750	4.750	0.750	IG	29502-4158	3.812	5.125	0.500	53	21086-2489
3.750	4.750	0.906	53R2	22627-7440	3.812	5.250	0.500	53	21086-2492
3.750	4.812	0.500	23	25003-6960	3.812	5.312	0.500	23	25003-9817
3.750	4.875	0.375	23	25003-6619	3.812	5.375	0.500	23	25003-2495
3.750	4.875	0.500	23	25003-2465	3.812	5.375	0.500	53	21086-2495
3.750	4.875	0.500	53	21086-2465	3.812	5.500	0.500	26	24600-2498
3.750	4.875	0.500	66	21527-2465	3.812	5.500	0.500	53	21086-2498
3.750	4.875	0.562	53	21086-2466	3.813	4.773	1.062	IGSPB	29516-7087
3.750	4.885	0.500	62	21702-8168	3.815	4.815	0.625	EQ	24802-3185
3.750	4.999	0.500	23	25003-2468	3.820	5.042	0.375	23	25003-3096
3.750	4.999	0.500	53	21086-2468	3.825	4.875	0.750	IG	29502-4602
3.750	4.999	0.500	26R1	24620-4654	3.847	5.063	0.375	23	25003-0422
3.750	4.999	0.500	66	21527-2468	3.850	4.875	0.750	IG	29502-4622
3.750	4.999	0.562	53	21086-2469	3.875	4.500	0.312	61	24060-1607
3.750	4.999	0.625	53	21086-2470	3.875	4.500	0.500	61	24060-1611
3.750	4.999	0.906	53R2	22627-6806	3.875	4.625	0.500	61	24060-1613
3.750	5.000	0.375	23	25003-9089	3.875	4.750	0.375	23	25003-7746
3.750	5.000	0.437	23	25003-0802	3.875	4.750	0.375	26	24600-5637
3.750	5.000	0.438	26	24600-2477	3.875	4.750	0.500	61	24060-1614
3.750	5.000	0.500	23	25003-5079	3.875	4.843	0.484	23	25003-5959
3.750	5.000	0.500	26	24600-2478	3.875	4.875	0.437	23	25003-8592
3.750	5.000	0.500	61	24060-5079	3.875	4.875	0.437	26	24600-8592
3.750	5.000	0.625	EQ	24802-2483	3.875	4.875	0.500	23	25003-2501
3.750	5.000	0.750	IG	29502-5364	3.875	4.875	0.500	53	21086-2501
3.750	5.062	0.375	23	25003-2016	3.875	4.875	0.500	62	21702-2501
3.750	5.118	0.500	53	21086-7974	3.875	4.875	0.625	EQ	24802-2503
3.750	5.125	0.500	23	25003-2471	3.875	4.875	0.719	53F1	22987-5201
3.750	5.125	0.500	53	21086-2471	3.875	4.875	0.750	IG	29502-4159
3.750	5.125	0.500	66	21527-2471	3.875	4.875	0.906	53R2	22627-5645
3.750	5.250	0.438	23	25003-3256	3.875	4.876	0.375	3	28003-3721
3.750	5.250	0.500	23	25003-2474	3.875	4.999	0.500	53	21086-2504
3.750	5.250	0.500	53	21086-2474	3.875	4.999	0.500	62	21702-2504
3.750	5.250	0.500	62	21702-2474	3.875	4.999	0.625	53	21086-2506
3.750	5.250	0.500	66	21527-2474	3.875	5.000	0.375	23	25003-9298
3.750	5.250	0.625	53	21086-2476	3.875	5.000	0.468	26	24600-2514
3.750	5.250	0.625	EQ	24802-1095	3.875	5.000	0.500	23	25003-4772
3.750	5.375	0.500	66	21527-7249	3.875	5.000	0.625	EQ	24801-2506
3.750	5.500	0.500	53	21086-2480	3.875	5.000	0.625	EQ	24802-2506
3.750	5.500	0.500	66	21527-2480	3.875	5.062	0.375	23	25003-4426
3.750	5.500	0.750	IG	29502-5757	3.875	5.085	1.375	EQSPB	24816-7056
3.777	4.732	0.625	EQ	24802-4696	3.875	5.118	0.500	53	21086-7978
3.786	4.786	0.625	EQ	24802-3039	3.875	5.125	0.500	23	25003-2507
3.790	4.790	0.750	IG	29502-5721	3.875	5.125	0.500	53	21086-2507
3.812	4.773	1.375	EQSPB	24816-7044	3.875	5.250	0.500	23	25003-2510
3.812	4.812	0.500	23	25003-6464	3.875	5.250	0.500	53	21086-2510
3.812	4.812	0.750	IG	29502-4291	3.875	5.250	0.562	53	21086-2511

All dimensions are in inches. Preferred sizes are indicated with **bold** type face.

Sizes listed are for standard nitrile elements, except Models 25 and 62 which have PTFE elements. Other material available on inquiry only.

Garlock

Oil Seals by Shaft Size

SHAFT	BORE	WIDTH	MODEL NO.	PART NO.	SHAFT	BORE	WIDTH	MODEL NO.	PART NO.
3.875	5.375	0.500	23	25003-2513	3.937	4.955	1.252	EQSPB	24816-7048
3.875	5.375	0.500	26	24600-2513	3.937	4.960	0.750	IG	29502-5072
3.875	5.375	0.500	53	21086-2513	3.937	4.990	0.750	IG	29502-5397
3.875	5.500	0.500	53	21086-2516	3.937	4.999	0.500	23	25003-2519
3.875	5.500	0.500	94	27223-2516	3.937	4.999	0.500	53	21086-2519
3.875	5.500	0.625	EQ	24802-1961	3.937	4.999	0.500	62	21702-2519
3.876	4.313	0.690	EQ	24807-3752	3.937	4.999	0.562	53	21086-2520
3.897	4.876	0.500	23	25003-2259	3.937	4.999	0.625	53	21086-2521
3.900	4.900	0.625	EQ	24802-3104	3.937	4.999	0.750	IG	29500-4641
3.900	5.200	0.500	23	25003-1317	3.937	4.999	0.750	IG	29502-4641
3.906	5.000	0.500	23	25003-1610	3.937	4.999	0.906	53R1	22537-5049
3.907	5.118	0.500	23	25003-0503	3.937	5.000	0.469	23	25003-6129
3.916	5.234	0.500	23	25003-2294	3.937	5.000	0.500	23	25003-5913
3.922	4.922	0.500	23	25003-9487	3.937	5.000	0.625	EQ	24801-2962
3.925	4.925	0.750	IG	29502-5648	3.937	5.062	0.375	23	25003-9646
3.933	4.933	0.500	23	25003-4747	3.937	5.062	0.375	26	24600-9646
3.934	4.934	0.625	EQ	24802-3983	3.937	5.062	0.500	23	25003-6111
3.934	5.120	0.625	EQ	24802-4697	3.937	5.118	0.472	23	25003-1979
3.937	4.562	0.690	EQ	24807-3271	3.937	5.118	0.472	53	21086-7842
3.937	4.687	0.690	EQ	24807-3557	3.937	5.118	0.472	92	27063-7842
3.937	4.724	0.394	92	27063-0852	3.937	5.118	0.500	23	25003-7979
3.937	4.724	0.433	58	21003-4263	3.937	5.118	0.500	53	21086-7979
3.937	4.724	0.472	61	24063-2242	3.937	5.118	0.512	61	24060-7979
3.937	4.724	0.472	61	24064-2242	3.937	5.118	0.625	EQ	24801-1346
3.937	4.724	0.500	23	25003-9284	3.937	5.118	0.625	EQ	24802-1346
3.937	4.724	0.512	26R1	24620-9030	3.937	5.118	0.750	IG	29502-4859
3.937	4.724	0.625	EQ	24802-1347	3.937	5.125	0.500	23	25003-2522
3.937	4.734	0.511	26	24600-4634	3.937	5.125	0.500	53	21086-2522
3.937	4.812	0.375	23	25003-7036	3.937	5.125	0.500	62	21702-2522
3.937	4.875	0.500	23	25003-5872	3.937	5.125	0.625	53	21086-2524
3.937	4.875	0.625	EQ	24801-3830	3.937	5.187	0.375	23	25003-5444
3.937	4.883	0.625	EQ	24802-2942	3.937	5.187	0.500	23	25003-4776
3.937	4.900	0.625	EQ	24802-2891	3.937	5.250	0.500	23	25003-2525
3.937	4.906	0.484	23	25003-8483	3.937	5.250	0.500	26	24600-2525
3.937	4.921	0.256	26	24600-1907	3.937	5.250	0.500	53	21086-2525
3.937	4.921	0.433	23	25003-5363	3.937	5.250	0.625	53	21086-2527
3.937	4.921	0.472	92	27063-0860	3.937	5.250	0.625	EQ	24801-3474
3.937	4.921	0.492	23	25003-1875	3.937	5.256	0.468	23	25003-1145
3.937	4.921	0.500	23	25003-3248	3.937	5.312	0.500	23	25003-6205
3.937	4.921	0.512	26R1	24620-5345	3.937	5.328	1.375	EQSPB	24816-7031
3.937	4.921	0.625	EQ	24801-2230	3.937	5.375	0.500	53	21086-2528
3.937	4.921	0.625	EQ	24802-2230	3.937	5.375	0.906	53R1	22537-8570
3.937	4.921	0.750	IG	29500-4649	3.937	5.437	0.500	23	25003-7416
3.937	4.921	0.750	IG	29502-4649	3.937	5.500	0.500	53	21086-2531
3.937	4.922	0.512	26	24600-5345	3.937	5.500	0.500	62	21702-2531
3.937	4.937	0.375	23	25003-6709	3.937	5.625	0.500	53	21086-2534
3.937	4.937	0.375	26R1	24620-6709	3.937	5.905	0.500	94	27223-6323
3.937	4.937	0.500	23	25003-4817	3.937	6.201	0.988	IGSPB	29516-7117
3.937	4.937	0.500	26	24600-4817	3.937	6.375	0.750	IG	29500-4640
3.937	4.937	0.500	53	21086-4817	3.937	6.693	0.394	26	24600-5924
3.937	4.937	0.690	EQ	24807-3000	3.938	4.724	0.750	IG	29502-4980
3.937	4.937	0.750	IG	29500-4292	3.938	4.875	0.500	61	24060-5872

All dimensions are in inches. Preferred sizes are indicated with **bold** type face. Sizes listed are for standard nitrile elements, except Models 25 and 62 which have PTFE elements. Other material available on inquiry only.

Oil Seals by Shaft Size

Garlock

SHAFT	BORE	WIDTH	MODEL NO.	PART NO.	SHAFT	BORE	WIDTH	MODEL NO.	PART NO.
3.938	4.875	0.500	EQ	24801-2533	4.000	4.999	0.500	23	25003-2537
3.938	4.881	0.625	26R1	24620-2494	4.000	4.999	0.500	53	21086-2537
3.938	4.906	0.484	23	25003-1746	4.000	4.999	0.500	62	21702-2537
3.938	4.906	0.484	23	25003-1766	4.000	4.999	0.500	66	21527-2537
3.938	4.906	0.500	23	25003-8790	4.000	4.999	0.625	53	21086-2539
3.938	4.921	0.394	23	25003-0811	4.000	4.999	0.718	53F1	22987-6990
3.938	4.937	0.625	EQ	24802-1144	4.000	4.999	0.906	53R2	22627-6799
3.938	4.938	0.438	23	25003-2523	4.000	5.000	0.375	21	25001-6360
3.938	4.938	0.625	EQ	24801-1144	4.000	5.000	0.375	23	25003-6360
3.938	4.938	0.750	IG	29502-4292	4.000	5.000	0.375	25	25058-6360
3.938	4.950	0.500	23	25003-2622	4.000	5.000	0.375	26	24600-0978
3.938	4.957	1.375	EQSPB	24816-7026	4.000	5.000	0.437	23	25003-9662
3.938	4.960	1.062	IGSPB	29516-7098	4.000	5.000	0.437	26	24600-9662
3.938	4.986	1.375	EQSPB	24816-7018	4.000	5.000	0.468	26	24600-2592
3.938	4.999	0.438	23	25003-2493	4.000	5.000	0.500	21	25001-4651
3.938	5.000	0.400	23	25003-1448	4.000	5.000	0.500	23	25003-4651
3.938	5.000	0.500	26	24600-5913	4.000	5.000	0.500	25	25058-4651
3.938	5.040	0.400	23	25003-1000	4.000	5.000	0.500	26	24600-4651
3.938	5.085	1.050	IGSPB	29516-7133	4.000	5.000	0.500	61	24060-4651
3.938	5.085	1.375	EQSPB	24816-7057	4.000	5.000	0.500	61	24062-4651
3.938	5.118	0.375	23	25003-3229	4.000	5.000	0.500	62	21702-4651
3.938	5.125	0.468	23	25003-2548	4.000	5.000	0.500	88	26088-4651
3.938	5.188	0.750	IG	29500-4845	4.000	5.000	0.500	88NS	26188-4651
3.938	5.250	0.500	61	24060-2525	4.000	5.000	0.500	EQ	24801-4651
3.938	5.250	0.750	IG	29502-5128	4.000	5.000	0.625	26	24600-2593
3.938	5.251	0.625	EQ	24802-3474	4.000	5.000	0.625	EQ	24801-2593
3.938	5.315	0.625	EQ	24802-4091	4.000	5.000	0.625	EQ	24802-2593
3.938	5.501	0.625	EQ	24802-2046	4.000	5.000	0.750	IG	29500-4160
3.938	5.643	1.125	EQSPB	24816-7047	4.000	5.000	0.750	IG	29502-4160
3.938	5.807	0.828	IGSPB	29516-5113	4.000	5.031	0.375	23	25003-9741
3.938	6.250	0.500	61	24060-1640	4.000	5.031	0.500	23	25003-9824
3.948	4.948	0.625	EQ	24802-3018	4.000	5.118	0.500	53	21086-7980
3.950	4.950	0.500	23	25003-1239	4.000	5.125	0.375	23	25003-8957
3.976	5.551	0.630	26	24600-4225	4.000	5.125	0.500	23	25003-2540
4.000	4.500	0.250	71	26001-9016	4.000	5.125	0.500	53	21086-2540
4.000	4.500	0.250	92	27063-9016	4.000	5.125	0.500	61	24060-2540
4.000	4.500	0.625	IG	29507-5137	4.000	5.125	0.500	62	21702-2540
4.000	4.562	0.109	71	26001-6325	4.000	5.125	0.500	66	21527-2540
4.000	4.625	0.312	61	24060-9879	4.000	5.125	0.563	53	21086-2541
4.000	4.625	0.312	76	26193-9879	4.000	5.125	0.625	53	21086-2542
4.000	4.750	0.375	61	24060-1643	4.000	5.125	0.625	111	21011-2542
4.000	4.750	0.500	61	24060-1488	4.000	5.125	0.625	EQ	24802-2542
4.000	4.750	0.500	61	24061-1488	4.000	5.125	0.906	53R2	22627-7559
4.000	4.875	0.500	23	25003-2554	4.000	5.125	0.969	53TB	22807-8731
4.000	4.875	0.500	26R1	24620-2554	4.000	5.131	0.375	23	25003-9648
4.000	4.875	0.563	26	24600-2590	4.000	5.248	0.500	EQ	24801-0930
4.000	4.875	0.625	26	24600-2591	4.000	5.250	0.312	26	24600-4645
4.000	4.875	0.750	IG	29502-5203	4.000	5.250	0.375	24	25005-9926
4.000	4.897	0.500	23	25003-4738	4.000	5.250	0.438	EQ	24801-1056
4.000	4.937	0.375	23	25003-9851	4.000	5.250	0.468	26	24600-2595
4.000	4.937	0.500	23	25003-2557	4.000	5.250	0.500	23	25003-2543
4.000	4.999	0.375	3	28003-4010	4.000	5.250	0.500	25	25058-2543

All dimensions are in inches. Preferred sizes are indicated with **bold** type face.

Sizes listed are for standard nitrile elements, except Models 25 and 62 which have PTFE elements. Other material available on inquiry only.

Garlock

Oil Seals by Shaft Size

SHAFT	BORE	WIDTH	MODEL NO.	PART NO.	SHAFT	BORE	WIDTH	MODEL NO.	PART NO.
4.000	5.250	0.500	53	21086-2543	4.062	5.125	0.750	IG	29502-4572
4.000	5.250	0.500	61	24060-2543	4.062	5.250	0.500	23	25003-2573
4.000	5.250	0.500	62	21702-2543	4.062	5.256	0.469	23	25003-0202
4.000	5.250	0.500	66	21527-2543	4.062	5.500	0.500	23	25003-2579
4.000	5.250	0.563	53	21086-2544	4.062	6.000	0.906	53R2	22627-7651
4.000	5.250	0.625	53	21086-2545	4.063	5.062	0.500	23	25003-7123
4.000	5.250	0.625	111	21011-2545	4.063	5.063	0.750	IG	29502-4293
4.000	5.250	0.750	IG	29502-5480	4.063	5.125	0.500	53	21086-2570
4.000	5.250	0.906	53R1	22537-6434	4.063	5.250	0.500	53	21086-2573
4.000	5.265	0.500	23	25003-6409	4.063	5.312	0.500	23	25003-6616
4.000	5.375	0.500	23	25003-2546	4.063	5.500	0.500	53	21086-2579
4.000	5.375	0.500	26	24600-2546	4.063	5.500	0.563	26	24600-2601
4.000	5.375	0.500	53	21086-2546	4.063	5.875	0.500	53	21086-2588
4.000	5.375	0.500	66	21527-2546	4.100	5.100	0.750	IG	29502-5719
4.000	5.375	0.750	IG	29502-4209	4.120	5.000	0.750	IG	29502-5513
4.000	5.500	0.438	23	25003-2553	4.125	4.686	0.109	71	26001-7992
4.000	5.500	0.500	23	25003-2549	4.125	4.750	0.690	EQ	24807-2287
4.000	5.500	0.500	24	25005-2549	4.125	5.000	0.500	23	25003-6870
4.000	5.500	0.500	25	25058-2549	4.125	5.025	1.375	EQSPB	24816-7024
4.000	5.500	0.500	53	21086-2549	4.125	5.085	0.770	IGSPB	29516-5125
4.000	5.500	0.500	66	21527-2549	4.125	5.085	1.051	IGSPB	29516-5271
4.000	5.500	0.500	EQ	24801-2549	4.125	5.125	0.375	23	25003-6625
4.000	5.500	0.563	53	21086-2550	4.125	5.125	0.500	23	25003-2600
4.000	5.500	0.625	53	21086-2551	4.125	5.125	0.500	26	24600-2600
4.000	5.500	0.719	53F1	22987-7448	4.125	5.125	0.500	53	21086-2600
4.000	5.500	0.750	25	25058-9665	4.125	5.125	0.500	61	24060-2600
4.000	5.625	0.375	23	25003-2985	4.125	5.125	0.500	62	21702-2600
4.000	5.625	0.500	53	21086-2552	4.125	5.125	0.625	EQ	24801-2604
4.000	5.750	0.500	26	24600-2555	4.125	5.125	0.625	EQ	24802-2604
4.000	5.750	0.500	53	21086-2555	4.125	5.125	0.625	IG	29507-2604
4.000	5.750	0.500	62	21702-2555	4.125	5.125	0.719	53F1	22987-8683
4.000	5.750	0.500	66	21527-2555	4.125	5.125	0.750	IG	29502-4161
4.000	5.750	0.563	53	21086-2556	4.125	5.125	0.906	53R2	22627-9018
4.000	5.750	0.781	53F1	22987-5492	4.125	5.131	0.625	EQ	24801-2438
4.000	5.875	0.500	53	21086-2558	4.125	5.187	0.500	23	25003-6578
4.000	6.000	0.500	53	21086-2561	4.125	5.230	0.963	IGSPB	29516-7137
4.000	6.000	0.500	66	21527-2561	4.125	5.250	0.375	23	25003-9060
4.000	6.000	0.906	53R2	22627-8771	4.125	5.250	0.407	23	25003-9877
4.000	6.125	0.500	53	21086-2564	4.125	5.250	0.500	23	25003-2603
4.000	6.125	0.500	66	21527-2564	4.125	5.250	0.500	26	24600-2603
4.000	6.125	0.625	53	21086-2566	4.125	5.250	0.500	53	21086-2603
4.000	6.250	0.500	53	21086-2567	4.125	5.250	0.500	61	24060-2603
4.000	6.250	0.500	66	21527-2567	4.125	5.250	0.500	62	21702-2603
4.000	6.250	0.563	53	21086-2568	4.125	5.250	0.562	53	21086-2604
4.000	6.250	0.563	111	21011-2568	4.125	5.250	0.625	53	21086-2605
4.000	6.250	0.625	53	21086-2569	4.125	5.250	0.625	EQ	24802-2605
4.000	8.000	0.625	54	21140-6010	4.125	5.250	0.750	IG	29500-4116
4.003	4.500	0.690	EQ	24807-4471	4.125	5.250	0.750	IG	29502-4116
4.016	5.438	0.500	23	25003-2533	4.125	5.250	0.906	53R2	22627-6082
4.062	5.000	0.375	23	25003-1928	4.125	5.375	0.500	23	25003-2606
4.062	5.125	0.469	23	25003-6298	4.125	5.375	0.500	53	21086-2606
4.062	5.125	0.500	23	25003-2570	4.125	5.375	0.500	61	24060-2606

All dimensions are in inches. Preferred sizes are indicated with **bold** type face.

Sizes listed are for standard nitrile elements, except Models 25 and 62 which have PTFE elements. Other material available on inquiry only.

SHAFT	BORE	WIDTH	MODEL NO.	PART NO.	SHAFT	BORE	WIDTH	MODEL NO.	PART NO.
4.125	5.375	0.625	23	25003-2608	4.187	5.250	0.969	53T2	22897-8811
4.125	5.375	0.625	24	25005-2608	4.187	5.312	0.500	23	25003-2355
4.125	5.375	0.625	53	21086-2608	4.187	5.375	0.470	23	25003-7129
4.125	5.375	0.750	IG	29502-4884	4.187	5.375	0.500	23	25003-2633
4.125	5.375	0.906	53R2	22627-9320	4.187	5.375	0.500	53	21086-2633
4.125	5.500	0.438	23	25003-6142	4.187	5.375	0.625	53	21086-2635
4.125	5.500	0.500	23	25003-2609	4.187	5.437	0.500	23	25003-6783
4.125	5.500	0.500	53	21086-2609	4.187	5.500	0.500	53	21086-2636
4.125	5.500	0.500	EQ	24801-0932	4.187	5.500	0.500	62	21702-2636
4.125	5.500	0.563	53	21086-2610	4.187	5.500	0.562	53	21086-2637
4.125	5.500	0.969	53R2	22627-4752	4.187	5.500	0.625	EQ	24802-2106
4.125	5.500	0.969	53T2	22897-4752	4.187	5.625	0.500	53	21086-2639
4.125	5.625	0.500	23	25003-2612	4.187	5.687	0.375	23	25003-5190
4.125	5.625	0.500	24	25005-2612	4.187	5.750	0.500	23	25003-2642
4.125	5.625	0.500	26	24600-2612	4.187	5.750	0.500	53	21086-2642
4.125	5.625	0.500	53	21086-2612	4.187	5.875	0.500	53	21086-2645
4.125	5.750	0.625	EQ	24802-2616	4.187	5.875	0.625	EQ	24802-1960
4.125	5.875	0.500	53	21086-2618	4.187	6.000	0.500	53	21086-2648
4.125	6.000	0.500	23	25003-2621	4.187	6.000	0.906	53R2	22627-6871
4.125	6.000	0.500	53	21086-2621	4.187	6.125	0.500	53	21086-2651
4.125	6.250	0.500	53	21086-2627	4.187	6.250	0.500	53	21086-2654
4.130	4.505	0.625	IG	29507-5006	4.188	4.999	0.438	61	24063-2403
4.133	5.110	0.472	23	25003-4847	4.188	5.004	0.625	EQ	24802-1768
4.133	5.118	0.472	23	25003-8768	4.188	5.188	0.500	23	25003-2641
4.133	5.314	0.551	23	25003-5353	4.188	5.188	0.625	EQ	24802-2747
4.133	5.511	0.625	EQ	24801-5309	4.188	5.188	0.750	IG	29502-4295
4.133	5.511	0.625	EQ	24802-5309	4.188	5.230	1.062	IGSPB	29516-7088
4.134	5.118	0.472	92	27063-8768	4.188	5.250	0.468	26	24600-2644
4.134	5.118	0.500	23	25003-2000	4.188	5.250	0.469	23	25003-2644
4.134	5.118	0.512	23	25003-6052	4.188	5.250	0.625	26	24600-2646
4.134	5.118	0.625	EQ	24801-2625	4.188	5.250	0.750	IG	29500-4366
4.134	5.118	0.625	EQ	24802-2625	4.188	5.256	0.625	EQ	24802-2623
4.134	5.118	0.750	IG	29500-4981	4.188	5.500	0.500	23	25003-2636
4.134	5.118	0.750	IG	29502-4981	4.213	5.827	0.750	IG	29500-4835
4.134	5.134	0.625	EQ	24802-2629	4.217	5.280	0.500	23	25003-5635
4.134	5.315	0.500	23	25003-5763	4.230	5.230	0.625	EQ	24802-3210
4.134	5.315	0.550	26	24600-5353	4.245	5.245	0.625	EQ	24802-3224
4.134	5.315	0.551	26R1	24620-1034	4.245	5.626	0.625	EQ	24802-3282
4.134	5.512	0.472	23	25003-0866	4.250	4.812	0.109	71	26001-7546
4.134	5.512	0.472	92	27063-0866	4.250	4.875	0.500	61	24060-1646
4.134	5.512	0.750	IG	29502-4982	4.250	5.000	0.437	61	24060-1649
4.156	5.406	0.500	23	25003-9950	4.250	5.000	0.438	26	24600-2653
4.166	5.500	0.750	IG	29500-4497	4.250	5.062	0.375	23	25003-2578
4.166	5.506	0.500	23	25003-4880	4.250	5.125	0.500	61	24060-1652
4.187	4.999	0.468	61	24060-2074	4.250	5.250	0.375	23	25003-7590
4.187	5.187	0.375	23	25003-4758	4.250	5.250	0.437	23	25003-9960
4.187	5.230	1.375	EQSPB	24816-7027	4.250	5.250	0.437	26	24600-9960
4.187	5.243	1.375	EQSPB	24816-7006	4.250	5.250	0.500	23	25003-2657
4.187	5.250	0.500	23	25003-2630	4.250	5.250	0.500	25	25058-2657
4.187	5.250	0.500	53	21086-2630	4.250	5.250	0.500	26	24600-2657
4.187	5.250	0.500	62	21702-2630	4.250	5.250	0.500	53	21086-2657
4.187	5.250	0.750	IG	29502-4366	4.250	5.250	0.500	61	24060-2657

All dimensions are in inches. Preferred sizes are indicated with **bold** type face.

Sizes listed are for standard nitrile elements, except Models 25 and 62 which have PTFE elements. Other material available on inquiry only.

Garlock

Oil Seals by Shaft Size

SHAFT	BORE	WIDTH	MODEL NO.	PART NO.	SHAFT	BORE	WIDTH	MODEL NO.	PART NO.
4.250	5.250	0.500	62	21702-2657	4.250	6.250	0.500	62	21702-2681
4.250	5.250	0.500	66	21527-2657	4.250	6.250	0.562	53	21086-2682
4.250	5.250	0.562	23	25003-2658	4.250	8.250	0.625	54	21140-7351
4.250	5.250	0.625	53	21086-2659	4.255	5.255	0.625	EQ	24802-3038
4.250	5.250	0.625	EQ	24801-2659	4.279	5.500	0.375	23	25003-0929
4.250	5.250	0.625	EQ	24802-2659	4.284	5.284	0.750	IG	29500-4464
4.250	5.250	0.625	IG	29507-2659	4.291	5.394	0.500	23	25003-2949
4.250	5.250	0.719	53F1	22987-7880	4.295	5.295	0.375	23	25003-0992
4.250	5.250	0.750	IG	29500-4163	4.298	5.298	0.750	IG	29502-4769
4.250	5.250	0.750	IG	29502-4163	4.309	5.348	0.375	23	25003-3012
4.250	5.250	0.906	53R2	22627-4904	4.310	5.300	0.475	23	25003-5075
4.250	5.251	0.375	3	28003-4255	4.311	5.331	0.500	23	25003-7595
4.250	5.375	0.406	23	25003-6361	4.312	5.187	0.375	23	25003-6851
4.250	5.375	0.500	23	25003-2660	4.312	5.312	0.375	23	25003-9862
4.250	5.375	0.500	26	24600-0933	4.312	5.312	0.500	23	25003-9143
4.250	5.375	0.500	53	21086-2660	4.312	5.375	0.500	23	25003-2684
4.250	5.375	0.500	66	21527-2660	4.312	5.375	0.500	53	21086-2684
4.250	5.375	0.625	53	21086-2662	4.312	5.437	0.500	23	25003-0736
4.250	5.375	0.625	EQ	24801-2874	4.312	5.500	0.500	53	21086-2687
4.250	5.375	0.625	EQ	24802-2874	4.312	5.500	0.500	62	21702-2687
4.250	5.375	0.906	53R1	22537-4837	4.312	5.500	0.625	23	25003-2689
4.250	5.376	0.750	IG	29500-5716	4.312	5.500	0.625	53	21086-2689
4.250	5.500	0.500	21	25001-2663	4.312	5.500	0.750	IG	29502-4115
4.250	5.500	0.500	23	25003-2663	4.312	5.500	0.969	53R2	22627-8635
4.250	5.500	0.500	53	21086-2663	4.312	5.625	0.500	23	25003-2690
4.250	5.500	0.500	61	24060-2663	4.312	5.625	0.500	53	21086-2690
4.250	5.500	0.500	62	21702-2663	4.312	5.750	0.500	23	25003-2693
4.250	5.500	0.500	66	21527-2663	4.312	5.750	0.500	53	21086-2693
4.250	5.500	0.562	26	24600-2664	4.312	5.750	0.562	53	21086-2694
4.250	5.500	0.562	53	21086-2664	4.312	5.794	0.500	23	25003-5606
4.250	5.500	0.625	53	21086-2665	4.312	6.000	0.500	53	21086-2699
4.250	5.500	0.625	EQ	24801-0811	4.312	6.250	0.500	53	21086-2705
4.250	5.500	0.625	EQ	24802-0811	4.312	6.375	0.781	53F1	22987-7232
4.250	5.500	0.750	IG	29500-4480	4.313	5.313	0.438	23	25003-2696
4.250	5.500	0.750	IG	29502-4480	4.313	5.313	0.625	EQ	24801-2042
4.250	5.625	0.500	23	25003-2666	4.313	5.313	0.750	IG	29502-4296
4.250	5.625	0.500	53	21086-2666	4.313	5.500	0.500	23	25003-2687
4.250	5.625	0.625	EQ	24802-4390	4.313	5.500	0.625	EQ	24802-2700
4.250	5.687	0.500	23	25003-5331	4.313	5.500	0.750	IG	29500-4115
4.250	5.687	0.500	94	27223-5331	4.313	5.501	0.438	23	25003-2691
4.250	5.702	0.484	23	25003-9640	4.313	5.687	0.750	IG	29502-5123
4.250	5.750	0.500	21	25001-6293	4.313	5.750	0.625	EQ	24802-2689
4.250	5.750	0.500	23	25003-2669	4.321	5.195	0.500	23	25003-9761
4.250	5.750	0.500	24	25005-2669	4.325	5.325	0.750	IG	29502-5735
4.250	5.750	0.500	53	21086-2669	4.328	5.203	0.375	23	25003-6957
4.250	5.750	0.562	53	21086-2670	4.330	5.127	0.511	26	24600-4635
4.250	5.750	0.625	53	21086-2671	4.330	5.250	0.625	EQ	24802-1817
4.250	5.750	0.906	53R2	22627-6563	4.330	5.393	0.500	23	25003-0587
4.250	5.875	0.625	EQ	24801-2672	4.331	4.961	0.625	IG	29507-5266
4.250	6.000	0.500	53	21086-2675	4.331	5.118	0.354	26	24600-3260
4.250	6.125	0.500	53	21086-2678	4.331	5.118	0.472	26R1	24620-2034
4.250	6.250	0.500	53	21086-2681	4.331	5.118	0.512	26	24600-2686

All dimensions are in inches. Preferred sizes are indicated with **bold** type face. Sizes listed are for standard nitrile elements, except Models 25 and 62 which have PTFE elements. Other material available on inquiry only.

Oil Seals by Shaft Size

Garlock

SHAFT	BORE	WIDTH	MODEL NO.	PART NO.	SHAFT	BORE	WIDTH	MODEL NO.	PART NO.
4.331	5.118	0.625	EQ	24802-3318	4.375	5.375	0.750	IG	29502-4164
4.331	5.118	0.690	EQ	24807-3315	4.375	5.375	0.906	53R2	22627-8202
4.331	5.125	0.750	IG	29502-5767	4.375	5.500	0.500	23	25003-2711
4.331	5.250	0.375	23	25003-7482	4.375	5.500	0.500	53	21086-2711
4.331	5.315	0.433	23	25003-5364	4.375	5.500	0.500	62	21702-2711
4.331	5.315	0.500	23	25003-2626	4.375	5.500	0.562	26	24600-2712
4.331	5.331	0.500	23	25003-0977	4.375	5.500	0.562	53	21086-2712
4.331	5.331	0.625	EQ	24802-2974	4.375	5.500	0.625	EQ	24801-5048
4.331	5.331	0.750	IG	29500-5383	4.375	5.500	0.750	IG	29500-5699
4.331	5.331	0.750	IG	29502-5383	4.375	5.500	0.969	53R2	22627-7803
4.331	5.500	0.437	23	25003-9144	4.375	5.500	0.969	53T2	22897-7803
4.331	5.500	0.719	53F1	22987-1874	4.375	5.563	0.500	53	21086-7473
4.331	5.500	0.875	53R1	22537-8454	4.375	5.625	0.500	23	25003-2714
4.331	5.511	0.472	26R1	24620-7396	4.375	5.625	0.500	53	21086-2714
4.331	5.511	0.511	26R1	24620-2731	4.375	5.750	0.500	23	25003-2717
4.331	5.511	0.625	EQ	24801-1082	4.375	5.750	0.500	53	21086-2717
4.331	5.512	0.472	23	25003-7396	4.375	5.812	0.500	23	25003-0995
4.331	5.512	0.472	53	21086-7396	4.375	5.827	0.484	23	25003-9785
4.331	5.512	0.472	61	24060-7396	4.375	5.875	0.375	23	25003-6919
4.331	5.512	0.472	61	24064-7396	4.375	5.875	0.375	25	25058-6919
4.331	5.512	0.500	23	25003-9567	4.375	5.875	0.500	23	25003-2720
4.331	5.512	0.512	26	24600-2731	4.375	5.875	0.500	53	21086-2720
4.331	5.512	0.512	61	24060-1502	4.375	6.000	0.500	53	21086-2723
4.331	5.512	0.512	61	24062-1502	4.375	6.000	0.500	62	21702-2723
4.331	5.512	0.512	61	24064-1502	4.375	6.000	0.562	23	25003-2724
4.331	5.512	0.551	23	25003-5346	4.375	6.000	0.750	IG	29502-5912
4.331	5.512	0.551	26R1	24620-2703	4.375	6.125	0.500	53	21086-2726
4.331	5.512	0.551	58	21003-4264	4.375	6.250	0.500	53	21086-2729
4.331	5.512	0.551	59	24700-2703	4.375	6.250	0.500	66	21527-2729
4.331	5.512	0.625	EQ	24802-1082	4.375	6.250	0.562	53	21086-2730
4.331	5.512	0.750	IG	29500-4984	4.375	9.125	0.625	54	21140-6014
4.331	5.512	0.750	IG	29502-4984	4.409	5.709	0.551	58	21003-2262
4.331	5.541	0.500	23	25003-7449	4.410	5.375	0.625	26R1	24620-2827
4.331	5.562	0.750	IG	29502-5548	4.425	5.626	0.625	EQ	24802-3251
4.331	5.831	0.500	23	25003-6820	4.429	6.297	0.750	IG	29500-4842
4.331	5.905	0.625	23	25003-6992	4.435	5.594	0.500	23	25003-2984
4.331	6.693	0.500	94	27223-4488	4.437	5.250	0.375	23	25003-5449
4.332	5.354	0.625	IG	29519-3125	4.437	5.437	0.375	23	25003-4705
4.335	5.335	0.625	EQ	24802-3094	4.437	5.437	0.500	23	25003-6362
4.343	5.342	0.375	23	25003-5716	4.437	5.500	0.500	53	21086-2732
4.362	5.362	0.750	IG	29502-5717	4.437	5.500	0.500	62	21702-2732
4.375	5.000	0.375	61	24060-6363	4.437	5.500	0.562	53	21086-2733
4.375	5.250	0.375	23	25003-3159	4.437	5.500	0.562	EQ	24802-2733
4.375	5.312	0.750	IG	29502-5821	4.437	5.500	0.625	EQ	24801-2885
4.375	5.375	0.375	23	25003-9204	4.437	5.500	0.625	EQ	24802-2885
4.375	5.375	0.500	23	25003-2708	4.437	5.500	0.750	IG	29500-4495
4.375	5.375	0.500	25	25058-2708	4.437	5.500	0.906	53R1	22537-7439
4.375	5.375	0.500	53	21086-2708	4.437	5.548	1.375	EQSPB	24816-7028
4.375	5.375	0.500	62	21702-2708	4.437	5.562	0.500	23	25003-4820
4.375	5.375	0.625	EQ	24802-2050	4.437	5.625	0.500	53	21086-2735
4.375	5.375	0.687	26R1	24620-9708	4.437	5.625	0.625	62	21702-2737
4.375	5.375	0.718	53F1	22987-9708	4.437	5.687	0.500	23	25003-6410

All dimensions are in inches. Preferred sizes are indicated with **bold** type face.

Sizes listed are for standard nitrile elements, except Models 25 and 62 which have PTFE elements. Other material available on inquiry only.

SHAFT	BORE	WIDTH	MODEL NO.	PART NO.	SHAFT	BORE	WIDTH	MODEL NO.	PART NO.
4.437	5.687	0.625	23	25003-8444	4.500	5.500	0.375	61	24062-6363
4.437	5.750	0.500	23	25003-2738	4.500	5.500	0.437	23	25003-4873
4.437	5.750	0.500	53	21086-2738	4.500	5.500	0.437	26	24600-4873
4.437	5.750	0.500	62	21702-2738	4.500	5.500	0.437	61	24060-4873
4.437	5.750	0.562	53	21086-2739	4.500	5.500	0.500	23	25003-2753
4.437	5.750	0.625	53	21086-2740	4.500	5.500	0.500	25	25058-2753
4.437	5.750	0.719	53F1	22987-6917	4.500	5.500	0.500	26	24600-2753
4.437	5.812	0.500	23	25003-7821	4.500	5.500	0.500	53	21086-2753
4.437	5.875	0.375	23	25003-8534	4.500	5.500	0.500	26R1	24620-2753
4.437	5.890	0.484	23	25003-8490	4.500	5.500	0.500	61	24060-2753
4.437	5.937	0.500	23	25003-9085	4.500	5.500	0.500	62	21702-2753
4.437	5.937	0.500	24	25005-9085	4.500	5.500	0.500	66	21527-2753
4.437	6.000	0.500	53	21086-2744	4.500	5.500	0.500	94	27223-2753
4.437	6.000	0.562	23	25003-2745	4.500	5.500	0.500	EQ	24801-2753
4.437	6.000	0.594	23	25003-9600	4.500	5.500	0.562	53	21086-2754
4.437	6.125	0.500	53	21086-2747	4.500	5.500	0.625	53	21086-2755
4.437	6.201	0.828	IGSPB	29516-7122	4.500	5.500	0.625	EQ	24801-2755
4.437	6.250	0.500	53	21086-2750	4.500	5.500	0.625	EQ	24802-2755
4.437	6.250	0.562	53	21086-2751	4.500	5.500	0.625	IG	29507-2755
4.438	5.375	0.375	23	25003-4842	4.500	5.500	0.690	EQ	24807-3782
4.438	5.438	0.750	IG	29502-4297	4.500	5.500	0.719	53F1	22987-5892
4.438	5.500	0.500	23	25003-2732	4.500	5.500	0.750	IG	29502-4165
4.438	5.500	0.500	26	24600-2732	4.500	5.500	0.906	53T2	22897-7110
4.438	5.543	1.062	IGSPB	29516-7099	4.500	5.500	0.969	53R1	22537-6685
4.438	5.562	0.750	IG	29502-5707	4.500	5.500	0.969	53R2	22627-6685
4.438	5.625	0.500	23	25003-2735	4.500	5.501	0.375	3	28003-4455
4.438	5.750	0.563	26	24600-1697	4.500	5.512	0.375	23	25003-6587
4.438	5.750	0.625	EQ	24802-2963	4.500	5.543	1.050	IGSPB	29516-7135
4.438	5.875	0.375	23	25003-8543	4.500	5.625	0.375	23	25003-7205
4.438	5.875	0.500	23	25003-2816	4.500	5.625	0.500	23	25003-2756
4.438	5.890	0.625	EQ	24802-4743	4.500	5.625	0.500	53	21086-2756
4.438	6.000	0.500	23	25003-2744	4.500	5.625	0.500	66	21527-2756
4.438	6.250	0.500	23	25003-2750	4.500	5.625	0.500	94	27223-2756
4.443	5.500	0.625	EQ	24802-1840	4.500	5.625	0.562	53	21086-2757
4.449	5.472	0.375	23	25003-0408	4.500	5.625	0.625	53	21086-2758
4.449	5.512	0.492	53	21086-2818	4.500	5.625	0.719	53F1	22987-8278
4.449	6.378	0.750	IG	29500-4841	4.500	5.687	0.500	23	25003-1277
4.450	5.325	0.625	EQ	24802-2740	4.500	5.688	0.625	23	25003-1625
4.450	5.437	0.750	IG	29502-5132	4.500	5.750	0.375	23	25003-2763
4.450	5.692	0.500	23	25003-9672	4.500	5.750	0.375	23	25003-4771
4.475	5.500	0.500	23	25003-5003	4.500	5.750	0.437	61	24062-1664
4.477	6.256	0.625	23	25003-1020	4.500	5.750	0.438	23	25003-1664
4.488	5.512	0.750	IG	29502-5813	4.500	5.750	0.438	26	24600-4406
4.494	5.925	0.500	23	25003-2790	4.500	5.750	0.500	23	25003-2759
4.500	5.250	0.375	26	24600-2763	4.500	5.750	0.500	26	24600-2759
4.500	5.250	0.500	61	24060-2756	4.500	5.750	0.500	53	21086-2759
4.500	5.250	0.750	IG	29502-4213	4.500	5.750	0.500	61	24060-2759
4.500	5.375	0.500	23	25003-6015	4.500	5.750	0.500	62	21702-2759
4.500	5.500	0.375	21	25001-6363	4.500	5.750	0.500	EQ	24801-2759
4.500	5.500	0.375	23	25003-6363	4.500	5.750	0.562	53	21086-2760
4.500	5.500	0.375	25	25058-6363	4.500	5.750	0.625	26	24600-2761
4.500	5.500	0.375	26	24600-4614	4.500	5.750	0.625	53	21086-2761

All dimensions are in inches. Preferred sizes are indicated with **bold** type face. Sizes listed are for standard nitrile elements, except Models 25 and 62 which have PTFE elements. Other material available on inquiry only.

Oil Seals by Shaft Size

Garlock

SHAFT	BORE	WIDTH	MODEL NO.	PART NO.	SHAFT	BORE	WIDTH	MODEL NO.	PART NO.
4.500	5.750	0.625	EQ	24801-2761	4.560	6.125	0.625	EQ	24801-2948
4.500	5.750	0.750	IG	29500-4391	4.562	5.437	0.375	23	25003-9842
4.500	5.750	0.750	IG	29502-4391	4.562	5.562	0.375	23	25003-4939
4.500	5.750	0.969	53R2	22627-7258	4.562	5.625	0.500	23	25003-2777
4.500	5.750	0.969	53T2	22897-7258	4.562	5.625	0.500	53	21086-2777
4.500	5.875	0.500	23	25003-2762	4.562	5.687	0.500	23	25003-4796
4.500	5.875	0.500	24	25005-2762	4.562	5.750	0.500	53	21086-2780
4.500	5.875	0.500	53	21086-2762	4.562	5.750	0.500	62	21702-2780
4.500	5.875	0.500	66	21527-2762	4.562	5.750	0.562	26	24600-2788
4.500	5.937	0.500	23	25003-6801	4.562	5.750	0.625	53	21086-2782
4.500	6.000	0.375	23	25003-9132	4.562	5.812	0.500	23	25003-8455
4.500	6.000	0.375	24	25005-9132	4.562	5.875	0.500	53	21086-2783
4.500	6.000	0.500	23	25003-2765	4.562	6.000	0.500	23	25003-2786
4.500	6.000	0.500	24	25005-2765	4.562	6.000	0.500	53	21086-2786
4.500	6.000	0.500	25	25058-2765	4.562	6.062	0.500	23	25003-0688
4.500	6.000	0.500	26	24600-2765	4.562	6.125	0.500	53	21086-2789
4.500	6.000	0.500	53	21086-2765	4.562	6.250	0.500	23	25003-2792
4.500	6.000	0.500	61	24060-2765	4.562	6.250	0.500	53	21086-2792
4.500	6.000	0.500	62	21702-2765	4.562	6.375	0.500	53	21086-2795
4.500	6.000	0.562	53	21086-2766	4.563	5.437	0.500	23	25003-4459
4.500	6.000	0.625	53	21086-2767	4.563	5.543	1.062	IGSPB	29516-7090
4.500	6.000	0.750	IG	29500-4212	4.563	5.563	0.625	EQ	24802-2051
4.500	6.000	0.750	IG	29502-4212	4.563	5.563	0.750	IG	29502-2051
4.500	6.000	0.906	53R1	22537-7560	4.563	5.750	0.500	23	25003-2780
4.500	6.125	0.500	53	21086-2768	4.563	5.751	0.625	EQ	24801-2141
4.500	6.250	0.500	53	21086-2771	4.565	5.565	0.625	EQ	24802-3168
4.500	6.250	0.500	62	21702-2771	4.591	5.508	0.625	EQ	24801-5164
4.500	6.250	0.500	66	21527-2771	4.599	5.599	0.625	EQ	24802-2949
4.500	6.250	0.625	EQ	24801-2291	4.625	5.625	0.375	23	25003-6544
4.500	6.250	0.969	53T2	22897-8697	4.625	5.625	0.500	23	25003-2798
4.500	6.375	0.500	23	25003-2774	4.625	5.625	0.500	25	25058-2798
4.500	6.375	0.500	53	21086-2774	4.625	5.625	0.500	26	24600-2798
4.500	6.375	0.500	62	21702-2774	4.625	5.625	0.500	53	21086-2798
4.500	6.375	0.625	53	21086-2776	4.625	5.625	0.500	26R1	24620-2798
4.500	6.500	0.500	21	25001-1380	4.625	5.625	0.500	62	21702-2798
4.500	6.988	0.807	IGSPB	29516-7148	4.625	5.625	0.562	53	21086-2799
4.500	7.000	0.531	26R1	24620-3542	4.625	5.625	0.625	EQ	24801-2808
4.500	7.000	0.531	94	27223-9543	4.625	5.625	0.625	EQ	24802-2808
4.515	5.515	0.750	IG	29502-5754	4.625	5.625	0.750	IG	29502-4166
4.520	5.500	0.750	IG	29502-4604	4.625	5.750	0.500	23	25003-2801
4.527	5.511	0.433	23	25003-5365	4.625	5.750	0.500	53	21086-2801
4.527	5.512	0.625	EQ	24802-2780	4.625	5.750	0.500	62	21702-2801
4.527	5.708	0.551	23	25003-5347	4.625	5.750	0.562	26	24600-2802
4.527	5.708	0.551	26	24600-0841	4.625	5.750	0.562	53	21086-2802
4.527	5.709	0.787	26R1	24620-3419	4.625	5.750	0.906	53R2	22627-7245
4.528	5.512	0.472	23	25003-7271	4.625	5.875	0.500	23	25003-2804
4.528	5.512	0.472	53	21086-7271	4.625	5.875	0.500	53	21086-2804
4.528	5.512	0.472	26R1	24620-2279	4.625	6.000	0.500	23	25003-2807
4.528	5.512	0.625	EQ	24801-2780	4.625	6.000	0.500	53	21086-2807
4.528	5.709	0.472	92	27063-0869	4.625	6.000	0.500	62	21702-2807
4.531	5.531	0.500	23	25003-6748	4.625	6.000	0.625	53	21086-2809
4.540	6.150	0.625	EQ	24802-3105	4.625	6.000	0.625	26R1	24620-2809

All dimensions are in inches. Preferred sizes are indicated with **bold** type face.

Sizes listed are for standard nitrile elements, except Models 25 and 62 which have PTFE elements. Other material available on inquiry only.

SHAFT	BORE	WIDTH	MODEL NO.	PART NO.	SHAFT	BORE	WIDTH	MODEL NO.	PART NO.
4.625	6.000	0.719	53F1	22987-9347	4.724	6.000	0.500	23	25003-1024
4.625	6.000	0.969	53T2	22897-7689	4.724	6.101	0.500	23	25003-1303
4.625	6.077	0.484	23	25003-8614	4.724	6.299	0.472	23	25003-7836
4.625	6.095	0.500	23	25003-2719	4.724	6.299	0.472	26	24600-7836
4.625	6.125	0.500	23	25003-2810	4.724	6.299	0.472	53	21086-7836
4.625	6.125	0.500	24	25005-2810	4.725	5.905	0.625	EQ	24802-3179
4.625	6.125	0.500	53	21086-2810	4.725	5.906	0.551	26	24600-5348
4.625	6.250	0.500	21	25001-2813	4.734	5.984	0.500	23	25003-7587
4.625	6.250	0.500	23	25003-2813	4.750	5.500	0.375	26	24600-2841
4.625	6.250	0.500	53	21086-2813	4.750	5.500	0.375	26R1	24620-2841
4.640	5.640	0.750	IG	29502-5636	4.750	5.500	0.500	61	24060-1667
4.646	5.039	0.625	IG	29507-5326	4.750	5.500	0.500	61	24064-1667
4.646	5.906	0.625	EQ	24802-5510	4.750	5.500	0.750	IG	29502-5410
4.656	6.031	0.500	23	25003-6084	4.750	5.625	0.437	26	24600-5439
4.664	5.875	0.500	23	25003-4447	4.750	5.625	0.500	23	25003-5443
4.680	6.000	0.625	EQ	24802-3062	4.750	5.625	0.625	23	25003-5495
4.687	5.625	0.500	23	25003-1160	4.750	5.625	0.625	26	24600-5495
4.687	5.687	0.500	23	25003-6525	4.750	5.750	0.375	23	25003-6213
4.687	5.687	0.500	25	25058-6525	4.750	5.750	0.500	23	25003-2837
4.687	5.750	0.500	23	25003-2819	4.750	5.750	0.500	26	24600-2837
4.687	5.750	0.500	53	21086-2819	4.750	5.750	0.500	53	21086-2837
4.687	5.750	0.562	53	21086-2820	4.750	5.750	0.500	61	24060-2837
4.687	5.750	0.906	53T2	22897-5043	4.750	5.750	0.500	61	24064-2837
4.687	5.812	0.500	23	25003-6364	4.750	5.750	0.500	62	21702-2837
4.687	5.875	0.500	23	25003-2822	4.750	5.750	0.562	53	21086-2838
4.687	5.875	0.500	53	21086-2822	4.750	5.750	0.625	53	21086-2839
4.687	5.937	0.500	23	25003-5058	4.750	5.750	0.625	EQ	24801-2931
4.687	6.000	0.500	53	21086-2825	4.750	5.750	0.625	EQ	24802-2931
4.687	6.000	0.906	53R2	22627-7348	4.750	5.750	0.750	IG	29502-4167
4.687	6.250	0.500	53	21086-2831	4.750	5.750	0.937	53R2	22627-5285
4.687	6.250	0.969	53T2	22897-9045	4.750	5.756	0.625	EQ	24801-2510
4.687	6.375	0.500	53	21086-2834	4.750	5.875	0.500	23	25003-2840
4.688	5.688	0.750	IG	29502-4298	4.750	5.875	0.500	26	24600-2840
4.688	5.750	0.500	26	24600-2820	4.750	5.875	0.500	53	21086-2840
4.705	5.750	0.625	EQ	24801-4682	4.750	5.875	0.562	23	25003-6431
4.724	5.512	0.512	26	24600-1855	4.750	5.875	0.625	53	21086-2842
4.724	5.512	0.750	IG	29502-5550	4.750	5.937	0.500	23	25003-9839
4.724	5.708	0.433	23	25003-5366	4.750	6.000	0.375	23	25003-7795
4.724	5.708	0.433	26	24600-0994	4.750	6.000	0.500	23	25003-2843
4.724	5.708	0.500	23	25003-2634	4.750	6.000	0.500	53	21086-2843
4.724	5.724	0.750	IG	29500-5159	4.750	6.000	0.500	61	24060-2843
4.724	5.905	0.433	23	25003-8242	4.750	6.000	0.625	26	24600-2845
4.724	5.905	0.500	23	25003-5118	4.750	6.000	0.625	53	21086-2845
4.724	5.905	0.551	23	25003-5348	4.750	6.000	0.750	IG	29502-4218
4.724	5.906	0.472	53	21086-7376	4.750	6.000	0.906	53R1	22537-4836
4.724	5.906	0.472	92	27063-7376	4.750	6.000	0.906	53R2	22627-4836
4.724	5.906	0.512	26R1	24620-2863	4.750	6.000	0.906	53T2	22897-4836
4.724	5.906	0.512	61	24060-1880	4.750	6.125	0.500	23	25003-2846
4.724	5.906	0.512	61	24064-1880	4.750	6.125	0.500	53	21086-2846
4.724	5.906	0.591	53	21086-7277	4.750	6.250	0.500	23	25003-2849
4.724	5.910	0.472	23	25003-7376	4.750	6.250	0.500	53	21086-2849
4.724	5.941	0.591	26R1	24620-7277	4.750	6.250	0.500	62	21702-2849

All dimensions are in inches. Preferred sizes are indicated with **bold** type face. Sizes listed are for standard nitrile elements, except Models 25 and 62 which have PTFE elements. Other material available on inquiry only.

Oil Seals by Shaft Size

Garlock

SHAFT	BORE	WIDTH	MODEL NO.	PART NO.	SHAFT	BORE	WIDTH	MODEL NO.	PART NO.
4.750	6.250	0.625	26	24600-2851	4.875	6.125	0.500	53	21086-2876
4.750	6.250	0.625	53	21086-2851	4.875	6.125	0.625	23	25003-2878
4.750	6.250	0.625	EQ	24801-2851	4.875	6.125	0.625	53	21086-2878
4.750	6.250	0.750	23	25003-4934	4.875	6.250	0.500	23	25003-2879
4.750	6.250	0.906	53R2	22627-7877	4.875	6.250	0.500	24	25005-2879
4.750	6.375	0.500	53	21086-2852	4.875	6.250	0.500	26	24600-2879
4.750	6.500	0.625	26	24600-2853	4.875	6.250	0.500	53	21086-2879
4.750	9.250	0.625	54	21140-9986	4.875	6.250	0.500	66	21527-2879
4.788	6.000	0.625	EQ	24801-3165	4.875	6.250	0.562	23	25003-2880
4.803	5.906	0.500	23	25003-2496	4.875	6.250	0.625	26	24600-2881
4.810	6.000	0.625	EQ	24801-3164	4.875	6.250	0.625	53	21086-2881
4.812	5.750	0.500	23	25003-4759	4.875	6.250	0.858	26	24600-2886
4.812	5.812	0.375	23	25003-8402	4.875	6.325	0.500	23	25003-1241
4.812	5.812	0.500	23	25003-6491	4.875	6.375	0.500	23	25003-2882
4.812	5.812	0.750	IG	29502-4299	4.875	6.375	0.500	24	25005-2882
4.812	5.875	0.500	23	25003-2855	4.875	6.375	0.509	53	21086-2882
4.812	5.875	0.500	53	21086-2855	4.875	6.500	0.500	53	21086-2885
4.812	5.875	0.625	53	21086-2857	4.875	6.500	0.906	53R2	22627-6814
4.812	5.905	0.562	53	21086-9558	4.875	6.625	0.500	53	21086-2888
4.812	5.937	0.375	23	25003-7857	4.875	6.625	0.906	53T2	22897-6463
4.812	6.000	0.500	23	25003-2858	4.875	6.625	0.969	53T2	22897-4708
4.812	6.000	0.500	53	21086-2858	4.875	6.750	0.500	53	21086-2891
4.812	6.125	0.500	23	25003-2861	4.875	7.000	0.750	IG	29500-5119
4.812	6.250	0.500	53	21086-2864	4.882	6.299	0.413	23	25003-1707
4.812	6.375	0.625	53	21086-2869	4.910	5.910	0.500	23	25003-2024
4.813	6.007	0.375	23	25003-1248	4.920	6.125	0.437	23	25003-6638
4.813	6.313	0.500	23	25003-4536	4.921	5.906	0.472	23	25003-2887
4.835	6.250	0.500	62	21702-8132	4.921	5.906	0.472	58	21003-2887
4.851	5.886	0.750	IG	29502-4837	4.921	5.906	0.472	92	27063-2887
4.866	5.875	0.500	23	25003-1007	4.921	5.906	0.500	61	24063-2811
4.875	5.875	0.375	23	25003-5166	4.921	5.906	0.591	23	25003-1259
4.875	5.875	0.500	23	25003-2870	4.921	6.102	0.551	23	25003-5354
4.875	5.875	0.500	53	21086-2870	4.921	6.102	0.551	26R1	24620-5354
4.875	5.875	0.500	26R1	24620-0664	4.921	6.102	0.625	EQ	24801-5089
4.875	5.875	0.500	62	21702-2870	4.921	6.299	0.472	92	27063-0873
4.875	5.875	0.625	53	21086-2872	4.921	6.299	0.512	23	25003-2293
4.875	5.875	0.625	EQ	24802-2048	4.921	6.299	0.590	26	24600-2889
4.875	5.875	0.750	IG	29502-4168	4.921	6.299	0.709	23	25003-1397
4.875	5.938	0.500	23	25003-5880	4.921	6.692	0.472	26R1	24620-2890
4.875	5.980	1.062	IGSPB	29516-7089	4.921	6.890	0.625	EQ	24801-2930
4.875	5.983	1.375	EQSPB	24816-7007	4.922	5.922	0.500	23	25003-5459
4.875	6.000	0.500	23	25003-2873	4.922	6.063	0.487	23	25003-5377
4.875	6.000	0.500	53	21086-2873	4.928	6.250	0.500	26	24600-2900
4.875	6.000	0.625	23	25003-2875	4.935	6.000	0.625	EQ	24801-3790
4.875	6.000	0.625	26	24600-2875	4.937	5.937	0.375	23	25003-6754
4.875	6.000	0.625	53	21086-2875	4.937	5.937	0.500	23	25003-6561
4.875	6.000	0.625	EQ	24801-2875	4.937	5.982	1.375	EQSPB	24816-7029
4.875	6.000	0.625	EQ	24802-2875	4.937	6.000	0.375	23	25003-8629
4.875	6.000	0.906	53R2	22627-8630	4.937	6.000	0.500	23	25003-2894
4.875	6.000	0.906	53T2	22897-8630	4.937	6.000	0.500	53	21086-2894
4.875	6.062	0.500	23	25003-3143	4.937	6.000	0.500	62	21702-2894
4.875	6.125	0.500	23	25003-2876	4.937	6.000	0.500	EQ	24801-2894

All dimensions are in inches. Preferred sizes are indicated with **bold** type face.

Sizes listed are for standard nitrile elements, except Models 25 and 62 which have PTFE elements. Other material available on inquiry only.

SHAFT	BORE	WIDTH	MODEL NO.	PART NO.	SHAFT	BORE	WIDTH	MODEL NO.	PART NO.
4.937	6.000	0.625	23	25003-2896	5.000	6.000	0.500	23	25003-2915
4.937	6.000	0.625	53	21086-2896	5.000	6.000	0.500	25	25058-2915
4.937	6.000	0.625	EQ	24802-2896	5.000	6.000	0.500	26	24600-2915
4.937	6.062	0.500	23	25003-9791	5.000	6.000	0.500	53	21086-2915
4.937	6.125	0.500	53	21086-2897	5.000	6.000	0.500	26R1	24620-2915
4.937	6.187	0.500	23	25003-5138	5.000	6.000	0.500	61	24060-2915
4.937	6.250	0.500	53	21086-2900	5.000	6.000	0.500	61	24061-2915
4.937	6.250	0.562	53	21086-2901	5.000	6.000	0.500	61	24062-2915
4.937	6.375	0.500	53	21086-2903	5.000	6.000	0.500	61	24063-2915
4.937	6.375	0.562	23	25003-2904	5.000	6.000	0.500	62	21702-2915
4.937	6.437	0.500	23	25003-7867	5.000	6.000	0.562	53	21086-2916
4.937	6.437	0.500	24	25005-7867	5.000	6.000	0.625	53	21086-2917
4.937	6.437	0.562	23	25003-5052	5.000	6.000	0.625	EQ	24802-2917
4.937	6.437	0.750	23	25003-6178	5.000	6.000	0.687	23	25003-5585
4.937	6.500	0.500	53	21086-2906	5.000	6.000	0.719	53F1	22987-6603
4.937	6.500	0.625	53	21086-2908	5.000	6.000	0.750	IG	29502-4169
4.937	6.500	0.719	53F1	22987-6902	5.000	6.000	0.906	53R1	22537-6711
4.937	6.500	0.906	53R2	22627-7315	5.000	6.000	0.906	53R2	22627-6711
4.937	6.750	0.500	53	21086-2912	5.000	6.000	0.969	53F1	22987-6893
4.938	5.500	0.625	IG	29507-5563	5.000	6.000	0.969	53R2	22627-6640
4.938	5.500	0.690	EQ	24807-4652	5.000	6.000	0.969	53T2	22897-6640
4.938	5.750	0.500	23	25003-2977	5.000	6.062	0.500	23	25003-5222
4.938	5.875	0.500	23	25003-2910	5.000	6.125	0.500	23	25003-2918
4.938	5.938	0.438	23	25003-2893	5.000	6.125	0.500	25	25058-2918
4.938	5.938	0.625	EQ	24802-2539	5.000	6.125	0.500	53	21086-2918
4.938	5.938	0.750	IG	29502-4300	5.000	6.125	0.500	61	24062-2918
4.938	5.980	1.062	IGSPB	29516-7100	5.000	6.125	0.563	23	25003-2919
4.938	6.000	0.750	IG	29500-4472	5.000	6.250	0.500	23	25003-2921
4.938	6.125	0.500	23	25003-2897	5.000	6.250	0.500	25	25058-2921
4.938	6.250	0.500	23	25003-2900	5.000	6.250	0.500	26	24600-2921
4.938	6.375	0.500	23	25003-2903	5.000	6.250	0.500	53	21086-2921
4.938	6.988	0.827	IGSPB	29516-7123	5.000	6.250	0.500	26R1	24620-2921
4.938	7.000	0.750	IG	29500-4647	5.000	6.250	0.500	61	24060-2921
4.938	7.382	0.918	IGSPB	29516-7134	5.000	6.250	0.500	62	21702-2921
4.960	5.885	0.500	23	25003-1025	5.000	6.250	0.562	23	25003-2922
4.969	6.375	0.500	23	25003-9372	5.000	6.250	0.562	26	24600-2922
4.969	6.375	0.500	94	27223-9372	5.000	6.250	0.562	53	21086-2922
4.984	6.234	0.500	23	25003-9268	5.000	6.250	0.562	62	21702-2922
4.987	6.000	0.500	23	25003-2518	5.000	6.250	0.625	23	25003-2923
4.987	6.000	0.500	26	24600-2913	5.000	6.250	0.625	25	25058-2923
4.999	5.905	0.512	58	21003-2710	5.000	6.250	0.625	26	24600-2923
5.000	5.625	0.375	61	24060-1670	5.000	6.250	0.625	53	21086-2923
5.000	5.750	0.437	26	24600-2932	5.000	6.250	0.625	26R1	24620-2923
5.000	5.750	0.500	61	24060-1966	5.000	6.250	0.625	EQ	24801-2923
5.000	5.750	0.500	EQ	24801-1051	5.000	6.250	0.625	EQ	24802-2923
5.000	5.875	0.375	23	25003-9702	5.000	6.250	0.625	IG	29519-2923
5.000	5.875	0.500	23	25003-2974	5.000	6.250	0.750	IG	29502-4203
5.000	5.980	1.062	IGSPB	29516-7102	5.000	6.250	0.906	53R2	22627-4828
5.000	5.982	1.375	EQSPB	24816-7030	5.000	6.250	0.969	53T2	22897-6893
5.000	6.000	0.375	23	25003-6365	5.000	6.250	0.969	53TF	22994-6893
5.000	6.000	0.437	23	25003-9389	5.000	6.256	0.625	EQ	24802-2924
5.000	6.000	0.500	21	25001-2915	5.000	6.375	0.500	23	25003-2924

All dimensions are in inches. Preferred sizes are indicated with **bold** type face. Sizes listed are for standard nitrile elements, except Models 25 and 62 which have PTFE elements. Other material available on inquiry only.

Oil Seals by Shaft Size

Garlock

SHAFT	BORE	WIDTH	MODEL NO.	PART NO.	SHAFT	BORE	WIDTH	MODEL NO.	PART NO.
5.000	6.375	0.500	53	21086-2924	5.118	5.993	0.500	23	25003-0815
5.000	6.375	0.625	23	25003-2926	5.118	6.118	0.500	23	25003-5388
5.000	6.375	0.625	53	21086-2926	5.118	6.259	0.472	23	25003-5367
5.000	6.375	0.625	EQ	24801-3785	5.118	6.260	0.488	23	25003-1002
5.000	6.375	0.625	EQ	24802-3785	5.118	6.299	0.472	23	25003-4656
5.000	6.375	0.719	53F1	22987-6137	5.118	6.299	0.472	92	27063-4656
5.000	6.375	0.750	23	25003-9483	5.118	6.299	0.511	23	25003-7221
5.000	6.437	0.500	23	25003-2973	5.118	6.299	0.551	26R1	24620-2989
5.000	6.437	0.500	25	25058-2973	5.118	6.299	0.551	58	21003-2989
5.000	6.500	0.375	23	25003-6453	5.118	6.299	0.590	26	24600-2988
5.000	6.500	0.500	23	25003-2927	5.118	6.299	0.591	23	25003-2988
5.000	6.500	0.500	53	21086-2927	5.118	6.299	0.625	EQ	24802-3022
5.000	6.500	0.500	61	24060-2927	5.118	6.614	0.630	23	25003-0956
5.000	6.500	0.500	62	21702-2927	5.125	6.000	0.500	23	25003-2274
5.000	6.500	0.562	23	25003-2928	5.125	6.125	0.375	23	25003-5189
5.000	6.500	0.562	26	24600-2928	5.125	6.125	0.375	25	25058-5189
5.000	6.500	0.625	53	21086-2929	5.125	6.125	0.422	23	25003-6392
5.000	6.500	0.750	23	25003-6939	5.125	6.125	0.437	23	25003-6198
5.000	6.500	0.906	53R2	22627-4668	5.125	6.125	0.500	23	25003-2990
5.000	6.500	0.906	53T2	22897-4668	5.125	6.125	0.500	25	25058-2990
5.000	6.563	0.500	24	25005-9930	5.125	6.125	0.500	26	24600-2990
5.000	6.625	0.500	53	21086-2930	5.125	6.125	0.500	53	21086-2990
5.000	6.750	0.500	53	21086-2933	5.125	6.125	0.625	53	21086-2992
5.000	6.750	0.625	53	21086-2935	5.125	6.125	0.750	IG	29502-4170
5.000	6.875	0.500	53	21086-2936	5.125	6.125	0.843	53R1	22537-6432
5.000	7.000	0.500	53	21086-2939	5.125	6.125	0.843	53R2	22627-6432
5.000	7.000	0.625	53	21086-2941	5.125	6.125	0.906	53T2	22897-7347
5.000	7.000	0.750	IG	29500-5645	5.125	6.125	0.969	53T2	22897-7365
5.000	7.125	0.500	53	21086-2942	5.125	6.250	0.500	23	25003-2993
5.000	7.250	0.500	53	21086-2945	5.125	6.250	0.500	53	21086-2993
5.000	7.375	0.500	53	21086-2948	5.125	6.250	0.500	EQ	24801-0951
5.000	7.500	0.500	53	21086-2951	5.125	6.250	0.562	23	25003-2994
5.000	9.750	0.625	54	21140-6018	5.125	6.250	0.562	53	21086-2994
5.060	5.934	0.375	23	25003-0419	5.125	6.250	0.906	53R2	22627-7361
5.062	6.062	0.500	23	25003-6485	5.125	6.375	0.500	23	25003-2996
5.062	6.125	0.500	23	25003-2954	5.125	6.375	0.500	53	21086-2996
5.062	6.125	0.500	53	21086-2954	5.125	6.375	0.500	62	21702-2996
5.062	6.125	0.500	62	21702-2954	5.125	6.375	0.562	23	25003-2997
5.062	6.250	0.500	53	21086-2957	5.125	6.375	0.562	53	21086-2997
5.062	6.250	0.625	94	27223-2959	5.125	6.375	0.625	23	25003-2998
5.062	6.375	0.562	23	25003-6147	5.125	6.375	0.625	26	24600-2998
5.062	6.375	0.562	25	25058-6147	5.125	6.375	0.625	53	21086-2998
5.062	7.875	0.500	94	27223-6329	5.125	6.375	0.625	EQ	24802-2998
5.063	6.063	0.750	IG	29502-4301	5.125	6.500	0.500	23	25003-2999
5.063	6.125	0.500	26	24600-3583	5.125	6.500	0.500	53	21086-2999
5.088	6.088	0.625	EQ	24802-2986	5.125	6.500	0.625	23	25003-3001
5.094	6.586	0.484	23	25003-1229	5.125	6.500	0.625	53	21086-3001
5.098	6.598	0.500	23	25003-0581	5.125	6.500	0.906	53R2	22627-4982
5.115	6.115	0.500	23	25003-5490	5.125	6.625	0.484	23	25003-9541
5.115	6.115	0.625	EQ	24802-3095	5.125	6.625	0.500	53	21086-3002
5.115	6.118	0.375	23	25003-0926	5.125	6.625	0.750	23	25003-8137
5.118	5.992	0.375	23	25003-5797	5.125	6.750	0.500	53	21086-3005

All dimensions are in inches. Preferred sizes are indicated with **bold** type face.

Sizes listed are for standard nitrile elements, except Models 25 and 62 which have PTFE elements. Other material available on inquiry only.

SHAFT	BORE	WIDTH	MODEL NO.	PART NO.	SHAFT	BORE	WIDTH	MODEL NO.	PART NO.
5.125	7.000	0.500	53	21086-3011	5.250	6.375	0.500	23	25003-3062
5.125	7.000	0.625	53	21086-3013	5.250	6.375	0.500	53	21086-3062
5.125	7.000	0.719	53F1	22987-9429	5.250	6.437	0.375	23	25003-5697
5.125	7.250	0.500	53	21086-3017	5.250	6.437	0.500	23	25003-5696
5.125	7.500	0.500	21	25001-3023	5.250	6.500	0.500	23	25003-3065
5.125	7.500	0.500	53	21086-3023	5.250	6.500	0.500	25	25058-3065
5.125	7.500	0.625	53	21086-3025	5.250	6.500	0.500	53	21086-3065
5.161	6.475	0.500	23	25003-1779	5.250	6.500	0.500	26R1	24620-3065
5.181	6.118	0.625	EQ	24802-3727	5.250	6.500	0.500	61	24060-3065
5.187	6.187	0.500	23	25003-4660	5.250	6.500	0.500	62	21702-3065
5.187	6.250	0.500	23	25003-3026	5.250	6.500	0.625	23	25003-3067
5.187	6.250	0.500	53	21086-3026	5.250	6.500	0.625	26	24600-3067
5.187	6.250	0.500	26R1	24620-3026	5.250	6.500	0.625	53	21086-3067
5.187	6.375	0.500	53	21086-3029	5.250	6.500	0.625	62	21702-3067
5.187	6.437	0.500	23	25003-8215	5.250	6.500	0.625	88	26088-3067
5.187	6.437	0.625	23	25003-6136	5.250	6.500	0.625	88NS	26188-3067
5.187	6.500	0.500	23	25003-3032	5.250	6.500	0.625	EQ	24802-3067
5.187	6.500	0.500	53	21086-3032	5.250	6.500	0.719	53F1	22987-5171
5.187	6.500	0.625	53	21086-3034	5.250	6.500	0.750	IG	29502-4208
5.187	6.625	0.500	53	21086-3035	5.250	6.500	0.969	53T2	22897-6750
5.187	6.750	0.500	53	21086-3038	5.250	6.500	1.344	53R2	22627-5621
5.187	7.000	0.500	53	21086-3044	5.250	6.562	0.750	23	25003-4733
5.187	7.000	0.750	IG	29502-5385	5.250	6.625	0.500	23	25003-3068
5.187	7.500	0.500	21	25001-3056	5.250	6.625	0.500	53	21086-3068
5.187	7.500	0.500	53	21086-3056	5.250	6.625	0.625	53	21086-3070
5.188	6.188	0.625	EQ	24801-2766	5.250	6.750	0.500	23	25003-3071
5.188	6.188	0.750	IG	29502-4302	5.250	6.750	0.500	24	25005-3071
5.188	6.250	0.500	26	24600-3026	5.250	6.750	0.500	53	21086-3071
5.188	6.375	0.500	23	25003-3029	5.250	6.750	0.500	61	24060-3071
5.188	6.375	1.116	IGSPB	29516-7121	5.250	6.750	0.500	62	21702-3071
5.196	6.299	0.500	23	25003-9275	5.250	6.750	0.625	23	25003-3073
5.203	6.312	0.500	23	25003-5516	5.250	6.750	0.625	EQ	24802-3073
5.225	6.225	0.500	23	25003-6579	5.250	6.750	0.687	23	25003-9642
5.225	6.513	0.625	23	25003-3163	5.250	6.750	0.750	23	25003-6366
5.250	6.000	0.375	26	24600-5457	5.250	6.750	0.750	IG	29502-2573
5.250	6.000	0.500	61	24060-1674	5.250	6.750	0.906	53R2	22627-7610
5.250	6.000	0.625	EQ	24802-3057	5.250	7.000	0.500	53	21086-3077
5.250	6.000	0.750	IG	29502-5424	5.250	7.000	0.500	61	24060-3077
5.250	6.250	0.437	23	25003-5900	5.250	7.000	0.500	62	21702-3077
5.250	6.250	0.500	23	25003-3059	5.250	7.125	0.500	53	21086-3080
5.250	6.250	0.500	25	25058-3059	5.250	7.125	0.906	53R2	22627-9972
5.250	6.250	0.500	26	24600-3059	5.250	7.250	0.625	26	24600-1705
5.250	6.250	0.500	53	21086-3059	5.250	10.750	0.687	54	21140-6020
5.250	6.250	0.500	58	21003-3059	5.280	6.280	0.500	23	25003-5717
5.250	6.250	0.500	61	24060-3059	5.302	6.302	0.500	23	25003-3090
5.250	6.250	0.500	62	21702-3059	5.305	6.305	0.500	23	25003-2022
5.250	6.250	0.625	EQ	24801-5792	5.312	6.312	0.500	23	25003-7132
5.250	6.250	0.625	EQ	24802-2270	5.312	6.375	0.500	53	21086-3092
5.250	6.250	0.750	23	25003-8657	5.312	6.500	0.500	23	25003-3095
5.250	6.250	0.750	IG	29502-4171	5.312	6.500	0.500	53	21086-3095
5.250	6.256	0.625	EQ	24801-3063	5.312	6.500	0.500	62	21702-3095
5.250	6.313	0.500	23	25003-1635	5.312	6.562	0.625	23	25003-5092

All dimensions are in inches. Preferred sizes are indicated with **bold** type face. Sizes listed are for standard nitrile elements, except Models 25 and 62 which have PTFE elements. Other material available on inquiry only.

Oil Seals by Shaft Size

Garlock

SHAFT	BORE	WIDTH	MODEL NO.	PART NO.	SHAFT	BORE	WIDTH	MODEL NO.	PART NO.
5.312	6.578	0.500	23	25003-4786	5.375	6.625	0.500	53	21086-3128
5.312	6.625	0.500	23	25003-3098	5.375	6.625	0.500	66	21527-3128
5.312	6.625	0.500	53	21086-3098	5.375	6.625	0.562	23	25003-3129
5.312	6.625	0.719	53F1	22987-7252	5.375	6.625	0.562	53	21086-3129
5.312	6.687	0.625	23	25003-4425	5.375	6.625	0.563	62	21702-3129
5.312	6.750	0.500	53	21086-3101	5.375	6.625	0.625	23	25003-3130
5.312	6.750	0.500	62	21702-3101	5.375	6.625	0.625	53	21086-3130
5.312	6.812	0.500	23	25003-5931	5.375	6.687	0.562	111	21011-4559
5.312	6.875	0.500	53	21086-3104	5.375	6.750	0.500	23	25003-3131
5.312	6.937	0.500	23	25003-9251	5.375	6.750	0.500	53	21086-3131
5.312	7.250	0.500	53	21086-3113	5.375	6.750	0.625	26	24600-3124
5.313	6.313	0.750	IG	29502-4303	5.375	6.875	0.500	23	25003-3134
5.313	6.375	0.500	23	25003-3092	5.375	6.875	0.500	53	21086-3134
5.313	6.375	1.062	IGSPB	29516-7091	5.375	6.875	0.500	66	21527-3134
5.313	6.375	1.187	IGSPB	29516-7072	5.375	6.875	0.625	53	21086-3136
5.314	6.496	0.551	23	25003-5355	5.375	6.875	0.750	23	25003-7124
5.314	6.692	0.512	26	24600-9175	5.375	7.000	0.625	53	21086-3139
5.314	6.692	0.590	26R1	24620-3118	5.375	7.125	0.625	53	21086-3142
5.314	6.814	0.500	24	25005-9206	5.375	7.500	0.625	21	25001-3151
5.315	6.299	0.500	23	25003-5511	5.375	7.500	0.625	53	21086-3151
5.315	6.456	0.487	23	25003-5378	5.415	6.815	0.500	23	25003-1089
5.315	6.496	0.315	61	24060-1884	5.420	6.625	0.500	23	25003-4841
5.315	6.496	0.625	EQ	24801-5088	5.433	7.008	0.630	26	24600-4226
5.315	6.614	0.709	26	24600-2047	5.437	6.375	0.500	23	25003-0627
5.315	6.693	0.472	23	25003-9175	5.437	6.437	0.500	23	25003-4750
5.315	6.693	0.500	23	25003-2572	5.437	6.500	0.500	23	25003-0738
5.315	6.693	0.591	23	25003-3118	5.437	6.625	0.500	53	21086-3152
5.315	6.693	0.625	EQ	24802-3162	5.437	6.656	0.463	23	25003-6532
5.344	6.312	0.500	23	25003-4575	5.437	6.687	0.625	23	25003-6367
5.375	6.125	0.500	61	24060-1676	5.437	6.750	0.500	23	25003-3155
5.375	6.125	0.750	IG	29502-5745	5.437	6.750	0.500	53	21086-3155
5.375	6.312	0.500	23	25003-4576	5.437	6.750	0.562	53	21086-3156
5.375	6.375	0.375	23	25003-6622	5.437	6.750	0.625	23	25003-3157
5.375	6.375	0.500	21	25001-3122	5.437	6.875	0.500	53	21086-3158
5.375	6.375	0.500	23	25003-3122	5.437	6.875	0.969	53F1	22987-5027
5.375	6.375	0.500	25	25058-3122	5.437	6.937	0.625	23	25003-8575
5.375	6.375	0.500	26	24600-3122	5.437	6.937	0.750	25	25058-8782
5.375	6.375	0.500	53	21086-3122	5.437	7.000	0.500	53	21086-3161
5.375	6.375	0.500	26R1	24620-3122	5.437	7.125	0.500	53	21086-3164
5.375	6.375	0.500	61	24060-3122	5.437	7.250	0.500	53	21086-3167
5.375	6.375	0.500	62	21702-3122	5.437	7.500	0.500	21	25001-3174
5.375	6.375	0.750	EQ	24801-1864	5.438	6.438	0.750	IG	29502-4304
5.375	6.375	0.750	IG	29502-1864	5.438	6.500	0.500	61	24060-0738
5.375	6.500	0.500	23	25003-3125	5.438	6.500	0.525	23	25003-4713
5.375	6.500	0.500	53	21086-3125	5.438	6.625	0.500	23	25003-3152
5.375	6.500	0.500	66	21527-3125	5.438	6.625	0.500	26	24600-3173
5.375	6.500	0.562	23	25003-3126	5.438	6.688	0.625	EQ	24802-2904
5.375	6.500	0.562	53	21086-3126	5.438	6.720	0.625	23	25003-1250
5.375	6.500	0.625	23	25003-3127	5.438	6.750	0.750	23	25003-1777
5.375	6.500	0.625	53	21086-3127	5.438	6.750	0.983	IGSPB	29516-7103
5.375	6.500	0.750	23	25003-4451	5.438	6.750	1.250	EQSPB	24816-7049
5.375	6.625	0.500	23	25003-3128	5.438	6.875	0.750	23	25003-3144

All dimensions are in inches. Preferred sizes are indicated with **bold** type face.

Sizes listed are for standard nitrile elements, except Models 25 and 62 which have PTFE elements. Other material available on inquiry only.

Garlock

Oil Seals by Shaft Size

SHAFT	BORE	WIDTH	MODEL NO.	PART NO.	SHAFT	BORE	WIDTH	MODEL NO.	PART NO.
5.438	6.875	0.750	IG	29500-4504	5.500	6.875	0.500	23	25003-3185
5.500	6.250	0.312	76	26193-7534	5.500	6.875	0.500	53	21086-3185
5.500	6.250	0.437	61	24060-1679	5.500	6.875	0.562	23	25003-1961
5.500	6.250	0.438	26	24600-3177	5.500	7.000	0.500	23	25003-3188
5.500	6.375	0.437	23	25003-2624	5.500	7.000	0.500	24	25005-3188
5.500	6.375	0.500	23	25003-1682	5.500	7.000	0.500	25	25058-3188
5.500	6.375	0.500	61	24060-1682	5.500	7.000	0.500	53	21086-3188
5.500	6.375	0.563	26	24600-3019	5.500	7.000	0.500	26R1	24620-0963
5.500	6.500	0.250	61	24060-1683	5.500	7.000	0.500	61	24060-3188
5.500	6.500	0.500	23	25003-3176	5.500	7.000	0.500	62	21702-3188
5.500	6.500	0.500	25	25058-3176	5.500	7.000	0.625	23	25003-3190
5.500	6.500	0.500	26	24600-3176	5.500	7.000	0.625	53	21086-3190
5.500	6.500	0.500	53	21086-3176	5.500	7.000	0.625	62	21702-3190
5.500	6.500	0.500	58	21003-3176	5.500	7.000	0.750	23	25003-5010
5.500	6.500	0.500	61	24060-3176	5.500	7.000	0.750	26	24600-3189
5.500	6.500	0.500	62	21702-3176	5.500	7.000	0.750	26R1	24620-5010
5.500	6.500	0.625	53	21086-3178	5.500	7.000	0.828	26R1	24620-3193
5.500	6.500	0.719	53F1	22987-6741	5.500	7.000	0.969	53T2	22897-5923
5.500	6.500	0.750	IG	29502-4172	5.500	7.125	0.500	53	21086-3191
5.500	6.500	0.906	53R1	22537-4825	5.500	7.250	0.500	26	24600-3194
5.500	6.500	0.906	53R2	22627-4825	5.500	7.250	0.500	53	21086-3194
5.500	6.563	0.500	23	25003-0743	5.500	7.500	0.500	53	21086-3200
5.500	6.625	0.406	23	25003-3212	5.500	8.268	0.500	94	27223-8960
5.500	6.625	0.500	23	25003-3179	5.500	10.250	0.750	IG	29502-4735
5.500	6.625	0.500	53	21086-3179	5.511	6.299	0.511	26R1	24620-3201
5.500	6.625	0.562	23	25003-3180	5.511	6.511	0.500	23	25003-4831
5.500	6.625	0.562	53	21086-3180	5.511	6.692	0.590	26	24600-7267
5.500	6.625	0.625	53	21086-3181	5.511	6.692	0.625	23	25003-5861
5.500	6.632	0.500	26R1	24620-3186	5.511	6.693	0.472	23	25003-1718
5.500	6.687	0.625	23	25003-4420	5.511	6.693	0.591	53	21086-7267
5.500	6.693	0.750	IG	29502-5279	5.511	6.811	0.547	23	25003-5368
5.500	6.750	0.437	3	28003-5680	5.511	7.011	0.500	24	25005-5526
5.500	6.750	0.500	23	25003-3182	5.512	6.387	0.375	23	25003-4489
5.500	6.750	0.500	26	24600-3182	5.512	6.496	0.394	61	24060-1898
5.500	6.750	0.500	53	21086-3182	5.512	6.496	0.492	23	25003-2019
5.500	6.750	0.500	61	24060-3182	5.512	6.496	0.625	EQ	24801-5140
5.500	6.750	0.562	26	24600-3183	5.512	6.512	0.625	EQ	24802-3728
5.500	6.750	0.562	53	21086-3183	5.512	6.692	0.500	23	25003-9158
5.500	6.750	0.575	23	25003-2409	5.512	6.693	0.295	26	24600-3203
5.500	6.750	0.625	23	25003-3184	5.512	6.693	0.472	92	27063-1718
5.500	6.750	0.625	26	24600-3184	5.512	6.693	0.551	23	25003-7383
5.500	6.750	0.625	53	21086-3184	5.512	6.693	0.551	53	21086-7383
5.500	6.750	0.625	62	21702-3184	5.512	6.693	0.551	26R1	24620-7383
5.500	6.750	0.625	EQ	24801-3184	5.512	6.693	0.551	61	24060-7383
5.500	6.750	0.625	EQ	24802-3184	5.512	6.693	0.591	23	25003-7267
5.500	6.750	0.687	23	25003-2159	5.512	6.693	0.630	59	24700-1134
5.500	6.750	0.719	53F1	22987-8306	5.512	6.693	0.750	IG	29500-4994
5.500	6.750	0.750	23	25003-6574	5.512	6.890	0.709	23	25003-3204
5.500	6.750	0.750	IG	29502-6574	5.512	6.890	0.709	26	24600-3204
5.500	6.750	0.906	53R2	22627-7409	5.512	7.087	0.591	61	24060-2461
5.500	6.756	0.500	23	25003-4461	5.512	7.087	0.625	23	25003-3148
5.500	6.765	0.500	23	25003-6540	5.512	7.087	0.630	26	24600-2098

All dimensions are in inches. Preferred sizes are indicated with **bold** type face. Sizes listed are for standard nitrile elements, except Models 25 and 62 which have PTFE elements. Other material available on inquiry only.

Oil Seals by Shaft Size

Garlock

SHAFT	BORE	WIDTH	MODEL NO.	PART NO.	SHAFT	BORE	WIDTH	MODEL NO.	PART NO.
5.515	6.497	0.500	23	25003-0674	5.687	6.750	0.500	53	21086-3253
5.523	6.500	0.500	23	25003-0500	5.687	6.875	0.625	53	21086-3258
5.562	6.562	0.500	23	25003-9760	5.687	6.937	0.500	23	25003-7362
5.562	6.625	0.500	23	25003-3203	5.687	6.937	0.625	23	25003-9914
5.562	6.625	0.500	53	21086-3203	5.687	7.000	0.500	53	21086-3259
5.562	6.750	0.500	23	25003-6150	5.687	7.000	0.625	23	25003-7444
5.562	6.750	0.625	53	21086-3208	5.687	7.187	0.500	23	25003-9663
5.562	6.875	0.906	53R2	22627-7111	5.687	7.187	0.500	24	25005-9663
5.562	7.250	0.500	53	21086-3218	5.687	7.375	0.500	53	21086-3268
5.562	7.375	0.500	53	21086-3221	5.687	7.375	0.625	53	21086-3270
5.562	7.500	0.625	53	21086-3226	5.687	7.500	0.500	53	21086-3271
5.563	6.563	0.750	IG	29502-4305	5.687	7.500	0.906	53R2	22627-5090
5.591	6.378	0.750	IG	29502-5549	5.688	6.688	0.750	IG	29502-4306
5.625	6.624	0.625	EQ	24801-1177	5.688	6.750	0.625	23	25003-3258
5.625	6.625	0.375	26R1	24620-3232	5.708	6.889	0.551	23	25003-5349
5.625	6.625	0.453	23	25003-5726	5.708	6.889	0.551	26R1	24620-5349
5.625	6.625	0.500	23	25003-3228	5.708	7.086	0.630	23	25003-3197
5.625	6.625	0.500	53	21086-3228	5.709	7.087	0.591	23	25003-4415
5.625	6.625	0.625	53	21086-3230	5.748	7.087	0.591	23	25003-0519
5.625	6.625	0.750	IG	29502-4173	5.750	6.375	0.500	61	24060-1684
5.625	6.750	0.500	23	25003-3231	5.750	6.500	0.500	61	24060-1685
5.625	6.750	0.500	53	21086-3231	5.750	6.750	0.437	23	25003-7172
5.625	6.750	0.500	62	21702-3231	5.750	6.750	0.438	23	25003-3276
5.625	6.750	0.625	23	25003-3233	5.750	6.750	0.438	88	26088-7172
5.625	6.750	0.906	53R1	22537-4711	5.750	6.750	0.438	88NS	26188-7172
5.625	6.875	0.219	61	24060-2296	5.750	6.750	0.500	23	25003-3275
5.625	6.875	0.281	61	24061-2316	5.750	6.750	0.500	25	25058-3275
5.625	6.875	0.500	23	25003-3234	5.750	6.750	0.500	26	24600-0672
5.625	6.875	0.500	53	21086-3234	5.750	6.750	0.500	53	21086-3275
5.625	6.875	0.562	53	21086-3235	5.750	6.750	0.500	66	21527-3275
5.625	6.875	0.625	23	25003-3236	5.750	6.750	0.562	53	21086-3276
5.625	6.875	0.625	26	24600-3236	5.750	6.750	0.625	26	24600-3277
5.625	6.875	0.625	53	21086-3236	5.750	6.750	0.625	62	21702-3277
5.625	6.875	0.625	EQ	24802-3236	5.750	6.750	0.625	EQ	24802-3277
5.625	6.875	0.719	53F1	22987-8471	5.750	6.750	0.750	IG	29500-4174
5.625	6.875	0.750	IG	29500-4830	5.750	6.750	0.750	IG	29502-4174
5.625	6.875	0.969	53R2	22627-5324	5.750	6.875	0.500	23	25003-3278
5.625	7.000	0.500	53	21086-3237	5.750	6.875	0.500	25	25058-3278
5.625	7.000	0.750	23	25003-4762	5.750	6.875	0.500	53	21086-3278
5.625	7.125	0.500	23	25003-3240	5.750	6.875	0.500	62	21702-3278
5.625	7.125	0.500	24	25005-3240	5.750	6.875	0.500	66	21527-3278
5.625	7.125	0.500	53	21086-3240	5.750	6.875	0.562	23	25003-3279
5.625	7.125	0.750	23	25003-6368	5.750	6.875	0.562	62	21702-3279
5.625	7.250	0.500	53	21086-3243	5.750	6.875	0.625	23	25003-3280
5.625	7.250	0.625	53	21086-3245	5.750	6.875	0.625	62	21702-3280
5.625	7.375	0.500	53	21086-3246	5.750	6.937	0.500	23	25003-6728
5.625	7.500	0.500	53	21086-3249	5.750	6.938	1.116	IGSPB	29516-7126
5.625	7.500	0.719	53F1	22987-7002	5.750	6.938	1.250	EQSPB	24816-7055
5.625	8.000	0.500	21	25001-6963	5.750	6.950	0.305	26	24600-3287
5.625	11.375	1.000	54	21140-6021	5.750	6.968	0.500	23	25003-6474
5.635	6.874	0.750	IG	29502-5774	5.750	7.000	0.375	23	25003-6924
5.687	6.750	0.500	23	25003-3253	5.750	7.000	0.500	23	25003-3281

All dimensions are in inches. Preferred sizes are indicated with **bold** type face.

Sizes listed are for standard nitrile elements, except Models 25 and 62 which have PTFE elements. Other material available on inquiry only.

SHAFT	BORE	WIDTH	MODEL NO.	PART NO.	SHAFT	BORE	WIDTH	MODEL NO.	PART NO.
5.750	7.000	0.500	26	24600-3281	5.875	6.750	0.625	23	25003-3303
5.750	7.000	0.500	53	21086-3281	5.875	6.875	0.437	23	25003-6164
5.750	7.000	0.500	59	24700-3281	5.875	6.875	0.500	23	25003-3316
5.750	7.000	0.500	62	21702-3281	5.875	6.875	0.500	25	25058-3316
5.750	7.000	0.500	66	21527-3281	5.875	6.875	0.500	26	24600-0674
5.750	7.000	0.562	23	25003-3282	5.875	6.875	0.500	53	21086-3316
5.750	7.000	0.562	53	21086-3282	5.875	6.875	0.750	IG	29502-4175
5.750	7.000	0.562	62	21702-3282	5.875	6.938	1.116	IGSPB	29516-7125
5.750	7.000	0.625	23	25003-3283	5.875	6.938	1.523	EQSPB	24816-7118
5.750	7.000	0.625	26	24600-3283	5.875	7.000	0.500	23	25003-3319
5.750	7.000	0.625	53	21086-3283	5.875	7.000	0.500	53	21086-3319
5.750	7.000	0.625	62	21702-3283	5.875	7.000	0.500	66	21527-3319
5.750	7.000	0.844	53R2	22627-9854	5.875	7.125	0.455	23	25003-9880
5.750	7.000	0.906	53R2	22627-6166	5.875	7.125	0.500	53	21086-3322
5.750	7.000	0.969	53T2	22897-7128	5.875	7.125	0.562	53	21086-3323
5.750	7.000	0.969	66T2	23728-7128	5.875	7.125	0.625	23	25003-3324
5.750	7.000	1.031	53R2	22627-5710	5.875	7.125	0.625	53	21086-3324
5.750	7.125	0.500	23	25003-3284	5.875	7.125	0.750	IG	29502-4211
5.750	7.125	0.500	53	21086-3284	5.875	7.125	0.828	66TF	23763-6914
5.750	7.125	0.562	62	21702-0752	5.875	7.140	0.562	23	25003-5597
5.750	7.202	0.734	23	25003-9440	5.875	7.250	0.500	23	25003-3325
5.750	7.250	0.500	23	25003-3287	5.875	7.250	0.500	53	21086-3325
5.750	7.250	0.500	24	25005-3287	5.875	7.250	0.906	53R1	22537-8480
5.750	7.250	0.500	53	21086-3287	5.875	7.375	0.500	23	25003-3328
5.750	7.250	0.625	53	21086-3289	5.875	7.375	0.500	53	21086-3328
5.750	7.250	0.750	23	25003-9017	5.875	7.375	0.563	23	25003-4585
5.750	7.250	0.906	53R1	22537-5420	5.875	7.375	0.625	23	25003-3330
5.750	7.250	1.032	53R2	22627-9422	5.875	7.375	0.625	26	24600-3330
5.750	7.250	1.344	53R1	22537-8818	5.875	7.375	0.750	23	25003-9142
5.750	7.375	0.500	53	21086-3290	5.875	7.500	0.500	53	21086-3331
5.750	7.375	0.625	53	21086-3292	5.875	7.500	0.563	23	25003-3332
5.750	7.500	0.500	23	25003-3293	5.875	7.500	0.750	21	25001-3334
5.750	7.500	0.500	53	21086-3293	5.897	7.147	0.625	23	25003-3171
5.750	7.500	0.500	66	21527-3293	5.905	7.086	0.551	26R1	24620-5335
5.750	7.500	0.562	21	25001-3288	5.905	7.087	0.512	23	25003-1111
5.750	7.500	0.562	23	25003-3288	5.905	7.087	0.625	EQ	24801-1349
5.750	7.500	0.750	53	21086-3296	5.905	7.087	0.630	23	25003-2341
5.750	8.858	0.750	94	27223-5672	5.905	7.480	0.590	26	24600-4395
5.780	7.030	0.625	23	25003-5636	5.906	6.906	0.500	23	25003-9751
5.800	6.800	0.500	23	25003-7507	5.906	6.906	0.750	IG	29500-4831
5.812	6.812	0.500	23	25003-9197	5.906	6.906	0.750	IG	29502-4831
5.812	6.812	0.750	IG	29502-4307	5.906	7.086	0.551	23	25003-5335
5.812	6.875	0.500	53	21086-3297	5.906	7.087	0.472	92	27063-0875
5.812	6.937	0.500	23	25003-7275	5.906	7.087	0.551	26	24600-5335
5.812	7.000	0.500	53	21086-3300	5.906	7.087	0.551	59	24700-5335
5.812	7.000	0.562	62	21702-3301	5.906	7.087	0.591	23	25003-3327
5.812	7.125	0.500	53	21086-3305	5.906	7.087	0.591	58	21003-3327
5.812	7.250	0.500	53	21086-3306	5.906	7.087	0.625	EQ	24802-1349
5.812	7.375	0.500	53	21086-3309	5.906	7.204	0.547	23	25003-5369
5.812	7.500	0.500	53	21086-3312	5.906	7.283	0.708	23	25003-4862
5.813	7.250	0.625	23	25003-3308	5.906	7.405	0.500	24	25005-9952
5.866	6.875	0.562	58	21003-2033	5.906	7.410	0.625	23	25003-7117

All dimensions are in inches. Preferred sizes are indicated with **bold** type face. Sizes listed are for standard nitrile elements, except Models 25 and 62 which have PTFE elements. Other material available on inquiry only.

Oil Seals by Shaft Size

Garlock

SHAFT	BORE	WIDTH	MODEL NO.	PART NO.	SHAFT	BORE	WIDTH	MODEL NO.	PART NO.
5.906	7.480	0.591	23	25003-2233	6.000	7.085	0.438	23	25003-4789
5.906	7.590	0.539	23	25003-5379	6.000	7.125	0.437	23	25003-2680
5.906	7.906	0.500	23	25003-1374	6.000	7.125	0.500	53	21086-3358
5.935	6.963	0.517	26	24600-1259	6.000	7.125	0.562	23	25003-3359
5.937	6.875	0.500	23	25003-0741	6.000	7.125	0.562	53	21086-3359
5.937	6.937	0.500	23	25003-7298	6.000	7.125	0.625	23	25003-3360
5.937	7.000	0.500	23	25003-3335	6.000	7.125	0.625	26	24600-6042
5.937	7.000	0.500	53	21086-3335	6.000	7.125	0.625	53	21086-3360
5.937	7.000	0.500	62	21702-3335	6.000	7.125	0.719	23	25003-9023
5.937	7.000	0.625	53	21086-3337	6.000	7.187	0.750	23	25003-1689
5.937	7.125	0.500	53	21086-3338	6.000	7.203	0.750	23	25003-4726
5.937	7.187	0.500	23	25003-7647	6.000	7.250	0.500	23	25003-3361
5.937	7.187	0.625	23	25003-7481	6.000	7.250	0.500	26	24600-3361
5.937	7.250	0.500	53	21086-3341	6.000	7.250	0.500	53	21086-3361
5.937	7.250	0.625	53	21086-3343	6.000	7.250	0.625	23	25003-3363
5.937	7.375	0.500	53	21086-3344	6.000	7.250	0.625	25	25058-3363
5.937	7.437	0.750	23	25003-7214	6.000	7.250	0.625	53	21086-3363
5.937	7.500	0.500	53	21086-3347	6.000	7.250	0.625	62	21702-3363
5.937	7.500	0.906	53R1	22537-8708	6.000	7.250	1.343	53R2	22627-7202
5.937	7.625	0.500	53	21086-3351	6.000	7.340	1.375	EQSPB	24816-7040
5.937	7.625	0.500	62	21702-3351	6.000	7.343	0.983	IGSPB	29516-5504
5.937	7.687	0.625	23	25003-9031	6.000	7.343	1.375	EQSPB	24816-7068
5.938	6.938	0.750	IG	29502-4308	6.000	7.375	0.500	23	25003-3364
5.938	7.250	0.625	23	25003-3343	6.000	7.375	0.500	53	21086-3364
5.938	7.343	1.200	IGSPB	29516-7110	6.000	7.375	0.750	IG	29500-5481
5.938	7.375	0.500	23	25003-3344	6.000	7.375	0.750	IG	29502-5481
5.938	7.438	0.500	23	25003-2793	6.000	7.406	0.588	23	25003-3196
5.938	7.625	0.500	23	25003-3351	6.000	7.452	0.734	23	25003-9458
6.000	6.750	0.750	IG	29502-5285	6.000	7.500	0.375	23	25003-1172
6.000	7.000	0.375	23	25003-0530	6.000	7.500	0.375	26	24600-3379
6.000	7.000	0.437	23	25003-6165	6.000	7.500	0.500	23	25003-3367
6.000	7.000	0.437	26R1	24620-3354	6.000	7.500	0.500	24	25005-3367
6.000	7.000	0.438	26	24600-3354	6.000	7.500	0.500	25	25058-3367
6.000	7.000	0.500	21	25001-3355	6.000	7.500	0.500	53	21086-3367
6.000	7.000	0.500	23	25003-3355	6.000	7.500	0.500	59	24700-3367
6.000	7.000	0.500	25	25058-3355	6.000	7.500	0.500	62	21702-3367
6.000	7.000	0.500	53	21086-3355	6.000	7.500	0.625	23	25003-3369
6.000	7.000	0.500	59	24700-3355	6.000	7.500	0.625	25	25058-3369
6.000	7.000	0.500	61	24060-3355	6.000	7.500	0.625	26	24600-3389
6.000	7.000	0.500	62	21702-3355	6.000	7.500	0.625	53	21086-3369
6.000	7.000	0.500	113	21012-3355	6.000	7.500	0.625	59	24700-1024
6.000	7.000	0.562	53	21086-3356	6.000	7.500	0.625	EQ	24802-1024
6.000	7.000	0.625	23	25003-3357	6.000	7.500	0.719	53F1	22987-9304
6.000	7.000	0.625	53	21086-3357	6.000	7.500	0.750	21	25001-3370
6.000	7.000	0.625	EQ	24801-3357	6.000	7.500	0.750	23	25003-3370
6.000	7.000	0.625	EQ	24802-3357	6.000	7.500	0.750	25	25058-3370
6.000	7.000	0.750	26	24600-3362	6.000	7.500	0.750	53	21086-3370
6.000	7.000	0.750	IG	29502-3362	6.000	7.500	0.750	IG	29500-3370
6.000	7.000	0.969	53R2	22627-6746	6.000	7.500	0.750	IG	29502-3370
6.000	7.000	0.969	53T2	22897-6746	6.000	7.500	0.906	53F1	22987-7433
6.000	7.000	1.156	53R1	22537-8870	6.000	7.500	0.906	53R1	22537-7433
6.000	7.059	0.750	IG	29502-5555	6.000	7.500	0.906	53R2	22627-7433

All dimensions are in inches. Preferred sizes are indicated with **bold** type face.

Sizes listed are for standard nitrile elements, except Models 25 and 62 which have PTFE elements. Other material available on inquiry only.

SHAFT	BORE	WIDTH	MODEL NO.	PART NO.	SHAFT	BORE	WIDTH	MODEL NO.	PART NO.
6.000	7.500	0.906	53T2	22897-7433	6.125	7.375	0.500	23	25003-3381
6.000	7.500	1.344	53R2	22627-4784	6.125	7.375	0.500	53	21086-3381
6.000	7.531	0.588	23	25003-5284	6.125	7.375	0.625	23	25003-3383
6.000	7.625	0.500	53	21086-3371	6.125	7.375	0.625	53	21086-3383
6.000	7.625	0.500	62	21702-3371	6.125	7.500	0.500	53	21086-3384
6.000	7.625	0.562	53	21086-3372	6.125	7.500	0.500	62	21702-3384
6.000	7.625	0.625	26	24600-3373	6.125	7.500	0.750	23	25003-3387
6.000	7.625	0.750	53	21086-3374	6.125	7.500	0.750	53	21086-3387
6.000	8.250	0.750	21	25001-4780	6.125	7.500	0.906	53R1	22537-6146
6.002	7.002	0.500	23	25003-0803	6.125	7.500	0.906	53R2	22627-6146
6.030	7.324	0.615	23	25003-1300	6.125	7.500	0.969	53F1	22987-5884
6.032	7.312	0.500	23	25003-9245	6.125	7.500	0.969	53TF	22994-5884
6.062	7.062	0.375	23	25003-2560	6.125	7.625	0.500	24	25005-8169
6.062	7.125	0.500	23	25003-5057	6.125	7.625	0.500	62	21702-8169
6.062	7.312	0.625	23	25003-9099	6.125	7.625	0.625	23	25003-6602
6.062	7.349	1.375	EQSPB	24816-7014	6.125	7.625	0.625	26	24600-3418
6.062	7.375	0.500	23	25003-5661	6.125	7.625	0.625	53	21086-6602
6.062	7.500	0.500	53	21086-4490	6.125	7.625	0.687	64	21238-1299
6.062	7.500	0.750	23	25003-1393	6.125	7.625	0.750	23	25003-4729
6.062	7.562	0.750	23	25003-5119	6.125	7.625	0.750	25	25058-4729
6.062	7.687	0.500	23	25003-9703	6.125	7.625	0.750	53	21086-4729
6.063	7.062	0.500	23	25003-7726	6.125	7.625	0.750	IG	29502-5583
6.063	7.063	0.390	23	25003-2890	6.125	9.000	1.438	26	24600-3422
6.063	7.063	0.438	23	25003-3376	6.187	7.187	0.500	23	25003-7789
6.063	7.063	0.750	IG	29502-4309	6.187	7.250	0.500	23	25003-5563
6.063	7.087	0.413	23	25003-1706	6.187	7.437	0.500	23	25003-7719
6.063	7.343	1.187	IGSPB	29516-7074	6.187	7.437	0.625	23	25003-8654
6.063	7.500	0.500	23	25003-4490	6.187	7.500	0.625	76	26193-7472
6.063	7.500	0.750	IG	29502-5712	6.187	7.508	0.250	26	24600-4388
6.100	6.875	0.625	61	24063-2281	6.188	7.188	0.750	IG	29502-4311
6.102	6.850	0.472	26	24600-3326	6.188	7.500	0.625	23	25003-7472
6.102	7.086	0.590	26R1	24620-3352	6.188	7.688	0.750	26	24600-3390
6.102	7.087	0.500	23	25003-1269	6.218	8.062	0.750	IG	29502-5524
6.102	7.087	0.591	59	24700-3352	6.221	7.250	0.500	23	25003-1004
6.102	7.102	0.500	23	25003-6982	6.229	7.480	0.511	23	25003-7816
6.109	7.094	0.492	23	25003-7634	6.229	7.549	0.625	26	24600-6867
6.125	7.000	0.500	23	25003-9232	6.247	7.188	0.375	23	25003-1286
6.125	7.125	0.500	23	25003-3375	6.250	7.125	0.625	EQ	24802-1764
6.125	7.125	0.500	25	25058-3375	6.250	7.185	0.500	23	25003-4551
6.125	7.125	0.500	53	21086-3375	6.250	7.250	0.375	23	25003-0527
6.125	7.125	0.500	62	21702-3375	6.250	7.250	0.437	23	25003-6450
6.125	7.125	0.625	26	24600-3377	6.250	7.250	0.437	61	24060-6450
6.125	7.125	0.625	53	21086-3377	6.250	7.250	0.438	26	24600-6450
6.125	7.125	0.625	26R1	24620-3377	6.250	7.250	0.500	23	25003-3388
6.125	7.125	0.750	IG	29500-4310	6.250	7.250	0.500	53	21086-3388
6.125	7.125	0.750	IG	29502-4310	6.250	7.250	0.500	26R1	24620-0678
6.125	7.187	0.500	23	25003-4424	6.250	7.250	0.625	23	25003-3390
6.125	7.250	0.500	23	25003-3378	6.250	7.250	0.750	IG	29500-4312
6.125	7.250	0.500	53	21086-3378	6.250	7.250	0.750	IG	29502-4312
6.125	7.250	0.625	23	25003-3380	6.250	7.250	0.906	53R1	22537-7330
6.125	7.250	0.625	25	25058-3380	6.250	7.250	0.969	53T2	22897-7864
6.125	7.250	0.625	53	21086-3380	6.250	7.343	1.187	IGSPB	29516-7073

All dimensions are in inches. Preferred sizes are indicated with **bold** type face.

Sizes listed are for standard nitrile elements, except Models 25 and 62 which have PTFE elements. Other material available on inquiry only.

Oil Seals by Shaft Size

Garlock

SHAFT	BORE	WIDTH	MODEL NO.	PART NO.	SHAFT	BORE	WIDTH	MODEL NO.	PART NO.
6.250	7.375	0.500	23	25003-3391	6.312	7.312	0.500	23	25003-8194
6.250	7.375	0.500	53	21086-3391	6.312	7.312	0.625	23	25003-7597
6.250	7.375	0.562	23	25003-1609	6.313	7.313	0.750	IG	29502-4313
6.250	7.375	0.625	23	25003-1457	6.375	7.250	0.500	23	25003-2269
6.250	7.500	0.500	23	25003-3394	6.375	7.375	0.375	23	25003-9939
6.250	7.500	0.500	53	21086-3394	6.375	7.375	0.500	23	25003-3406
6.250	7.500	0.500	62	21702-3394	6.375	7.375	0.500	53	21086-3406
6.250	7.500	0.562	23	25003-3395	6.375	7.375	0.750	IG	29502-4314
6.250	7.500	0.562	53	21086-3395	6.375	7.498	0.750	IG	29500-4542
6.250	7.500	0.625	23	25003-3396	6.375	7.498	0.750	IG	29502-4542
6.250	7.500	0.625	53	21086-3396	6.375	7.500	0.500	23	25003-3409
6.250	7.500	0.750	53	21086-3397	6.375	7.500	0.500	53	21086-3409
6.250	7.500	0.750	IG	29500-4865	6.375	7.500	0.500	94	27223-3409
6.250	7.500	1.344	53R1	22537-4991	6.375	7.500	0.625	23	25003-3419
6.250	7.625	0.500	23	25003-3398	6.375	7.500	0.969	53T2	22897-7609
6.250	7.625	0.500	53	21086-3398	6.375	7.625	0.500	23	25003-3413
6.250	7.687	0.625	23	25003-7264	6.375	7.625	0.500	53	21086-3413
6.250	7.750	0.500	23	25003-3402	6.375	7.625	0.625	23	25003-3415
6.250	7.750	0.500	53	21086-3402	6.375	7.625	0.625	53	21086-3415
6.250	7.750	0.625	23	25003-3404	6.375	7.687	0.625	23	25003-5195
6.250	7.750	0.719	53F1	22987-5212	6.375	7.750	0.472	24	25005-9933
6.250	7.750	0.750	23	25003-3405	6.375	7.750	0.500	23	25003-3417
6.250	7.750	0.750	25	25058-3405	6.375	7.750	0.500	53	21086-3417
6.250	7.750	0.750	53	21086-3405	6.375	7.750	0.625	23	25003-4694
6.250	7.750	0.750	62	21702-3405	6.375	7.875	0.500	23	25003-3421
6.250	7.750	0.750	IG	29502-3405	6.375	7.875	0.500	53	21086-3421
6.250	7.750	0.906	53R2	22627-7247	6.375	7.875	0.625	23	25003-3423
6.250	7.750	1.344	53R2	22627-7629	6.375	7.875	0.625	26	24600-3423
6.281	7.281	0.375	23	25003-6922	6.375	7.875	0.625	53	21086-3423
6.281	7.299	0.375	23	25003-9630	6.375	7.875	0.750	23	25003-3424
6.281	7.530	0.625	23	25003-5637	6.375	7.875	0.750	53	21086-3424
6.298	7.500	0.375	23	25003-1391	6.430	7.500	0.625	IG	29519-5741
6.299	7.244	0.551	23	25003-1394	6.430	7.500	0.750	IG	29502-5702
6.299	7.274	0.750	23	25003-3269	6.437	7.375	0.500	23	25003-9185
6.299	7.283	0.394	92	27063-0876	6.437	7.437	0.500	23	25003-7321
6.299	7.299	0.500	23	25003-9789	6.437	7.500	0.500	53	21086-3917
6.299	7.480	0.500	23	25003-4634	6.437	7.500	0.500	62	21702-3917
6.299	7.480	0.591	23	25003-7276	6.437	7.687	0.625	23	25003-7924
6.299	7.480	0.591	26	24600-7276	6.437	7.687	0.625	26	24600-3424
6.299	7.480	0.591	53	21086-7276	6.437	7.687	0.625	59	24700-3424
6.299	7.480	0.591	26R1	24620-7276	6.437	7.687	0.625	EQ	24802-3424
6.299	7.480	0.625	EQ	24801-3913	6.437	7.750	0.750	53	21086-3425
6.299	7.480	0.629	23	25003-3913	6.437	7.780	1.375	EQSPB	24816-7043
6.299	7.480	0.630	26	24600-3913	6.437	7.937	0.625	23	25003-9823
6.299	7.549	0.625	23	25003-6867	6.437	7.937	0.750	23	25003-9021
6.299	7.677	0.709	53	21086-8619	6.438	7.438	0.750	IG	29502-4315
6.299	7.677	0.709	26R1	24620-1035	6.438	7.500	0.500	23	25003-3917
6.299	7.874	0.472	23	25003-1717	6.438	7.500	0.625	23	25003-4595
6.299	7.874	0.551	59	24700-4038	6.438	7.687	0.750	IG	29502-5094
6.299	7.874	0.630	21	25001-4633	6.438	7.708	0.625	23	25003-4445
6.300	7.480	0.295	26	24600-3404	6.438	7.750	0.750	23	25003-3425
6.300	7.781	0.500	23	25003-5628	6.438	7.780	1.187	IGSPB	29516-7104

All dimensions are in inches. Preferred sizes are indicated with **bold** type face.

Sizes listed are for standard nitrile elements, except Models 25 and 62 which have PTFE elements. Other material available on inquiry only.

SHAFT	BORE	WIDTH	MODEL NO.	PART NO.	SHAFT	BORE	WIDTH	MODEL NO.	PART NO.
6.440	7.969	0.750	23	25003-1702	6.500	8.000	0.563	26R1	24620-3348
6.494	7.525	0.517	26	24600-1060	6.500	8.000	0.625	23	25003-3434
6.442	7.500	0.625	IG	29519-5655	6.500	8.000	0.625	53	21086-3434
6.495	7.525	0.500	23	25003-0795	6.500	8.000	0.625	26R1	24620-3434
6.496	7.480	0.512	58	21003-0584	6.500	8.000	0.625	62	21702-3434
6.496	7.874	0.591	23	25003-1970	6.500	8.000	0.750	23	25003-3435
6.498	9.125	0.750	IG	29502-5810	6.500	8.000	0.750	26	24600-3435
6.500	7.250	0.500	61	24060-1686	6.500	8.000	0.750	53	21086-3435
6.500	7.375	0.500	23	25003-3168	6.500	8.000	0.844	53F1	22987-5211
6.500	7.500	0.250	61	24060-1687	6.500	8.000	1.000	EQ	24802-1185
6.500	7.500	0.375	23	25003-1832	6.500	8.125	0.625	53	21086-6501
6.500	7.500	0.437	23	25003-9374	6.500	8.500	0.585	21	25001-5410
6.500	7.500	0.500	23	25003-4560	6.562	7.562	0.500	23	25003-6371
6.500	7.500	0.500	25	25058-4560	6.625	7.625	0.500	23	25003-6897
6.500	7.500	0.500	62	21702-4560	6.625	7.625	0.625	23	25003-3436
6.500	7.500	0.500	113	21012-4560	6.625	7.625	0.625	53	21086-3436
6.500	7.500	0.500	EQ	24801-0682	6.625	7.625	0.750	IG	29500-5522
6.500	7.500	0.562	23	25003-9780	6.625	7.718	1.116	IGSPB	29516-7127
6.500	7.500	0.562	26	24600-9780	6.625	7.718	1.250	EQSPB	24816-7054
6.500	7.500	0.562	53	21086-9780	6.625	7.725	0.305	26	24600-3438
6.500	7.500	0.625	23	25003-3426	6.625	7.750	0.625	23	25003-3438
6.500	7.500	0.625	53	21086-3426	6.625	7.750	0.625	25	25058-3438
6.500	7.500	0.625	59	24700-3426	6.625	7.750	0.625	53	21086-3438
6.500	7.500	0.625	62	21702-3426	6.625	7.750	0.625	53	21086-3438
6.500	7.500	0.625	IG	29519-3426	6.625	7.875	0.500	53	21086-5677
6.500	7.500	0.750	IG	29502-4316	6.625	7.875	0.625	23	25003-3440
6.500	7.500	0.781	53F1	22987-8149	6.625	7.875	0.625	53	21086-3440
6.500	7.500	0.844	53F1	22987-6920	6.625	7.875	0.625	62	21702-3440
6.500	7.500	0.906	53R2	22627-5531	6.625	8.000	0.500	23	25003-8567
6.500	7.500	0.906	53T2	22897-5531	6.625	8.000	0.625	23	25003-3442
6.500	7.500	1.031	53T2	22897-7174	6.625	8.000	0.625	53	21086-3442
6.500	7.500	1.218	53T2	22897-5286	6.625	8.000	0.844	53F1	22987-6051
6.500	7.625	0.625	23	25003-3428	6.625	8.125	0.500	23	25003-5139
6.500	7.625	0.625	53	21086-3428	6.625	8.125	0.500	24	25005-5139
6.500	7.687	0.625	23	25003-7771	6.625	8.125	0.625	23	25003-3444
6.500	7.750	0.500	23	25003-6817	6.625	8.125	0.625	53	21086-3444
6.500	7.750	0.500	53	21086-6817	6.625	8.125	0.687	23	25003-6172
6.500	7.750	0.625	23	25003-3430	6.625	8.125	0.750	23	25003-3445
6.500	7.750	0.625	25	25058-3430	6.625	8.125	0.750	53	21086-3445
6.500	7.750	0.625	26	24600-3430	6.625	8.125	0.969	53R2	22627-8775
6.500	7.750	0.625	53	21086-3430	6.625	8.250	0.625	53	21086-3446
6.500	7.750	0.625	EQ	24801-3430	6.625	8.250	0.750	53	21086-3447
6.500	7.750	0.750	23	25003-3431	6.625	8.375	0.500	23	25003-5691
6.500	7.874	0.472	23	25003-8171	6.625	8.375	0.625	53	21086-3448
6.500	7.874	0.472	24	25005-8171	6.625	8.390	1.375	EQSPB	24816-7039
6.500	7.875	0.625	23	25003-3432	6.625	8.500	0.625	53	21086-3450
6.500	7.875	0.625	53	21086-3432	6.625	8.750	0.500	26	24600-3135
6.500	7.875	0.750	23	25003-9217	6.625	8.750	0.625	53	21086-3454
6.500	7.937	0.625	23	25003-5792	6.625	12.500	0.625	54	21140-6023
6.500	8.000	0.500	23	25003-6370	6.670	7.750	0.500	23	25003-9958
6.500	8.000	0.500	24	25005-6370	6.679	7.405	0.250	26	24600-2940
6.500	8.000	0.500	26R1	24620-6370	6.687	7.687	0.500	23	25003-6229
					6.687	7.750	0.625	53	21086-3918

All dimensions are in inches. Preferred sizes are indicated with **bold** type face. Sizes listed are for standard nitrile elements, except Models 25 and 62 which have PTFE elements. Other material available on inquiry only.

Oil Seals by Shaft Size

Garlock

SHAFT	BORE	WIDTH	MODEL NO.	PART NO.	SHAFT	BORE	WIDTH	MODEL NO.	PART NO.
6.687	7.937	0.500	23	25003-5032	6.750	8.250	0.625	53	21086-3464
6.687	8.007	0.625	23	25003-9828	6.750	8.250	0.625	59	24700-3464
6.688	7.937	0.625	23	25003-7882	6.750	8.250	0.625	EQ	24801-3464
6.690	7.940	0.625	23	25003-6818	6.750	8.250	0.750	23	25003-3465
6.692	8.192	0.750	23	25003-8445	6.750	8.250	0.750	53	21086-3465
6.693	7.638	0.551	23	25003-1395	6.750	8.250	0.750	IG	29500-3465
6.693	7.677	0.492	23	25003-0637	6.750	8.250	0.750	IG	29502-3465
6.693	7.874	0.295	26	24600-3451	6.750	8.250	0.781	53F1	22987-7572
6.693	7.874	0.472	23	25003-2826	6.750	8.250	1.031	53R2	22627-6945
6.693	7.874	0.492	23	25003-5356	6.750	8.250	1.032	53R1	22537-6945
6.693	7.874	0.590	26R1	24620-3919	6.750	8.250	1.156	53R1	22537-9664
6.693	7.874	0.591	23	25003-7268	6.750	8.375	0.625	53	21086-3466
6.693	7.874	0.591	53	21086-7268	6.750	8.500	0.500	23	25003-3241
6.693	7.874	0.625	EQ	24802-3180	6.750	8.500	0.625	21	25001-3468
6.693	7.874	0.630	26	24600-3919	6.750	8.500	0.625	53	21086-3468
6.693	7.874	0.630	59	24700-3919	6.750	8.500	1.219	53T2	22897-9168
6.693	7.875	0.590	59	24700-7268	6.750	8.625	0.625	53	21086-3470
6.693	7.943	0.625	23	25003-8699	6.750	8.750	0.625	53	21086-3472
6.693	7.992	0.547	23	25003-5370	6.750	8.750	0.875	EQ	24802-4607
6.693	8.193	0.500	24	25005-9951	6.750	9.062	0.750	21	25001-7622
6.693	8.268	0.630	26	24600-3329	6.781	8.031	0.625	23	25003-7063
6.750	7.750	0.438	23	25003-3455	6.812	8.312	0.750	23	25003-4900
6.750	7.750	0.500	21	25001-6372	6.875	7.875	0.375	23	25003-1127
6.750	7.750	0.500	23	25003-6372	6.875	7.875	0.438	23	25003-3477
6.750	7.750	0.500	25	25058-6372	6.875	7.875	0.500	23	25003-8433
6.750	7.750	0.500	26	24600-6372	6.875	7.875	0.625	53	21086-3474
6.750	7.750	0.625	23	25003-3456	6.875	7.875	0.625	58	21003-3474
6.750	7.750	0.625	53	21086-3456	6.875	7.875	0.625	62	21702-3474
6.750	7.750	0.625	62	21702-3456	6.875	7.875	0.750	IG	29502-5565
6.750	7.750	0.750	59	24700-5287	6.875	7.875	0.969	53F1	22987-4853
6.750	7.750	0.750	IG	29502-5287	6.875	8.000	0.437	23	25003-6199
6.750	7.875	0.375	23	25003-3459	6.875	8.000	0.500	23	25003-6951
6.750	7.875	0.500	23	25003-6890	6.875	8.000	0.625	23	25003-3476
6.750	7.875	0.625	23	25003-3458	6.875	8.000	0.625	53	21086-3476
6.750	7.875	0.625	53	21086-3458	6.875	8.000	1.219	53T2	22897-7777
6.750	7.875	0.625	62	21702-3458	6.875	8.062	0.563	23	25003-3216
6.750	8.000	0.375	23	25003-2983	6.875	8.125	0.500	23	25003-7274
6.750	8.000	0.625	23	25003-3460	6.875	8.125	0.562	23	25003-8134
6.750	8.000	0.625	26	24600-3460	6.875	8.125	0.625	23	25003-3478
6.750	8.000	0.625	53	21086-3460	6.875	8.125	0.625	53	21086-3478
6.750	8.000	0.719	53F1	22987-7436	6.875	8.125	1.406	53R2	22627-8685
6.750	8.000	0.750	IG	29500-3467	6.875	8.125	1.406	53T2	22897-8685
6.750	8.000	0.750	IG	29502-3467	6.875	8.250	0.625	23	25003-3480
6.750	8.000	0.844	53F1	22987-8216	6.875	8.250	0.625	25	25058-3480
6.750	8.125	0.625	23	25003-3462	6.875	8.250	0.625	53	21086-3480
6.750	8.125	0.625	53	21086-3462	6.875	8.250	0.625	62	21702-3480
6.750	8.125	0.625	IG	29519-3462	6.875	8.250	0.750	23	25003-3481
6.750	8.125	0.750	IG	29500-3462	6.875	8.250	1.406	53T2	22897-6526
6.750	8.250	0.500	23	25003-9404	6.875	8.375	0.625	23	25003-3482
6.750	8.250	0.562	59	24700-0844	6.875	8.375	0.625	53	21086-3482
6.750	8.250	0.625	23	25003-3464	6.875	8.375	0.750	23	25003-3483
6.750	8.250	0.625	25	25058-3464	6.875	8.375	0.750	53	21086-3483

All dimensions are in inches. Preferred sizes are indicated with **bold** type face.

Sizes listed are for standard nitrile elements, except Models 25 and 62 which have PTFE elements. Other material available on inquiry only.

SHAFT	BORE	WIDTH	MODEL NO.	PART NO.	SHAFT	BORE	WIDTH	MODEL NO.	PART NO.
6.875	8.375	1.156	53R1	22537-7796	7.000	8.187	0.625	23	25003-3094
6.875	8.384	0.625	26	24600-3486	7.000	8.250	0.500	23	25003-4924
6.875	8.500	0.625	53	21086-3484	7.000	8.250	0.625	23	25003-3496
6.875	8.500	0.750	25	25058-3485	7.000	8.250	0.625	25	25058-3496
6.875	8.500	0.750	53	21086-3485	7.000	8.250	0.625	53	21086-3496
6.875	8.750	0.625	53	21086-3488	7.000	8.250	0.750	23	25003-3497
6.889	7.874	0.472	23	25003-1709	7.000	8.250	0.750	25	25058-3497
6.889	7.874	0.500	23	25003-3251	7.000	8.250	0.750	IG	29502-3497
6.889	7.874	0.591	23	25003-4624	7.000	8.375	0.500	23	25003-6163
6.889	7.889	0.500	23	25003-1869	7.000	8.375	0.625	23	25003-3498
6.889	8.465	0.629	53	21086-7495	7.000	8.375	0.625	53	21086-3498
6.890	8.071	0.591	23	25003-2457	7.000	8.375	0.688	23	25003-4774
6.890	8.465	0.625	23	25003-1388	7.000	8.375	0.750	23	25003-3499
6.906	8.156	0.625	23	25003-6597	7.000	8.375	0.750	58	21003-3499
6.937	7.937	0.500	23	25003-6373	7.000	8.375	1.375	EQSPB	24816-7015
6.937	8.000	0.625	23	25003-5731	7.000	8.383	1.062	IGSPB	29516-7075
6.937	8.062	0.500	23	25003-6258	7.000	8.406	0.588	23	25003-8434
6.937	8.125	0.625	53	21086-4477	7.000	8.450	0.562	23	25003-0983
6.937	8.125	0.750	23	25003-3490	7.000	8.500	0.500	23	25003-6375
6.937	8.375	0.625	53	21086-4478	7.000	8.500	0.500	24	25005-6375
6.937	8.437	0.500	23	25003-7378	7.000	8.500	0.500	25	25058-6375
6.937	8.500	0.625	23	25003-4479	7.000	8.500	0.625	23	25003-3500
6.937	8.500	0.625	53	21086-4479	7.000	8.500	0.625	25	25058-3500
6.937	9.000	0.500	94	27223-9047	7.000	8.500	0.625	26	24600-3500
6.938	8.000	0.625	26	24600-3511	7.000	8.500	0.625	53	21086-3500
6.938	8.125	0.625	23	25003-4477	7.000	8.500	0.625	59	24700-3500
6.938	8.375	0.625	23	25003-4478	7.000	8.500	0.750	23	25003-3501
6.938	8.383	1.249	IGSPB	29516-7107	7.000	8.500	0.750	25	25058-3501
6.938	8.383	1.312	IGSPB	29516-7109	7.000	8.500	0.750	53	21086-3501
6.950	8.125	0.750	23	25003-4730	7.000	8.500	0.750	IG	29500-3501
7.000	7.875	0.375	23	25003-1017	7.000	8.500	0.875	53R2	22627-7360
7.000	8.000	0.375	23	25003-3257	7.000	8.500	0.969	53F1	22987-6437
7.000	8.000	0.437	26	24600-3452	7.000	8.500	0.969	53R2	22627-6437
7.000	8.000	0.438	23	25003-3502	7.000	8.750	0.625	53	21086-3504
7.000	8.000	0.500	23	25003-6374	7.000	13.500	0.750	54	21140-6024
7.000	8.000	0.500	25	25058-6374	7.007	8.582	0.629	26	24600-4227
7.000	8.000	0.500	26R1	24620-6374	7.010	8.510	0.500	23	25003-2064
7.000	8.000	0.500	61	24060-6374	7.059	8.249	0.625	23	25003-3109
7.000	8.000	0.500	61	24064-6374	7.062	8.062	0.500	23	25003-7674
7.000	8.000	0.625	23	25003-3492	7.062	8.062	0.625	23	25003-9262
7.000	8.000	0.625	26	24600-3492	7.062	8.562	0.500	23	25003-9244
7.000	8.000	0.625	53	21086-3492	7.062	8.562	0.500	24	25005-9244
7.000	8.000	0.625	59	24700-3492	7.062	8.562	0.750	23	25003-9805
7.000	8.000	0.625	62	21702-3492	7.078	8.562	0.500	23	25003-5629
7.000	8.000	0.750	IG	29502-3453	7.078	8.578	0.625	23	25003-6841
7.000	8.000	0.844	53F1	22987-6433	7.086	8.086	0.500	23	25003-4826
7.000	8.000	0.844	53R1	22537-6433	7.086	8.267	0.492	23	25003-5336
7.000	8.125	0.625	23	25003-3494	7.086	8.267	0.590	26R1	24620-3920
7.000	8.125	0.625	26	24600-3494	7.086	8.267	0.591	23	25003-7807
7.000	8.125	0.625	53	21086-3494	7.086	8.385	0.547	23	25003-5371
7.000	8.125	0.750	23	25003-3495	7.086	8.500	0.625	23	25003-4449
7.000	8.125	0.750	53	21086-3495	7.086	8.586	0.750	23	25003-9858

All dimensions are in inches. Preferred sizes are indicated with **bold** type face. Sizes listed are for standard nitrile elements, except Models 25 and 62 which have PTFE elements. Other material available on inquiry only.

Oil Seals by Shaft Size

Garlock

SHAFT	BORE	WIDTH	MODEL NO.	PART NO.	SHAFT	BORE	WIDTH	MODEL NO.	PART NO.
7.087	7.874	0.591	26	24600-5919	7.188	8.640	0.625	26	24600-5273
7.087	7.961	0.472	23	25003-1433	7.207	8.225	0.500	23	25003-9956
7.087	8.071	0.512	23	25003-1616	7.250	7.625	0.625	IG	29507-5724
7.087	8.071	0.625	IG	29519-5783	7.250	8.000	0.312	71	26001-9565
7.087	8.267	0.591	53	21086-7807	7.250	8.250	0.375	23	25003-6861
7.087	8.268	0.472	23	25003-2828	7.250	8.250	0.437	23	25003-6175
7.087	8.268	0.591	61	24060-7807	7.250	8.250	0.438	26	24600-6175
7.087	8.268	0.591	61	24064-7807	7.250	8.250	0.500	23	25003-6376
7.087	8.268	0.630	23	25003-3920	7.250	8.250	0.500	25	25058-6376
7.087	8.268	0.630	26	24600-3920	7.250	8.250	0.625	23	25003-3518
7.087	8.465	0.625	EQ	24802-5625	7.250	8.250	0.625	53	21086-3518
7.087	8.661	0.625	23	25003-9994	7.250	8.250	0.625	26R1	24620-3518
7.090	8.334	0.500	23	25003-0856	7.250	8.250	0.625	62	21702-3518
7.125	8.000	0.375	61	24060-1724	7.250	8.250	0.625	EQ	24801-3518
7.125	8.125	0.500	23	25003-4561	7.250	8.250	0.750	53	21086-3519
7.125	8.125	0.500	53	21086-4561	7.250	8.250	1.156	53R1	22537-9087
7.125	8.125	0.500	113	21012-4561	7.250	8.250	1.219	53T2	22897-7920
7.125	8.125	0.625	23	25003-3506	7.250	8.250	1.344	53R2	22627-5500
7.125	8.125	0.625	53	21086-3506	7.250	8.375	0.625	53	21086-3520
7.125	8.250	0.469	23	25003-6402	7.250	8.375	1.125	53R2	22627-7707
7.125	8.250	0.500	23	25003-7740	7.250	8.437	0.590	23	25003-6556
7.125	8.250	0.625	23	25003-3508	7.250	8.500	0.500	23	25003-6377
7.125	8.250	0.625	53	21086-3508	7.250	8.500	0.500	25	25058-6377
7.125	8.250	0.969	53T2	22897-6691	7.250	8.500	0.500	61	24060-6377
7.125	8.375	0.500	61	24060-2404	7.250	8.500	0.625	23	25003-3522
7.125	8.375	0.625	23	25003-3510	7.250	8.500	0.625	25	25058-3522
7.125	8.375	0.625	53	21086-3510	7.250	8.500	0.625	26	24600-3522
7.125	8.500	0.500	61	24060-1731	7.250	8.500	0.625	53	21086-3522
7.125	8.500	0.625	23	25003-3512	7.250	8.500	0.625	62	21702-3522
7.125	8.500	0.625	26	24600-3512	7.250	8.500	0.625	87	26080-3522
7.125	8.500	0.625	53	21086-3512	7.250	8.500	0.625	88	26088-3522
7.125	8.500	0.625	59	24700-3512	7.250	8.500	0.625	88NS	26188-3522
7.125	8.500	1.094	53R2	22627-8667	7.250	8.500	0.750	21	25001-3523
7.125	8.625	0.437	23	25003-1464	7.250	8.500	0.750	23	25003-3523
7.125	8.625	0.500	24	25005-8173	7.250	8.500	0.750	53	21086-3523
7.125	8.625	0.625	53	21086-3514	7.250	8.500	1.094	53R2	22627-8546
7.125	8.625	0.750	23	25003-3515	7.250	8.625	0.625	23	25003-3524
7.125	8.625	0.750	25	25058-3515	7.250	8.625	0.625	53	21086-3524
7.125	8.625	0.750	53	21086-3515	7.250	8.625	0.750	23	25003-3525
7.125	8.625	0.750	26R1	24620-3515	7.250	8.702	0.609	23	25003-1868
7.125	8.625	0.750	58	21003-3515	7.250	8.750	0.500	23	25003-6251
7.125	8.625	1.094	53R1	22537-6089	7.250	8.750	0.625	23	25003-3526
7.125	8.750	0.625	53	21086-3516	7.250	8.750	0.625	53	21086-3526
7.125	8.750	0.750	25	25058-3526	7.250	8.750	0.625	EQ	24802-1239
7.187	8.187	0.500	23	25003-7812	7.250	8.750	0.750	23	25003-3527
7.187	8.437	0.500	23	25003-1734	7.250	8.750	0.750	53	21086-3527
7.187	8.562	0.625	23	25003-4886	7.250	8.750	0.750	59	24700-3527
7.187	8.639	0.625	23	25003-8580	7.250	8.750	0.875	58	21003-2692
7.187	8.686	0.625	23	25003-7811	7.250	9.000	0.500	61	24060-1739
7.188	8.437	0.625	23	25003-3521	7.256	8.756	0.500	23	25003-2065
7.188	8.438	0.500	61	24060-1734	7.283	8.268	0.500	23	25003-0801
7.188	8.570	0.980	EQSPB	24816-7132	7.283	8.283	0.500	23	25003-2081

All dimensions are in inches. Preferred sizes are indicated with **bold** type face.

Sizes listed are for standard nitrile elements, except Models 25 and 62 which have PTFE elements. Other material available on inquiry only.

SHAFT	BORE	WIDTH	MODEL NO.	PART NO.	SHAFT	BORE	WIDTH	MODEL NO.	PART NO.
7.283	8.464	0.590	23	25003-2643	7.480	8.661	0.591	59	24700-2043
7.283	8.850	0.625	59	24700-0001	7.480	8.661	0.591	61	24060-8049
7.312	8.375	0.625	53	21086-4492	7.480	8.661	0.630	23	25003-1379
7.312	8.375	0.625	62	21702-4492	7.480	8.661	0.750	IG	29500-4756
7.312	8.437	0.562	53	21086-6888	7.480	8.677	0.500	23	25003-2866
7.313	8.438	0.563	26	24600-1714	7.480	8.729	0.625	23	25003-1690
7.375	8.250	0.438	23	25003-0953	7.480	8.858	0.629	23	25003-3911
7.375	8.375	0.437	23	25003-6182	7.480	8.858	0.630	26R1	24620-1036
7.375	8.375	0.437	26	24600-6182	7.480	8.980	0.750	23	25003-1316
7.375	8.375	0.500	23	25003-4921	7.480	9.055	0.630	23	25003-1214
7.375	8.375	0.500	25	25058-4921	7.480	9.250	0.630	26	24600-3758
7.375	8.375	0.625	23	25003-3528	7.500	8.375	0.500	23	25003-8252
7.375	8.375	0.625	53	21086-3528	7.500	8.464	0.625	53	21086-5115
7.375	8.375	0.637	88	26088-9126	7.500	8.500	0.500	21	25001-6378
7.375	8.375	0.637	88NS	26188-9126	7.500	8.500	0.500	23	25003-6378
7.375	8.375	0.750	53	21086-3529	7.500	8.500	0.500	61	24060-6378
7.375	8.500	0.500	23	25003-1308	7.500	8.500	0.625	23	25003-3544
7.375	8.500	0.625	23	25003-3530	7.500	8.500	0.625	26	24600-3544
7.375	8.500	0.625	53	21086-3530	7.500	8.500	0.625	53	21086-3544
7.375	8.625	0.625	23	25003-3532	7.500	8.500	0.625	59	24700-3544
7.375	8.625	0.625	53	21086-3532	7.500	8.500	0.625	62	21702-3544
7.375	8.625	0.750	23	25003-3533	7.500	8.500	0.750	142	21432-3545
7.375	8.625	0.750	IG	29502-5746	7.500	8.500	1.094	53R1	22537-8384
7.375	8.750	0.625	53	21086-3534	7.500	8.625	0.625	23	25003-3546
7.375	8.875	0.625	23	25003-3536	7.500	8.625	0.625	53	21086-3546
7.375	8.875	0.625	53	21086-3536	7.500	8.750	0.500	23	25003-7180
7.375	8.875	0.625	62	21702-3536	7.500	8.750	0.625	23	25003-3548
7.375	8.875	0.750	23	25003-3537	7.500	8.750	0.625	53	21086-3548
7.375	9.000	0.625	23	25003-3538	7.500	8.750	0.625	59	24700-3548
7.375	9.000	0.625	53	21086-3538	7.500	8.875	0.500	23	25003-4889
7.375	9.125	0.625	53	21086-3540	7.500	8.875	0.625	53	21086-3550
7.375	9.250	0.625	53	21086-3542	7.500	9.000	0.500	23	25003-6773
7.402	8.583	0.591	26	24600-2145	7.500	9.000	0.500	24	25005-6773
7.437	8.437	0.500	23	25003-7847	7.500	9.000	0.625	23	25003-3552
7.437	8.500	0.625	23	25003-7443	7.500	9.000	0.625	25	25058-3552
7.437	8.687	0.625	23	25003-9846	7.500	9.000	0.625	26	24600-3552
7.437	8.937	0.750	23	25003-9792	7.500	9.000	0.625	53	21086-3552
7.437	8.945	1.115	IGSPB	29516-7146	7.500	9.000	0.625	59	24700-3552
7.437	8.945	1.375	EQSPB	24816-7111	7.500	9.000	0.625	62	21702-3552
7.437	8.945	1.540	EQSPB	24816-7120	7.500	9.000	0.625	EQ	24802-3552
7.438	8.500	0.500	23	25003-1965	7.500	9.000	0.625	IG	29519-3552
7.440	8.858	0.629	26R1	24620-3923	7.500	9.000	0.718	53F1	22987-9584
7.441	9.875	0.512	26	24600-1716	7.500	9.000	0.750	23	25003-3553
7.468	8.468	0.688	59	24700-5324	7.500	9.000	0.750	26	24600-3553
7.480	8.425	0.472	23	25003-1290	7.500	9.000	0.750	53	21086-3553
7.480	8.464	0.629	26	24600-4997	7.500	9.000	0.750	IG	29500-3553
7.480	8.465	0.500	23	25003-2581	7.500	9.000	0.750	IG	29502-3553
7.480	8.480	0.500	23	25003-2679	7.500	9.000	0.844	53F1	22987-7233
7.480	8.661	0.472	23	25003-0504	7.500	9.000	1.343	53R1	22537-6564
7.480	8.661	0.492	23	25003-5333	7.500	9.125	0.625	23	25003-3554
7.480	8.661	0.591	23	25003-8049	7.500	9.125	0.625	53	21086-3554
7.480	8.661	0.591	53	21086-8049	7.500	9.125	0.750	21	25001-3555

All dimensions are in inches. Preferred sizes are indicated with **bold** type face. Sizes listed are for standard nitrile elements, except Models 25 and 62 which have PTFE elements. Other material available on inquiry only.

Oil Seals by Shaft Size

Garlock

SHAFT	BORE	WIDTH	MODEL NO.	PART NO.	SHAFT	BORE	WIDTH	MODEL NO.	PART NO.
7.500	9.125	0.750	53	21086-3555	7.750	8.938	0.625	23	25003-7744
7.500	9.250	0.625	53	21086-3556	7.750	9.000	0.500	23	25003-6759
7.500	9.250	0.750	21	25001-3557	7.750	9.000	0.625	23	25003-3574
7.500	9.250	0.937	53F1	22987-5234	7.750	9.000	0.625	53	21086-3574
7.500	9.250	1.218	53R2	22627-6596	7.750	9.000	0.750	23	25003-2391
7.500	9.250	1.344	53R2	22627-4942	7.750	9.125	0.625	23	25003-3576
7.519	9.019	0.750	23	25003-9065	7.750	9.125	0.625	53	21086-3576
7.530	8.780	0.625	23	25003-5638	7.750	9.250	0.500	24	25005-9798
7.562	9.062	0.750	23	25003-5241	7.750	9.250	0.625	23	25003-3578
7.562	9.065	0.750	23	25003-5578	7.750	9.250	0.625	25	25058-3578
7.600	8.894	0.750	23	25003-2688	7.750	9.250	0.625	26	24600-3578
7.620	9.120	0.750	23	25003-9895	7.750	9.250	0.625	53	21086-3578
7.625	8.500	0.500	23	25003-2106	7.750	9.250	0.625	59	24700-3578
7.625	8.625	0.500	23	25003-7367	7.750	9.250	0.625	62	21702-3578
7.625	8.625	0.625	23	25003-3558	7.750	9.250	0.750	23	25003-3579
7.625	8.625	0.625	53	21086-3558	7.750	9.250	0.750	53	21086-3579
7.625	8.625	0.625	62	21702-3558	7.750	9.250	0.844	53F1	22987-7241
7.625	8.750	0.625	53	21086-3560	7.750	9.250	0.875	53R2	22627-7358
7.625	8.750	0.625	59	24700-2992	7.750	9.250	0.969	53T2	22897-4876
7.625	8.875	0.625	23	25003-3562	7.750	10.250	0.500	26	24600-3136
7.625	8.875	0.625	53	21086-3562	7.760	8.875	0.500	23	25003-4833
7.625	9.000	0.625	23	25003-3564	7.800	8.800	0.500	23	25003-1152
7.625	9.000	0.625	53	21086-3564	7.812	8.812	0.438	23	25003-3581
7.625	9.000	0.750	53	21086-3565	7.812	8.812	0.500	23	25003-8578
7.625	9.125	0.500	24	25005-5630	7.812	9.000	0.625	23	25003-1288
7.625	9.125	0.625	23	25003-3566	7.812	9.062	0.625	23	25003-9861
7.625	9.125	0.625	25	25058-3566	7.812	9.250	0.500	23	25003-2156
7.625	9.125	0.625	26	24600-3566	7.812	9.312	0.750	23	25003-6016
7.625	9.125	0.625	53	21086-3566	7.854	8.854	0.500	23	25003-4990
7.625	9.125	0.625	87	26080-3566	7.874	8.816	0.500	23	25003-4860
7.625	9.125	0.750	23	25003-3567	7.874	8.858	0.591	23	25003-1949
7.625	9.125	0.750	53	21086-3567	7.874	8.874	0.750	IG	29500-5158
7.625	9.188	0.625	23	25003-2614	7.874	9.055	0.492	23	25003-5337
7.625	9.250	0.625	53	21086-3568	7.874	9.055	0.500	53	21086-4834
7.667	9.055	0.591	23	25003-7320	7.874	9.055	0.551	23	25003-3914
7.677	9.055	0.591	59	24700-2183	7.874	9.055	0.551	26	24600-3914
7.687	9.187	0.750	23	25003-9340	7.874	9.055	0.551	26R1	24620-3914
7.716	8.661	0.472	23	25003-0980	7.874	9.055	0.590	26R1	24620-7388
7.725	9.375	0.750	21	25001-7912	7.874	9.055	0.591	23	25003-7388
7.750	8.750	0.437	23	25003-6185	7.874	9.055	0.591	53	21086-7388
7.750	8.750	0.437	26	24600-6185	7.874	9.055	0.591	58	21003-7388
7.750	8.750	0.438	88	26088-6185	7.874	9.055	0.591	59	24700-7388
7.750	8.750	0.438	88NS	26188-6185	7.874	9.055	0.591	61	24060-7388
7.750	8.750	0.500	23	25003-6379	7.874	9.055	0.591	61	24064-7388
7.750	8.750	0.625	23	25003-3570	7.874	9.055	0.630	59	24700-5317
7.750	8.750	0.625	53	21086-3570	7.874	9.252	0.625	26	24600-3908
7.750	8.750	0.625	59	24700-1895	7.874	9.374	0.752	23	25003-2500
7.750	8.750	1.094	53R2	22627-8686	7.874	9.448	0.618	23	25003-5372
7.750	8.750	1.156	53R2	22627-6954	7.874	9.448	0.629	23	25003-8420
7.750	8.812	0.500	23	25003-3217	7.874	9.448	0.787	26R1	24620-3916
7.750	8.875	0.625	53	21086-3572	7.874	9.449	0.787	26	24600-3916
7.750	8.875	0.750	23	25003-3573	7.874	9.875	0.625	21	25001-6973

All dimensions are in inches. Preferred sizes are indicated with **bold** type face.

Sizes listed are for standard nitrile elements, except Models 25 and 62 which have PTFE elements. Other material available on inquiry only.

Garlock

Oil Seals by Shaft Size

SHAFT	BORE	WIDTH	MODEL NO.	PART NO.	SHAFT	BORE	WIDTH	MODEL NO.	PART NO.
7.874	9.875	0.625	23	25003-6973	7.985	9.000	0.375	23	25003-3966
7.875	8.875	0.375	23	25003-5605	8.000	8.875	0.437	23	25003-9578
7.875	8.875	0.500	23	25003-6492	8.000	8.875	0.437	26	24600-1775
7.875	8.875	0.625	23	25003-3580	8.000	8.875	0.437	76	26193-9578
7.875	8.875	0.625	53	21086-3580	8.000	9.000	0.437	23	25003-4822
7.875	8.875	0.625	66	21527-3580	8.000	9.000	0.500	23	25003-6380
7.875	8.937	0.500	23	25003-5789	8.000	9.000	0.500	24	25005-6380
7.875	9.000	0.438	26	24600-3811	8.000	9.000	0.500	25	25058-6380
7.875	9.000	0.500	23	25003-6844	8.000	9.000	0.625	23	25003-3592
7.875	9.000	0.625	53	21086-3582	8.000	9.000	0.625	26	24600-3592
7.875	9.000	0.625	66	21527-3582	8.000	9.000	0.625	53	21086-3592
7.875	9.056	0.375	23	25003-6000	8.000	9.000	0.625	62	21702-3592
7.875	9.125	0.375	23	25003-7108	8.000	9.000	0.750	53	21086-3593
7.875	9.125	0.500	23	25003-6647	8.000	9.000	0.969	53R2	22627-9165
7.875	9.125	0.625	23	25003-3584	8.000	9.000	1.156	53R1	22537-8751
7.875	9.125	0.625	25	25058-3584	8.000	9.000	1.344	53R2	22627-5651
7.875	9.125	0.625	53	21086-3584	8.000	9.125	0.500	23	25003-7577
7.875	9.125	0.625	66	21527-3584	8.000	9.125	0.625	23	25003-3594
7.875	9.250	0.625	23	25003-3586	8.000	9.125	0.625	26	24600-3594
7.875	9.250	0.625	53	21086-3586	8.000	9.125	0.625	53	21086-3594
7.875	9.250	0.625	66	21527-3586	8.000	9.125	0.750	23	25003-3595
7.875	9.250	0.750	23	25003-3587	8.000	9.250	0.437	23	25003-3199
7.875	9.281	0.750	23	25003-6926	8.000	9.250	0.500	23	25003-6510
7.875	9.375	0.500	24	25005-9934	8.000	9.250	0.625	23	25003-3596
7.875	9.375	0.625	23	25003-3588	8.000	9.250	0.625	25	25058-3596
7.875	9.375	0.625	53	21086-3588	8.000	9.250	0.625	53	21086-3596
7.875	9.375	0.625	59	24700-3588	8.000	9.250	0.625	59	24700-3596
7.875	9.375	0.625	66	21527-3588	8.000	9.250	0.625	61	24060-3596
7.875	9.375	0.625	EQ	24801-3588	8.000	9.250	0.625	EQ	24801-3596
7.875	9.375	0.687	64	21238-9176	8.000	9.250	0.750	23	25003-3597
7.875	9.375	0.750	23	25003-3589	8.000	9.250	0.750	53	21086-3597
7.875	9.375	0.750	26	24600-3589	8.000	9.250	0.750	IG	29502-9354
7.875	9.375	0.750	53	21086-3589	8.000	9.250	0.844	53F1	22987-6661
7.875	9.375	0.750	IG	29500-3589	8.000	9.250	1.000	53R2	22627-5883
7.875	9.375	0.969	53R2	22627-5932	8.000	9.250	1.000	53T2	22897-5883
7.875	9.375	0.969	53T2	22897-5932	8.000	9.375	0.625	23	25003-3598
7.875	9.375	1.141	53T2	22897-9472	8.000	9.375	0.625	26	24600-3598
7.875	9.500	0.625	23	25003-1107	8.000	9.375	0.625	53	21086-3598
7.875	9.500	0.750	21	25001-9835	8.000	9.375	0.625	62	21702-3598
7.937	8.937	0.500	23	25003-7661	8.000	9.438	0.500	23	25003-9184
7.937	8.937	0.750	142	21432-4463	8.000	9.450	0.625	23	25003-1770
7.937	9.000	0.500	23	25003-1061	8.000	9.500	0.500	23	25003-7758
7.937	9.125	0.625	23	25003-3590	8.000	9.500	0.500	24	25005-7758
7.937	9.125	0.625	53	21086-3590	8.000	9.500	0.625	23	25003-3600
7.937	9.187	0.625	23	25003-9955	8.000	9.500	0.625	53	21086-3600
7.937	9.250	0.625	23	25003-2575	8.000	9.500	0.625	62	21702-3600
7.937	9.437	0.750	23	25003-7133	8.000	9.500	0.687	23	25003-3921
7.937	10.125	0.500	94	27223-9307	8.000	9.500	0.687	59	24700-3768
7.938	8.875	0.500	23	25003-4763	8.000	9.500	0.687	62	21702-3921
7.938	9.125	0.969	53F1	22987-4978	8.000	9.500	0.687	64	21238-3921
7.960	9.460	0.625	23	25003-5685	8.000	9.500	0.750	23	25003-3601
7.971	9.000	0.375	23	25003-3930	8.000	9.500	0.750	53	21086-3601

All dimensions are in inches. Preferred sizes are indicated with **bold** type face.

Sizes listed are for standard nitrile elements, except Models 25 and 62 which have PTFE elements. Other material available on inquiry only.

Oil Seals by Shaft Size

Garlock

SHAFT	BORE	WIDTH	MODEL NO.	PART NO.	SHAFT	BORE	WIDTH	MODEL NO.	PART NO.
8.000	9.500	0.750	62	21702-3601	8.250	9.250	0.625	26	24600-3817
8.000	9.500	0.750	IG	29502-3601	8.250	9.250	0.625	53	21086-3604
8.000	9.500	0.969	53F1	22987-5260	8.250	9.250	0.625	59	24700-3817
8.000	9.500	0.969	53R1	22537-5260	8.250	9.250	0.625	62	21702-3604
8.000	9.500	1.094	53R1	22537-9485	8.250	9.250	0.750	142	21432-4483
8.000	9.592	0.609	23	25003-9520	8.250	9.312	0.437	23	25003-2970
8.000	9.625	0.750	53	21086-6381	8.250	9.375	0.500	23	25003-4760
8.000	9.750	0.750	53	21086-3922	8.250	9.375	0.625	53	21086-3605
8.000	9.750	1.406	53T2	22897-7370	8.250	9.500	0.500	23	25003-8451
8.000	9.875	0.812	21	25001-9418	8.250	9.500	0.625	21	25001-3606
8.000	9.910	0.750	21	25001-9756	8.250	9.500	0.625	23	25003-3606
8.000	10.000	0.625	59	24700-0002	8.250	9.500	0.625	26	24600-3606
8.000	10.000	0.625	62	21702-3003	8.250	9.500	0.625	53	21086-3606
8.000	10.000	0.687	53	21086-3924	8.250	9.500	0.625	59	24700-3606
8.000	10.000	0.750	21	25001-3925	8.250	9.500	0.750	23	25003-3818
8.000	10.000	0.750	53	21086-3925	8.250	9.500	0.750	87	26080-3818
8.000	10.000	0.812	21	25001-3926	8.250	9.500	0.844	53F1	22987-8729
8.000	10.000	1.000	53	21086-3602	8.250	9.500	1.125	53T2	22897-4545
8.000	10.000	1.375	53R2	22627-9970	8.250	9.688	0.750	23	25003-2647
8.000	14.750	0.625	54	21140-9750	8.250	9.750	0.500	23	25003-6247
8.062	9.000	0.500	23	25003-1295	8.250	9.750	0.500	24	25005-6247
8.062	9.062	0.463	23	25003-8805	8.250	9.750	0.625	23	25003-6684
8.062	9.312	0.500	23	25003-4810	8.250	9.750	0.750	23	25003-7157
8.062	9.312	0.625	23	25003-9874	8.250	10.000	0.750	59	24700-3819
8.062	9.562	0.500	26	24600-5192	8.250	10.250	0.625	59	24700-0005
8.062	9.562	0.750	23	25003-5009	8.250	10.250	0.750	21	25001-8967
8.062	10.000	1.000	62	21702-3927	8.250	10.250	0.750	26	24600-1068
8.063	10.062	1.000	59	24700-0003	8.250	10.250	0.750	59	24700-1068
8.070	9.258	0.591	26	24600-4611	8.250	10.250	0.812	64	21238-4499
8.125	9.125	0.437	23	25003-5384	8.250	10.250	1.000	53	21086-3607
8.125	9.125	0.500	23	25003-8175	8.250	10.250	1.218	53T2	22897-5179
8.125	9.187	0.500	23	25003-7869	8.250	10.250	1.875	53T2	22897-4681
8.125	9.250	0.625	23	25003-3298	8.250	10.260	0.687	87	26080-2268
8.125	9.625	0.500	24	25005-7861	8.250	10.500	0.875	59	24700-0006
8.125	9.625	0.750	23	25003-3928	8.250	11.500	0.750	59	24700-0007
8.125	9.625	0.750	53	21086-3928	8.260	9.142	0.375	23	25003-8265
8.125	10.000	1.000	53	21086-3603	8.267	9.448	0.590	23	25003-5338
8.125	10.125	0.625	59	24700-0004	8.267	9.448	0.590	26	24600-5338
8.125	10.125	0.687	64	21238-9712	8.267	9.448	0.590	26R1	24620-5338
8.125	10.125	0.750	21	25001-3932	8.267	9.842	0.551	53	21086-7887
8.125	10.125	0.750	53	21086-3932	8.267	9.842	0.618	21	25001-5373
8.125	10.125	0.750	62	21702-3932	8.267	9.842	0.630	21	25001-9521
8.125	10.125	1.281	53T2	22897-7786	8.268	9.449	0.472	23	25003-2833
8.125	10.135	0.750	59	24700-3816	8.268	9.803	0.866	26	24600-5231
8.187	9.187	0.500	23	25003-8418	8.312	9.562	0.625	23	25003-9889
8.187	9.312	0.500	23	25003-8234	8.313	9.313	0.500	23	25003-5161
8.187	9.687	0.500	23	25003-9473	8.375	9.375	0.500	23	25003-9548
8.189	9.370	0.591	26	24600-2147	8.375	9.500	0.625	23	25003-7344
8.214	9.464	0.500	23	25003-2598	8.375	9.500	0.750	23	25003-1721
8.250	9.250	0.437	23	25003-6204	8.375	9.625	0.500	23	25003-8776
8.250	9.250	0.500	23	25003-6382	8.375	9.625	0.625	23	25003-4893
8.250	9.250	0.625	23	25003-3604	8.375	9.750	0.625	23	25003-3007

All dimensions are in inches. Preferred sizes are indicated with **bold** type face.

Sizes listed are for standard nitrile elements, except Models 25 and 62 which have PTFE elements. Other material available on inquiry only.

SHAFT	BORE	WIDTH	MODEL NO.	PART NO.	SHAFT	BORE	WIDTH	MODEL NO.	PART NO.
8.375	9.750	0.625	59	24700-0008	8.500	9.500	0.500	23	25003-6383
8.375	9.750	0.750	23	25003-3608	8.500	9.500	0.500	61	24064-6383
8.375	9.750	0.750	53	21086-3608	8.500	9.500	0.500	88	26088-6383
8.375	9.750	0.750	59	24700-3631	8.500	9.500	0.500	88NS	26188-6383
8.375	9.750	0.750	62	21702-3608	8.500	9.500	0.625	23	25003-3935
8.375	9.750	1.156	53R1	22537-9618	8.500	9.500	0.625	26	24600-3935
8.375	9.875	0.375	23	25003-2727	8.500	9.500	0.625	53	21086-3935
8.375	9.875	0.500	23	25003-8452	8.500	9.500	0.625	59	24700-3935
8.375	9.875	0.500	24	25005-8452	8.500	9.500	0.625	62	21702-3935
8.375	9.875	0.625	23	25003-4799	8.500	9.500	0.969	53R2	22627-6969
8.375	9.875	0.625	25	25058-4799	8.500	9.500	0.969	53T2	22897-6969
8.375	9.875	0.625	59	24700-0009	8.500	9.500	1.094	53R1	22537-9299
8.375	9.875	0.687	23	25003-3933	8.500	9.500	1.312	53R1	22537-6140
8.375	9.875	0.687	53	21086-3933	8.500	9.750	0.500	23	25003-4922
8.375	9.875	0.687	64	21238-3933	8.500	9.750	0.562	64	21238-1705
8.375	9.875	0.688	26	24600-3933	8.500	9.750	0.625	21	25001-6384
8.375	9.875	0.750	23	25003-3934	8.500	9.750	0.625	23	25003-6384
8.375	9.875	0.750	53	21086-3934	8.500	9.750	0.625	26	24600-6384
8.375	9.875	0.750	88	26088-3934	8.500	9.750	0.652	64	21238-6384
8.375	9.875	0.750	88NS	26188-3934	8.500	9.750	0.750	23	25003-9207
8.375	9.875	1.156	53R2	22627-5918	8.500	9.750	0.750	25	25058-9207
8.375	10.000	0.500	24	25005-9935	8.500	9.750	0.750	26	24600-1913
8.375	10.375	0.750	21	25001-9267	8.500	9.875	0.750	23	25003-8709
8.375	10.375	0.750	23	25003-9267	8.500	10.000	0.500	23	25003-8665
8.375	10.375	0.750	59	24700-0010	8.500	10.000	0.500	24	25005-8665
8.375	10.375	0.812	64	21238-4500	8.500	10.000	0.625	23	25003-4502
8.375	10.375	1.000	53	21086-3609	8.500	10.000	0.625	25	25058-4502
8.375	10.375	1.250	53F1	22987-4782	8.500	10.000	0.625	53	21086-4502
8.375	10.500	0.875	59	24700-0011	8.500	10.000	0.625	59	24700-0012
8.376	9.565	0.750	23	25003-1699	8.500	10.000	0.625	62	21702-4502
8.394	9.394	0.500	23	25003-5308	8.500	10.000	0.687	64	21238-8453
8.406	9.406	0.500	23	25003-5163	8.500	10.000	0.750	21	25001-3937
8.437	9.687	0.625	23	25003-7834	8.500	10.000	0.750	23	25003-3937
8.437	9.937	0.500	23	25003-1463	8.500	10.000	0.750	26	24600-3937
8.437	9.937	0.750	23	25003-1592	8.500	10.000	0.750	53	21086-3937
8.437	10.000	0.625	53	21086-4501	8.500	10.000	0.750	61	24063-3937
8.437	10.000	1.000	53R2	22627-9532	8.500	10.000	0.750	62	21702-3937
8.438	9.563	0.500	23	25003-0999	8.500	10.000	1.000	53F1	22987-6760
8.438	10.000	0.625	59	24700-4501	8.500	10.000	1.000	53R1	22537-6760
8.464	9.339	0.437	23	25003-3112	8.500	10.000	1.250	53F1	22987-5681
8.464	9.448	0.500	23	25003-5402	8.500	10.062	0.750	23	25003-3117
8.464	9.645	0.590	23	25003-5358	8.500	10.250	0.750	23	25003-4727
8.464	9.646	0.492	23	25003-1953	8.500	10.375	0.625	23	25003-8223
8.465	9.764	0.590	23	25003-0961	8.500	10.410	0.812	23	25003-9718
8.465	9.845	0.645	23	25003-0746	8.500	10.500	0.500	21	25001-8560
8.469	9.968	0.500	23	25003-8623	8.500	10.500	0.500	23	25003-8560
8.469	9.968	0.500	24	25005-8623	8.500	10.500	0.625	23	25003-5916
8.469	9.968	0.750	23	25003-8189	8.500	10.500	0.625	25	25058-5916
8.470	9.500	0.500	23	25003-5461	8.500	10.500	0.625	59	24700-0013
8.471	9.850	0.630	23	25003-2976	8.500	10.500	0.750	21	25001-7101
8.500	9.375	0.500	23	25003-8583	8.500	10.500	0.750	23	25003-7101
8.500	9.500	0.500	21	25001-6383	8.500	10.500	0.750	26	24600-7101

All dimensions are in inches. Preferred sizes are indicated with **bold** type face. Sizes listed are for standard nitrile elements, except Models 25 and 62 which have PTFE elements. Other material available on inquiry only.

Oil Seals by Shaft Size

Garlock

SHAFT	BORE	WIDTH	MODEL NO.	PART NO.	SHAFT	BORE	WIDTH	MODEL NO.	PART NO.
8.500	10.500	0.750	53	21086-7101	8.661	9.842	0.594	59	24700-5357
8.500	10.500	0.812	23	25003-3938	8.661	9.842	0.630	23	25003-3942
8.500	10.500	0.812	62	21702-3938	8.661	9.843	0.472	23	25003-2829
8.500	10.500	0.812	64	21238-3938	8.661	9.843	0.591	62	21702-5357
8.500	10.500	1.000	53	21086-3610	8.661	9.843	0.630	26	24600-3942
8.500	10.500	1.000	62	21702-3610	8.661	9.911	0.500	23	25003-9242
8.500	10.500	1.250	53R2	22627-9414	8.661	9.911	0.625	23	25003-9243
8.500	10.500	1.312	53R1	22537-6770	8.661	9.912	0.625	IG	29519-5750
8.500	10.625	0.750	53	21086-4587	8.661	10.228	0.625	59	24700-0020
8.530	9.780	0.625	23	25003-5684	8.661	10.236	0.511	53	21086-7840
8.540	9.750	0.625	58	21003-2490	8.661	10.236	0.591	23	25003-0891
8.560	9.810	0.625	23	25003-0570	8.661	10.236	0.625	59	24700-0019
8.562	9.500	0.500	23	25003-1090	8.661	10.236	0.630	21	25001-8606
8.562	10.062	0.750	23	25003-9022	8.661	10.236	0.630	23	25003-8606
8.611	10.236	0.750	23	25003-0957	8.661	10.236	0.787	23	25003-1392
8.625	9.625	0.500	26	24600-3825	8.661	10.236	0.866	26	24600-3944
8.625	9.812	0.625	23	25003-1095	8.661	10.236	0.866	26R1	24620-3944
8.625	9.875	0.500	23	25003-9210	8.661	10.819	0.950	59	24700-0021
8.625	9.875	0.625	23	25003-6570	8.687	9.937	0.625	23	25003-7804
8.625	9.875	0.625	26	24600-6570	8.687	9.938	0.750	23	25003-6210
8.625	10.000	0.750	59	24700-0014	8.688	9.687	0.500	23	25003-9146
8.625	10.125	0.609	23	25003-4444	8.688	9.938	0.500	23	25003-4413
8.625	10.125	0.625	59	24700-0015	8.688	10.625	0.750	23	25003-4518
8.625	10.125	0.687	53	21086-3939	8.750	9.750	0.500	23	25003-6827
8.625	10.125	0.687	64	21238-3939	8.750	9.750	0.562	26	24600-3829
8.625	10.125	0.750	23	25003-3940	8.750	9.764	0.375	23	25003-1694
8.625	10.125	0.750	53	21086-3940	8.750	9.875	0.625	23	25003-5890
8.625	10.250	0.625	59	24700-0016	8.750	9.875	0.687	23	25003-9559
8.625	10.250	0.750	23	25003-3941	8.750	9.875	0.750	23	25003-5480
8.625	10.250	0.750	53	21086-3941	8.750	10.000	0.515	23	25003-4981
8.625	10.250	0.750	IG	29500-5808	8.750	10.000	0.625	23	25003-6386
8.625	10.260	0.687	64	21238-2736	8.750	10.000	0.625	26	24600-6386
8.625	10.500	0.500	26	24600-3828	8.750	10.000	0.625	53	21086-6386
8.625	10.500	0.750	21	25001-3943	8.750	10.000	0.625	59	24700-6386
8.625	10.500	0.750	53	21086-3943	8.750	10.000	0.625	88	26088-6386
8.625	10.500	0.750	59	24700-1741	8.750	10.000	0.625	88NS	26188-6386
8.625	10.500	1.000	53F1	22987-6520	8.750	10.000	1.000	53F1	22987-8182
8.625	10.625	0.625	59	24700-0017	8.750	10.250	0.500	23	25003-6845
8.625	10.625	0.750	23	25003-3611	8.750	10.250	0.500	24	25005-6845
8.625	10.625	0.750	26	24600-3611	8.750	10.250	0.625	23	25003-8142
8.625	10.625	0.750	53	21086-3611	8.750	10.250	0.625	59	24700-0022
8.625	10.625	0.812	23	25003-9203	8.750	10.250	0.687	53	21086-3946
8.625	10.625	1.000	53	21086-3945	8.750	10.250	0.687	62	21702-3946
8.625	10.750	0.812	64	21238-7718	8.750	10.250	0.687	64	21238-3946
8.625	10.750	0.875	59	24700-0018	8.750	10.250	0.750	23	25003-3947
8.625	10.750	1.000	53	21086-3612	8.750	10.250	0.750	53	21086-3947
8.661	9.370	0.748	23	25003-1014	8.750	10.312	0.625	23	25003-2615
8.661	9.661	0.500	23	25003-5598	8.750	10.375	0.750	23	25003-3948
8.661	9.842	0.512	23	25003-4757	8.750	10.375	0.750	53	21086-3948
8.661	9.842	0.590	23	25003-5357	8.750	10.500	0.687	64	21238-9911
8.661	9.842	0.590	53	21086-5357	8.750	10.500	0.750	23	25003-3949
8.661	9.842	0.590	26R1	24620-5357	8.750	10.500	0.750	53	21086-3949

All dimensions are in inches. Preferred sizes are indicated with **bold** type face.

Sizes listed are for standard nitrile elements, except Models 25 and 62 which have PTFE elements. Other material available on inquiry only.

SHAFT	BORE	WIDTH	MODEL NO.	PART NO.	SHAFT	BORE	WIDTH	MODEL NO.	PART NO.
8.750	10.500	0.750	59	24700-0023	8.937	10.500	0.750	23	25003-1235
8.750	10.500	0.750	62	21702-3949	8.970	10.500	0.500	23	25003-2721
8.750	10.500	0.812	23	25003-1082	9.000	10.000	0.437	23	25003-9201
8.750	10.625	0.750	53	21086-3950	9.000	10.000	0.468	26	24600-3834
8.750	10.625	0.750	59	24700-0024	9.000	10.000	0.500	21	25001-6387
8.750	10.750	0.625	23	25003-0960	9.000	10.000	0.500	23	25003-6387
8.750	10.750	0.750	21	25001-3951	9.000	10.000	0.500	25	25058-6387
8.750	10.750	0.750	23	25003-3951	9.000	10.000	0.625	23	25003-4503
8.750	10.750	0.750	26	24600-3951	9.000	10.000	0.625	53	21086-4503
8.750	10.750	0.750	53	21086-3951	9.000	10.000	0.625	59	24700-4503
8.750	10.750	0.750	59	24700-3951	9.000	10.000	0.625	62	21702-4503
8.750	10.750	0.750	62	21702-3951	9.000	10.000	0.750	53	21086-3615
8.750	10.750	0.812	23	25003-3952	9.000	10.000	0.750	142	21432-3615
8.750	10.750	0.812	64	21238-3952	9.000	10.032	0.500	23	25003-0579
8.750	10.750	1.000	53	21086-3613	9.000	10.062	0.500	23	25003-1019
8.750	10.750	1.375	53R1	22537-8687	9.000	10.125	0.500	23	25003-0985
8.750	10.750	1.375	53R2	22627-8687	9.000	10.125	0.547	23	25003-6423
8.750	10.875	0.812	64	21238-2812	9.000	10.125	0.625	23	25003-4504
8.780	10.780	0.750	23	25003-5525	9.000	10.125	0.625	53	21086-4504
8.800	9.500	0.625	61	24060-3600	9.000	10.125	0.750	23	25003-3616
8.812	9.812	0.500	23	25003-6943	9.000	10.125	0.750	53	21086-3616
8.812	10.312	0.500	23	25003-6334	9.000	10.125	0.750	59	24700-0027
8.812	10.312	0.750	23	25003-7617	9.000	10.187	0.625	59	24700-0028
8.858	9.842	0.492	23	25003-8481	9.000	10.250	0.625	23	25003-4505
8.858	9.858	0.500	23	25003-4992	9.000	10.250	0.625	25	25058-4505
8.858	10.433	0.630	23	25003-2247	9.000	10.250	0.625	53	21086-4505
8.858	11.016	0.906	59	24700-0025	9.000	10.250	0.625	59	24700-4505
8.859	10.359	0.750	23	25003-5910	9.000	10.250	0.750	53	21086-3617
8.875	9.875	0.500	23	25003-6813	9.000	10.375	0.500	24	25005-9108
8.875	10.125	0.625	23	25003-3832	9.000	10.375	0.625	23	25003-4506
8.875	10.125	0.625	23	25003-5153	9.000	10.375	0.625	53	21086-4506
8.875	10.125	0.625	26	24600-3832	9.000	10.375	0.625	59	24700-0029
8.875	10.125	0.625	59	24700-3832	9.000	10.375	0.750	53	21086-3618
8.875	10.125	0.625	87	26080-3832	9.000	10.500	0.500	23	25003-5952
8.875	10.125	0.750	26	24600-1914	9.000	10.500	0.500	26	24600-0809
8.875	10.250	0.750	23	25003-2244	9.000	10.500	0.562	23	25003-1963
8.875	10.375	0.500	23	25003-8177	9.000	10.500	0.609	23	25003-8494
8.875	10.375	0.750	23	25003-7336	9.000	10.500	0.625	23	25003-4507
8.875	10.500	0.750	23	25003-5213	9.000	10.500	0.625	53	21086-4507
8.875	10.625	0.812	23	25003-5559	9.000	10.500	0.625	59	24700-0030
8.875	10.750	0.750	62	21702-9438	9.000	10.500	0.625	62	21702-4507
8.875	10.875	0.750	23	25003-6646	9.000	10.500	0.687	53	21086-3954
8.875	10.875	0.750	59	24700-6646	9.000	10.500	0.687	59	24700-3150
8.875	10.875	0.812	23	25003-3953	9.000	10.500	0.687	62	21702-3954
8.875	10.875	0.812	64	21238-3953	9.000	10.500	0.687	64	21238-3954
8.875	10.875	1.000	26	24600-3833	9.000	10.500	0.750	23	25003-3619
8.875	11.000	0.875	59	24700-0026	9.000	10.500	0.750	25	25058-3619
8.937	9.937	0.500	23	25003-9151	9.000	10.500	0.750	26	24600-3619
8.937	9.968	0.500	23	25003-6273	9.000	10.500	0.750	53	21086-3619
8.937	10.000	0.500	23	25003-6797	9.000	10.500	0.812	21	25001-4929
8.937	10.187	0.625	23	25003-6190	9.000	10.500	1.375	53R1	22537-6521
8.937	10.443	1.562	EQSPB	24816-7052	9.000	10.500	1.375	53R2	22627-6521

All dimensions are in inches. Preferred sizes are indicated with **bold** type face. Sizes listed are for standard nitrile elements, except Models 25 and 62 which have PTFE elements. Other material available on inquiry only.

Oil Seals by Shaft Size

Garlock

SHAFT	BORE	WIDTH	MODEL NO.	PART NO.	SHAFT	BORE	WIDTH	MODEL NO.	PART NO.
9.000	10.500	1.437	53R2	22627-8828	9.062	10.562	0.750	23	25003-9553
9.000	10.625	0.625	23	25003-4508	9.062	10.562	0.750	113	21012-9553
9.000	10.625	0.625	53	21086-4508	9.062	11.062	0.750	21	25001-6092
9.000	10.625	0.625	59	24700-0031	9.062	11.062	0.750	23	25003-6092
9.000	10.625	0.625	62	21702-4508	9.125	10.125	0.375	23	25003-3195
9.000	10.625	0.750	23	25003-3620	9.125	10.125	0.500	23	25003-6756
9.000	10.672	0.750	23	25003-3160	9.125	10.375	0.625	23	25003-4803
9.000	10.750	0.750	23	25003-3621	9.125	10.375	0.625	26	24600-4803
9.000	10.750	0.750	53	21086-3621	9.125	10.375	0.625	59	24700-4803
9.000	10.750	1.375	53R2	22627-4943	9.125	10.500	0.625	23	25003-1876
9.000	10.875	0.750	23	25003-3622	9.125	10.625	0.625	59	24700-0037
9.000	10.875	0.750	53	21086-3622	9.125	10.625	0.687	53	21086-3957
9.000	10.910	0.812	23	25003-1165	9.125	10.625	0.687	64	21238-3957
9.000	10.910	0.838	21	25001-8564	9.125	10.625	0.750	23	25003-3958
9.000	11.000	0.625	23	25003-9948	9.125	10.625	0.750	53	21086-3958
9.000	11.000	0.625	59	24700-0032	9.125	10.625	1.250	53T2	22897-7823
9.000	11.000	0.750	21	25001-3623	9.125	10.750	0.625	59	24700-0038
9.000	11.000	0.750	23	25003-3623	9.125	10.750	0.750	23	25003-3959
9.000	11.000	0.750	26	24600-3623	9.125	10.750	0.750	53	21086-3959
9.000	11.000	0.750	53	21086-3623	9.125	10.799	0.703	23	25003-0466
9.000	11.000	0.750	87	26080-3623	9.125	11.000	0.750	53	21086-3961
9.000	11.000	0.812	23	25003-3955	9.125	11.125	0.625	59	24700-0039
9.000	11.000	0.812	64	21238-3955	9.125	11.125	0.750	23	25003-5745
9.000	11.000	1.000	53	21086-3624	9.125	11.125	0.812	64	21238-3962
9.000	11.000	1.000	62	21702-3624	9.125	11.125	1.250	53F1	22987-6726
9.000	11.000	1.250	53T2	22897-8462	9.134	10.625	0.687	64	21238-8765
9.000	11.000	1.375	53R1	22537-5949	9.156	10.656	0.750	23	25003-5126
9.000	11.000	1.375	53R2	22627-5949	9.187	10.375	0.750	59	24700-0040
9.000	11.054	0.750	59	24700-0033	9.187	10.687	0.750	23	25003-9295
9.000	11.250	0.875	59	24700-0034	9.250	10.125	0.375	23	25003-7640
9.055	10.039	0.500	23	25003-5403	9.250	10.170	0.500	23	25003-1430
9.055	10.180	0.494	23	25003-2485	9.250	10.250	0.437	23	25003-5320
9.055	10.180	0.625	23	25003-1109	9.250	10.250	0.500	23	25003-6676
9.055	10.230	0.590	23	25003-5334	9.250	10.250	0.500	25	25058-6676
9.055	10.236	0.590	26	24600-3955	9.250	10.250	0.625	23	25003-4509
9.055	10.236	0.591	59	24700-3955	9.250	10.250	0.625	53	21086-4509
9.055	10.236	0.591	87	26080-5334	9.250	10.250	0.625	26R1	24620-2976
9.055	10.551	0.750	23	25003-5784	9.250	10.250	0.750	53	21086-3628
9.055	10.590	0.866	26R1	24620-3956	9.250	10.250	0.750	142	21432-3628
9.055	10.591	0.866	26	24600-3956	9.250	10.375	0.625	23	25003-3255
9.055	10.621	0.629	59	24700-0035	9.250	10.375	0.750	53	21086-3629
9.055	10.629	0.551	59	24700-4035	9.250	10.500	0.500	23	25003-4724
9.055	10.630	0.591	59	24700-5814	9.250	10.500	0.625	23	25003-4511
9.055	10.630	0.630	23	25003-4885	9.250	10.500	0.625	26	24600-0041
9.055	10.630	0.630	59	24700-4763	9.250	10.500	0.625	53	21086-4511
9.055	10.866	0.684	23	25003-5374	9.250	10.500	0.625	26R1	24620-0041
9.055	11.024	0.625	59	24700-0036	9.250	10.500	0.625	59	24700-0041
9.055	11.024	0.630	23	25003-4865	9.250	10.500	0.750	25	25058-3630
9.062	10.062	0.375	23	25003-5575	9.250	10.500	0.750	53	21086-3630
9.062	10.062	0.500	21	25001-7322	9.250	10.625	0.750	23	25003-7831
9.062	10.062	0.500	23	25003-7322	9.250	10.625	1.437	53T2	22897-9103
9.062	10.500	0.750	23	25003-8838	9.250	10.750	0.500	23	25003-8179

All dimensions are in inches. Preferred sizes are indicated with **bold** type face.

Sizes listed are for standard nitrile elements, except Models 25 and 62 which have PTFE elements. Other material available on inquiry only.

SHAFT	BORE	WIDTH	MODEL NO.	PART NO.	SHAFT	BORE	WIDTH	MODEL NO.	PART NO.
9.250	10.750	0.625	23	25003-6595	9.375	11.375	1.000	53	21086-3634
9.250	10.750	0.625	59	24700-0042	9.409	10.909	0.625	23	25003-0476
9.250	10.750	0.656	26	24600-3840	9.410	10.410	0.750	142	21432-8414
9.250	10.750	0.687	53	21086-3963	9.437	10.437	0.500	23	25003-8753
9.250	10.750	0.687	64	21238-3963	9.437	10.500	0.625	23	25003-3977
9.250	10.750	0.750	23	25003-3632	9.437	10.500	0.625	53	21086-3977
9.250	10.750	0.750	53	21086-3632	9.437	10.500	0.750	53	21086-3635
9.250	10.750	1.375	53R1	22537-5021	9.437	10.625	0.625	23	25003-7447
9.250	10.750	1.375	53R2	22627-5021	9.437	10.625	0.625	53	21086-7447
9.250	10.875	0.750	53	21086-3964	9.437	10.625	0.750	23	25003-3636
9.250	11.000	0.625	59	24700-0043	9.437	10.625	0.750	53	21086-3636
9.250	11.000	0.750	23	25003-3965	9.437	10.687	0.625	23	25003-8447
9.250	11.000	0.750	25	25058-3965	9.437	10.750	0.625	23	25003-0528
9.250	11.000	0.750	53	21086-3965	9.437	10.937	0.750	23	25003-9916
9.250	11.000	1.375	53R1	22537-6663	9.438	10.625	0.750	59	24700-0051
9.250	11.000	1.375	53R2	22627-6663	9.438	11.500	0.875	59	24700-0052
9.250	11.250	0.562	59	24700-4481	9.438	11.500	1.000	59	24700-5932
9.250	11.250	0.625	23	25003-9172	9.445	10.633	0.500	23	25003-9941
9.250	11.250	0.625	26R1	24620-9388	9.448	10.433	0.492	23	25003-7637
9.250	11.250	0.687	64	21238-9706	9.448	10.448	0.500	23	25003-6991
9.250	11.250	0.750	23	25003-3967	9.448	10.629	0.590	23	25003-5359
9.250	11.250	0.750	25	25058-3967	9.448	10.629	0.590	53	21086-5359
9.250	11.250	0.750	26	24600-0044	9.448	10.629	0.590	26R1	24620-5359
9.250	11.250	0.750	53	21086-3967	9.448	10.948	0.750	23	25003-5852
9.250	11.250	0.750	26R1	24620-0044	9.448	11.023	0.500	23	25003-1097
9.250	11.250	0.750	58	21003-3967	9.448	11.023	0.629	23	25003-7891
9.250	11.250	0.750	59	24700-0044	9.448	11.023	0.629	53	21086-7891
9.250	11.250	0.750	62	21702-3967	9.448	11.024	0.748	26R1	24620-3973
9.250	11.250	0.812	23	25003-9875	9.448	11.024	0.787	23	25003-9435
9.250	11.250	1.000	26	24600-3633	9.448	11.259	0.684	23	25003-5380
9.250	11.250	1.000	53	21086-3633	9.448	11.417	0.630	23	25003-3132
9.250	11.250	1.375	53R2	22627-7562	9.448	11.417	0.748	26R1	24620-3974
9.250	11.250	1.375	53T2	22897-7562	9.448	12.598	0.984	26	24600-0828
9.250	11.375	0.875	59	24700-0045	9.449	10.630	0.591	26	24600-5359
9.250	11.500	0.875	59	24700-0046	9.449	10.630	0.594	59	24700-5359
9.375	10.375	0.437	23	25003-5093	9.449	10.630	0.630	59	24700-0053
9.375	10.375	0.500	23	25003-0981	9.449	10.827	0.630	26	24600-3910
9.375	10.375	0.750	142	21432-8621	9.449	10.827	0.709	23	25003-1036
9.375	10.375	1.000	59	24700-0047	9.449	11.024	0.591	26	24600-2041
9.375	10.625	0.500	23	25003-9544	9.449	11.024	0.748	23	25003-3973
9.375	10.625	0.625	23	25003-6648	9.449	11.024	0.748	26	24600-3973
9.375	10.625	0.625	59	24700-0048	9.449	11.811	0.984	59	24700-0054
9.375	10.875	0.750	23	25003-3971	9.469	10.625	0.625	26	24600-2044
9.375	10.875	0.750	59	24700-0049	9.469	10.625	0.625	59	24700-2044
9.375	11.000	0.625	59	24700-1343	9.500	10.500	0.437	23	25003-6214
9.375	11.000	0.750	23	25003-3972	9.500	10.500	0.438	26	24600-3841
9.375	11.000	0.750	53	21086-3972	9.500	10.500	0.500	23	25003-6388
9.375	11.250	0.750	23	25003-2580	9.500	10.500	0.625	23	25003-3638
9.375	11.375	0.625	59	24700-0050	9.500	10.500	0.625	53	21086-3638
9.375	11.375	0.750	53	21086-3975	9.500	10.500	1.000	53F1	22987-8717
9.375	11.375	0.812	23	25003-4610	9.500	10.625	0.500	23	25003-6669
9.375	11.375	0.812	64	21238-4610	9.500	10.625	0.625	53	21086-3639

All dimensions are in inches. Preferred sizes are indicated with **bold** type face. Sizes listed are for standard nitrile elements, except Models 25 and 62 which have PTFE elements. Other material available on inquiry only.

Oil Seals by Shaft Size

Garlock

SHAFT	BORE	WIDTH	MODEL NO.	PART NO.	SHAFT	BORE	WIDTH	MODEL NO.	PART NO.
9.500	10.750	0.500	23	25003-8783	9.563	10.563	0.500	23	25003-4823
9.500	10.750	0.562	64	21238-3145	9.563	10.653	0.500	23	25003-4460
9.500	10.750	0.625	23	25003-3640	9.620	10.875	0.625	59	24700-0058
9.500	10.750	0.625	26	24600-3640	9.625	10.500	0.500	23	25003-7835
9.500	10.750	0.625	53	21086-3640	9.625	10.625	0.500	23	25003-7889
9.500	10.750	0.625	59	24700-3640	9.625	10.875	0.500	23	25003-6664
9.500	10.750	1.375	53R2	22627-6942	9.625	10.875	0.625	23	25003-8313
9.500	10.750	1.375	53T2	22897-6942	9.625	10.875	0.625	26	24600-8313
9.500	10.875	0.750	23	25003-3105	9.625	10.875	0.625	53	21086-8313
9.500	10.937	0.750	23	25003-2530	9.625	10.875	0.750	23	25003-4512
9.500	11.000	0.500	23	25003-8388	9.625	10.875	0.750	53	21086-4512
9.500	11.000	0.625	21	25001-3642	9.625	10.875	0.750	59	24700-0059
9.500	11.000	0.625	23	25003-3642	9.625	11.000	0.750	23	25003-2343
9.500	11.000	0.625	53	21086-3642	9.625	11.125	0.500	23	25003-6682
9.500	11.000	0.625	59	24700-0055	9.625	11.125	0.625	23	25003-9300
9.500	11.000	0.688	26	24600-3842	9.625	11.125	0.750	23	25003-9260
9.500	11.000	0.750	21	25001-3979	9.625	11.625	0.750	21	25001-6389
9.500	11.000	0.750	23	25003-3979	9.625	11.625	0.750	23	25003-6389
9.500	11.000	0.750	25	25058-3979	9.625	11.625	0.812	23	25003-9594
9.500	11.125	0.625	53	21086-3643	9.625	11.625	1.000	53	21086-3649
9.500	11.125	0.625	59	24700-0056	9.642	10.642	0.500	23	25003-7764
9.500	11.250	0.625	26	24600-3644	9.645	12.007	0.984	26R1	24620-1837
9.500	11.250	0.625	53	21086-3644	9.646	11.142	0.812	23	25003-2256
9.500	11.250	0.625	59	24700-3644	9.687	11.187	0.750	23	25003-9253
9.500	11.250	0.750	23	25003-3981	9.719	11.625	0.700	59	24700-0060
9.500	11.250	0.750	53	21086-3981	9.724	10.724	0.500	23	25003-4989
9.500	11.250	0.750	64	21238-3981	9.725	11.750	0.625	59	24700-2189
9.500	11.250	1.375	53R2	22627-8909	9.750	10.625	0.500	23	25003-1072
9.500	11.375	0.625	23	25003-3645	9.750	10.750	0.500	23	25003-6067
9.500	11.375	0.625	53	21086-3645	9.750	10.750	0.625	23	25003-4513
9.500	11.437	0.625	23	25003-5463	9.750	10.750	0.625	53	21086-4513
9.500	11.500	0.500	23	25003-1910	9.750	10.750	0.625	59	24700-2914
9.500	11.500	0.578	23	25003-9536	9.750	10.750	0.625	62	21702-4513
9.500	11.500	0.625	23	25003-3646	9.750	10.750	0.750	53	21086-3650
9.500	11.500	0.625	26	24600-0055	9.750	10.875	0.625	53	21086-4514
9.500	11.500	0.625	53	21086-3646	9.750	11.000	0.500	23	25003-6390
9.500	11.500	0.625	59	24700-0057	9.750	11.000	0.625	23	25003-4515
9.500	11.500	0.687	23	25003-5960	9.750	11.000	0.625	26	24600-4515
9.500	11.500	0.750	21	25001-3983	9.750	11.000	0.625	53	21086-4515
9.500	11.500	0.750	23	25003-3983	9.750	11.000	0.625	59	24700-4515
9.500	11.500	0.812	21	25001-3984	9.750	11.000	0.750	23	25003-3652
9.500	11.500	0.812	23	25003-3984	9.750	11.000	0.750	25	25058-3652
9.500	11.500	0.812	62	21702-3984	9.750	11.000	0.750	53	21086-3652
9.500	11.500	0.812	64	21238-3984	9.750	11.000	1.375	53R1	22537-9713
9.500	11.500	1.000	26	24600-3648	9.750	11.125	0.562	64	21238-1692
9.500	11.500	1.000	53	21086-3648	9.750	11.125	0.625	23	25003-4516
9.500	11.500	1.000	62	21702-3648	9.750	11.125	0.625	53	21086-4516
9.500	11.500	1.250	53F1	22987-7909	9.750	11.125	0.625	59	24700-0061
9.500	11.500	1.312	53R1	22537-4925	9.750	11.125	0.750	26	24600-1922
9.528	10.709	0.591	26	24600-2149	9.750	11.125	0.750	53	21086-3653
9.562	10.812	0.625	23	25003-9888	9.750	11.160	0.588	23	25003-6201
9.562	11.062	0.625	23	25003-8846	9.750	11.250	0.625	23	25003-4517

All dimensions are in inches. Preferred sizes are indicated with **bold** type face.

Sizes listed are for standard nitrile elements, except Models 25 and 62 which have PTFE elements. Other material available on inquiry only.

SHAFT	BORE	WIDTH	MODEL NO.	PART NO.	SHAFT	BORE	WIDTH	MODEL NO.	PART NO.
9.750	11.250	0.625	25	25058-4517	9.875	11.875	1.312	53R1	22537-8829
9.750	11.250	0.625	53	21086-4517	9.875	11.875	1.312	53T2	22897-8829
9.750	11.250	0.625	59	24700-0062	9.875	12.000	0.875	59	24700-0068
9.750	11.250	0.687	64	21238-3985	9.892	11.338	0.750	23	25003-4850
9.750	11.250	0.688	23	25003-3985	9.937	10.937	0.500	23	25003-5901
9.750	11.250	0.750	23	25003-3654	9.937	11.187	0.625	23	25003-9272
9.750	11.250	0.750	26	24600-3654	9.937	11.437	0.750	23	25003-9145
9.750	11.250	0.750	53	21086-3654	9.937	11.500	0.750	23	25003-9057
9.750	11.250	1.000	53F1	22987-5205	9.937	11.937	0.750	23	25003-5472
9.750	11.250	1.000	EQ	24802-1183	9.937	12.000	1.000	53	21086-3658
9.750	11.375	0.750	23	25003-1283	9.937	12.125	1.000	53	21086-3659
9.750	11.500	0.750	59	24700-0063	9.938	11.938	0.625	23	25003-4618
9.750	11.750	0.625	23	25003-9947	9.938	12.000	0.750	59	24700-0069
9.750	11.750	0.625	59	24700-0064	9.938	12.125	1.000	59	24700-0070
9.750	11.750	0.687	64	21238-9425	9.945	11.560	0.750	23	25003-3110
9.750	11.750	0.750	21	25001-3989	9.947	10.875	0.500	23	25003-1079
9.750	11.750	0.750	23	25003-3989	9.947	11.875	0.500	23	25003-1064
9.750	11.750	0.750	25	25058-3989	9.960	10.834	0.375	23	25003-8140
9.750	11.750	0.750	53	21086-3989	10.000	10.875	0.375	23	25003-1030
9.750	11.750	1.000	26	24600-3655	10.000	11.000	0.375	23	25003-2068
9.750	11.750	1.000	53	21086-3655	10.000	11.000	0.375	26	24600-4927
9.750	12.000	0.875	59	24700-0065	10.000	11.000	0.500	23	25003-6391
9.774	11.024	0.500	23	25003-9317	10.000	11.000	0.562	23	25003-3660
9.842	11.023	0.590	23	25003-5339	10.000	11.000	0.562	53	21086-3660
9.842	11.023	0.590	26R1	24620-5339	10.000	11.000	0.562	59	24700-3660
9.842	11.417	0.590	23	25003-4497	10.000	11.000	0.562	61	24060-3660
9.842	11.467	0.750	23	25003-5961	10.000	11.000	0.562	62	21702-3660
9.842	11.653	0.684	23	25003-5375	10.000	11.000	0.750	53	21086-3668
9.842	11.842	0.750	23	25003-1314	10.000	11.000	0.750	62	21702-3668
9.843	10.843	0.750	142	21432-8553	10.000	11.000	0.750	142	21432-3668
9.843	11.024	0.591	59	24700-5339	10.000	11.000	1.375	53R1	22537-8868
9.843	11.024	0.591	62	21702-5339	10.000	11.125	0.547	23	25003-7736
9.843	11.024	0.650	26	24600-4345	10.000	11.125	0.562	53	21086-3661
9.843	11.220	0.630	23	25003-1099	10.000	11.125	0.563	23	25003-3661
9.843	11.342	0.748	23	25003-1703	10.000	11.250	0.500	23	25003-4923
9.843	11.417	0.630	23	25003-8607	10.000	11.250	0.500	25	25058-4923
9.844	10.844	0.500	23	25003-9969	10.000	11.250	0.562	23	25003-3662
9.844	11.020	0.500	23	25003-9676	10.000	11.250	0.562	53	21086-3662
9.844	11.343	0.812	23	25003-6533	10.000	11.250	0.625	23	25003-6808
9.844	11.409	0.625	59	24700-0066	10.000	11.250	0.625	25	25058-6808
9.859	10.859	0.500	23	25003-4482	10.000	11.250	0.625	26	24600-6808
9.868	11.368	0.750	23	25003-9995	10.000	11.250	0.625	59	24700-6808
9.875	10.875	0.500	23	25003-7621	10.000	11.250	0.687	23	25003-3146
9.875	10.875	0.500	25	25058-7621	10.000	11.250	0.750	53	21086-3670
9.875	11.375	0.625	23	25003-1441	10.000	11.250	1.000	53F1	22987-6481
9.875	11.375	0.750	23	25003-3990	10.000	11.375	0.500	23	25003-2352
9.875	11.375	0.750	53	21086-3990	10.000	11.375	0.562	53	21086-3663
9.875	11.375	0.750	59	24700-0067	10.000	11.375	0.750	53	21086-3671
9.875	11.500	0.750	23	25003-3991	10.000	11.375	0.750	59	24700-0071
9.875	11.500	0.750	53	21086-3991	10.000	11.437	0.750	23	25003-8841
9.875	11.875	0.750	23	25003-5082	10.000	11.500	0.375	23	25003-9957
9.875	11.875	0.969	59	24700-3140	10.000	11.500	0.562	53	21086-3664

All dimensions are in inches. Preferred sizes are indicated with **bold** type face. Sizes listed are for standard nitrile elements, except Models 25 and 62 which have PTFE elements. Other material available on inquiry only.

Oil Seals by Shaft Size

Garlock

SHAFT	BORE	WIDTH	MODEL NO.	PART NO.	SHAFT	BORE	WIDTH	MODEL NO.	PART NO.
10.000	11.500	0.625	23	25003-4950	10.125	11.500	0.625	23	25003-1908
10.000	11.500	0.625	59	24700-4950	10.125	11.500	0.750	23	25003-7147
10.000	11.500	0.625	87	26080-4950	10.125	11.625	0.500	23	25003-1461
10.000	11.500	0.687	53	21086-3992	10.125	11.625	0.687	53	21086-3999
10.000	11.500	0.687	59	24700-3992	10.125	11.625	0.687	64	21238-3999
10.000	11.500	0.687	64	21238-3992	10.125	11.625	0.688	59	24700-0076
10.000	11.500	0.688	23	25003-3992	10.125	11.625	0.750	23	25003-4000
10.000	11.500	0.750	21	25001-3672	10.125	11.625	0.750	53	21086-4000
10.000	11.500	0.750	23	25003-3672	10.125	11.750	0.687	64	21238-5989
10.000	11.500	0.750	25	25058-3672	10.125	11.750	0.688	59	24700-0077
10.000	11.500	0.750	53	21086-3672	10.125	12.000	0.750	23	25003-4003
10.000	11.500	0.750	62	21702-3672	10.125	12.000	0.750	26	24600-4003
10.000	11.625	0.750	23	25003-3993	10.125	12.000	0.750	53	21086-4003
10.000	11.625	0.750	53	21086-3993	10.125	12.000	0.750	59	24700-4003
10.000	11.625	0.750	59	24700-0072	10.125	12.000	1.000	53	21086-3674
10.000	11.640	0.750	23	25003-2344	10.158	11.417	0.630	23	25003-0695
10.000	11.750	0.562	23	25003-3666	10.187	11.188	0.500	23	25003-6216
10.000	11.750	0.562	53	21086-3666	10.187	11.437	0.625	23	25003-7588
10.000	11.750	0.625	59	24700-0073	10.187	12.250	1.000	53	21086-3675
10.000	11.750	0.750	23	25003-3994	10.188	12.250	1.000	59	24700-0078
10.000	11.750	0.750	26	24600-3994	10.229	11.729	0.750	23	25003-0821
10.000	11.750	0.750	53	21086-3994	10.236	11.417	0.590	23	25003-5351
10.000	11.750	0.750	64	21238-3994	10.236	11.417	0.590	26	24600-5351
10.000	11.875	0.562	53	21086-3667	10.236	11.417	0.630	26	24600-5111
10.000	11.875	0.812	23	25003-1881	10.236	11.418	0.630	59	24700-5111
10.000	11.910	0.812	23	25003-4684	10.236	11.486	0.625	23	25003-5957
10.000	11.910	0.838	21	25001-8742	10.236	11.732	0.750	23	25003-5665
10.000	12.000	0.625	23	25003-3995	10.236	11.736	0.750	23	25003-5186
10.000	12.000	0.625	59	24700-0074	10.236	11.811	0.511	53	21086-7892
10.000	12.000	0.687	21	25001-5906	10.236	11.811	0.630	23	25003-7010
10.000	12.000	0.687	23	25003-5906	10.236	11.811	0.787	26	24600-5429
10.000	12.000	0.687	53	21086-5906	10.236	11.812	0.787	59	24700-5429
10.000	12.000	0.750	23	25003-3996	10.236	11.968	0.787	23	25003-4805
10.000	12.000	0.750	24	25005-3996	10.236	11.969	0.787	87	26080-4805
10.000	12.000	0.750	53	21086-3996	10.236	12.000	0.812	23	25003-1026
10.000	12.000	0.812	23	25003-3997	10.236	12.047	0.684	23	25003-5381
10.000	12.000	0.812	64	21238-3997	10.236	12.125	0.787	23	25003-1292
10.000	12.000	0.875	53	21086-3998	10.236	12.205	0.630	23	25003-0872
10.000	12.000	0.875	64	21238-3998	10.236	12.244	0.748	23	25003-2314
10.000	12.000	1.000	25	25058-3673	10.236	12.402	0.945	59	24700-4891
10.000	12.000	1.000	26	24600-0800	10.236	12.590	0.984	59	24700-0079
10.000	12.000	1.000	53	21086-3673	10.236	12.598	0.984	59	24700-4999
10.000	12.000	1.000	62	21702-3673	10.250	11.250	0.500	23	25003-9476
10.000	12.000	1.250	53R1	22537-8756	10.250	11.250	0.500	59	24700-4049
10.000	12.000	1.312	53T2	22897-4800	10.250	11.250	0.625	23	25003-9384
10.000	12.000	1.375	53R2	22627-6842	10.250	11.250	0.750	142	21432-6931
10.000	12.000	1.812	53R1	22537-8662	10.250	11.500	0.500	23	25003-3198
10.000	12.250	0.813	64	21238-3669	10.250	11.500	0.625	23	25003-6698
10.000	12.250	0.875	59	24700-0075	10.250	11.500	0.625	59	24700-0080
10.039	11.417	0.630	59	24700-4767	10.250	11.687	0.625	23	25003-1070
10.063	11.688	0.750	23	25003-4764	10.250	11.750	0.625	23	25003-5523
10.125	11.375	0.625	23	25003-6219	10.250	11.750	0.625	59	24700-0081

All dimensions are in inches. Preferred sizes are indicated with **bold** type face.

Sizes listed are for standard nitrile elements, except Models 25 and 62 which have PTFE elements. Other material available on inquiry only.

SHAFT	BORE	WIDTH	MODEL NO.	PART NO.	SHAFT	BORE	WIDTH	MODEL NO.	PART NO.
10.250	11.750	0.687	53	21086-4004	10.500	11.750	0.625	23	25003-5934
10.250	11.750	0.687	64	21238-4004	10.500	11.750	0.625	25	25058-5934
10.250	11.750	0.750	23	25003-4005	10.500	11.750	0.625	26	24600-3665
10.250	11.750	0.750	26	24600-4005	10.500	11.750	0.625	26R1	24620-3665
10.250	11.750	0.750	53	21086-4005	10.500	11.750	0.625	59	24700-3665
10.250	12.000	0.625	59	24700-0082	10.500	11.750	0.750	23	25003-8565
10.250	12.000	0.750	23	25003-4007	10.500	11.750	0.875	EQ	24801-3679
10.250	12.000	0.750	53	21086-4007	10.500	11.906	0.766	23	25003-1980
10.250	12.250	0.625	26R1	24620-4008	10.500	12.000	0.500	23	25003-6683
10.250	12.250	0.625	59	24700-4008	10.500	12.000	0.625	23	25003-4495
10.250	12.250	0.750	23	25003-3676	10.500	12.000	0.625	25	25058-4495
10.250	12.250	0.750	53	21086-3676	10.500	12.000	0.625	59	24700-0090
10.250	12.250	0.812	23	25003-4009	10.500	12.000	0.625	113	21012-4495
10.250	12.250	0.812	64	21238-4009	10.500	12.000	0.687	53	21086-4011
10.250	12.250	1.000	26	24600-3677	10.500	12.000	0.687	64	21238-4011
10.250	12.250	1.000	53	21086-3677	10.500	12.000	0.688	23	25003-4011
10.250	12.250	1.000	53F1	22987-3677	10.500	12.000	0.750	21	25001-4012
10.250	12.500	0.750	59	24700-0083	10.500	12.000	0.750	23	25003-4012
10.250	12.500	0.813	64	21238-4015	10.500	12.000	0.750	25	25058-4012
10.250	13.750	0.750	26	24600-4380	10.500	12.000	0.750	53	21086-4012
10.300	11.550	0.625	23	25003-1037	10.500	12.000	0.750	62	21702-4012
10.313	11.938	0.813	23	25003-4778	10.500	12.125	0.625	59	24700-0091
10.357	11.500	0.625	23	25003-2458	10.500	12.125	0.750	23	25003-4013
10.375	11.625	0.625	23	25003-9133	10.500	12.125	0.750	53	21086-4013
10.375	11.625	0.625	59	24700-0084	10.500	12.125	0.750	62	21702-4013
10.375	11.633	0.812	23	25003-1146	10.500	12.250	0.750	23	25003-4014
10.375	11.875	0.500	23	25003-6882	10.500	12.250	0.750	53	21086-4014
10.375	11.875	0.750	59	24700-0085	10.500	12.250	0.750	59	24700-0092
10.375	12.000	0.750	23	25003-0641	10.500	12.500	0.500	23	25003-1971
10.375	12.197	1.000	53	21086-4010	10.500	12.500	0.625	26R1	24620-4006
10.375	12.197	1.000	59	24700-0086	10.500	12.500	0.625	59	24700-4006
10.375	12.250	0.750	23	25003-9997	10.500	12.500	0.750	23	25003-4016
10.375	12.500	0.875	59	24700-0087	10.500	12.500	0.750	53	21086-4016
10.433	11.417	0.625	23	25003-2613	10.500	12.500	0.750	62	21702-4016
10.433	11.683	0.625	23	25003-7288	10.500	12.500	0.812	23	25003-4017
10.433	11.683	0.625	26	24600-7288	10.500	12.500	0.812	62	21702-4017
10.437	11.937	0.750	23	25003-9776	10.500	12.500	0.812	64	21238-4017
10.437	12.437	0.750	24	25005-6758	10.500	12.500	1.000	26	24600-3680
10.437	12.500	1.000	53	21086-3678	10.500	12.500	1.000	53	21086-3680
10.438	11.688	0.812	23	25003-3150	10.500	12.500	1.375	53R1	22537-7774
10.438	12.000	0.625	23	25003-2655	10.500	12.500	1.375	53T2	22897-7774
10.438	12.000	0.750	23	25003-4812	10.500	12.500	1.812	53T2	22897-8680
10.438	12.438	0.875	59	24700-0088	10.500	12.625	1.000	53	21086-3681
10.438	12.500	1.000	59	24700-0089	10.500	12.625	1.000	59	24700-0093
10.441	11.441	0.375	23	25003-6568	10.530	12.030	0.625	23	25003-5639
10.500	11.500	0.375	23	25003-2376	10.562	12.562	0.750	23	25003-4963
10.500	11.500	0.500	23	25003-6781	10.562	12.562	0.750	24	25005-4963
10.500	11.500	0.625	59	24700-3427	10.625	11.625	0.415	23	25003-5294
10.500	11.500	0.750	142	21432-9922	10.625	11.625	0.625	23	25003-5067
10.500	11.625	0.547	23	25003-9679	10.625	11.812	0.625	59	24700-0094
10.500	11.750	0.500	23	25003-8334	10.625	11.875	0.625	23	25003-7432
10.500	11.750	0.625	21	25001-5934	10.625	11.875	0.625	25	25058-7432

All dimensions are in inches. Preferred sizes are indicated with **bold** type face. Sizes listed are for standard nitrile elements, except Models 25 and 62 which have PTFE elements. Other material available on inquiry only.

Oil Seals by Shaft Size

Garlock

SHAFT	BORE	WIDTH	MODEL NO.	PART NO.	SHAFT	BORE	WIDTH	MODEL NO.	PART NO.
10.625	12.000	0.750	23	25003-6935	10.750	12.250	0.625	59	24700-0101
10.625	12.125	0.750	23	25003-4018	10.750	12.250	0.687	64	21238-4023
10.625	12.125	0.750	53	21086-4018	10.750	12.250	0.750	23	25003-4024
10.625	12.125	0.750	59	24700-0095	10.750	12.250	0.750	53	21086-4024
10.625	12.250	0.750	23	25003-4019	10.750	12.375	0.562	53	21086-4025
10.625	12.250	0.750	53	21086-4019	10.750	12.500	0.562	23	25003-3686
10.625	12.375	0.750	23	25003-4020	10.750	12.500	0.562	26	24600-3686
10.625	12.375	0.750	53	21086-4020	10.750	12.500	0.562	53	21086-3686
10.625	12.375	0.750	59	24700-0096	10.750	12.500	0.625	53	21086-4524
10.625	12.375	1.437	53T2	22897-4653	10.750	12.500	0.625	59	24700-0102
10.625	12.500	0.750	53	21086-4021	10.750	12.625	0.750	53	21086-4029
10.625	12.500	0.750	59	24700-0097	10.750	12.687	0.578	23	25003-1623
10.625	12.500	0.969	53F1	22987-6447	10.750	12.750	0.562	23	25003-3687
10.625	12.500	1.000	53F1	22987-7585	10.750 12.750 0.562 26 24600-3687				
10.625	12.625	0.750	23	25003-6704	10.750	12.750	0.562	53	21086-3687
10.625	12.625	0.812	23	25003-6428	10.750	12.750	0.625	26R1	24620-5465
10.625	13.000	0.750	59	24700-0098	10.750	12.750	0.625	59	24700-5465
10.629	11.629	0.409	23	25003-7709	10.750	12.750	0.750	23	25003-4030
10.629	11.811	0.590	23	25003-5350	10.750	12.750	0.750	53	21086-4030
10.629	11.811	0.630	26	24600-5445	10.750	12.750	0.750	87	26080-4030
10.629	12.119	0.750	23	25003-5881	10.750	12.750	0.812	23	25003-4031
10.629	12.251	0.625	23	25003-5862	10.750	12.750	0.812	62	21702-4031
10.630	12.126	0.687	64	21238-7769	10.750	12.750	0.812	64	21238-4031
10.630	12.205	0.630	23	25003-8655	10.750	12.750	0.875	53	21086-3688
10.630	12.205	0.630	59	24700-8655	10.750	12.750	1.000	25	25058-3689
10.630	12.205	0.787	26R1	24620-2965	10.750	12.750	1.000	53	21086-3689
10.630	12.362	0.787	23	25003-1027	10.750	13.000	0.813	64	21238-4022
10.630	13.189	0.708	59	24700-0099	10.750	13.000	0.875	59	24700-0103
10.687	12.687	0.750	23	25003-4854	10.750	13.250	0.813	64	21238-4026
10.688	11.742	0.625	23	25003-0205	10.787	11.969	0.591	26	24600-2148
10.688	12.250	0.625	23	25003-2791	10.787	12.250	0.688	26	24600-8830
10.688	12.500	0.625	59	24700-2620	10.826	12.008	0.591	26	24600-1040
10.710	12.511	0.625	23	25003-1049	10.827	11.827	0.590	23	25003-5808
10.728	11.728	0.500	23	25003-4994	10.827	12.205	0.591	23	25003-2350
10.750	11.750	0.500	23	25003-7598	10.827	12.205	0.591	26	24600-3722
10.750	11.750	0.562	23	25003-3682	10.875	12.375	0.687	64	21238-4027
10.750	11.750	0.562	26	24600-3682	10.875	12.375	0.750	23	25003-4032
10.750 11.750 0.562 53 21086-3682					10.875	12.375	0.750	25	25058-4032
10.750	11.750	0.562	59	24700-3682	10.875	12.375	0.750	59	24700-0104
10.750	11.875	0.562	53	21086-3683	10.875	12.500	0.687	64	21238-4028
10.750	11.875	0.625	53	21086-4519	10.875	12.500	1.000	59	24700-0105
10.750	11.875	1.375	53T2	22897-9611	10.875	12.625	0.750	23	25003-9542
10.750	12.000	0.562	53	21086-3684	10.875	12.875	0.500	23	25003-1982
10.750	12.000	0.625	23	25003-4520	10.875	12.875	0.578	23	25003-9535
10.750	12.000	0.625	53	21086-4520	10.875	12.875	0.812	23	25003-6416
10.750	12.000	0.625	59	24700-0100	10.937	12.187	0.625	23	25003-9932
10.750	12.250	0.562	23	25003-3685	10.937	12.437	0.625	23	25003-6087
10.750	12.250	0.562	26	24600-3685	10.937	12.500	0.625	23	25003-8874
10.750 12.250 0.562 53 21086-3685					10.937	12.500	0.625	23	25003-9974
10.750	12.250	0.562	59	24700-3685	10.937	12.937	0.750	23	25003-6504
10.750	12.250	0.625	23	25003-4522	10.984	12.165	0.591	23	25003-1246
10.750	12.250	0.625	53	21086-4522	10.992	12.402	0.787	59	24700-4858

All dimensions are in inches. Preferred sizes are indicated with **bold** type face.

Sizes listed are for standard nitrile elements, except Models 25 and 62 which have PTFE elements. Other material available on inquiry only.

SHAFT	BORE	WIDTH	MODEL NO.	PART NO.	SHAFT	BORE	WIDTH	MODEL NO.	PART NO.
11.000	12.000	0.375	23	25003-8761	11.024	12.520	0.709	23	25003-1962
11.000	12.000	0.500	23	25003-9693	11.024	12.598	0.630	53	21086-7848
11.000	12.000	0.625	23	25003-3691	11.024	12.598	0.709	59	24700-4028
11.000	12.000	0.625	26	24600-3691	11.024	12.598	0.787	23	25003-7391
11.000	12.000	0.625	53	21086-3691	11.024	12.598	0.787	26	24600-3695
11.000	12.000	0.625	59	24700-3691	11.024	12.598	0.787	59	24700-3695
11.000	12.125	0.547	23	25003-6393	11.024	12.598	0.787	64	21238-7391
11.000	12.125	0.625	53	21086-4034	11.024	12.992	0.610	23	25003-0897
11.000	12.250	0.562	64	21238-3135	11.024	13.386	0.813	64	21238-4039
11.000	12.250	0.609	26R1	24620-5018	11.024	13.386	0.984	59	24700-0109
11.000	12.250	0.625	23	25003-3692	11.027	12.500	0.625	23	25003-5303
11.000	12.250	0.625	25	25058-3692	11.029	12.029	0.375	23	25003-7878
11.000	12.250	0.625	53	21086-3692	11.031	12.031	0.500	23	25003-1465
11.000	12.250	0.625	59	24700-0106	11.031	12.031	0.625	23	25003-5724
11.000	12.250	0.687	64	21238-3720	11.062	12.250	0.750	23	25003-3695
11.000	12.250	0.688	26	24600-3720	11.062	12.250	0.750	53	21086-3695
11.000	12.375	0.750	23	25003-4450	11.062	12.500	0.750	53	21086-3696
11.000	12.500	0.375	23	25003-7606	11.062	12.750	0.750	53	21086-3697
11.000	12.500	0.500	23	25003-7716	11.062	13.000	0.750	53	21086-3698
11.000	12.500	0.625	23	25003-3693	11.063	12.250	0.750	59	24700-0110
11.000	12.500	0.625	25	25058-3693	11.063	12.313	0.625	23	25003-3261
11.000	12.500	0.625	53	21086-3693	11.063	12.500	0.750	23	25003-3696
11.000	12.500	0.625	26R1	24620-3693	11.063	12.500	0.750	59	24700-0111
11.000	12.500	0.625	59	24700-3693	11.063	13.000	0.750	59	24700-0112
11.000	12.500	0.687	64	21238-4611	11.100	12.150	0.625	23	25003-0858
11.000	12.500	0.750	23	25003-6394	11.125	12.500	0.750	23	25003-5395
11.000	12.500	1.375	53R2	22627-5927	11.125	12.750	1.000	59	24700-0113
11.000	12.625	0.625	23	25003-5006	11.125	13.000	0.687	64	21238-3699
11.000	12.625	0.750	23	25003-7204	11.125	13.000	0.750	23	25003-1124
11.000	12.750	0.750	23	25003-4867	11.125	13.000	1.000	59	24700-0114
11.000	12.812	0.625	23	25003-5462	11.125	13.125	0.812	23	25003-4049
11.000	12.875	0.812	23	25003-9149	11.125	13.250	0.813	64	21238-3700
11.000	13.000	0.500	23	25003-1905	11.125	13.250	0.875	59	24700-0115
11.000	13.000	0.625	59	24700-0107	11.150	12.375	0.625	23	25003-3154
11.000	13.000	0.687	64	21238-6034	11.150	12.526	0.500	23	25003-0678
11.000	13.000	0.750	23	25003-6395	11.181	12.992	0.622	23	25003-0740
11.000	13.000	0.750	24	25005-6395	11.187	12.188	0.500	23	25003-6238
11.000	13.000	0.750	26	24600-6395	11.188	13.000	0.750	23	25003-1782
11.000	13.000	0.812	23	25003-4036	11.219	12.953	0.787	23	25003-5712
11.000	13.000	0.812	64	21238-4036	11.220	12.402	0.787	23	25003-1262
11.000	13.000	1.000	53	21086-3694	11.250	12.250	0.625	23	25003-9829
11.000	13.000	1.000	53R1	22537-3694	11.250	12.250	0.750	142	21432-8297
11.000	13.000	1.000	53R2	22627-3694	11.250	12.500	0.625	23	25003-6672
11.000	13.250	1.000	53	21086-4037	11.250	12.500	0.625	25	25058-6672
11.023	12.023	0.500	23	25003-6964	11.250	12.500	0.625	59	24700-0116
11.023	12.023	0.625	23	25003-5958	11.250	12.530	0.625	23	25003-2968
11.024	12.197	0.625	53	21086-4038	11.250	12.750	0.625	23	25003-7832
11.024	12.197	0.629	59	24700-0108	11.250	12.750	0.625	26	24600-7832
11.024	12.205	0.630	23	25003-2582	11.250	12.750	0.625	59	24700-7832
11.024	12.205	0.630	59	24700-0982	11.250	12.750	0.687	23	25003-4527
11.024	12.205	0.787	23	25003-0890	11.250	12.750	0.687	53	21086-4527
11.024	12.441	0.709	26	24600-5233	11.250	12.750	0.687	64	21238-4527

All dimensions are in inches. Preferred sizes are indicated with **bold** type face. Sizes listed are for standard nitrile elements, except Models 25 and 62 which have PTFE elements. Other material available on inquiry only.

Oil Seals by Shaft Size

Garlock

SHAFT	BORE	WIDTH	MODEL NO.	PART NO.	SHAFT	BORE	WIDTH	MODEL NO.	PART NO.
11.250	12.750	0.750	23	25003-4046	11.500	12.750	0.625	26	24600-7263
11.250	12.750	0.750	25	25058-4046	11.500	12.750	0.625	59	24700-7263
11.250	12.750	0.750	53	21086-4046	11.500	12.875	0.688	59	24700-0125
11.250	12.750	0.750	59	24700-1904	11.500	12.875	0.750	23	25003-5012
11.250	13.250	0.625	23	25003-0420	11.500	13.000	0.500	23	25003-7219
11.250	13.250	0.625	59	24700-0117	11.500	13.000	0.625	23	25003-6687
11.250	13.250	0.687	64	21238-8778	11.500	13.000	0.625	26	24600-0126
11.250	13.250	0.812	21	25001-4047	11.500	13.000	0.625	59	24700-0126
11.250	13.250	0.812	23	25003-4047	11.500	13.000	0.687	53	21086-4057
11.250	13.250	0.812	59	24700-3613	11.500	13.000	0.687	59	24700-2569
11.250	13.250	0.812	64	21238-4047	11.500	13.000	0.687	64	21238-4057
11.250	13.250	1.000	53	21086-3703	11.500	13.000	0.688	23	25003-4057
11.250	13.500	0.875	59	24700-0118	11.500	13.000	0.750	21	25001-4058
11.250	13.500	1.000	53	21086-4048	11.500	13.000	0.750	23	25003-4058
11.335	12.520	0.500	23	25003-9942	11.500	13.000	0.750	25	25058-4058
11.344	12.593	0.625	23	25003-5014	11.500	13.000	0.750	53	21086-4058
11.365	12.625	0.625	23	25003-7437	11.500	13.000	0.750	59	24700-2906
11.375	12.375	0.500	23	25003-6549	11.500	13.000	0.812	62	21702-5773
11.375	12.625	0.625	23	25003-5397	11.500	13.000	1.250	53T2	22897-5584
11.375	12.875	0.750	23	25003-4050	11.500	13.125	0.812	23	25003-2646
11.375	12.875	0.750	25	25058-4050	11.500	13.250	0.750	23	25003-4060
11.375	12.875	0.750	53	21086-4050	11.500	13.250	0.750	53	21086-4060
11.375	12.875	0.750	59	24700-0119	11.500	13.250	0.750	59	24700-0127
11.375	13.000	0.625	59	24700-0120	11.500	13.250	0.812	23	25003-1035
11.375	13.000	0.687	23	25003-5261	11.500	13.375	0.750	23	25003-4061
11.375	13.000	0.750	23	25003-4051	11.500	13.375	0.750	53	21086-4061
11.375	13.000	0.750	53	21086-4051	11.500	13.375	0.750	59	24700-0128
11.375	13.000	0.750	59	24700-4051	11.500	13.500	0.625	59	24700-0129
11.375	13.000	1.375	53R2	22627-6063	11.500	13.500	0.750	23	25003-4062
11.375	13.375	0.812	64	21238-4052	11.500	13.500	0.750	53	21086-4062
11.375	13.375	0.813	59	24700-0121	11.500	13.500	0.750	62	21702-4062
11.375	13.500	1.000	53	21086-3704	11.500	13.500	0.812	23	25003-4063
11.375	13.500	1.000	59	24700-0122	11.500	13.500	0.812	64	21238-4063
11.375	13.500	1.250	53F1	22987-4995	11.500	13.500	1.000	53	21086-3705
11.417	12.992	0.787	23	25003-1031	11.500	13.500	1.250	53R2	22627-9036
11.417	12.992	0.787	26R1	24620-3886	11.562	13.062	0.750	23	25003-8559
11.417	13.142	0.750	59	24700-0123	11.575	12.575	0.500	23	25003-5307
11.417	13.417	0.750	23	25003-5882	11.614	13.114	0.750	23	25003-5878
11.417	13.417	0.812	23	25003-0932	11.625	12.625	0.500	23	25003-7053
11.417	13.780	0.984	59	24700-3100	11.625	13.000	0.750	59	24700-1875
11.418	12.992	0.709	23	25003-0416	11.625	13.125	0.750	23	25003-8287
11.422	12.921	0.750	23	25003-5719	11.625	13.191	0.750	59	24700-0130
11.437	13.750	0.625	59	24700-4573	11.625	13.625	0.812	23	25003-5298
11.438	13.000	0.688	59	24700-0124	11.687	13.187	0.625	23	25003-5776
11.471	13.471	0.750	23	25003-5851	11.687	13.250	0.625	23	25003-6840
11.500	12.375	0.375	23	25003-7639	11.688	13.000	0.750	59	24700-5802
11.500	12.500	0.375	23	25003-8962	11.688	13.750	0.750	23	25003-5176
11.500	12.500	0.500	23	25003-9094	11.732	12.606	0.375	23	25003-7874
11.500	12.500	0.500	26	24600-3850	11.750	13.000	0.813	23	25003-3239
11.500	12.625	0.625	23	25003-5642	11.750	13.250	0.625	23	25003-9980
11.500	12.750	0.500	23	25003-6621	11.750	13.250	0.625	26	24600-0131
11.500	12.750	0.625	23	25003-7263	11.750	13.250	0.625	59	24700-0131

All dimensions are in inches. Preferred sizes are indicated with **bold** type face.

Sizes listed are for standard nitrile elements, except Models 25 and 62 which have PTFE elements. Other material available on inquiry only.

SHAFT	BORE	WIDTH	MODEL NO.	PART NO.	SHAFT	BORE	WIDTH	MODEL NO.	PART NO.
11.750	13.250	0.687	53	21086-4064	12.000	13.000	0.500	23	25003-8804
11.750	13.250	0.687	64	21238-4064	12.000	13.000	0.625	23	25003-1925
11.750	13.250	0.688	23	25003-4064	12.000	13.000	0.750	142	21432-8107
11.750	13.250	0.750	23	25003-4065	12.000	13.125	1.250	142	21432-9707
11.750	13.250	0.750	53	21086-4065	12.000	13.125	1.312	142	21432-2986
11.750	13.250	0.750	62	21702-4065	12.000	13.125	1.375	142	21432-7445
11.750	13.500	0.750	23	25003-6826	12.000	13.250	0.625	23	25003-7306
11.750	13.500	0.812	23	25003-9976	12.000	13.250	0.625	59	24700-0139
11.750	13.562	0.500	23	25003-2704	12.000	13.250	0.750	23	25003-0954
11.750	13.750	0.625	23	25003-9721	12.000	13.500	0.625	25	25058-4707
11.750	13.750	0.625	23	25003-9726	12.000	13.500	0.625	59	24700-0140
11.750	13.750	0.625	59	24700-0132	12.000	13.500	0.687	64	21238-4612
11.750	13.750	0.625	61	24060-9721	12.000	13.500	0.688	23	25003-4612
11.750	13.750	0.750	23	25003-6836	12.000	13.500	0.688	26	24600-4612
11.750	13.750	0.812	23	25003-8315	12.000	13.500	0.688	59	24700-4612
11.750	13.750	1.000	53	21086-3706	12.000	13.500	0.750	23	25003-4067
11.750	14.000	1.000	53	21086-3707	12.000	13.500	0.750	53	21086-4067
11.750	14.000	1.000	59	24700-0133	12.000	13.500	0.750	62	21702-4067
11.808	13.308	0.750	23	25003-9793	12.000	13.500	0.812	62	21702-5670
11.811	12.811	0.500	23	25003-5835	12.000	13.500	1.312	53R1	22537-5950
11.811	12.992	0.590	23	25003-5352	12.000	13.625	0.625	59	24700-0141
11.811	13.071	0.630	59	24700-4009	12.000	13.625	0.687	64	21238-8523
11.811	13.189	0.709	23	25003-5446	12.000	13.625	0.750	23	25003-4068
11.811	13.311	0.750	23	25003-6932	12.000	13.625	0.750	26	24600-4068
11.811	13.385	0.812	23	25003-0947	12.000	13.625	0.750	53	21086-4068
11.811	13.386	0.630	23	25003-7893	12.000	13.625	0.750	62	21702-4068
11.811	13.386	0.630	53	21086-7893	12.000	13.625	1.437	53R2	22627-7326
11.811	13.386	0.709	59	24700-0134	12.000	13.750	0.688	23	25003-3701
11.811	13.386	0.787	23	25003-4655	12.000	13.750	0.688	26	24600-0985
11.811	13.543	0.787	23	25003-4602	12.000	13.750	0.688	64	21238-3701
11.811	13.543	0.787	59	24700-4056	12.000	13.750	0.750	23	25003-4911
11.811	13.543	0.807	23	25003-8525	12.000	13.875	0.437	23	25003-0623
11.811	13.543	0.807	88	26088-8525	12.000	13.875	0.500	23	25003-0949
11.811	13.543	0.807	88NS	26188-8525	12.000	13.875	1.312	53R2	22627-4884
11.811	13.583	0.866	26R1	24620-1037	12.000	13.937	0.812	23	25003-9148
11.811	13.779	0.750	23	25003-4881	12.000	14.000	0.625	23	25003-3853
11.812	13.312	0.750	23	25003-9491	12.000	14.000	0.625	26	24600-3853
11.813	13.780	1.000	59	24700-0135	12.000	14.000	0.625	59	24700-3853
11.813	13.812	0.625	59	24700-0136	12.000	14.000	0.625	61	24060-3853
11.813	13.813	0.813	23	25003-0697	12.000	14.000	0.687	64	21238-5838
11.813	14.000	0.750	59	24700-0137	12.000	14.000	0.750	23	25003-4071
11.875	12.875	0.500	23	25003-6705	12.000	14.000	0.750	24	25005-4071
11.875	13.375	0.750	23	25003-6328	12.000	14.000	0.750	53	21086-4071
11.875	13.875	0.750	23	25003-9749	12.000	14.000	0.750	26R1	24620-4071
11.906	13.156	0.625	23	25003-6719	12.000	14.000	0.750	64	21238-4071
11.937	13.937	0.750	24	25005-7876	12.000	14.000	0.750	88	26088-4071
11.937	13.938	0.812	23	25003-7105	12.000	14.000	0.750	88NS	26188-4071
11.938	13.438	0.625	23	25003-4604	12.000	14.000	0.812	21	25001-4072
11.938	13.760	0.750	23	25003-4452	12.000	14.000	0.812	23	25003-4072
11.938	13.938	0.625	59	24700-0138	12.000	14.000	0.812	25	25058-4072
11.962	12.687	0.500	23	25003-4785	12.000	14.000	0.812	59	24700-4072
12.000	12.875	0.375	23	25003-1310	12.000	14.000	0.812	62	21702-4072

All dimensions are in inches. Preferred sizes are indicated with **bold** type face. Sizes listed are for standard nitrile elements, except Models 25 and 62 which have PTFE elements. Other material available on inquiry only.

Oil Seals by Shaft Size

Garlock

SHAFT	BORE	WIDTH	MODEL NO.	PART NO.	SHAFT	BORE	WIDTH	MODEL NO.	PART NO.
12.000	14.000	0.812	64	21238-4072	12.250	14.000	0.687	64	21238-4055
12.000	14.000	0.937	59	24700-2980	12.250	14.000	0.750	26	24600-4232
12.000	14.000	1.000	53	21086-3709	12.250	14.000	0.875	59	24700-1869
12.000	14.000	1.000	53F1	22987-3709	12.250	14.125	0.750	23	25003-1710
12.000	14.000	1.250	53F1	22987-7392	12.250	14.250	0.625	59	24700-0152
12.000	14.000	1.375	53R2	22627-7283	12.250	14.250	0.750	23	25003-6829
12.000	14.188	1.000	59	24700-0142	12.250	14.250	0.750	53	21086-6829
12.000	14.250	1.000	53	21086-3710	12.250	14.250	0.750	88	26088-6829
12.000	14.250	1.000	59	24700-3710	12.250	14.250	0.750	88NS	26188-6829
12.000	14.750	0.813	64	21238-3702	12.250	14.250	0.812	23	25003-4075
12.000	14.750	0.875	59	24700-0143	12.250	14.250	0.812	59	24700-1868
12.050	13.313	0.750	59	24700-0144	12.250	14.250	0.812	64	21238-4075
12.062	13.562	0.750	23	25003-7250	12.250	14.250	1.000	53	21086-3713
12.063	13.313	0.750	59	24700-0145	12.250	14.250	1.250	87	26080-1040
12.063	13.625	0.750	21	25001-4441	12.283	13.750	0.688	26	24600-8814
12.063	13.625	0.750	23	25003-4441	12.312	13.937	0.750	23	25003-5558
12.125	13.125	0.500	23	25003-1781	12.318	13.694	0.500	23	25003-0677
12.125	13.375	0.750	23	25003-2395	12.366	14.500	0.750	59	24700-3454
12.125	13.625	0.750	23	25003-7570	12.375	13.375	0.500	26	24600-2007
12.125	13.875	0.687	59	24700-5581	12.375	13.500	1.250	142	21432-1715
12.125	13.875	0.750	59	24700-0146	12.375	13.705	0.375	23	25003-1973
12.125	14.000	0.875	59	24700-0147	12.375	13.875	0.625	23	25003-9301
12.125	14.000	1.000	53	21086-4073	12.375	13.875	0.687	64	21238-4076
12.125	14.125	0.750	23	25003-6484	12.375	13.875	0.688	59	24700-0153
12.147	13.688	0.625	23	25003-0990	12.375	13.875	0.750	23	25003-4077
12.187	13.688	0.625	23	25003-6253	12.375	13.875	0.750	53	21086-4077
12.188	13.438	0.625	59	24700-0148	12.375	13.875	1.437	53R2	22627-4751
12.188	13.688	0.625	59	24700-0149	12.375	14.000	0.687	64	21238-4056
12.188	14.000	0.750	23	25003-0691	12.375	14.000	0.750	59	24700-0154
12.204	13.385	0.590	23	25003-5340	12.375	14.375	0.687	64	21238-4097
12.204	13.780	0.787	59	24700-0999	12.375	14.375	1.000	59	24700-0155
12.205	13.189	0.500	23	25003-5536	12.375	14.500	0.813	64	21238-4106
12.205	13.205	0.500	23	25003-7735	12.375	14.500	0.875	59	24700-0156
12.205	13.780	0.709	23	25003-3093	12.380	14.380	0.812	23	25003-9928
12.205	13.937	0.787	23	25003-2454	12.401	14.173	0.787	23	25003-1108
12.205	13.937	0.787	87	26080-2454	12.402	13.976	0.709	59	24700-4029
12.205	14.173	0.984	59	24700-5693	12.406	13.906	0.750	23	25003-5953
12.208	13.703	0.750	23	25003-6441	12.437	14.000	0.750	23	25003-9396
12.250	13.500	0.750	23	25003-0599	12.438	14.375	0.812	23	25003-1173
12.250	13.750	0.625	26	24600-4041	12.438	14.438	0.812	23	25003-1176
12.250	13.750	0.625	59	24700-4041	12.500	13.375	0.500	23	25003-1984
12.250	13.750	0.687	64	21238-4613	12.500	13.500	0.500	23	25003-5114
12.250	13.750	0.750	23	25003-4074	12.500	13.500	0.500	26	24600-5114
12.250	13.750	0.750	26	24600-4074	12.500	13.500	0.625	23	25003-3712
12.250	13.750	0.750	53	21086-4074	12.500	13.750	0.625	23	25003-8229
12.250	13.750	0.812	62	21702-7381	12.500	13.750	0.625	59	24700-0157
12.250	13.813	0.719	59	24700-0150	12.500	13.875	0.437	23	25003-6449
12.250	13.821	0.719	23	25003-0950	12.500	13.906	0.750	23	25003-8998
12.250	13.821	0.750	23	25003-4895	12.500	14.000	0.625	23	25003-4496
12.250	13.875	0.625	23	25003-3137	12.500	14.000	0.625	26	24600-4496
12.250	14.000	0.625	23	25003-2472	12.500	14.000	0.625	59	24700-4496
12.250	14.000	0.625	59	24700-0151	12.500	14.000	0.625	113	21012-4496

All dimensions are in inches. Preferred sizes are indicated with **bold** type face.

Sizes listed are for standard nitrile elements, except Models 25 and 62 which have PTFE elements. Other material available on inquiry only.

SHAFT	BORE	WIDTH	MODEL NO.	PART NO.	SHAFT	BORE	WIDTH	MODEL NO.	PART NO.
12.500	14.000	0.687	53	21086-4079	12.625	14.125	0.750	23	25003-4086
12.500	14.000	0.687	59	24700-2936	12.625	14.125	0.750	59	24700-4086
12.500	14.000	0.687	64	21238-4079	12.625	14.500	0.687	64	21238-3716
12.500	14.000	0.687	88	26088-4079	12.625	14.500	0.875	59	24700-0164
12.500	14.000	0.687	88NS	26188-4079	12.625	14.625	0.750	23	25003-7279
12.500	14.000	0.688	23	25003-4079	12.625	14.625	0.875	59	24700-0165
12.500	14.000	0.750	23	25003-4080	12.625	14.625	1.000	53	21086-3715
12.500	14.000	0.750	25	25058-4080	12.687	14.687	0.812	23	25003-5669
12.500	14.000	0.750	53	21086-4080	12.687	14.750	0.812	64	21238-9766
12.500	14.000	0.812	23	25003-4591	12.687	14.750	1.000	53	21086-3717
12.500	14.000	1.375	53R2	22627-8716	12.688	14.250	0.750	59	24700-0166
12.500	14.008	0.906	59	24700-4621	12.688	14.750	1.000	59	24700-0167
12.500	14.062	0.625	23	25003-1691	12.750	13.750	0.500	23	25003-7600
12.500	14.062	0.750	21	25001-8589	12.750	14.000	0.500	23	25003-3224
12.500	14.062	0.750	23	25003-8589	12.750	14.000	0.750	23	25003-4788
12.500	14.375	0.750	23	25003-1304	12.750	14.250	0.625	23	25003-4088
12.500	14.500	0.750	23	25003-4082	12.750	14.250	0.625	59	24700-0168
12.500	14.500	0.750	25	25058-4082	12.750	14.250	0.687	64	21238-4089
12.500	14.500	0.750	26	24600-4082	12.750	14.250	0.688	23	25003-4089
12.500	14.500	0.750	59	24700-4082	12.750	14.250	0.750	23	25003-5942
12.500	14.500	0.750	64	21238-4082	12.750	14.250	0.750	26	24600-5942
12.500	14.500	0.812	23	25003-4083	12.750	14.250	0.812	23	25003-2185
12.500	14.500	0.812	62	21702-4083	12.750	14.482	0.787	23	25003-2319
12.500	14.500	0.812	64	21238-4083	12.750	14.500	0.750	23	25003-5917
12.500	14.500	0.906	59	24700-1050	12.750	14.687	0.812	23	25003-0617
12.500	14.500	1.000	53	21086-3714	12.750	14.750	0.687	64	21238-7652
12.500	14.500	1.250	53R2	22627-9419	12.750	14.750	0.750	21	25001-6396
12.500	14.500	1.312	53T2	22897-6527	12.750	14.750	0.750	23	25003-6396
12.500	14.750	1.000	53	21086-4085	12.750	14.750	0.750	59	24700-0169
12.500	14.750	1.000	59	24700-0158	12.750	14.750	0.812	23	25003-2497
12.500	15.000	0.813	59	24700-0159	12.750	15.000	0.813	64	21238-4092
12.500	15.000	0.813	64	21238-4084	12.750	15.000	0.875	59	24700-0170
12.562	14.062	0.750	23	25003-6815	12.750	15.250	0.875	59	24700-0171
12.565	14.063	0.750	59	24700-0160	12.750	15.500	0.875	59	24700-0172
12.579	14.000	0.750	23	25003-1989	12.795	13.669	0.375	23	25003-8261
12.590	14.125	1.000	59	24700-0161	12.795	14.370	0.630	23	25003-3209
12.598	13.583	0.500	23	25003-5576	12.795	14.370	0.630	59	24700-4058
12.598	13.780	0.625	59	24700-0162	12.812	14.812	0.750	23	25003-1016
12.598	13.976	0.630	59	24700-0163	12.875	13.875	0.500	23	25003-1960
12.598	14.095	0.750	23	25003-5667	12.875	14.000	0.750	23	25003-1619
12.598	14.173	0.708	23	25003-1113	12.875	14.375	0.750	23	25003-5939
12.598	14.173	0.708	59	24700-1966	12.875	14.750	0.812	23	25003-6782
12.598	14.173	0.748	23	25003-1712	12.875	14.750	1.000	53	21086-3718
12.598	14.173	0.787	23	25003-1103	12.875	14.750	1.000	59	24700-3718
12.598	14.173	0.787	26	24600-4397	12.875	14.875	0.750	23	25003-8115
12.598	14.173	0.787	59	24700-4397	12.875	15.000	0.750	24	25005-9937
12.598	14.252	0.812	23	25003-1182	12.875	15.000	0.812	64	21238-5404
12.598	14.330	0.787	23	25003-2911	12.875	15.500	0.875	59	24700-0173
12.598	14.331	0.787	26	24600-3721	12.906	14.906	0.750	23	25003-8511
12.625	13.875	0.625	23	25003-7135	12.909	13.872	0.675	23	25003-4791
12.625	14.000	0.750	23	25003-4480	12.922	14.173	0.590	23	25003-5341
12.625	14.125	0.687	64	21238-4081	12.938	14.250	0.625	23	25003-0203

All dimensions are in inches. Preferred sizes are indicated with **bold** type face.
 Sizes listed are for standard nitrile elements, except Models 25 and 62 which have PTFE elements. Other material available on inquiry only.

Oil Seals by Shaft Size

Garlock

SHAFT	BORE	WIDTH	MODEL NO.	PART NO.	SHAFT	BORE	WIDTH	MODEL NO.	PART NO.
12.992	14.173	0.394	23	25003-0590	13.070	14.570	0.750	23	25003-0994
12.992	14.173	0.590	26	24600-5341	13.125	14.625	0.750	23	25003-9258
12.992	14.566	0.708	23	25003-9996	13.125	14.875	0.625	23	25003-9949
12.992	14.566	0.708	59	24700-0174	13.125	15.000	0.750	23	25003-1769
12.992	14.567	0.482	26R1	24620-3235	13.125	15.125	0.750	23	25003-7602
12.992	14.724	0.748	23	25003-3170	13.125	15.125	0.812	23	25003-5783
12.992	14.724	0.787	23	25003-4630	13.187	14.187	0.500	23	25003-8332
12.992	14.724	0.787	59	24700-5525	13.220	14.407	0.625	59	24700-0177
12.992	15.354	0.984	59	24700-1000	13.250	14.250	0.500	23	25003-0489
13.000	14.000	0.500	23	25003-8576	13.250	14.750	0.625	23	25003-6263
13.000	14.000	0.750	142	21432-8296	13.250 14.750 0.625	59	24700-0178		
13.000	14.125	0.546	23	25003-4969	13.250	14.750	0.687	53	21086-4101
13.000	14.125	1.250	142	21432-7729	13.250 14.750 0.687	64	21238-4101		
13.000	14.250	0.625	23	25003-4770	13.250	14.750	0.688	26	24600-2580
13.000	14.375	0.375	23	25003-1698	13.250	14.750	0.750	23	25003-4102
13.000	14.500	0.625	23	25003-7805	13.250	14.750	0.750	53	21086-4102
13.000	14.500	0.625	59	24700-7805	13.250	14.875	0.687	64	21238-7734
13.000	14.500	0.687	23	25003-4093	13.250	14.875	0.750	23	25003-4103
13.000	14.500	0.687	53	21086-4093	13.250	14.875	0.750	53	21086-4103
13.000	14.500	0.687	59	24700-4093	13.250	14.875	0.750	59	24700-0179
13.000 14.500 0.687	64	21238-4093			13.250	15.000	0.687	64	21238-7169
13.000	14.500	0.688	26	24600-4093	13.250	15.000	0.750	59	24700-0180
13.000	14.500	0.750	21	25001-4094	13.250	15.125	0.500	23	25003-4913
13.000	14.500	0.750	23	25003-4094	13.250	15.125	0.687	64	21238-4105
13.000	14.500	0.750	53	21086-4094	13.250	15.125	0.875	59	24700-0181
13.000	14.500	0.812	23	25003-0818	13.250	15.250	0.687	64	21238-6294
13.000	14.500	1.000	53F1	22987-3890	13.250	15.250	0.750	23	25003-6264
13.000	14.606	0.703	23	25003-1242	13.250	15.250	0.750	59	24700-0182
13.000	14.608	0.750	23	25003-1889	13.250	15.250	0.750	88	26088-6264
13.000	14.625	0.750	23	25003-4095	13.250	15.250	0.750	88NS	26188-6264
13.000	14.625	0.750	26	24600-4095	13.250	15.250	0.812	21	25001-4779
13.000	14.625	0.750	53	21086-4095	13.250	15.250	0.812	23	25003-4779
13.000	14.625	0.750	59	24700-4095	13.250	15.250	0.812	64	21238-4779
13.000	14.734	0.703	23	25003-9697	13.250	15.250	1.000	53	21086-4107
13.000	14.750	0.500	23	25003-9255	13.250	15.250	1.000	59	24700-5740
13.000	14.750	0.750	23	25003-7547	13.250	15.375	1.000	53	21086-4109
13.000	14.812	0.625	59	24700-0175	13.250	15.375	1.000	59	24700-0183
13.000	14.825	0.812	23	25003-6168	13.250	15.500	1.000	53	21086-4113
13.000	14.875	0.687	64	21238-4096	13.250	16.000	0.875	59	24700-0184
13.000	14.875	0.875	59	24700-0176	13.312	15.312	0.812	23	25003-7969
13.000	15.000	0.625	23	25003-9598	13.375	14.375	0.500	23	25003-9331
13.000	15.000	0.750	23	25003-4098	13.375	14.625	0.500	23	25003-0944
13.000	15.000	0.750	24	25005-4098	13.375	14.875	0.625	53	21086-4116
13.000	15.000	0.750	26	24600-4098	13.375	14.875	0.750	23	25003-7323
13.000	15.000	0.750	53	21086-4098	13.375	14.875	0.750	59	24700-0185
13.000	15.000	0.750	59	24700-4098	13.375	15.000	0.750	59	24700-0186
13.000	15.000	0.812	21	25001-4099	13.375	15.375	0.812	23	25003-9256
13.000	15.000	0.812	23	25003-4099	13.375	15.375	0.875	59	24700-0187
13.000	15.000	0.812	62	21702-4099	13.383	14.883	0.750	23	25003-4596
13.000 15.000 0.812	64	21238-4099			13.386	14.645	0.630	59	24700-0188
13.000	15.000	1.000	53	21086-3719	13.386	14.882	0.750	23	25003-5664
13.000	15.000	1.375	53R2	22627-6607	13.386	14.886	0.750	23	25003-8701

All dimensions are in inches. Preferred sizes are indicated with **bold** type face.

Sizes listed are for standard nitrile elements, except Models 25 and 62 which have PTFE elements. Other material available on inquiry only.

SHAFT	BORE	WIDTH	MODEL NO.	PART NO.	SHAFT	BORE	WIDTH	MODEL NO.	PART NO.
13.386	14.960	0.688	59	24700-0189	13.625	14.625	0.500	23	25003-5383
13.386	14.961	0.630	53	21086-7896	13.625	14.875	0.687	59	24700-2018
13.386	14.961	0.708	23	25003-0893	13.625	14.875	0.750	23	25003-5825
13.386	14.961	0.709	26	24600-3882	13.625	14.875	0.750	25	25058-5825
13.386	14.961	0.709	59	24700-3882	13.625	15.031	0.750	23	25003-0726
13.386	14.961	0.787	59	24700-5170	13.625	15.500	1.000	59	24700-0196
13.386	15.118	0.787	23	25003-2245	13.625	15.625	0.812	23	25003-9921
13.386	15.157	0.787	23	25003-2286	13.625	16.125	1.250	59	24700-0197
13.469	14.468	0.500	23	25003-5984	13.750	14.750	0.500	21	25001-7175
13.469	14.680	0.500	23	25003-3114	13.750	14.750	0.500	23	25003-7175
13.500	14.500	0.500	23	25003-0986	13.750	14.750	0.750	142	21432-8106
13.500	14.919	0.700	23	25003-2383	13.750	15.000	0.750	23	25003-0453
13.500	15.000	0.625	23	25003-8620	13.750	15.000	0.750	59	24700-0198
13.500	15.000	0.625	59	24700-0190	13.750	15.250	0.500	23	25003-2980
13.500	15.000	0.653	26	24600-5456	13.750	15.250	0.625	59	24700-0199
13.500	15.000	0.653	26R1	24620-5456	13.750	15.250	0.687	53	21086-4529
13.500	15.000	0.687	23	25003-4121	13.750	15.250	0.687	64	21238-4529
13.500	15.000	0.687	53	21086-4121	13.750	15.250	0.750	23	25003-4530
13.500	15.000	0.687	59	24700-4251	13.750	15.250	0.750	26	24600-4530
13.500	15.000	0.687	64	21238-4121	13.750	15.250	0.750	53	21086-4530
13.500	15.000	0.688	88	26088-4121	13.750	15.375	0.750	23	25003-1445
13.500	15.000	0.688	88NS	26188-4121	13.750	15.500	0.750	53	21086-4531
13.500	15.000	0.750	23	25003-4122	13.750	15.500	0.750	59	24700-0200
13.500	15.000	0.750	53	21086-4122	13.750	15.500	0.750	64	21238-4531
13.500	15.250	0.750	53	21086-4124	13.750	15.508	0.750	59	24700-0201
13.500	15.250	0.750	59	24700-0191	13.750	15.750	0.625	59	24700-0202
13.500	15.250	0.750	64	21238-4124	13.750	15.750	0.750	23	25003-4532
13.500	15.312	0.625	59	24700-0192	13.750	15.750	0.750	53	21086-4532
13.500	15.375	0.750	53	21086-4125	13.750	15.750	0.812	23	25003-4129
13.500	15.500	0.688	88	26088-2982	13.750	15.750	0.812	62	21702-4129
13.500	15.500	0.688	88NS	26188-2982	13.750	15.750	0.812	64	21238-4129
13.500	15.500	0.750	23	25003-4127	13.750	15.750	0.969	53F1	22987-5831
13.500	15.500	0.750	26	24600-4127	13.750	15.750	1.000	53	21086-3722
13.500	15.500	0.750	53	21086-4127	13.750	15.750	1.000	59	24700-5711
13.500	15.500	0.750	59	24700-4127	13.750	15.750	1.437	53T2	22897-5304
13.500	15.500	0.812	21	25001-4128	13.750	16.000	0.813	64	21238-4119
13.500	15.500	0.812	23	25003-4128	13.750	16.000	0.875	59	24700-0203
13.500	15.500	0.812	64	21238-4128	13.779	15.276	0.500	23	25003-5477
13.500	15.500	0.875	53	21086-9964	13.779	15.279	0.750	23	25003-9316
13.500	15.500	1.000	53	21086-3721	13.779	15.354	0.630	23	25003-8656
13.500	15.500	1.375	53R1	22537-6154	13.779	15.354	0.709	59	24700-0204
13.500	15.500	1.375	53R2	22627-6154	13.779	15.709	0.787	23	25003-5874
13.500	15.500	1.437	53R1	22537-9039	13.779	15.748	0.669	59	24700-3490
13.500	15.750	0.813	64	21238-4123	13.780	14.961	0.394	23	25003-0591
13.500	15.750	0.875	59	24700-0193	13.780	14.961	0.630	59	24700-3212
13.500	15.752	1.000	59	24700-0194	13.780	14.961	0.787	59	24700-4755
13.500	17.300	1.000	59	24700-0195	13.780	15.512	0.500	23	25003-2109
13.504	15.504	0.812	23	25003-4666	13.780	15.512	0.748	59	24700-5107
13.562	15.062	0.750	23	25003-5659	13.780	15.512	0.787	26	24600-5102
13.580	14.580	0.500	23	25003-5640	13.780	15.512	0.787	59	24700-5102
13.580	15.030	0.750	23	25003-5683	13.780	15.748	0.984	59	24700-3091
13.622	15.122	0.750	23	25003-7019	13.780	16.142	0.787	59	24700-1902

All dimensions are in inches. Preferred sizes are indicated with **bold** type face. Sizes listed are for standard nitrile elements, except Models 25 and 62 which have PTFE elements. Other material available on inquiry only.

Oil Seals by Shaft Size

Garlock

SHAFT	BORE	WIDTH	MODEL NO.	PART NO.	SHAFT	BORE	WIDTH	MODEL NO.	PART NO.
13.780	16.142	0.984	59	24700-5477	14.000	16.000	0.750	59	24700-0217
13.813	16.000	0.812	64	21238-4108	14.000	16.000	0.812	21	25001-4135
13.813	16.000	1.000	59	24700-0205	14.000	16.000	0.812	23	25003-4135
13.850	15.500	0.750	23	25003-6515	14.000	16.000	0.812	64	21238-4135
13.875	15.375	0.750	23	25003-7379	14.000	16.000	1.000	53	21086-3725
13.875	15.500	0.600	23	25003-0690	14.000	16.000	1.375	53R1	22537-4888
13.875	15.875	0.812	23	25003-4137	14.000	16.000	1.375	53R2	22627-4888
13.875	16.000	0.812	64	21238-4110	14.000	16.250	0.812	62	21702-5382
13.875	16.000	1.000	59	24700-0206	14.000	16.250	0.812	64	21238-5382
13.895	15.750	0.750	23	25003-8999	14.000	16.250	1.000	26	24600-3726
13.937	15.437	0.687	21	25001-4130	14.000	16.250	1.000	53	21086-3726
13.937	15.437	0.687	64	21238-4130	14.000	16.250	1.000	59	24700-3726
13.937	15.437	0.750	23	25003-9783	14.000	16.500	0.812	64	21238-7535
13.938	15.438	0.625	59	24700-0207	14.000	16.500	0.813	59	24700-0218
13.938	15.500	0.687	64	21238-4111	14.000	16.500	1.000	53	21086-3727
13.938	15.500	0.750	59	24700-0208	14.000	16.625	0.625	59	24700-0219
13.938	15.744	1.000	59	24700-0210	14.013	15.513	0.750	23	25003-9287
13.938	16.000	0.687	64	21238-4112	14.016	15.000	0.688	26	24600-8815
13.938	16.000	0.875	59	24700-0211	14.028	15.428	0.750	23	25003-1883
13.976	15.551	0.787	59	24700-5441	14.041	15.541	0.625	23	25003-1865
13.980	15.500	0.750	23	25003-6518	14.063	16.062	0.812	23	25003-6778
14.000	15.000	0.500	23	25003-6560	14.094	15.500	0.750	23	25003-0480
14.000	15.125	1.375	142	21432-3099	14.100	15.600	0.750	23	25003-9512
14.000	15.250	0.750	23	25003-8850	14.125	15.625	0.750	23	25003-9687
14.000	15.375	0.531	23	25003-7704	14.125	15.625	0.750	59	24700-3003
14.000	15.500	0.625	23	25003-6303	14.125	16.745	0.875	59	24700-0220
14.000	15.500	0.625	26	24600-0212	14.140	15.640	0.625	23	25003-1287
14.000	15.500	0.625	59	24700-0212	14.166	15.750	0.625	23	25003-5815
14.000	15.500	0.687	23	25003-4131	14.172	16.734	0.844	59	24700-0221
14.000	15.500	0.687	64	21238-4131	14.173	15.354	0.709	23	25003-2066
14.000	15.500	0.750	21	25001-4132	14.173	15.354	0.709	26	24600-0992
14.000	15.500	0.750	23	25003-4132	14.173	15.354	0.709	59	24700-0992
14.000	15.500	0.750	25	25058-4132	14.173	15.590	0.630	23	25003-0963
14.000	15.500	0.750	53	21086-4132	14.173	15.673	0.750	23	25003-5846
14.000	15.500	0.750	62	21702-4132	14.173	15.748	0.630	53	21086-7849
14.000	15.500	1.000	26R1	24620-4129	14.173	15.748	0.709	26	24600-4394
14.000	15.562	0.750	53	21086-4133	14.173	15.748	0.709	59	24700-4394
14.000	15.562	0.750	59	24700-0213	14.173	15.748	0.748	23	25003-9182
14.000	15.563	0.750	23	25003-4133	14.173	15.748	0.787	59	24700-1892
14.000	15.625	0.625	59	24700-0214	14.173	15.906	0.788	87	26080-1202
14.000	15.625	0.812	23	25003-1913	14.177	15.500	0.750	23	25003-0241
14.000	15.750	0.500	23	25003-6324	14.187	16.187	0.812	21	25001-4614
14.000	15.750	0.687	62	21702-5991	14.187	16.732	0.812	64	21238-9280
14.000	15.750	0.687	64	21238-5991	14.188	15.500	0.625	53	21086-4114
14.000	15.750	0.688	59	24700-0215	14.188	15.500	0.688	59	24700-0222
14.000	15.750	0.750	23	25003-4134	14.188	15.750	0.625	53	21086-4117
14.000	15.750	0.750	53	21086-4134	14.188	15.750	0.750	59	24700-0223
14.000	15.750	0.750	64	21238-4134	14.188	16.000	0.875	59	24700-0224
14.000	15.750	0.875	87	26080-9927	14.188	16.188	0.813	59	24700-0225
14.000	15.752	0.813	59	24700-0216	14.188	16.750	0.875	59	24700-0226
14.000	16.000	0.625	23	25003-9763	14.190	15.690	0.625	23	25003-4138
14.000	16.000	0.750	23	25003-6877	14.214	16.214	0.812	23	25003-7898

All dimensions are in inches. Preferred sizes are indicated with **bold** type face.

Sizes listed are for standard nitrile elements, except Models 25 and 62 which have PTFE elements. Other material available on inquiry only.

Garlock

Oil Seals by Shaft Size

SHAFT	BORE	WIDTH	MODEL NO.	PART NO.	SHAFT	BORE	WIDTH	MODEL NO.	PART NO.
14.250	15.750	0.687	64	21238-4118	14.500	16.500	0.750	53	21086-3728
14.250	15.750	0.750	21	25001-5062	14.500	16.500	0.750	59	24700-0234
14.250	15.750	0.750	23	25003-5062	14.500	16.500	0.750	62	21702-3728
14.250	15.750	0.750	59	24700-0227	14.500	16.500	0.812	23	25003-4145
14.250	16.000	0.812	23	25003-4691	14.500	16.500	0.812	62	21702-4145
14.250	16.000	0.875	21	25001-7573	14.500	16.500	0.812	64	21238-4145
14.250	16.000	0.875	59	24700-0228	14.500	16.500	0.812	88	26088-4145
14.250	16.250	0.625	26	24600-3891	14.500	16.500	0.812	88NS	26188-4145
14.250	16.250	0.625	87	26080-3891	14.562	16.000	0.625	26	24600-5987
14.250	16.250	0.750	23	25003-5117	14.562	16.000	0.625	53	21086-5987
14.250	16.250	0.812	21	25001-4140	14.563	16.000	0.625	59	24700-5987
14.250	16.250	0.812	23	25003-4140	14.566	16.141	0.787	26R1	24620-8196
14.250	16.250	0.812	64	21238-4140	14.566	16.181	0.629	23	25003-9993
14.250	16.250	0.813	59	24700-0229	14.567	15.551	0.500	23	25003-5845
14.250	16.500	0.812	64	21238-3855	14.567	16.299	0.787	59	24700-3880
14.250	16.500	0.875	59	24700-0230	14.567	16.339	0.787	59	24700-5694
14.344	16.000	0.687	88	26088-8664	14.567	16.535	0.787	23	25003-1968
14.344	16.000	0.687	88NS	26188-8664	14.580	16.200	0.625	23	25003-2026
14.370	15.866	0.748	23	25003-3250	14.625	16.000	0.625	59	24700-4555
14.370	15.938	0.709	59	24700-0231	14.625	16.125	0.750	23	25003-9732
14.375	15.875	0.750	23	25003-5946	14.625	16.125	0.750	59	24700-0235
14.375	15.875	0.750	59	24700-0232	14.625	16.250	0.687	64	21238-3856
14.375	16.000	0.687	64	21238-5481	14.625	16.250	0.750	23	25003-0756
14.375	16.000	0.688	26	24600-0233	14.625	16.250	0.750	59	24700-0236
14.375	16.000	0.688	59	24700-0233	14.625	16.750	0.812	64	21238-3857
14.375	16.375	0.750	23	25003-5134	14.625	16.750	1.000	59	24700-0237
14.375	16.537	0.590	88	26088-1924	14.687	16.187	0.625	23	25003-6283
14.375	16.537	0.590	88NS	26188-1924	14.687	16.187	0.750	23	25003-9494
14.394	15.394	0.500	23	25003-2700	14.687	16.687	0.812	23	25003-4756
14.438	15.938	0.625	23	25003-0785	14.688	16.188	0.625	59	24700-0238
14.484	15.369	0.500	23	25003-1632	14.750	16.125	0.687	21	25001-8888
14.484	16.312	0.562	23	25003-1631	14.750	16.125	0.687	23	25003-8888
14.488	16.496	0.811	87	26080-2134	14.750	16.125	0.750	23	25003-2067
14.500	15.500	0.500	23	25003-8741	14.750	16.250	0.375	23	25003-9959
14.500	15.750	0.625	23	25003-4699	14.750	16.250	0.625	23	25003-8119
14.500	15.750	0.750	23	25003-1018	14.750	16.250	0.625	59	24700-0239
14.500	16.000	0.562	88	26088-2676	14.750	16.250	0.668	21	25001-9696
14.500	16.000	0.562	88NS	26188-2676	14.750	16.250	0.687	21	25001-4147
14.500	16.000	0.625	23	25003-7149	14.750	16.250	0.687	64	21238-4147
14.500	16.000	0.687	53	21086-4142	14.750	16.250	0.688	23	25003-4147
14.500	16.000	0.687	64	21238-4142	14.750	16.250	0.688	59	24700-4147
14.500	16.000	0.688	23	25003-4142	14.750	16.250	0.750	23	25003-4148
14.500	16.000	0.688	59	24700-4142	14.750	16.500	0.687	23	25003-5990
14.500	16.000	0.688	87	26080-4142	14.750	16.500	0.687	64	21238-5990
14.500	16.000	0.750	21	25001-4143	14.750	16.500	0.688	59	24700-0240
14.500	16.000	0.750	23	25003-4143	14.750	16.500	0.750	23	25003-4149
14.500	16.250	0.625	23	25003-5455	14.750	16.500	0.750	62	21702-4149
14.500	16.250	0.625	59	24700-3866	14.750	16.500	0.812	23	25003-1617
14.500	16.250	0.750	53	21086-4144	14.750	16.500	0.875	88	26088-8794
14.500	16.375	0.812	23	25003-9495	14.750	16.500	0.875	88NS	26188-8794
14.500	16.500	0.625	23	25003-9116	14.750	16.625	0.812	23	25003-3149
14.500	16.500	0.750	23	25003-3728	14.750	16.750	0.750	23	25003-9254

All dimensions are in inches. Preferred sizes are indicated with **bold** type face. Sizes listed are for standard nitrile elements, except Models 25 and 62 which have PTFE elements. Other material available on inquiry only.

Oil Seals by Shaft Size

Garlock

SHAFT	BORE	WIDTH	MODEL NO.	PART NO.	SHAFT	BORE	WIDTH	MODEL NO.	PART NO.
14.750	16.750	0.812	23	25003-9591	15.000	16.772	1.125	26R1	24620-5146
14.760	16.339	0.630	23	25003-6994	15.000	16.875	0.750	53	21086-4154
14.764	16.535	0.787	59	24700-4423	15.000	17.000	0.500	23	25003-4949
14.810	15.685	0.375	23	25003-3262	15.000	17.000	0.625	23	25003-9181
14.875	16.375	0.750	23	25003-8281	15.000	17.000	0.750	21	25001-4155
14.875	16.500	0.687	64	21238-3858	15.000	17.000	0.750	23	25003-4155
14.875	16.500	0.750	23	25003-4414	15.000	17.000	0.750	25	25058-4155
14.875	16.500	0.750	59	24700-0241	15.000	17.000	0.750	26	24600-4155
14.875	16.750	0.687	64	21238-3859	15.000	17.000	0.750	53	21086-4155
14.875	16.750	0.875	59	24700-0242	15.000	17.000	0.750	26R1	24620-4155
14.875	16.875	0.375	23	25003-1454	15.000	17.000	0.750	59	24700-4155
14.875	16.875	0.500	23	25003-9163	15.000	17.000	0.812	21	25001-4156
14.875	16.875	0.812	21	25001-8271	15.000	17.000	0.812	23	25003-4156
14.875	16.875	0.812	23	25003-8271	15.000	17.000	0.812	64	21238-4156
14.875	16.875	0.937	64	21238-2622	15.000	17.000	0.875	53	21086-3730
14.875	16.875	1.000	53	21086-4150	15.000	17.000	1.000	53	21086-3731
14.875	16.875	1.000	59	24700-0243	15.000	17.000	1.187	53F1	22987-8703
14.875	16.875	1.219	53F1	22987-6846	15.000	17.000	1.250	26R1	24620-6117
14.875	17.000	0.812	64	21238-3860	15.000	17.000	1.250	53R2	22627-6117
14.875	17.000	0.875	59	24700-0244	15.000	17.000	1.312	53R2	22627-4894
14.875	17.500	0.875	59	24700-0245	15.000	17.000	1.312	53T2	22897-4894
14.906	17.000	0.812	64	21238-3861	15.000	17.000	1.375	53R1	22537-6354
14.906	17.000	0.875	59	24700-0246	15.000	17.000	1.375	53R2	22627-6354
14.937	16.437	0.750	23	25003-9896	15.000	17.250	0.812	64	21238-8508
14.950	16.500	0.750	23	25003-5475	15.000	17.250	0.875	53	21086-5277
14.960	16.460	0.750	23	25003-5801	15.000	17.500	0.812	64	21238-9637
14.960	17.322	0.984	26R1	24620-5466	15.000	17.500	0.875	59	24700-0250
14.961	16.535	0.625	23	25003-2328	15.000	17.500	0.938	26	24600-3050
14.961	16.535	0.787	23	25003-0614	15.000	17.500	0.938	26R1	24620-3050
14.961	16.535	0.787	59	24700-0247	15.000	17.500	1.250	26	24600-1007
14.961	16.693	0.787	23	25003-4601	15.000	17.500	1.250	26R1	24620-1007
14.961	16.693	0.787	59	24700-4674	15.000	17.750	0.812	64	21238-3862
14.961	17.323	0.984	59	24700-5466	15.000	17.750	0.875	59	24700-0251
15.000	16.000	0.500	23	25003-5508	15.108	16.750	0.750	23	25003-3222
15.000	16.125	0.547	23	25003-4970	15.125	16.125	0.375	23	25003-9279
15.000	16.250	0.625	23	25003-1175	15.125	16.750	0.750	59	24700-0252
15.000	16.250	0.812	23	25003-0662	15.125	17.125	0.625	23	25003-6883
15.000	16.375	0.531	23	25003-3091	15.125	17.125	0.750	23	25003-9906
15.000	16.500	0.625	87	26080-3326	15.156	17.156	0.812	23	25003-6531
15.000	16.500	0.687	53	21086-4151	15.161	16.885	0.812	23	25003-1688
15.000	16.500	0.687	64	21238-4151	15.187	17.187	0.750	23	25003-7814
15.000	16.500	0.688	23	25003-4151	15.191	16.191	0.500	23	25003-0889
15.000	16.500	0.688	59	24700-0248	15.236	16.417	0.591	59	24700-5299
15.000	16.500	0.750	21	25001-4152	15.250	16.250	0.500	23	25003-1918
15.000	16.500	0.750	23	25003-4152	15.250	16.375	1.250	142	21432-2512
15.000	16.500	0.750	24	25005-4152	15.250	16.625	0.531	23	25003-8861
15.000	16.500	0.750	25	25058-4152	15.250	16.750	0.687	62	21702-4615
15.000	16.500	0.750	53	21086-4152	15.250	16.750	0.687	64	21238-4615
15.000	16.750	0.750	23	25003-4153	15.250	16.750	0.688	23	25003-4615
15.000	16.750	0.750	53	21086-4153	15.250	16.750	0.688	59	24700-0253
15.000	16.750	0.750	59	24700-0249	15.250	16.750	0.750	23	25003-7801
15.000	16.750	0.812	23	25003-8123	15.250	16.750	0.750	26	24600-7801

All dimensions are in inches. Preferred sizes are indicated with **bold** type face.

Sizes listed are for standard nitrile elements, except Models 25 and 62 which have PTFE elements. Other material available on inquiry only.

SHAFT	BORE	WIDTH	MODEL NO.	PART NO.	SHAFT	BORE	WIDTH	MODEL NO.	PART NO.
15.250	17.250	0.625	23	25003-6618	15.500	17.500	0.750	59	24700-0261
15.250	17.250	0.625	88	26088-6618	15.500	17.500	0.812	21	25001-4163
15.250	17.250	0.625	88NS	26188-6618	15.500	17.500	0.812	23	25003-4163
15.250	17.250	0.750	21	25001-7539	15.500	17.500	0.812	59	24700-5421
15.250	17.250	0.750	23	25003-7539	15.500	17.500	0.812	64	21238-4163
15.250	17.250	0.750	59	24700-0254	15.500	17.500	0.812	88	26088-4163
15.250	17.250	0.750	88	26088-7539	15.500	17.500	0.812	88NS	26188-4163
15.250	17.250	0.750	88NS	26188-7539	15.500	17.750	0.812	64	21238-6771
15.250	17.250	0.812	23	25003-4476	15.500	17.750	1.000	59	24700-0262
15.250	17.250	0.812	64	21238-4476	15.500	18.000	0.812	64	21238-4168
15.250	17.250	0.875	53	21086-3734	15.500	18.000	1.000	59	24700-0263
15.250	17.250	1.000	53	21086-4157	15.512	16.535	0.500	23	25003-2206
15.312	16.875	0.687	23	25003-4158	15.551	17.283	0.741	26R1	24620-0979
15.312	16.875	0.687	64	21238-4158	15.551	17.283	0.886	26	24600-3867
15.312	17.312	0.687	64	21238-5992	15.565	16.565	0.500	23	25003-7592
15.312	17.312	0.812	23	25003-7708	15.604	16.974	0.625	59	24700-0264
15.313	17.313	0.688	59	24700-0255	15.625	17.125	0.750	23	25003-6455
15.350	16.850	0.750	23	25003-9796	15.625	17.125	0.750	59	24700-0265
15.354	16.535	0.551	23	25003-1608	15.625	17.250	0.750	23	25003-4494
15.354	16.929	0.709	59	24700-5172	15.625	17.625	0.812	23	25003-2619
15.354	16.929	0.750	23	25003-5290	15.625	17.625	0.875	59	24700-0266
15.354	16.929	0.787	26	24600-4941	15.740	17.250	0.688	59	24700-0267
15.354	17.086	0.787	23	25003-1767	15.748	17.244	0.750	23	25003-5666
15.354	17.087	0.787	59	24700-5281	15.748	17.322	0.787	26	24600-4396
15.354	17.323	0.787	59	24700-3950	15.748	17.322	0.787	59	24700-4396
15.354	17.323	0.984	59	24700-4936	15.748	17.323	0.630	59	24700-5064
15.354	17.717	0.984	59	24700-2049	15.748	17.480	0.662	23	25003-8702
15.359	16.890	0.750	23	25003-5718	15.748	17.480	0.787	23	25003-4629
15.359	17.709	0.906	59	24700-0256	15.748	17.480	0.787	26	24600-1332
15.359	17.717	0.687	64	21238-4166	15.748	17.480	0.787	59	24700-1332
15.375	16.250	0.437	23	25003-1293	15.748	17.480	0.787	87	26080-4629
15.375	16.500	1.250	142	21432-4753	15.748	17.716	0.687	64	21238-4169
15.375	16.750	0.750	23	25003-0450	15.748	17.716	0.689	59	24700-0268
15.375	16.875	0.750	23	25003-7239	15.748	17.716	0.709	23	25003-2389
15.375	17.125	0.812	23	25003-1013	15.748	17.716	0.748	59	24700-2726
15.375	17.250	0.687	64	21238-4167	15.748	17.716	0.761	59	24700-4429
15.375	17.250	0.750	59	24700-0257	15.748	17.717	0.787	23	25003-2069
15.375	17.375	0.688	59	24700-0258	15.748	17.717	0.812	23	25003-2275
15.375	17.375	0.812	23	25003-4159	15.748	17.748	0.750	23	25003-8713
15.375	17.375	0.812	64	21238-4159	15.748	18.110	0.984	26R1	24620-5467
15.375	17.375	1.000	53	21086-4160	15.750	16.750	0.500	23	25003-6873
15.438	16.938	0.750	23	25003-1449	15.750	16.875	0.625	23	25003-7091
15.472	17.502	0.708	59	24700-0259	15.750	16.875	1.250	142	21432-6430
15.500	16.500	0.500	23	25003-4625	15.750	16.948	0.750	23	25003-1992
15.500	16.875	0.625	59	24700-0260	15.750	17.000	0.625	59	24700-0269
15.500	17.000	0.750	21	25001-4162	15.750	17.250	0.562	23	25003-7858
15.500	17.000	0.750	23	25003-4162	15.750	17.250	0.578	23	25003-5530
15.500	17.000	0.750	26	24600-4162	15.750	17.250	0.687	64	21238-4170
15.500	17.000	0.750	59	24700-4162	15.750	17.250	0.687	87	26080-4170
15.500	17.250	0.750	23	25003-6562	15.750	17.250	0.687	88	26088-4170
15.500	17.375	0.812	23	25003-0432	15.750	17.250	0.687	88NS	26188-4170
15.500	17.500	0.750	23	25003-7431	15.750	17.250	0.688	59	24700-0270

All dimensions are in inches. Preferred sizes are indicated with **bold** type face. Sizes listed are for standard nitrile elements, except Models 25 and 62 which have PTFE elements. Other material available on inquiry only.

Oil Seals by Shaft Size

Garlock

SHAFT	BORE	WIDTH	MODEL NO.	PART NO.	SHAFT	BORE	WIDTH	MODEL NO.	PART NO.
15.750	17.250	0.750	23	25003-9595	16.000	18.000	0.875	26	24600-5077
15.750	17.250	0.750	62	21702-9595	16.000	18.000	0.875	64	21238-5077
15.750	17.312	0.687	64	21238-9271	16.000	18.000	0.875	87	26080-5077
15.750	17.500	0.687	64	21238-4171	16.000	18.000	1.000	53	21086-3736
15.750	17.500	0.688	59	24700-0271	16.000	18.500	0.812	64	21238-5995
15.750	17.500	0.750	23	25003-7442	16.000	18.500	0.813	59	24700-0281
15.750	17.500	0.812	23	25003-5865	16.062	17.062	0.500	23	25003-5599
15.750	17.750	0.687	64	21238-6874	16.094	17.500	0.750	23	25003-0479
15.750	17.750	0.812	23	25003-6769	16.110	18.110	0.787	23	25003-2808
15.750	17.750	0.875	59	24700-0273	16.125	17.125	0.500	23	25003-5867
15.750	18.000	0.812	64	21238-4172	16.125	18.125	0.750	23	25003-6878
15.750	18.000	0.875	59	24700-0274	16.125	18.125	0.812	23	25003-5819
15.750	18.500	1.000	64	21238-4175	16.141	18.141	0.812	23	25003-5803
15.784	17.000	0.500	23	25003-0800	16.142	17.142	0.750	142	21432-9816
15.785	17.785	0.812	23	25003-6353	16.142	17.717	0.787	59	24700-4512
15.812	17.437	0.812	23	25003-8847	16.142	18.110	0.866	26	24600-4015
15.875	17.375	0.750	23	25003-4664	16.187	17.437	0.750	23	25003-2491
15.875	17.500	0.750	59	24700-2493	16.187	18.187	0.812	23	25003-9484
15.875	17.750	0.875	21	25001-4795	16.225	17.725	0.750	23	25003-9286
15.875	17.875	0.750	59	24700-0275	16.250	17.250	0.500	23	25003-5039
15.875	17.875	0.812	23	25003-4176	16.250	17.250	0.750	142	21432-8556
15.875	17.875	0.812	64	21238-4176	16.250	17.750	0.625	59	24700-0282
15.937	17.437	0.750	23	25003-1439	16.250	17.750	0.680	26	24600-5120
15.937	17.937	0.750	23	25003-7425	16.250	17.750	0.687	23	25003-4181
15.938	17.313	0.625	59	24700-0276	16.250	17.750	0.687	53	21086-4181
15.938	18.000	0.750	59	24700-2022	16.250	17.750	0.687	59	24700-1020
16.000	17.000	0.500	23	25003-9077	16.250	17.750	0.687	64	21238-4181
16.000	17.000	0.750	142	21432-7536	16.250	17.750	0.687	88	26088-4181
16.000	17.406	0.609	23	25003-7601	16.250	17.750	0.687	88NS	26188-4181
16.000	17.500	0.687	53	21086-4177	16.250	17.750	0.750	23	25003-4182
16.000	17.500	0.687	64	21238-4177	16.250	17.750	0.750	53	21086-4182
16.000	17.500	0.687	87	26080-4177	16.250	17.750	1.281	53R2	22627-4650
16.000	17.500	0.688	59	24700-0277	16.250	17.750	1.281	53T2	22897-4650
16.000	17.500	0.750	21	25001-4178	16.250	18.000	0.625	59	24700-0283
16.000	17.500	0.750	23	25003-4178	16.250	18.000	0.687	64	21238-8217
16.000	17.500	0.750	25	25058-4178	16.250	18.000	0.750	23	25003-4184
16.000	17.500	0.750	26	24600-4178	16.250	18.000	0.750	53	21086-4184
16.000	17.500	0.750	53	21086-4178	16.250	18.000	0.750	64	21238-4184
16.000	17.625	0.687	64	21238-4173	16.250	18.000	0.812	23	25003-9285
16.000	17.625	0.750	59	24700-0278	16.250	18.000	1.000	53	21086-3737
16.000	17.750	0.750	23	25003-6821	16.250	18.250	0.687	64	21238-9892
16.000	17.875	0.750	23	25003-1032	16.250	18.250	0.750	23	25003-6657
16.000	18.000	0.500	24	25005-6693	16.250	18.250	0.812	21	25001-6397
16.000	18.000	0.750	23	25003-5116	16.250	18.250	0.812	23	25003-6397
16.000	18.000	0.750	59	24700-0279	16.250	18.250	1.000	59	24700-0284
16.000	18.000	0.750	88	26088-5116	16.250	18.500	0.812	59	24700-3042
16.000	18.000	0.750	88NS	26188-5116	16.250	18.500	0.812	64	21238-4174
16.000	18.000	0.812	21	25001-4180	16.250	18.500	1.250	59	24700-0285
16.000	18.000	0.812	23	25003-4180	16.299	18.268	0.812	23	25003-1280
16.000	18.000	0.812	26	24600-4180	16.339	18.307	0.787	59	24700-4002
16.000	18.000	0.812	59	24700-4180	16.350	17.350	0.500	23	25003-9296
16.000	18.000	0.812	64	21238-4180	16.375	17.375	0.500	23	25003-6984

All dimensions are in inches. Preferred sizes are indicated with **bold** type face.

Sizes listed are for standard nitrile elements, except Models 25 and 62 which have PTFE elements. Other material available on inquiry only.

SHAFT	BORE	WIDTH	MODEL NO.	PART NO.	SHAFT	BORE	WIDTH	MODEL NO.	PART NO.
16.375	17.875	0.687	64	21238-4179	16.750	18.250	0.750	23	25003-8295
16.375	17.875	0.750	23	25003-5178	16.750	18.500	0.687	59	24700-4534
16.375	17.875	0.750	59	24700-0286	16.750	18.500	0.875	59	24700-0297
16.375	18.375	0.812	23	25003-9757	16.750	18.750	0.750	21	25001-6398
16.375	18.375	1.000	59	24700-0287	16.750	18.750	0.750	23	25003-6398
16.500	17.500	0.500	23	25003-5747	16.750	18.750	0.812	23	25003-9752
16.500	17.750	0.750	23	25003-3868	16.750	19.000	0.812	64	21238-3748
16.500	17.750	0.750	26	24600-3868	16.750	19.000	0.875	59	24700-0298
16.500	17.750	0.750	59	24700-3868	16.875	18.875	0.812	23	25003-9303
16.500	17.875	0.750	23	25003-2781	16.929	17.929	0.500	23	25003-6933
16.500	18.000	0.687	64	21238-9863	16.929	18.429	0.750	23	25003-5850
16.500	18.000	0.750	23	25003-4185	16.929	18.504	0.787	23	25003-4510
16.500	18.000	0.750	53	21086-4185	16.929	18.504	0.787	59	24700-4252
16.500	18.000	0.750	59	24700-0289	16.929	18.897	0.787	23	25003-5029
16.500	18.250	0.750	59	24700-0290	16.929	18.898	0.866	59	24700-3740
16.500	18.500	0.750	23	25003-6697	16.929	18.903	0.969	59	24700-0299
16.500	18.500	0.750	25	25058-6697	16.937	19.291	0.812	64	21238-9695
16.500	18.500	0.750	53	21086-6697	17.000	17.906	0.500	23	25003-1126
16.500	18.500	0.750	59	24700-0291	17.000	18.000	0.500	23	25003-1976
16.500	18.500	0.812	23	25003-4186	17.000	18.125	0.547	21	25001-4971
16.500	18.500	0.812	59	24700-2565	17.000	18.125	0.547	23	25003-4971
16.500	18.500	0.812	62	21702-4186	17.000	18.125	0.562	23	25003-9114
16.500	18.500	0.812	64	21238-4186	17.000	18.250	0.500	23	25003-3247
16.500	18.500	0.812	88	26088-4186	17.000	18.250	0.562	21	25001-8423
16.500	18.500	0.812	88NS	26188-4186	17.000	18.250	0.625	23	25003-8780
16.500	18.500	0.875	21	25001-5038	17.000	18.250	0.625	26	24600-3793
16.500	18.500	1.000	53	21086-3738	17.000	18.250	0.625	59	24700-3793
16.500	19.000	0.812	64	21238-4183	17.000	18.250	0.750	23	25003-1923
16.500	19.000	0.875	59	24700-0293	17.000	18.500	0.625	23	25003-2683
16.530	17.854	0.500	23	25003-2640	17.000	18.500	0.625	59	24700-0300
16.531	18.031	0.750	23	25003-5725	17.000	18.500	0.687	23	25003-4188
16.531	18.504	0.866	59	24700-1331	17.000	18.500	0.687	59	24700-4188
16.535	17.913	0.787	23	25003-2625	17.000	18.500	0.687	64	21238-4188
16.535	18.035	0.750	23	25003-7127	17.000	18.500	0.687	88	26088-4188
16.535	18.102	0.787	59	24700-0294	17.000	18.500	0.687	88NS	26188-4188
16.535	18.110	0.787	23	25003-8504	17.000	18.500	0.720	23	25003-1459
16.535	18.110	0.787	59	24700-0295	17.000	18.500	0.750	21	25001-4189
16.535	18.504	0.741	23	25003-8705	17.000	18.500	0.750	23	25003-4189
16.535	18.504	0.750	23	25003-4521	17.000	18.500	0.750	25	25058-4189
16.535	18.504	0.875	64	21238-1929	17.000	18.750	0.750	59	24700-3741
16.535	18.897	0.984	26R1	24620-5468	17.000	19.000	0.625	26	24600-4977
16.535	18.898	1.102	26R1	24620-1038	17.000	19.000	0.750	23	25003-5168
16.625	17.625	0.500	23	25003-5827	17.000	19.000	0.750	59	24700-0301
16.625	18.125	0.750	23	25003-8981	17.000	19.000	0.750	87	26080-5168
16.625	18.500	0.750	23	25003-2944	17.000	19.000	0.812	23	25003-4190
16.625	18.625	0.812	23	25003-6601	17.000	19.000	0.812	59	24700-1867
16.687	18.031	0.750	26	24600-3635	17.000	19.000	0.812	62	21702-4190
16.733	18.700	0.788	23	25003-9529	17.000	19.000	0.812	64	21238-4190
16.750	17.875	1.312	142	21432-7886	17.000	19.000	0.875	21	25001-4712
16.750	18.000	0.750	23	25003-3223	17.000	19.000	1.000	59	24700-0782
16.750	18.250	0.687	59	24700-0296	17.000	19.250	0.812	64	21238-4191
16.750	18.250	0.687	64	21238-3744	17.000	19.250	1.000	59	24700-0302

All dimensions are in inches. Preferred sizes are indicated with **bold** type face. Sizes listed are for standard nitrile elements, except Models 25 and 62 which have PTFE elements. Other material available on inquiry only.

Oil Seals by Shaft Size

Garlock

SHAFT	BORE	WIDTH	MODEL NO.	PART NO.	SHAFT	BORE	WIDTH	MODEL NO.	PART NO.
17.000	19.500	0.812	64	21238-3750	17.500	19.500	0.750	23	25003-7625
17.000	19.500	0.875	59	24700-0304	17.500	19.500	0.812	23	25003-9601
17.125	18.125	0.500	23	25003-9273	17.500	19.750	0.750	59	24700-0310
17.125	18.625	0.750	23	25003-6626	17.500	19.750	0.812	64	21238-4197
17.125	19.125	0.812	23	25003-5983	17.500	20.522	1.500	59	24700-0311
17.126	19.094	0.787	87	26080-1387	17.525	18.525	0.500	23	25003-7589
17.190	19.190	0.812	23	25003-4588	17.559	19.135	0.630	88	26088-4704
17.250	18.500	0.625	23	25003-1125	17.559	19.135	0.630	88NS	26188-4704
17.250	18.750	0.625	23	25003-4663	17.562	19.062	0.750	23	25003-5534
17.250	18.750	0.687	64	21238-3751	17.625	18.500	0.375	23	25003-5172
17.250	18.750	0.750	23	25003-6967	17.625	19.125	0.750	59	24700-0312
17.250	18.750	0.750	59	24700-0305	17.625	19.250	0.687	64	21238-4199
17.250	18.750	0.750	64	21238-6967	17.625	19.250	0.688	59	24700-0313
17.250	19.250	0.750	23	25003-5877	17.625	19.375	0.750	23	25003-1158
17.250	19.250	0.812	23	25003-8191	17.625	19.375	0.750	59	24700-0314
17.250	19.250	0.875	26	24600-3055	17.625	19.625	0.687	64	21238-6850
17.250	19.250	0.937	53	21086-4192	17.625	19.625	0.688	59	24700-0315
17.250	19.250	0.938	59	24700-0306	17.625	19.625	0.812	23	25003-9421
17.313	18.313	0.500	23	25003-4374	17.687	19.187	1.000	142	21432-2015
17.322	18.822	0.750	23	25003-6812	17.716	19.291	0.787	59	24700-3943
17.322	18.897	0.787	26	24600-4393	17.716	19.685	0.812	23	25003-1179
17.323	18.898	0.787	23	25003-4393	17.716	19.716	0.812	23	25003-9479
17.323	18.898	0.787	59	24700-4393	17.717	18.898	0.500	23	25003-0510
17.323	19.291	0.866	59	24700-4673	17.717	19.409	0.787	23	25003-9925
17.323	19.323	0.750	23	25003-0620	17.717	19.685	0.811	21	25001-3111
17.332	18.832	0.750	23	25003-9315	17.717	20.079	0.984	59	24700-5464
17.360	19.360	0.812	23	25003-4351	17.719	18.901	0.578	23	25003-5964
17.375	18.875	0.750	23	25003-9338	17.719	19.219	0.750	23	25003-5594
17.400	19.400	0.812	23	25003-2499	17.750	18.750	0.500	23	25003-9581
17.406	18.406	0.500	23	25003-7043	17.750	19.000	0.750	23	25003-4523
17.500	18.500	0.500	23	25003-9261	17.750	19.250	0.750	23	25003-6615
17.500	18.625	1.250	142	21432-4716	17.750	19.373	0.750	23	25003-0477
17.500	18.650	0.531	23	25003-4376	17.750	19.750	0.750	59	24700-0316
17.500	18.750	0.500	23	25003-2021	17.750	19.750	0.812	23	25003-4200
17.500	18.906	0.766	23	25003-2018	17.750	19.750	0.812	64	21238-4200
17.500	19.000	0.625	23	25003-4403	17.750	19.750	1.000	25	25058-4201
17.500	19.000	0.625	59	24700-0307	17.750	19.750	1.000	53	21086-4201
17.500	19.000	0.687	53	21086-4194	17.750	20.078	0.875	64	21238-9084
17.500	19.000	0.687	64	21238-4194	17.750	20.089	1.000	53	21086-4202
17.500	19.000	0.750	23	25003-4195	17.750	20.089	1.000	59	24700-0317
17.500	19.000	0.750	53	21086-4195	17.795	19.795	0.812	23	25003-4667
17.500	19.000	0.750	62	21702-4195	17.818	19.750	0.750	59	24700-0318
17.500	19.000	0.812	23	25003-4589	17.818	20.500	1.000	59	24700-0319
17.500	19.250	0.625	23	25003-8476	17.874	19.874	0.843	59	24700-4600
17.500	19.250	0.687	64	21238-5054	17.875	18.875	0.500	23	25003-4815
17.500	19.250	0.688	59	24700-5054	17.875	19.500	0.625	59	24700-0320
17.500	19.250	0.750	23	25003-4196	17.875	19.875	0.750	59	24700-0321
17.500	19.250	0.750	53	21086-4196	17.875	19.875	0.812	23	25003-4204
17.500	19.500	0.687	59	24700-4198	17.875	19.875	0.812	64	21238-4204
17.500	19.500	0.687	64	21238-4198	17.900	19.400	0.750	23	25003-5613
17.500	19.500	0.688	23	25003-4198	17.938	19.313	0.812	23	25003-0716
17.500	19.500	0.688	59	24700-0309	17.992	20.000	0.748	26R1	24620-2135

All dimensions are in inches. Preferred sizes are indicated with **bold** type face.

Sizes listed are for standard nitrile elements, except Models 25 and 62 which have PTFE elements. Other material available on inquiry only.

SHAFT	BORE	WIDTH	MODEL NO.	PART NO.	SHAFT	BORE	WIDTH	MODEL NO.	PART NO.
18.000	19.000	0.500	23	25003-7487	18.120	20.500	0.875	64	21238-3754
18.000	19.125	1.250	142	21432-5147	18.120	20.500	1.000	59	24700-0328
18.000	19.438	0.500	23	25003-2193	18.125	19.625	0.750	23	25003-5680
18.000	19.500	0.687	53	21086-4206	18.125	19.750	0.750	23	25003-1115
18.000	19.500	0.687	64	21238-4206	18.125	20.500	0.875	64	21238-3756
18.000	19.500	0.688	23	25003-4206	18.125	20.500	1.000	59	24700-0329
18.000	19.500	0.688	59	24700-0322	18.250	19.375	1.250	142	21432-8440
18.000	19.500	0.750	23	25003-2741	18.250	19.750	0.687	64	21238-3757
18.000	19.500	0.750	23	25003-3741	18.250	19.750	0.750	21	25001-4211
18.000	19.500	0.750	25	25058-3741	18.250	19.750	0.750	23	25003-4211
18.000	19.500	0.750	53	21086-3741	18.250	19.750	0.750	59	24700-0330
18.000	19.500	0.750	59	24700-2691	18.250	19.867	1.000	59	24700-0331
18.000	19.500	0.750	62	21702-3741	18.250	19.875	0.687	64	21238-3765
18.000	19.500	0.812	23	25003-8691	18.250	19.875	0.750	21	25001-4212
18.000	19.500	1.000	142	21432-7615	18.250	19.875	0.750	23	25003-4212
18.000	19.500	1.250	53R2	22627-7404	18.250	19.875	1.000	59	24700-0332
18.000	19.625	0.812	21	25001-6938	18.250	20.250	0.812	23	25003-7618
18.000	19.750	0.687	64	21238-5728	18.250	20.250	0.812	26	24600-7618
18.000	19.750	0.750	21	25001-4207	18.375	19.875	0.687	23	25003-4213
18.000	19.750	0.750	59	24700-0323	18.375	19.875	0.687	64	21238-4213
18.000	19.750	0.812	21	25001-7413	18.375	19.875	0.688	59	24700-0333
18.000	19.750	0.812	23	25003-7413	18.375	19.875	0.750	23	25003-6132
18.000	19.875	0.687	64	21238-4203	18.375	19.937	0.687	64	21238-7103
18.000	19.875	0.750	59	24700-0324	18.375	19.938	0.625	59	24700-0334
18.000	20.000	0.625	26	24600-0983	18.375	20.000	0.750	59	24700-0335
18.000	20.000	0.750	23	25003-4209	18.375	20.000	0.750	64	21238-4215
18.000	20.000	0.750	59	24700-0325	18.375	20.375	0.812	23	25003-6740
18.000	20.000	0.750	64	21238-4209	18.375	20.375	0.812	64	21238-6740
18.000	20.000	0.812	21	25001-6399	18.375	20.375	0.875	59	24700-0336
18.000	20.000	0.812	23	25003-6399	18.375	20.500	0.750	64	21238-3767
18.000	20.000	0.875	64	21238-4210	18.375	20.500	0.875	59	24700-0337
18.000	20.000	0.875	88	26088-4210	18.437	20.500	0.812	21	25001-2087
18.000	20.000	0.875	88NS	26188-4210	18.449	19.449	0.500	23	25003-2697
18.000	20.000	1.000	26	24600-3742	18.500	19.500	0.500	23	25003-5820
18.000	20.000	1.000	53	21086-3742	18.500	19.625	1.250	142	21432-6737
18.000	20.000	1.750	53R2	22627-9423	18.500	19.875	0.750	23	25003-7700
18.000	20.000	1.812	53T2	22897-6793	18.500	20.000	0.687	64	21238-3768
18.000	20.250	0.812	21	25001-9083	18.500	20.000	0.750	23	25003-9881
18.000	20.250	1.000	53	21086-7664	18.500	20.000	0.750	59	24700-0338
18.000	20.500	0.812	25	25058-6974	18.500	20.250	0.687	64	21238-3772
18.000	20.500	0.875	64	21238-3752	18.500	20.250	0.750	59	24700-0339
18.000	20.500	1.250	59	24700-0326	18.500	20.500	0.750	23	25003-7059
18.000	21.000	0.688	59	24700-0327	18.500	20.500	0.750	26	24600-7059
18.000	21.000	0.875	64	21238-3753	18.500	20.500	0.750	26R1	24620-7059
18.031	20.031	0.812	23	25003-5432	18.500	20.500	0.750	59	24700-7059
18.062	20.062	0.812	23	25003-5769	18.500	20.500	0.812	23	25003-6408
18.110	19.685	0.787	59	24700-4508	18.500	20.500	0.812	25	25058-6408
18.110	19.843	0.787	23	25003-0518	18.500	20.500	0.875	59	24700-4216
18.110	20.078	0.787	23	25003-1237	18.500	20.500	0.875	62	21702-4216
18.110	20.078	0.866	59	24700-4486	18.500	20.500	0.875	64	21238-4216
18.110	20.079	0.866	26	24600-4486	18.500	20.500	1.000	25	25058-3745
18.110	20.110	0.812	23	25003-5431	18.504	20.472	0.741	23	25003-8695

All dimensions are in inches. Preferred sizes are indicated with **bold** type face. Sizes listed are for standard nitrile elements, except Models 25 and 62 which have PTFE elements. Other material available on inquiry only.

Oil Seals by Shaft Size

Garlock

SHAFT	BORE	WIDTH	MODEL NO.	PART NO.	SHAFT	BORE	WIDTH	MODEL NO.	PART NO.
18.504	20.866	0.984	59	24700-4255	19.188	20.938	0.625	23	25003-9943
18.562	19.562	0.500	23	25003-5506	19.250	20.250	0.500	23	25003-2728
18.625	19.875	0.750	23	25003-6305	19.250	20.750	0.750	23	25003-4617
18.625	20.625	0.812	23	25003-5130	19.250	20.750	0.750	59	24700-0348
18.750	19.750	0.500	23	25003-9979	19.250	20.750	0.750	64	21238-4617
18.750	20.250	0.500	23	25003-2337	19.250	21.000	0.750	59	24700-0349
18.750	20.250	0.750	23	25003-4217	19.250	21.000	0.750	64	21238-3777
18.750	20.250	0.750	59	24700-0340	19.250	21.000	0.812	23	25003-4225
18.750	20.250	0.812	21	25001-9477	19.250	21.250	0.750	59	24700-0350
18.750	20.250	0.812	23	25003-9477	19.250	21.250	0.750	64	21238-5485
18.750	20.250	1.000	142	21432-7607	19.250	21.250	0.812	23	25003-6079
18.750	20.500	0.750	59	24700-0341	19.291	20.866	0.787	59	24700-3133
18.750	20.750	0.750	59	24700-0343	19.291	21.260	0.787	23	25003-1298
18.750	20.750	0.750	142	21432-9561	19.291	21.260	0.866	26	24600-4856
18.750	20.750	0.812	23	25003-9940	19.375	20.375	0.500	23	25003-4535
18.750	20.750	0.875	62	21702-7225	19.375	21.000	0.750	59	24700-5079
18.818	20.818	0.812	23	25003-9492	19.375	21.000	0.813	59	24700-0352
18.875	20.875	0.812	23	25003-9742	19.375	21.375	0.812	23	25003-9734
18.897	20.464	0.787	59	24700-0344	19.500	20.500	0.500	23	25003-5262
18.898	20.472	0.787	23	25003-7281	19.500	21.000	0.750	23	25003-3779
18.897	20.472	0.787	64	21238-7281	19.500	21.000	0.750	59	24700-0354
18.898	20.472	0.787	26	24600-7281	19.500	21.000	0.750	64	21238-3779
18.898	20.866	0.787	23	25003-8299	19.500	21.250	0.813	23	25003-5699
18.898	20.866	0.787	59	24700-1247	19.500	21.500	0.500	23	25003-4739
18.898	20.867	0.812	23	25003-0639	19.500	21.500	0.625	23	25003-1376
18.937	20.937	0.812	23	25003-5099	19.500	21.500	0.750	59	24700-0355
19.000	20.000	0.500	23	25003-5158	19.500	21.500	0.750	87	26080-6980
19.000	20.125	0.547	23	25003-4673	19.500 21.500 0.750	88	26088-6980		
19.000	20.204	0.531	23	25003-9644	19.500	21.500	0.750	88NS	26188-6980
19.000	20.500	0.750	23	25003-4218	19.500	21.500	0.812	21	25001-8446
19.000	20.500	0.750	59	24700-0345	19.500	21.500	0.812	23	25003-8446
19.000 20.500 0.750	64	21238-4218			19.500	21.500	0.812	23	25003-8446
19.000	20.500	0.750	87	26080-4218	19.500	21.500	0.875	26	24600-4221
19.000 20.500 0.750	88	26088-4218			19.500 21.500 0.875	64	21238-4221		
19.000	20.500	0.750	88NS	26188-4218	19.500	21.688	0.750	59	24700-0356
19.000	21.000	0.500	23	25003-4741	19.500	21.688	0.875	64	21238-3783
19.000	21.000	0.750	23	25003-9115	19.500	21.750	0.875	59	24700-4646
19.000	21.000	0.812	21	25001-6508	19.606	21.575	0.812	23	25003-6791
19.000	21.000	0.812	23	25003-6508	19.625	21.079	0.531	23	25003-0753
19.000	21.000	0.812	25	25058-6508	19.625	21.080	0.500	23	25003-2620
19.000	21.000	0.812	59	24700-6508	19.625	21.125	0.500	23	25003-1780
19.000	21.000	0.875	59	24700-0346	19.625	21.375	0.750	23	25003-1773
19.000	21.000	0.875	62	21702-4219	19.625	21.625	0.812	23	25003-4678
19.000 21.000 0.875	64	21238-4219			19.625	21.625	0.812	59	24700-2654
19.000	21.500	0.750	59	24700-0347	19.674	21.674	0.812	23	25003-1991
19.000	21.500	0.875	23	25003-3773	19.685	20.866	0.590	26	24600-2504
19.000	21.500	0.875	64	21238-3773	19.685	21.260	0.787	59	24700-4047
19.125	20.125	0.500	23	25003-5271	19.685	21.457	0.787	23	25003-2484
19.125	21.125	0.812	23	25003-8719	19.685	21.654	0.787	87	26080-1383
19.125	21.125	0.812	59	24700-4879	19.685	21.654	0.866	59	24700-1246
19.187	21.187	0.812	23	25003-9349	19.685	21.685	0.812	23	25003-8634
19.188	20.938	0.625	23	25003-4493	19.687	21.187	0.750	23	25003-5904
					19.687	21.673	0.812	23	25003-1866

All dimensions are in inches. Preferred sizes are indicated with **bold** type face.

Sizes listed are for standard nitrile elements, except Models 25 and 62 which have PTFE elements. Other material available on inquiry only.

SHAFT	BORE	WIDTH	MODEL NO.	PART NO.	SHAFT	BORE	WIDTH	MODEL NO.	PART NO.
19.688	21.688	0.812	23	25003-2439	20.078	22.078	0.812	23	25003-5802
19.750	20.750	0.500	23	25003-4525	20.079	21.260	0.433	26	24600-5714
19.750	21.250	0.750	23	25003-1038	20.111	22.111	0.812	23	25003-1181
19.750	21.750	0.812	21	25001-6426	20.125	22.125	0.750	23	25003-6718
19.750	21.750	0.812	23	25003-6426	20.125	22.125	0.812	23	25003-6710
19.750	21.750	0.875	59	24700-0357	20.143	22.250	0.875	64	21238-3792
19.750	21.750	0.875	64	21238-4228	20.187	22.187	0.812	23	25003-7195
19.750	22.125	0.875	64	21238-7400	20.236	22.236	0.812	23	25003-7822
19.750	22.250	0.875	59	24700-0358	20.250	21.250	0.500	23	25003-9478
19.750	22.250	0.875	64	21238-3785	20.250	21.750	0.750	23	25003-4239
19.875	21.875	0.812	23	25003-5291	20.250	21.750	0.750	59	24700-0366
19.875	22.000	0.875	59	24700-0359	20.250	21.750	0.750	64	21238-4239
19.875	22.000	0.875	64	21238-3788	20.250	21.750	0.750	88	26088-4239
19.881	21.881	0.812	23	25003-5849	20.250	21.750	0.750	88NS	26188-4239
19.937	21.187	0.625	23	25003-8848	20.250	22.245	0.875	64	21238-8231
19.937	21.687	0.625	64	21238-4233	20.250	22.250	0.812	23	25003-4926
19.938	21.500	0.750	59	24700-0360	20.250	22.250	0.875	59	24700-0367
19.938	21.500	0.750	64	21238-3789	20.250	22.250	0.875	64	21238-4240
19.938	21.688	0.625	59	24700-3220	20.250	22.375	0.750	64	21238-4241
19.938	21.688	0.750	59	24700-1989	20.250	22.375	1.000	59	24700-0368
19.983	21.125	0.625	26	24600-2511	20.250	22.500	0.875	59	24700-0369
20.000	20.938	0.500	23	25003-2322	20.250	22.500	0.875	64	21238-8770
20.000	21.000	0.500	23	25003-8421	20.276	21.850	0.787	26	24600-5493
20.000	21.125	1.250	142	21432-7706	20.375	22.188	0.812	23	25003-2652
20.000	21.250	0.625	23	25003-2505	20.437	22.062	0.812	23	25003-7243
20.000	21.250	0.625	59	24700-3539	20.438	22.500	0.750	59	24700-0370
20.000	21.500	0.625	23	25003-3057	20.438	22.500	0.812	64	21238-4242
20.000	21.500	0.625	59	24700-0362	20.458	21.458	0.375	23	25003-9987
20.000	21.500	0.687	59	24700-2229	20.469	21.969	0.750	23	25003-5654
20.000	21.500	0.750	23	25003-4235	20.470	22.470	0.812	23	25003-0935
20.000	21.500	0.750	59	24700-1013	20.472	21.972	0.750	23	25003-6830
20.000	21.500	0.750	64	21238-4235	20.472	22.205	0.787	59	24700-4764
20.000	21.500	0.875	59	24700-2126	20.472	22.205	0.866	59	24700-4525
20.000	21.750	0.750	59	24700-0363	20.472	22.244	0.812	23	25003-7196
20.000	21.750	0.750	64	21238-4236	20.477	21.477	0.375	23	25003-9985
20.000	21.750	0.812	23	25003-4230	20.495	21.495	0.375	23	25003-9983
20.000	22.000	0.625	59	24700-4231	20.500	21.500	0.469	23	25003-9859
20.000	22.000	0.625	87	26080-4231	20.500	21.500	0.469	26	24600-2822
20.000	22.000	0.750	23	25003-7212	20.500	21.500	0.500	23	25003-8869
20.000	22.000	0.750	59	24700-1977	20.500	22.000	0.625	23	25003-2653
20.000	22.000	0.812	23	25003-6400	20.500	22.000	0.750	23	25003-4619
20.000	22.000	0.875	59	24700-9477	20.500	22.000	0.750	59	24700-0371
20.000	22.000	0.875	64	21238-4237	20.500	22.000	0.750	64	21238-4619
20.000	22.000	1.000	53	21086-3749	20.500	22.250	0.812	64	21238-4245
20.000	22.000	1.000	59	24700-2981	20.500	22.500	0.625	59	24700-0372
20.000	22.000	1.812	53T2	22897-8597	20.500	22.500	0.750	59	24700-1990
20.000	22.125	1.000	53	21086-4238	20.500	22.500	0.812	21	25001-5055
20.000	22.125	1.000	59	24700-0364	20.500	22.500	0.812	23	25003-5055
20.000	22.500	0.875	59	24700-0365	20.500	22.500	0.875	59	24700-4246
20.000	22.500	0.875	64	21238-3790	20.500	22.500	0.875	64	21238-4246
20.032	21.654	0.812	23	25003-7446	20.500	22.500	0.875	88	26088-4246
20.062	22.062	0.812	23	25003-9801	20.500	22.500	0.875	88NS	26188-4246

All dimensions are in inches. Preferred sizes are indicated with **bold** type face. Sizes listed are for standard nitrile elements, except Models 25 and 62 which have PTFE elements. Other material available on inquiry only.

Oil Seals by Shaft Size

Garlock

SHAFT	BORE	WIDTH	MODEL NO.	PART NO.	SHAFT	BORE	WIDTH	MODEL NO.	PART NO.
20.500	22.750	0.875	64	21238-6287	21.000	23.250	0.875	59	24700-0384
20.516	22.516	0.812	23	25003-5708	21.000	23.500	0.875	59	24700-0385
20.625	22.625	0.812	21	25001-9893	21.000	23.500	0.875	64	21238-9772
20.625	22.625	0.812	23	25003-9893	21.063	22.638	0.787	59	24700-5452
20.625	22.625	0.812	64	21238-9893	21.125	22.125	0.500	23	25003-3760
20.750	22.250	0.750	23	25003-0839	21.250	22.250	0.500	23	25003-8946
20.750	22.750	0.750	59	24700-0373	21.250	22.637	0.590	23	25003-0483
20.750	22.750	0.812	23	25003-7148	21.250	22.750	0.750	23	25003-5795
20.750	22.750	0.875	59	24700-3773	21.250	23.000	0.750	59	24700-0386
20.750	22.750	0.875	64	21238-4248	21.250	23.250	0.625	59	24700-0387
20.750	22.750	0.875	88	26088-4248	21.250	23.250	0.750	23	25003-2058
20.750	22.750	0.875	88NS	26188-4248	21.250	23.250	0.750	59	24700-1992
20.750	22.750	1.000	53	21086-4249	21.250	23.250	0.812	23	25003-9391
20.750	22.750	1.750	53R2	22627-4491	21.250	23.250	0.875	59	24700-4254
20.750	23.000	0.812	64	21238-4243	21.250	23.250	0.875	64	21238-4254
20.750	23.000	0.875	59	24700-0374	21.250	23.250	0.875	88	26088-4254
20.827	22.827	0.812	23	25003-9392	21.250	23.250	0.875	88NS	26188-4254
20.866	22.441	0.787	59	24700-5438	21.259	22.759	0.687	23	25003-5740
20.866	22.441	0.787	87	26080-2388	21.260	23.228	0.812	23	25003-9639
20.866	22.637	0.812	23	25003-5761	21.260	23.228	0.866	59	24700-4598
20.866	22.835	0.787	23	25003-1911	21.260	23.228	0.984	64	21238-7393
20.866	22.835	0.866	26	24600-3667	21.260	23.260	0.812	23	25003-9312
20.866	22.835	0.866	59	24700-3667	21.375	23.375	0.812	23	25003-5302
20.866	22.836	0.787	59	24700-0375	21.437	23.437	0.812	23	25003-6542
20.866	22.836	0.812	64	21238-4244	21.438	23.188	0.750	59	24700-0824
20.866	22.866	0.812	23	25003-9744	21.456	23.456	0.812	23	25003-5668
20.866	23.228	0.984	59	24700-3535	21.500	22.625	1.250	142	21432-9698
20.875	22.875	0.750	59	24700-0377	21.500	22.688	0.750	59	24700-1993
20.875	22.875	0.812	23	25003-9276	21.500	22.750	0.750	23	25003-6807
20.875	22.875	0.875	64	21238-4250	21.500	23.000	0.625	23	25003-6853
20.875	23.228	0.875	64	21238-6417	21.500	23.000	0.750	23	25003-5768
20.939	22.939	0.812	23	25003-3088	21.500	23.000	1.000	142	21432-9873
20.945	22.520	0.787	59	24700-5440	21.500	23.250	0.750	59	24700-0390
21.000	22.000	0.500	21	25001-4940	21.500	23.250	0.750	64	21238-4257
21.000	22.000	0.500	23	25003-4940	21.500	23.250	0.812	23	25003-5550
21.000	22.500	0.750	23	25003-5259	21.500	23.500	0.500	24	25005-9035
21.000	22.500	0.750	59	24700-0380	21.500	23.500	0.750	23	25003-9907
21.000	22.500	0.750	64	21238-5259	21.500	23.500	0.750	59	24700-0391
21.000	22.750	0.750	21	25001-5312	21.500	23.500	0.812	21	25001-7407
21.000	22.750	0.750	23	25003-5312	21.500	23.500	0.812	23	25003-7407
21.000	22.750	0.750	59	24700-0381	21.500	23.500	0.812	64	21238-7407
21.000	22.750	0.750	64	21238-5312	21.500	23.500	0.875	64	21238-4259
21.000	22.760	0.750	23	25003-2775	21.500	23.625	0.875	64	21238-6493
21.000	23.000	0.625	59	24700-0382	21.500	23.750	0.875	64	21238-0569
21.000	23.000	0.750	23	25003-5619	21.500	24.000	0.875	59	24700-0392
21.000	23.000	0.750	59	24700-1991	21.500	24.000	0.875	64	21238-6779
21.000	23.000	0.750	88	26088-5619	21.625	23.375	0.750	59	24700-0394
21.000	23.000	0.750	88NS	26188-5619	21.625	23.375	0.750	64	21238-4261
21.000	23.000	0.812	23	25003-6535	21.625	23.625	0.812	23	25003-5936
21.000	23.000	0.812	64	21238-6535	21.625	23.625	0.875	59	24700-0395
21.000	23.000	0.875	64	21238-4253	21.625	23.625	0.875	64	21238-4263
21.000	23.250	0.812	64	21238-4251	21.625	23.625	1.000	53	21086-4264

All dimensions are in inches. Preferred sizes are indicated with **bold** type face.

Sizes listed are for standard nitrile elements, except Models 25 and 62 which have PTFE elements. Other material available on inquiry only.

SHAFT	BORE	WIDTH	MODEL NO.	PART NO.	SHAFT	BORE	WIDTH	MODEL NO.	PART NO.
21.653	23.153	0.750	23	25003-5258	22.047	23.780	0.787	59	24700-4066
21.654	23.622	0.866	59	24700-2724	22.047	24.016	0.787	26	24600-3461
21.654	23.622	0.925	26	24600-5492	22.047	24.016	0.787	59	24700-3461
21.654	24.016	0.984	59	24700-4514	22.047	24.016	0.787	64	21238-7266
21.687	23.187	0.750	23	25003-5428	22.047	24.016	0.866	26	24600-4019
21.691	23.691	0.812	23	25003-9864	22.047	24.016	0.866	59	24700-4019
21.750	23.250	0.750	23	25003-4621	22.047	24.016	0.875	64	21238-2394
21.750	23.250	0.750	59	24700-1994	22.047	24.409	0.984	59	24700-4243
21.750	23.250	0.750	64	21238-4621	22.062	24.062	0.812	23	25003-6191
21.750	23.250	1.000	142	21432-4859	22.125	23.875	0.750	53	21086-4609
21.750	23.750	0.750	59	24700-0397	22.125	24.125	0.812	23	25003-5254
21.750	23.750	0.812	23	25003-6972	22.250	24.250	0.812	23	25003-8512
21.750	23.750	0.875	64	21238-4265	22.250	24.250	0.875	59	24700-0404
21.750	23.750	0.875	88	26088-4265	22.250	24.250	0.875	64	21238-3764
21.750	23.750	0.875	88NS	26188-4265	22.250	24.250	0.875	88	26088-3764
21.750	24.000	0.875	59	24700-0398	22.250	24.250	0.875	88NS	26188-3764
21.750	24.000	0.875	64	21238-5276	22.320	24.320	0.812	23	25003-4863
21.750	24.250	0.875	59	24700-0399	22.375	24.250	0.750	59	24700-0405
21.750	24.250	0.875	64	21238-8675	22.375	24.250	0.750	64	21238-4268
21.750	24.500	0.875	64	21238-4260	22.375	24.368	0.875	59	24700-0406
21.750	24.750	0.875	64	21238-4262	22.375	24.375	0.875	59	24700-0407
21.750	24.750	1.000	59	24700-0400	22.375	24.375	0.875	64	21238-2576
21.811	23.386	0.787	23	25003-0429	22.375	25.250	0.875	59	24700-3369
21.875	23.875	0.812	23	25003-8658	22.375	25.250	1.125	59	24700-5377
21.882	23.732	0.866	26	24600-5491	22.437	24.000	0.750	64	21238-4275
21.890	23.858	0.812	23	25003-0606	22.437	24.250	0.750	64	21238-4276
21.937	22.937	0.500	21	25001-8381	22.437	24.437	0.750	64	21238-6480
22.000	23.000	0.500	23	25003-7131	22.437	24.437	0.875	64	21238-1915
22.000	23.125	0.500	23	25003-0676	22.437	24.500	0.750	64	21238-9840
22.000	23.125	0.547	21	25001-8208	22.438	24.250	0.750	59	24700-0408
22.000	23.125	1.250	142	21432-9872	22.438	24.438	0.875	59	24700-0409
22.000	23.500	0.500	21	25001-6296	22.441	24.016	0.787	59	24700-3769
22.000	23.500	0.750	26	24600-4269	22.441	24.409	0.866	59	24700-4245
22.000	23.500	0.750	26R1	24620-4269	22.441	24.409	0.984	59	24700-4241
22.000	23.500	0.750	59	24700-4269	22.500	23.375	0.375	23	25003-1305
22.000	23.500	0.750	64	21238-4269	22.500	23.500	0.500	23	25003-1224
22.000	23.500	1.000	142	21432-6796	22.500	23.688	0.750	59	24700-1995
22.000	23.750	0.812	23	25003-6291	22.500	24.000	0.750	64	21238-4271
22.000	23.750	0.875	59	24700-3256	22.500	24.250	0.750	59	24700-0411
22.000	24.000	0.750	59	24700-0401	22.500	24.250	0.750	64	21238-4272
22.000	24.000	0.812	21	25001-6401	22.500	24.495	0.875	59	24700-0412
22.000	24.000	0.812	23	25003-6401	22.500	24.500	0.750	59	24700-0413
22.000	24.000	0.875	59	24700-1135	22.500	24.500	0.812	21	25001-7489
22.000	24.000	0.875	64	21238-4270	22.500	24.500	0.812	23	25003-7489
22.000	24.000	0.875	88	26088-4270	22.500	24.500	0.875	23	25003-4279
22.000	24.000	0.875	88NS	26188-4270	22.500	24.500	0.875	64	21238-4279
22.000	24.250	0.812	64	21238-9082	22.500	24.750	0.875	59	24700-0414
22.000	24.250	0.875	64	21238-3763	22.500	24.750	0.875	64	21238-4273
22.000	24.250	1.000	59	24700-0402	22.500	25.000	0.875	64	21238-4274
22.000	24.500	0.875	59	24700-0403	22.598	23.779	0.590	26	24600-2501
22.000	24.500	0.875	64	21238-6295	22.625	24.125	0.500	23	25003-0506
22.047	23.780	0.709	87	26080-1382	22.625	24.625	0.812	23	25003-7356

All dimensions are in inches. Preferred sizes are indicated with **bold** type face. Sizes listed are for standard nitrile elements, except Models 25 and 62 which have PTFE elements. Other material available on inquiry only.

Oil Seals by Shaft Size

Garlock

SHAFT	BORE	WIDTH	MODEL NO.	PART NO.	SHAFT	BORE	WIDTH	MODEL NO.	PART NO.
22.673	24.173	0.750	23	25003-5532	23.250	25.250	0.812	64	21238-6910
22.687	24.562	0.750	23	25003-6736	23.300	24.300	0.500	23	25003-5595
22.750	23.875	1.375	142	21432-7885	23.375	24.875	0.750	23	25003-7414
22.750	24.500	0.750	59	24700-0415	23.375	25.375	0.812	23	25003-7139
22.750	24.750	0.812	23	25003-8526	23.375	25.375	0.812	59	24700-0986
22.750	24.750	0.875	53	21086-4281	23.375	25.375	0.875	64	21238-4287
22.750	24.750	0.875	59	24700-0416	23.375	25.375	1.000	59	24700-0425
22.750	24.750	0.875	64	21238-4281	23.428	24.928	0.750	23	25003-0582
22.750	24.750	0.875	87	26080-4281	23.500	24.500	0.500	23	25003-5756
22.750	25.000	0.875	59	24700-0417	23.500	24.625	1.375	142	21432-9909
22.750	25.000	0.875	64	21238-6843	23.500	25.250	0.750	59	24700-0426
22.750	25.500	0.875	59	24700-1931	23.500	25.250	0.750	64	21238-5547
22.750	25.500	0.875	87	26080-1083	23.500	25.500	0.750	23	25003-6772
22.812	24.312	0.750	23	25003-7098	23.500	25.500	0.812	23	25003-6879
22.812	24.812	0.812	23	25003-6809	23.500	25.500	0.875	59	24700-0427
22.834	24.334	0.750	23	25003-7284	23.500	25.500	0.875	64	21238-4288
22.834	24.834	0.812	23	25003-9480	23.500	25.500	1.000	53	21086-4289
22.835	25.197	0.984	59	24700-4256	23.512	25.512	0.812	23	25003-0464
22.875	23.750	0.375	23	25003-1311	23.562	25.250	0.750	59	24700-0428
22.875	24.000	1.312	142	21432-9552	23.562	25.250	0.750	64	21238-4290
22.875	24.875	0.812	23	25003-9847	23.562	25.375	0.750	64	21238-4291
22.937	24.937	0.812	23	25003-9173	23.563	25.375	0.750	59	24700-0429
22.958	24.958	0.812	23	25003-3220	23.570	25.070	0.750	23	25003-5614
23.000	24.000	0.500	23	25003-6202	23.595	25.095	0.750	23	25003-5615
23.000	24.250	0.750	23	25003-7593	23.622	24.803	0.433	26	24600-5715
23.000	24.500	0.750	59	24700-0418	23.622	25.197	0.787	59	24700-5280
23.000	24.500	0.750	64	21238-4283	23.622	25.197	0.787	64	21238-8624
23.000	24.750	0.750	59	24700-0419	23.622	25.590	0.866	59	24700-4519
23.000	24.750	0.750	64	21238-5421	23.622	25.591	0.984	59	24700-5559
23.000	25.000	0.812	21	25001-7838	23.622	25.984	0.984	59	24700-4518
23.000	25.000	0.812	23	25003-7838	23.625	25.125	0.750	23	25003-5903
23.000	25.000	0.875	59	24700-0420	23.625	25.625	0.812	23	25003-6337
23.000	25.000	0.875	64	21238-4284	23.625	25.750	0.875	59	24700-0430
23.000	25.000	1.687	53R2	22627-9474	23.625	26.000	0.875	59	24700-0431
23.000	25.375	0.875	59	24700-0421	23.625	26.000	0.875	64	21238-4292
23.000	25.375	0.875	64	21238-4277	23.750	24.875	1.250	142	21432-9685
23.000	25.500	0.875	59	24700-0422	23.750	25.250	0.750	23	25003-7594
23.000	25.500	0.875	64	21238-4285	23.750	25.250	0.875	59	24700-3428
23.000	25.500	0.875	87	26080-4285	23.750	25.250	1.000	64	21238-6239
23.000	25.500	1.000	87	26080-2547	23.750	25.750	0.812	23	25003-5553
23.067	24.954	0.812	23	25003-9334	23.750	26.750	1.500	59	24700-0432
23.074	24.954	0.812	23	25003-4980	23.812	24.937	1.250	142	21432-7724
23.110	24.610	0.750	23	25003-7714	23.875	24.875	0.500	23	25003-8108
23.125	24.625	0.618	23	25003-8285	23.875	26.000	0.875	59	24700-0433
23.187	25.187	0.812	23	25003-8468	23.875	26.000	0.875	64	21238-4293
23.228	24.803	0.787	59	24700-3134	23.900	25.100	0.750	23	25003-1294
23.228	25.197	0.787	23	25003-2674	24.000	25.000	0.500	21	25001-3254
23.250	24.750	0.750	23	25003-7162	24.000	25.000	0.750	142	21432-9336
23.250	25.000	0.750	59	24700-0423	24.000	25.125	0.500	21	25001-5552
23.250	25.250	0.750	23	25003-9371	24.000	25.125	0.500	23	25003-5552
23.250	25.250	0.750	59	24700-0424	24.000	25.125	1.250	142	21432-5870
23.250	25.250	0.812	23	25003-6910	24.000	25.500	0.700	23	25003-4874

All dimensions are in inches. Preferred sizes are indicated with **bold** type face.

Sizes listed are for standard nitrile elements, except Models 25 and 62 which have PTFE elements. Other material available on inquiry only.

SHAFT	BORE	WIDTH	MODEL NO.	PART NO.	SHAFT	BORE	WIDTH	MODEL NO.	PART NO.
24.000	25.500	0.750	23	25003-4623	24.500	26.500	0.875	64	21238-4305
24.000	25.500	0.750	59	24700-0434	24.567	25.748	0.590	26	24600-2505
24.000	25.500	0.750	64	21238-4623	24.610	26.110	1.000	142	21432-8648
24.000	25.500	1.000	142	21432-5440	24.625	25.500	0.375	23	25003-0626
24.000	25.625	0.812	21	25001-8502	24.625	25.875	0.562	23	25003-6965
24.000	26.000	0.750	59	24700-0435	24.640	25.640	0.500	23	25003-2196
24.000	26.000	0.812	21	25001-5919	24.750	25.750	0.500	23	25003-9313
24.000	26.000	0.812	23	25003-5919	24.750	26.750	0.812	23	25003-7200
24.000	26.000	0.875	26	24600-4294	24.803	26.181	0.563	87	26080-2884
24.000	26.000	0.875	59	24700-4294	24.803	26.303	0.750	23	25003-5720
24.000	26.000	0.875	64	21238-4294	24.803	26.378	0.750	64	21238-1451
24.000	26.250	0.875	64	21238-6293	24.803	26.750	0.875	59	24700-1070
24.000	26.250	1.000	59	24700-0436	24.812	26.812	0.812	23	25003-9383
24.000	26.500	0.875	64	21238-4297	24.875	26.375	1.000	142	21432-9393
24.000	26.500	1.000	59	24700-0437	24.875	26.875	0.812	23	25003-4839
24.000	27.000	0.875	64	21238-5644	25.000	26.000	0.500	23	25003-5798
24.015	25.748	0.787	23	25003-1112	25.000	26.125	1.375	142	21432-8566
24.015	25.984	0.812	23	25003-7119	25.000	26.250	0.625	23	25003-1098
24.093	26.093	0.812	23	25003-5707	25.000	26.500	0.750	23	25003-4308
24.125	25.125	0.500	23	25003-6766	25.000	26.500	0.750	59	24700-0443
24.125	26.000	0.812	23	25003-5513	25.000	26.500	0.750	64	21238-4308
24.213	25.213	0.750	142	21432-7422	25.000	26.500	0.750	88	26088-4308
24.250	25.250	0.500	23	25003-8139	25.000	26.500	0.750	88NS	26188-4308
24.250	25.250	0.750	142	21432-4543	25.000	26.500	1.000	142	21432-9699
24.250	25.375	1.250	142	21432-9498	25.000	26.875	0.750	23	25003-2509
24.250	25.750	0.750	123	21016-6880	25.000	27.000	0.750	23	25003-9154
24.250	25.750	1.000	142	21432-6458	25.000	27.000	0.812	23	25003-6419
24.250	26.000	1.000	59	24700-4494	25.000	27.000	0.875	59	24700-0444
24.250	26.250	0.812	23	25003-7352	25.000	27.000	0.875	64	21238-3774
24.250	26.250	0.875	59	24700-0438	25.000	27.000	0.906	87	26080-2207
24.250	26.250	0.875	64	21238-4301	25.000	27.000	1.000	64	21238-4309
24.250	26.250	1.000	53	21086-3770	25.000	27.250	0.875	64	21238-6421
24.250	26.250	1.000	64	21238-3770	25.000	27.375	0.875	59	24700-0445
24.375	25.625	0.625	23	25003-1977	25.000	27.500	0.875	59	24700-0446
24.375	26.375	0.750	59	24700-0439	25.000	27.500	0.875	64	21238-5997
24.409	26.378	0.812	23	25003-0864	25.000	27.500	0.875	88	26088-5997
24.409	26.378	0.866	26	24600-3678	25.000	27.500	0.875	88NS	26188-5997
24.437	26.000	0.750	64	21238-4302	25.000	27.500	1.000	59	24700-0821
24.437	26.437	0.750	23	25003-4304	25.006	26.006	0.375	23	25003-9982
24.437	26.437	0.750	64	21238-4304	25.125	26.125	0.500	23	25003-5729
24.437	26.437	0.812	23	25003-6335	25.125	26.250	1.250	142	21432-7681
24.438	26.000	0.750	59	24700-0440	25.125	26.250	1.375	142	21432-8390
24.438	26.438	0.750	59	24700-0441	25.125	26.750	0.750	59	24700-0447
24.500	25.375	0.375	23	25003-0822	25.187	26.875	0.750	64	21238-4311
24.500	25.500	0.500	23	25003-5818	25.187	26.937	0.750	64	21238-5994
24.500	25.625	0.500	21	25001-4675	25.187	27.187	0.812	23	25003-5828
24.500	25.625	0.500	23	25003-4675	25.188	26.875	0.750	59	24700-0448
24.500	25.625	0.625	23	25003-7469	25.196	26.696	0.750	23	25003-6823
24.500	26.000	0.750	23	25003-9282	25.196	27.196	0.812	23	25003-7679
24.500	26.250	0.812	23	25003-6987	25.197	27.165	0.807	23	25003-1719
24.500	26.500	0.812	23	25003-8689	25.203	27.171	0.812	23	25003-2769
24.500	26.500	0.875	59	24700-0442	25.219	27.219	0.812	23	25003-5748

All dimensions are in inches. Preferred sizes are indicated with **bold** type face. Sizes listed are for standard nitrile elements, except Models 25 and 62 which have PTFE elements. Other material available on inquiry only.

Oil Seals by Shaft Size

Garlock

SHAFT	BORE	WIDTH	MODEL NO.	PART NO.	SHAFT	BORE	WIDTH	MODEL NO.	PART NO.
25.250	26.750	0.500	23	25003-5141	25.875	27.875	0.812	23	25003-9266
25.250	26.750	0.750	23	25003-7163	25.875	28.000	0.875	59	24700-0458
25.250	27.250	0.750	64	21238-4299	25.875	28.000	0.875	64	21238-4303
25.250	27.250	0.812	23	25003-7859	25.875	28.000	1.000	53	21086-3776
25.250	27.250	0.875	59	24700-0450	25.988	27.625	0.750	59	24700-0459
25.250	28.000	0.875	59	24700-0451	25.988	27.625	0.750	64	21238-4306
25.375	26.875	0.562	23	25003-2709	26.000	27.000	0.500	23	25003-4714
25.375	28.500	1.500	59	24700-0452	26.000	27.125	0.500	23	25003-6940
25.437	27.187	0.750	23	25003-7646	26.000	27.125	0.562	23	25003-1919
25.437	27.187	0.750	59	24700-4360	26.000	27.125	1.375	142	21432-9318
25.500	26.500	0.500	23	25003-9988	26.000	27.250	0.625	23	25003-0959
25.500	27.000	0.750	23	25003-4317	26.000	27.500	0.750	23	25003-0455
25.500	27.000	0.750	59	24700-0453	26.000	27.500	1.000	142	21432-9183
25.500	27.000	0.875	64	21238-4300	26.000	27.625	0.750	59	24700-0460
25.500	27.000	1.000	142	21432-8547	26.000	27.625	0.750	64	21238-5921
25.500	27.500	0.750	23	25003-6918	26.000	27.625	0.750	88	26088-5921
25.500	27.500	0.750	59	24700-0454	26.000	27.625	0.750	88NS	26188-5921
25.500	27.500	0.812	23	25003-9090	26.000	28.000	0.750	21	25001-7710
25.500	27.500	0.875	53	21086-4318	26.000	28.000	0.750	23	25003-7710
25.500	27.500	0.875	59	24700-5162	26.000	28.000	0.750	59	24700-0461
25.500	27.500	0.875	64	21238-4318	26.000	28.000	0.812	23	25003-6483
25.500	27.500	0.875	87	26080-4318	26.000	28.000	0.875	64	21238-4325
25.500	27.500	0.875	88	26088-4318	26.000	28.125	0.875	64	21238-9402
25.500	27.500	0.875	88NS	26188-4318	26.000	28.500	0.875	59	24700-0462
25.530	27.030	0.750	23	25003-5743	26.000	28.500	0.875	64	21238-4794
25.590	26.590	0.500	23	25003-5779	26.125	28.125	0.812	23	25003-7699
25.590	27.090	0.750	23	25003-9325	26.125	28.125	0.813	59	24700-0463
25.590	27.165	0.787	59	24700-1044	26.125	28.125	0.875	64	21238-4330
25.590	27.756	0.787	59	24700-4244	26.125	28.125	0.875	88	26088-4330
25.590	27.953	0.984	59	24700-4517	26.125	28.125	0.875	88NS	26188-4330
25.625	26.625	0.500	23	25003-9382	26.220	27.220	0.500	23	25003-3141
25.625	26.750	0.500	21	25001-8773	26.250	28.250	0.812	23	25003-9759
25.625	26.750	0.500	23	25003-8773	26.299	27.795	1.000	142	21432-7685
25.625	26.875	0.625	23	25003-1997	26.375	28.188	0.750	59	24700-0464
25.625	27.625	0.812	23	25003-0663	26.375	28.188	0.875	59	24700-4097
25.625	27.750	1.000	59	24700-0455	26.375	28.188	0.875	64	21238-4307
25.750	26.875	0.500	21	25001-4676	26.375	28.250	0.875	59	24700-0465
25.750	26.875	0.500	23	25003-4676	26.375	28.250	0.875	64	21238-4312
25.750	26.875	0.547	23	25003-7899	26.375	28.375	0.812	23	25003-5017
25.750	26.875	0.562	23	25003-9025	26.375	28.375	1.000	59	24700-0466
25.750	26.875	0.625	23	25003-6321	26.378	27.874	0.748	23	25003-2248
25.750	26.875	0.750	23	25003-9305	26.378	27.953	0.787	59	24700-3945
25.750	27.000	0.500	23	25003-6539	26.378	28.898	0.984	59	24700-4672
25.750	27.000	0.625	23	25003-5894	26.437	28.437	0.812	23	25003-6886
25.750	27.250	0.750	23	25003-6998	26.500	28.000	0.750	23	25003-4533
25.750	27.250	0.750	59	24700-0456	26.500	28.000	0.750	59	24700-0467
25.750	27.250	0.750	64	21238-6998	26.500	28.000	0.750	64	21238-4533
25.750	27.750	0.812	23	25003-9569	26.500	28.000	0.875	59	24700-3279
25.750	28.125	0.750	23	25003-0671	26.500	28.500	0.812	23	25003-6332
25.750	28.755	1.500	59	24700-0457	26.500	28.500	0.875	59	24700-0468
25.875	26.750	0.375	23	25003-0696	26.500	28.500	0.875	64	21238-4313
25.875	26.875	0.500	23	25003-4698	26.500	29.500	1.500	59	24700-0469

All dimensions are in inches. Preferred sizes are indicated with **bold** type face.

Sizes listed are for standard nitrile elements, except Models 25 and 62 which have PTFE elements. Other material available on inquiry only.

SHAFT	BORE	WIDTH	MODEL NO.	PART NO.	SHAFT	BORE	WIDTH	MODEL NO.	PART NO.
26.625	28.125	0.750	23	25003-2707	27.875	29.815	0.875	59	24700-0479
26.687	28.687	0.812	23	25003-9626	27.875	29.875	0.812	23	25003-9690
26.750	28.562	0.812	23	25003-2628	27.952	29.952	0.812	23	25003-5860
26.750	28.750	0.812	23	25003-9647	27.969	29.969	0.812	23	25003-5895
26.771	27.771	0.500	23	25003-5799	27.992	29.119	0.500	23	25003-9890
26.781	28.781	0.812	23	25003-5278	28.000	29.125	0.500	23	25003-5504
26.815	28.815	0.812	23	25003-6819	28.000	29.125	1.250	142	21432-9832
26.875	27.750	0.375	23	25003-1312	28.000	29.125	1.375	142	21432-8561
26.875	28.125	0.500	23	25003-0755	28.000	29.500	0.750	23	25003-4343
26.875	28.875	0.812	23	25003-5102	28.000	29.500	0.750	59	24700-0480
26.968	27.953	0.500	23	25003-1169	28.000	29.500	0.750	64	21238-4343
27.000	28.000	0.500	23	25003-8043	28.000	29.500	1.000	142	21432-9730
27.000	28.125	1.375	142	21432-8277	28.000	29.625	0.750	59	24700-0481
27.000	28.500	0.625	23	25003-5050	28.000	29.625	0.750	64	21238-7828
27.000	28.500	0.750	26	24600-1952	28.000	29.625	0.750	88	26088-7828
27.000	29.000	0.750	59	24700-0470	28.000	29.625	0.750	88NS	26188-7828
27.000	29.000	0.812	23	25003-7340	28.000	29.813	0.750	59	24700-0482
27.000	29.000	0.875	64	21238-4333	28.000	29.813	0.750	64	21238-4316
27.000	29.000	0.875	88	26088-4333	28.000	30.000	0.812	23	25003-6786
27.000	29.000	0.875	88NS	26188-4333	28.000	30.000	0.822	23	25003-9603
27.000	29.000	1.000	59	24700-1971	28.000	30.000	0.875	59	24700-0483
27.000	29.500	0.875	64	21238-8031	28.000	30.000	0.875	64	21238-4344
27.000	29.500	1.000	59	24700-0471	28.000	30.000	1.500	142	21432-8214
27.000	30.000	0.875	59	24700-0472	28.000	30.250	0.812	64	21238-4320
27.000	30.000	0.875	64	21238-9984	28.000	30.250	1.250	59	24700-0484
27.125	29.625	0.750	23	25003-5879	28.000	30.500	0.875	59	24700-0485
27.165	28.740	0.787	59	24700-3489	28.000	30.500	0.875	64	21238-3878
27.250	28.375	1.375	142	21432-9319	28.000	30.500	0.875	87	26080-3878
27.250	29.250	0.812	23	25003-8103	28.000	30.500	0.875	88	26088-3878
27.250	29.250	0.813	59	24700-0473	28.000	30.500	0.875	88NS	26188-3878
27.250	29.250	0.875	59	24700-4626	28.000	30.500	1.000	59	24700-0820
27.250	29.250	0.875	64	21238-4626	28.000	30.535	0.875	59	24700-0486
27.375	29.375	0.812	23	25003-9375	28.000	31.000	0.875	59	24700-0487
27.500	29.000	0.750	23	25003-4315	28.000	31.000	0.875	64	21238-5998
27.500	29.000	0.750	59	24700-0474	28.000	32.000	0.875	59	24700-0488
27.500	29.000	0.750	64	21238-4315	28.125	29.250	0.500	23	25003-6068
27.500	29.500	0.750	23	25003-2313	28.125	29.250	0.562	23	25003-9482
27.500	29.500	0.812	23	25003-7251	28.125	29.250	0.750	59	24700-1996
27.500	29.500	0.875	59	24700-0475	28.250	29.500	0.625	23	25003-0896
27.500	29.500	0.875	64	21238-4339	28.250	29.750	1.000	142	21432-5272
27.500	29.500	1.000	88	26088-3784	28.250	30.250	0.812	23	25003-9575
27.500	29.500	1.000	88NS	26188-3784	28.346	30.315	0.984	23	25003-0786
27.559	29.055	0.748	23	25003-4481	28.375	29.500	0.500	23	25003-7900
27.559	30.079	0.984	26	24600-5067	28.486	29.860	0.687	23	25003-0458
27.562	29.562	0.812	23	25003-7881	28.500	29.500	0.500	23	25003-5266
27.625	29.125	0.750	59	24700-0476	28.500	30.500	0.625	59	24700-0490
27.625	29.625	0.750	59	24700-0477	28.500	30.500	0.750	59	24700-1997
27.625	29.625	0.750	64	21238-5001	28.500	30.500	0.812	23	25003-7655
27.750	28.875	0.562	23	25003-9420	28.500	30.500	0.875	23	25003-4346
27.750	29.750	0.812	23	25003-8190	28.500	30.500	0.875	59	24700-4454
27.875	29.812	0.875	59	24700-0478	28.500	30.500	0.875	64	21238-4346
27.875	29.812	0.875	64	21238-4341	28.500	30.500	0.875	88	26088-4346

All dimensions are in inches. Preferred sizes are indicated with **bold** type face. Sizes listed are for standard nitrile elements, except Models 25 and 62 which have PTFE elements. Other material available on inquiry only.

Oil Seals by Shaft Size

Garlock

SHAFT	BORE	WIDTH	MODEL NO.	PART NO.	SHAFT	BORE	WIDTH	MODEL NO.	PART NO.
28.500	30.500	0.875	88NS	26188-4346	29.500	32.250	1.000	59	24700-0500
28.500	31.000	0.875	53	21086-4534	29.500	32.500	0.875	64	21238-4539
28.500	31.000	0.875	59	24700-0491	29.500	32.500	0.938	59	24700-0501
28.500	31.000	0.875	64	21238-4534	29.527	30.527	0.500	23	25003-5780
28.625	30.625	0.812	23	25003-2158	29.527	31.125	0.750	23	25003-9225
28.740	31.102	0.984	59	24700-4516	29.527	31.496	0.787	23	25003-3165
28.740	31.259	1.007	59	24700-4487	29.527	31.496	0.905	23	25003-3169
28.740	31.260	0.748	23	25003-2796	29.528	32.047	0.750	23	25003-2079
28.740	31.260	0.984	59	24700-2543	29.562	31.562	0.812	23	25003-6583
28.750	29.750	0.500	23	25003-5863	29.625	31.625	0.812	23	25003-5281
28.750	30.750	0.812	23	25003-6803	29.687	31.687	0.812	23	25003-5821
28.750	30.750	0.875	59	24700-0492	29.750	31.750	0.875	23	25003-2907
28.750	30.750	0.875	64	21238-4628	29.875	31.000	1.250	142	21432-9814
28.875	29.750	0.500	21	25001-5612	29.875	31.875	0.812	23	25003-4857
28.875	29.750	0.500	23	25003-5612	29.906	30.906	0.500	23	25003-7325
28.875	30.875	0.812	23	25003-9797	29.906	31.906	0.812	23	25003-6907
28.938	30.512	0.787	59	24700-5442	29.918	31.418	0.750	23	25003-4897
29.000	30.125	0.500	23	25003-9852	29.921	31.496	0.787	59	24700-4917
29.000	30.500	0.750	23	25003-4347	29.921	31.890	0.984	59	24700-3132
29.000	30.500	0.750	59	24700-0493	29.921	32.008	0.866	59	24700-3837
29.000	30.500	0.750	64	21238-4347	29.950	30.950	0.750	142	21432-4928
29.000	30.500	0.750	113	21012-4347	29.968	31.968	0.812	23	25003-1974
29.000	31.000	0.812	23	25003-7331	29.973	31.973	0.687	23	25003-7768
29.000	31.000	0.875	59	24700-0494	30.000	31.000	0.500	23	25003-9339
29.000	31.000	0.875	64	21238-4348	30.000	31.000	0.750	142	21432-9570
29.000	31.000	0.875	87	26080-4348	30.000	31.125	0.500	23	25003-6404
29.000	31.000	0.875	88	26088-4348	30.000	31.125	0.562	23	25003-8588
29.000	31.000	0.875	88NS	26188-4348	30.000	31.125	0.562	23	25003-8588
29.000	31.000	1.000	23	25003-2764	30.000	31.250	0.500	23	25003-8980
29.000	31.500	1.000	64	21238-8793	30.000	31.250	0.500	23	25003-8980
29.000	31.500	1.000	64	21238-8793	30.000	31.500	0.750	23	25003-4356
29.000	32.000	0.875	59	24700-0495	30.000	31.500	0.750	64	21238-4356
29.000	32.000	0.875	64	21238-4537	30.000	31.600	0.770	88	26088-8487
29.125	32.000	1.500	59	24700-0496	30.000	31.600	0.770	88NS	26188-8487
29.133	31.133	0.812	21	25001-7107	30.000	31.616	0.750	59	24700-0502
29.134	30.709	0.750	59	24700-1998	30.000	31.616	0.750	64	21238-5000
29.134	31.134	0.812	23	25003-7107	30.000	31.625	0.625	59	24700-0503
29.250	30.250	0.500	23	25003-5263	30.000	31.625	0.750	59	24700-1999
29.250	30.250	0.750	142	21432-4696	30.000	31.625	0.750	64	21238-7870
29.250	30.750	1.000	142	21432-5871	30.000	31.625	0.750	88	26088-7870
29.250	31.250	0.812	23	25003-6577	30.000	31.625	0.750	88NS	26188-7870
29.375	31.375	0.812	23	25003-7039	30.000	32.000	0.750	59	24700-0504
29.500	30.500	0.500	23	25003-4526	30.000	32.000	0.812	23	25003-6849
29.500	31.000	1.000	142	21432-4918	30.000	32.000	0.875	59	24700-1006
29.500	31.500	0.750	59	24700-0498	30.000	32.000	0.875	64	21238-4357
29.500	31.500	0.812	23	25003-6403	30.000	32.000	0.875	87	26080-4357
29.500	31.500	0.875	64	21238-4352	30.000	32.000	1.000	23	25003-3796
29.500	31.500	1.000	64	21238-3791	30.000	32.000	1.000	53	21086-3796
29.500	32.000	0.750	88	26088-7788	30.000	32.000	1.250	142	21432-7265
29.500	32.000	0.750	88NS	26188-7788	30.000	32.000	1.250	142	21432-7265
29.500	32.000	0.875	59	24700-0499	30.000	32.250	0.875	64	21238-4323
29.500	32.000	0.875	64	21238-4538	30.000	32.250	1.156	59	24700-0505
29.500	32.250	0.875	64	21238-4322	30.000	32.500	0.875	59	24700-0506
					30.000	32.500	0.875	64	21238-4358
					30.000	32.500	1.000	64	21238-3797

All dimensions are in inches. Preferred sizes are indicated with **bold** type face.

Sizes listed are for standard nitrile elements, except Models 25 and 62 which have PTFE elements. Other material available on inquiry only.

SHAFT	BORE	WIDTH	MODEL NO.	PART NO.	SHAFT	BORE	WIDTH	MODEL NO.	PART NO.
30.000	32.750	0.875	64	21238-4359	31.496	34.015	0.984	59	24700-5560
30.000	33.000	0.875	64	21238-4360	31.500	32.500	0.500	23	25003-9493
30.065	31.065	0.500	23	25003-0779	31.500	33.000	0.750	23	25003-9736
30.125	31.125	0.500	23	25003-5514	31.500	33.000	0.750	123	21016-9736
30.250	32.250	0.812	23	25003-7773	31.500	33.500	0.812	23	25003-7644
30.250	32.500	0.875	59	24700-0507	31.500	33.500	1.250	142	21432-9550
30.250	32.500	0.875	64	21238-4906	31.750	32.750	0.500	23	25003-7206
30.312	32.375	0.875	64	21238-4361	31.750	33.250	1.000	142	21432-5566
30.313	31.813	0.750	23	25003-1985	31.750	33.750	0.750	21	25001-9156
30.315	33.268	1.063	59	24700-4875	31.750	33.750	0.750	23	25003-9156
30.375	32.375	0.812	23	25003-6297	31.750	33.750	0.812	23	25003-7355
30.500	32.500	0.750	23	25003-7161	31.750	33.750	0.875	59	24700-0515
30.500	32.500	0.750	59	24700-0508	31.750	33.750	0.875	64	21238-5016
30.500	32.500	0.812	23	25003-8934	31.750	33.750	1.250	142	21432-9220
30.500	32.500	0.875	59	24700-3876	31.750	33.750	1.500	142	21432-8651
30.500	32.500	0.875	64	21238-4365	31.750	35.750	1.500	59	24700-0521
30.500	32.500	0.875	88	26088-4365	31.890	33.890	0.812	23	25003-5847
30.500	32.500	0.875	88NS	26188-4365	31.890	34.409	0.984	59	24700-4671
30.500	32.500	1.000	23	25003-0501	32.000	33.000	0.500	23	25003-0884
30.500	33.000	0.750	59	24700-0509	32.000	33.125	0.500	23	25003-6609
30.500	33.000	0.875	64	21238-8577	32.000	34.000	0.812	23	25003-7441
30.500	33.000	1.000	59	24700-4376	32.000	34.000	0.875	59	24700-0516
30.500	33.000	1.000	87	26080-2027	32.000	34.000	0.875	64	21238-4632
30.500	33.500	0.875	59	24700-0510	32.000	34.000	1.250	142	21432-8113
30.500	33.500	0.875	64	21238-8230	32.000	34.500	0.875	59	24700-0517
30.562	32.562	0.812	23	25003-5647	32.000	34.500	0.875	64	21238-8407
30.615	33.268	1.094	59	24700-4578	32.125	33.625	0.625	23	25003-8549
30.688	31.750	0.500	23	25003-0208	32.125	34.125	0.812	23	25003-5435
30.709	33.228	0.984	59	24700-1933	32.125	34.125	0.875	59	24700-0518
30.750	31.750	0.500	23	25003-6677	32.125	34.125	0.875	64	21238-4371
30.750	32.750	1.250	142	21432-5275	32.125	34.625	0.875	64	21238-7537
30.800	31.800	0.500	23	25003-7866	32.125	34.687	0.750	23	25003-0375
31.000	32.000	0.500	23	25003-5611	32.156	34.250	0.750	23	25003-2794
31.000	32.125	0.500	23	25003-9853	32.187	34.187	0.812	23	25003-9348
31.000	32.500	0.562	23	25003-9288	32.205	34.205	1.250	142	21432-8754
31.000	32.500	0.750	21	25001-5739	32.250	33.625	0.625	23	25003-8550
31.000	32.500	0.750	23	25003-5739	32.250	34.250	0.812	23	25003-9205
31.000	32.500	0.750	64	21238-5739	32.312	34.500	0.875	59	24700-0519
31.000	32.500	1.000	59	24700-0511	32.312	34.500	0.875	64	21238-4373
31.000	33.000	0.812	21	25001-7412	32.375	33.625	0.500	23	25003-9212
31.000	33.000	0.812	23	25003-7412	32.375	33.625	0.625	23	25003-5361
31.000	33.000	0.875	59	24700-0512	32.375	34.375	1.000	23	25003-9968
31.000	33.000	0.875	64	21238-4367	32.500	33.625	0.500	23	25003-6405
31.000	33.000	1.250	142	21432-5588	32.500	33.625	0.562	23	25003-4743
31.000	33.500	0.875	64	21238-4540	32.500	34.500	0.812	23	25003-7387
31.000	34.000	0.875	59	24700-0513	32.500	34.500	0.875	59	24700-0520
31.000	34.000	0.875	64	21238-4541	32.500	34.500	0.875	64	21238-4377
31.250	32.750	0.750	64	21238-4631	32.500	34.500	0.875	88	26088-4377
31.250	33.250	0.750	23	25003-5033	32.500	34.500	0.875	88NS	26188-4377
31.250	33.250	0.750	59	24700-0514	32.500	34.500	1.000	23	25003-3813
31.250	33.250	0.750	64	21238-5033	32.500	34.500	1.250	142	21432-5218
31.406	32.992	0.750	23	25003-7658	32.500	34.500	1.500	142	21432-4547

All dimensions are in inches. Preferred sizes are indicated with **bold** type face. Sizes listed are for standard nitrile elements, except Models 25 and 62 which have PTFE elements. Other material available on inquiry only.

Oil Seals by Shaft Size

Garlock

SHAFT	BORE	WIDTH	MODEL NO.	PART NO.	SHAFT	BORE	WIDTH	MODEL NO.	PART NO.
32.687	33.937	0.500	23	25003-1695	33.500	36.002	0.938	59	24700-0533
32.687	34.687	0.812	23	25003-8122	33.500	36.250	0.875	59	24700-0534
32.750	34.250	0.750	64	21238-4542	33.500	36.250	0.875	64	21238-4327
32.750	34.500	0.875	59	24700-3250	33.500	36.417	0.875	64	21238-4552
32.750	34.750	0.812	23	25003-6805	33.625	35.593	0.937	23	25003-1289
32.750	35.000	0.875	64	21238-8289	33.625	35.625	0.875	59	24700-0535
32.835	33.937	0.500	23	25003-1701	33.625	35.625	0.875	64	21238-4328
32.969	34.625	0.750	26	24600-5454	33.750	35.750	0.812	23	25003-6143
32.986	33.986	0.500	23	25003-6863	33.858	35.433	0.787	59	24700-1043
33.000	34.000	0.500	23	25003-5159	33.858	35.858	0.813	23	25003-2773
33.000	34.125	0.500	23	25003-6947	33.875	35.000	1.250	142	21432-9813
33.000	34.500	0.625	23	25003-5698	33.937	35.468	0.812	23	25003-9248
33.000	34.500	0.750	23	25003-4381	34.000	35.000	0.500	23	25003-5730
33.000	34.500	0.750	59	24700-0522	34.000	35.500	0.750	23	25003-5602
33.000	34.500	0.750	64	21238-4381	34.000	36.000	0.812	21	25001-7138
33.000	34.609	0.750	59	24700-0523	34.000	36.000	0.812	23	25003-7138
33.000	34.613	0.750	59	24700-0524	34.000	36.000	0.875	59	24700-0536
33.000	34.625	0.750	59	24700-0525	34.000	36.000	0.875	64	21238-4399
33.000	34.625	0.750	64	21238-6787	34.000	36.250	1.250	59	24700-0537
33.000	34.625	0.750	87	26080-6787	34.000	36.500	0.750	23	25003-1730
33.000	34.630	0.750	59	24700-0526	34.000	36.500	0.875	59	24700-0538
33.000	34.687	0.750	64	21238-6152	34.000	37.000	0.875	59	24700-4583
33.000	34.688	0.750	59	24700-0527	34.000	37.000	1.000	59	24700-0539
33.000	34.937	0.812	23	25003-6958	34.250	36.250	0.875	59	24700-0540
33.000	35.000	0.750	23	25003-3083	34.250	36.250	0.875	64	21238-4401
33.000	35.000	0.750	59	24700-0528	34.250	36.750	0.875	59	24700-0541
33.000	35.000	0.812	23	25003-7244	34.250	36.750	0.875	64	21238-4335
33.000	35.000	0.875	64	21238-4382	34.252	36.252	0.812	23	25003-5830
33.000	35.000	0.875	88	26088-4382	34.500	36.000	0.750	23	25003-6908
33.000	35.000	0.875	88NS	26188-4382	34.500	36.000	0.750	59	24700-0542
33.000	35.250	0.875	59	24700-0529	34.500	36.000	0.750	64	21238-6908
33.000	35.250	0.875	64	21238-4326	34.500	36.500	0.812	23	25003-6420
33.000	35.500	0.750	59	24700-0530	34.500	36.500	0.875	26	24600-4405
33.000	35.500	0.750	88	26088-7790	34.500	36.500	0.875	59	24700-4405
33.000	35.500	0.750	88NS	26188-7790	34.500	36.500	0.875	64	21238-4405
33.000	35.500	0.875	64	21238-4544	34.500	36.500	1.000	23	25003-3830
33.250	35.250	0.750	21	25001-7154	34.500	36.500	1.000	53	21086-3830
33.250	35.250	0.812	23	25003-6944	34.500	36.500	1.250	142	21432-8406
33.464	35.236	0.787	23	25003-6894	34.500	37.500	0.875	64	21238-4338
33.500	35.000	0.875	64	21238-9504	34.750	36.625	0.750	59	24700-0543
33.500	35.500	0.812	23	25003-6107	34.750	36.750	0.875	59	24700-0544
33.500	35.500	0.875	59	24700-0531	34.750	36.750	0.875	64	21238-3831
33.500	35.500	0.875	64	21238-4389	34.750	36.750	0.875	87	26080-3831
33.500	35.500	0.875	88	26088-4389	34.804	35.804	0.750	142	21432-7579
33.500	35.500	0.875	88NS	26188-4389	34.812	35.812	0.750	142	21432-7584
33.500	35.625	0.875	64	21238-4548	35.000	36.000	0.500	23	25003-5519
33.500	35.750	0.875	64	21238-4549	35.000	36.500	0.625	23	25003-5765
33.500	36.000	0.875	26	24600-0532	35.000	36.500	0.750	23	25003-5425
33.500	36.000	0.875	59	24700-0532	35.000	37.000	0.812	23	25003-5935
33.500	36.000	0.875	64	21238-4550	35.000	37.000	0.813	59	24700-0545
33.500	36.000	0.875	88	26088-4550	35.000	37.000	0.875	64	21238-3835
33.500	36.000	0.875	88NS	26188-4550	35.000	37.000	0.875	123	21016-3835

All dimensions are in inches. Preferred sizes are indicated with **bold** type face.

Sizes listed are for standard nitrile elements, except Models 25 and 62 which have PTFE elements. Other material available on inquiry only.

Garlock

Oil Seals by Shaft Size

SHAFT	BORE	WIDTH	MODEL NO.	PART NO.	SHAFT	BORE	WIDTH	MODEL NO.	PART NO.
35.000	37.500	0.875	59	24700-0546	36.750	38.750	0.812	23	25003-6822
35.000	37.500	0.875	64	21238-3836	36.750	38.750	0.875	64	21238-4432
35.000	38.000	0.875	64	21238-3837	36.750	38.750	1.000	59	24700-0557
35.250	37.250	0.875	64	21238-4416	36.750	39.250	0.875	59	24700-0558
35.250	38.250	0.750	59	24700-0547	36.750	39.250	0.875	64	21238-7328
35.250	38.250	0.812	64	21238-4647	36.750	39.250	0.875	64	21238-7428
35.375	37.375	0.812	23	25003-9335	37.000	38.000	0.500	23	25003-9314
35.375	37.375	0.875	64	21238-4417	37.000	38.500	1.000	142	21432-5583
35.375	37.375	1.000	53	21086-3838	37.000	39.000	0.812	23	25003-9324
35.375	37.375	1.000	59	24700-0548	37.000	39.000	0.875	59	24700-0559
35.433	36.933	0.750	23	25003-5824	37.000	39.000	0.875	64	21238-4434
35.433	37.402	0.787	23	25003-4872	37.000	39.000	1.000	23	25003-4435
35.433	38.583	0.906	59	24700-5620	37.000	39.000	1.250	142	21432-5515
35.437	37.437	0.812	23	25003-8200	37.000	39.250	0.875	26	24600-0831
35.500	37.500	0.812	23	25003-9645	37.125	39.125	1.250	142	21432-6996
35.500	37.500	0.875	26	24600-0549	37.250	38.375	1.250	142	21432-9683
35.500	37.500	0.875	59	24700-0549	37.250	39.250	0.812	23	25003-5202
35.500	37.500	0.875	64	21238-4553	37.250	39.250	0.875	59	24700-0560
35.500	37.500	1.000	23	25003-7695	37.250	39.250	0.875	64	21238-4436
35.500	37.500	1.500	142	21432-7819	37.375	38.625	0.500	76	26193-8961
35.500	38.000	1.000	59	24700-5595	37.375	39.375	0.812	23	25003-5709
35.750	37.750	0.812	23	25003-5658	37.402	38.902	0.750	23	25003-7641
35.795	37.795	1.500	142	21432-7918	37.402	39.921	0.984	59	24700-4824
36.000	36.125	1.250	142	21432-9337	37.437	39.500	0.875	64	21238-3847
36.000	37.000	0.500	23	25003-5885	37.438	39.500	0.875	59	24700-0561
36.000	37.500	0.750	23	25003-5714	37.500	39.000	0.750	64	21238-9411
36.000	37.998	0.875	59	24700-0550	37.500	39.000	0.875	59	24700-0562
36.000	38.000	0.750	23	25003-5662	37.500	39.500	0.750	59	24700-0563
36.000	38.000	0.812	23	25003-6406	37.500	39.500	0.750	88	26088-7810
36.000	38.000	0.875	59	24700-0551	37.500	39.500	0.750	88NS	26188-7810
36.000	38.000	0.875	64	21238-4421	37.500	39.500	0.812	21	25001-9554
36.000	38.000	0.875	87	26080-4421	37.500	39.500	0.812	23	25003-9554
36.000	38.000	1.000	53	21086-3843	37.500	39.500	0.875	23	25003-4438
36.000	38.000	1.250	142	21432-6722	37.500	39.500	0.875	53	21086-4438
36.000	38.000	1.500	142	21432-4829	37.500	39.500	0.875	59	24700-3699
36.000	38.500	0.875	59	24700-0552	37.500	39.500	0.875	64	21238-4438
36.000	38.500	1.000	53	21086-3844	37.500	40.250	1.000	59	24700-0564
36.000	39.500	1.500	59	24700-0553	37.795	40.157	0.875	59	24700-2991
36.031	38.031	0.812	23	25003-5013	37.795	40.945	0.906	59	24700-0565
36.220	37.717	0.750	64	21238-7770	37.812	39.812	0.812	23	25003-5622
36.460	38.460	0.812	23	25003-8172	37.812	40.945	0.875	88	26088-4685
36.500	38.000	0.750	64	21238-4429	37.812	40.945	0.875	88NS	26188-4685
36.500	38.250	0.812	23	25003-8684	37.875	39.875	1.250	142	21432-4896
36.500	38.438	0.812	23	25003-7875	38.000	39.000	0.500	23	25003-7751
36.500	38.438	1.000	23	25003-0880	38.000	39.500	0.750	23	25003-7548
36.500	38.500	0.812	23	25003-7813	38.000	40.000	0.625	59	24700-4584
36.500	38.500	0.875	59	24700-0554	38.000	40.000	0.812	23	25003-7863
36.500	38.500	0.875	64	21238-4430	38.000	40.000	0.875	59	24700-0568
36.500	39.000	0.750	23	25003-1728	38.000	40.000	0.875	64	21238-4448
36.500	39.000	0.750	59	24700-2000	38.000	40.000	1.000	23	25003-1877
36.535	38.535	1.375	142	21432-7222	38.000	40.000	1.250	142	21432-4453
36.625	38.625	0.812	23	25003-9219	38.000	41.000	0.875	64	21238-4340

All dimensions are in inches. Preferred sizes are indicated with **bold** type face.

Sizes listed are for standard nitrile elements, except Models 25 and 62 which have PTFE elements. Other material available on inquiry only.

Oil Seals by Shaft Size

Garlock

SHAFT	BORE	WIDTH	MODEL NO.	PART NO.	SHAFT	BORE	WIDTH	MODEL NO.	PART NO.
38.250	40.250	0.812	23	25003-5601	40.000	42.500	0.875	64	21238-8791
38.250	40.250	0.875	59	24700-0569	40.000	42.500	1.000	64	21238-8599
38.250	40.250	0.875	64	21238-4454	40.125	42.125	1.500	142	21432-4964
38.250	40.750	0.750	59	24700-0570	40.157	41.339	0.750	23	25003-4386
38.250	40.750	0.875	64	21238-4567	40.250	41.250	0.500	23	25003-7752
38.250	40.750	0.875	88	26088-4567	40.250	41.750	0.750	23	25003-7550
38.250	40.750	0.875	88NS	26188-4567	40.265	41.765	0.750	23	25003-2265
38.250	41.250	0.875	64	21238-4569	40.500	41.500	0.500	23	25003-9735
38.258	40.750	0.875	59	24700-0571	40.500	42.000	0.750	23	25003-5174
38.358	40.750	0.875	64	21238-4342	40.500	42.500	0.812	23	25003-5219
38.500	40.500	0.812	21	25001-6473	40.500	42.500	0.875	59	24700-0584
38.500	40.500	0.812	23	25003-6473	40.500	42.500	0.875	64	21238-4468
38.500	40.750	0.750	23	25003-9904	40.500	42.500	1.000	53	21086-4469
38.500	41.000	0.875	64	21238-4349	40.500	42.500	1.500	142	21432-7605
38.500	41.000	1.000	59	24700-0577	40.500	43.000	0.875	59	24700-0585
38.750	40.687	0.812	21	25001-5376	40.500	43.000	0.875	64	21238-7300
38.750	40.687	0.812	23	25003-5376	40.500	43.020	0.875	64	21238-1964
38.750	40.750	0.812	23	25003-9641	40.533	42.283	0.875	23	25003-1622
38.750	40.750	0.875	59	24700-0578	40.750	42.000	0.687	23	25003-9913
38.750	40.750	0.875	64	21238-4456	40.750	42.000	0.750	23	25003-9900
38.750	41.000	0.875	64	21238-4570	41.000	42.500	0.750	23	25003-5873
38.937	41.000	0.875	64	21238-4462	41.000	43.000	0.812	23	25003-9568
38.976	40.945	0.866	59	24700-4100	41.000	43.000	1.250	142	21432-9745
39.000	40.000	0.500	23	25003-9602	41.000	43.000	1.500	142	21432-6514
39.000	40.747	0.787	23	25003-6891	41.125	43.125	1.000	23	25003-1983
39.000	40.938	1.000	23	25003-0881	41.250	42.750	0.750	23	25003-4471
39.000	41.000	0.750	59	24700-0579	41.250	43.250	0.750	23	25003-9777
39.000	41.000	0.812	23	25003-6237	41.432	43.307	0.787	59	24700-4137
39.000	41.000	0.875	64	21238-4465	41.500	43.000	1.000	142	21432-9650
39.000	41.000	1.250	142	21432-5762	41.500	43.500	0.875	59	24700-0586
39.000	41.500	0.750	23	25003-1957	41.500	43.500	0.875	64	21238-4635
39.000	41.500	0.875	59	24700-0580	41.500	43.500	0.875	87	26080-4635
39.000	41.500	0.875	64	21238-4350	41.500	43.500	1.250	142	21432-6997
39.000	42.250	0.875	64	21238-4577	41.500	43.500	1.500	142	21432-7479
39.250	40.750	0.750	23	25003-5326	41.625	43.625	0.812	23	25003-9549
39.250	41.250	0.812	23	25003-9200	41.625	44.000	0.875	59	24700-2521
39.370	41.338	0.875	59	24700-3080	41.812	45.000	1.000	59	24700-0587
39.370	41.338	0.875	64	21238-1073	41.875	43.500	1.000	64	21238-8628
39.370	41.339	0.906	59	24700-2873	41.929	43.929	0.813	23	25003-5267
39.500	40.500	0.500	23	25003-7470	41.938	43.750	0.875	59	24700-0588
39.500	41.500	0.812	23	25003-5204	42.000	43.500	1.000	142	21432-9946
39.500	41.500	1.250	142	21432-9638	42.000	44.000	0.812	21	25001-6407
39.750	41.750	0.812	23	25003-8509	42.000	44.000	0.812	23	25003-6407
39.750	42.250	0.875	59	24700-0581	42.062	44.062	0.812	23	25003-9878
39.750	42.250	0.875	64	21238-7538	42.250	44.250	0.812	23	25003-5804
39.979	41.500	1.000	59	24700-0582	42.250	44.250	1.000	59	24700-0589
40.000	41.500	0.750	23	25003-5625	42.375	44.375	0.750	23	25003-9238
40.000	42.000	0.812	23	25003-6059	42.500	43.500	0.500	23	25003-6268
40.000	42.000	0.875	59	24700-0583	42.500	44.250	0.875	64	21238-5555
40.000	42.000	0.875	64	21238-4467	42.500	44.500	0.750	23	25003-7199
40.000	42.000	1.000	87	26080-4498	42.500	44.500	0.812	23	25003-9686
40.000	42.000	1.000	111	21011-4498	42.500	45.000	0.750	59	24700-3171

All dimensions are in inches. Preferred sizes are indicated with **bold** type face.

Sizes listed are for standard nitrile elements, except Models 25 and 62 which have PTFE elements. Other material available on inquiry only.

SHAFT	BORE	WIDTH	MODEL NO.	PART NO.	SHAFT	BORE	WIDTH	MODEL NO.	PART NO.
42.500	45.000	0.875	64	21238-4473	45.747	47.516	0.787	23	25003-6889
42.500	45.000	0.875	87	26080-4473	45.750	47.750	0.750	23	25003-5409
42.500	45.500	0.875	64	21238-6269	45.750	47.768	0.875	59	24700-0599
42.520	45.039	0.984	59	24700-3949	46.000	48.000	0.812	23	25003-5107
42.750	43.750	0.375	23	25003-9625	46.000	48.000	0.875	59	24700-0600
42.750	43.750	0.500	23	25003-5081	46.250	47.750	0.750	23	25003-4572
42.750	44.250	0.750	23	25003-4556	46.250	48.250	0.812	23	25003-5823
42.913	44.913	0.812	23	25003-5829	46.500	48.500	0.875	59	24700-0601
42.992	44.492	0.750	23	25003-1634	46.500	48.500	0.875	64	21238-4578
43.000	45.000	0.812	23	25003-7827	46.500	48.500	1.250	142	21432-9886
43.000	45.000	0.875	59	24700-0590	46.850	48.819	0.875	64	21238-8317
43.000	45.500	0.875	64	21238-7189	47.000	49.000	0.812	23	25003-5744
43.125	44.625	0.750	23	25003-9188	47.000	49.000	0.875	59	24700-0602
43.500	45.000	0.750	23	25003-6885	47.000	49.000	1.500	142	21432-9794
43.500	45.500	0.750	59	24700-0591	47.250	49.250	0.812	23	25003-5905
43.500	45.500	0.875	59	24700-1959	47.375	48.875	0.750	23	25003-7543
43.500	45.500	0.875	64	21238-4637	47.500	49.500	0.875	59	24700-5447
43.500	45.500	0.875	88	26088-4637	47.500	49.500	1.250	142	21432-9579
43.500	45.500	0.875	88NS	26188-4637	47.500	49.500	1.375	142	21432-5924
43.500	45.500	1.500	142	21432-8395	47.500	49.500	1.500	142	21432-9343
43.504	45.669	0.984	64	21238-0586	47.625	49.625	1.500	142	21432-5521
43.543	45.543	0.812	23	25003-5287	47.750	49.750	0.812	23	25003-8228
43.562	45.562	1.000	23	25003-7820	47.750	49.750	1.500	142	21432-7993
43.750	45.750	0.875	59	24700-0592	47.750	50.500	1.125	59	24700-0603
43.750	45.750	0.875	64	21238-4638	47.875	49.875	0.812	23	25003-9894
44.000	45.500	0.750	23	25003-5766	48.000	49.500	0.750	23	25003-9403
44.000	46.000	0.812	23	25003-5386	48.000	50.000	0.750	23	25003-1118
44.000	46.000	0.875	59	24700-0593	48.000	50.000	0.812	23	25003-6671
44.000	46.000	0.875	64	21238-7087	48.000	50.000	0.875	64	21238-8579
44.000	46.000	1.250	142	21432-9865	48.000	50.000	1.000	23	25003-4608
44.000	46.000	1.375	142	21432-7552	48.000	50.000	1.000	59	24700-3172
44.000	46.000	1.500	142	21432-6617	48.000	50.000	1.250	142	21432-8568
44.000	46.500	0.875	59	24700-0594	48.250	50.250	0.875	59	24700-0604
44.000	46.500	0.875	64	21238-4475	48.250	50.250	0.875	64	21238-4639
44.000	47.000	0.875	59	24700-3470	48.865	50.865	1.500	142	21432-9850
44.000	47.000	1.250	59	24700-0595	48.875	50.875	0.812	23	25003-7018
44.094	46.063	0.812	23	25003-2477	49.000	50.500	0.562	23	25003-6315
44.185	46.188	0.812	23	25003-0460	49.000	50.500	1.000	142	21432-5243
44.290	45.790	0.750	23	25003-9908	49.000	50.750	1.000	59	24700-0605
44.337	45.837	0.750	23	25003-9918	49.000	51.000	0.812	23	25003-9848
44.500	46.000	0.750	64	21238-4563	49.000	51.000	1.250	142	21432-9229
44.500	46.000	0.875	59	24700-0596	49.213	51.732	0.984	59	24700-4599
44.500	46.500	0.812	23	25003-5727	49.250	50.750	0.750	23	25003-9545
45.000	46.500	0.750	23	25003-5579	49.250	51.125	0.812	23	25003-7825
45.000	46.625	1.000	64	21238-8903	49.250	51.250	0.812	23	25003-7102
45.000	46.750	0.875	23	25003-1275	49.498	51.375	0.812	23	25003-5061
45.000	46.750	0.875	59	24700-0597	49.500	50.750	0.750	23	25003-0948
45.000	47.000	0.812	23	25003-6348	49.500	51.250	0.812	23	25003-7830
45.000	47.000	0.875	59	24700-0598	49.500	51.325	0.850	23	25003-1907
45.125	47.125	0.812	23	25003-6512	49.500	51.500	0.812	23	25003-6565
45.250	47.125	0.812	23	25003-8210	49.500	52.250	1.000	59	24700-0606
45.500	47.500	1.500	142	21432-5113	49.625	50.875	0.562	23	25003-7817

All dimensions are in inches. Preferred sizes are indicated with **bold** type face. Sizes listed are for standard nitrile elements, except Models 25 and 62 which have PTFE elements. Other material available on inquiry only.

Oil Seals by Shaft Size

Garlock

SHAFT	BORE	WIDTH	MODEL NO.	PART NO.	SHAFT	BORE	WIDTH	MODEL NO.	PART NO.
50.000	51.000	0.500	23	25003-7227	55.500	57.500	0.812	23	25003-5385
50.000	51.500	0.750	23	25003-5618	55.750	56.750	0.750	142	21432-5471
50.000	52.000	0.812	23	25003-9820	55.750	57.750	1.250	142	21432-5648
50.000	52.000	0.875	23	25003-8198	55.906	57.874	0.812	23	25003-2623
50.000	52.000	0.875	59	24700-0607	56.102	58.346	0.750	23	25003-9917
50.000	52.000	0.875	64	21238-8198	56.250	58.125	0.812	23	25003-7785
50.000	52.250	0.750	23	25003-2703	57.000	59.000	0.812	23	25003-1872
50.500	52.500	0.812	23	25003-7755	57.000	59.000	0.827	23	25003-1733
50.984	52.165	0.787	87	26080-2886	57.086	59.086	0.812	23	25003-5264
51.000	52.000	0.500	23	25003-5245	57.375	58.875	0.750	23	25003-9327
51.000	52.875	0.812	23	25003-5577	57.500	59.500	0.812	23	25003-4440
51.000	53.000	0.750	23	25003-1121	57.875	58.875	0.500	23	25003-5735
51.000	53.000	0.812	23	25003-6775	57.875	60.000	0.938	59	24700-0614
51.250	53.250	0.875	64	21238-6747	58.000	60.000	0.750	23	25003-6989
51.250	53.300	0.875	64	21238-1914	58.000	60.000	0.812	23	25003-9781
51.500	53.500	1.250	142	21432-9235	58.500	60.500	0.812	23	25003-5902
51.500	53.500	1.500	142	21432-8672	58.550	60.550	1.250	142	21432-9605
51.575	53.575	0.812	23	25003-9938	59.000	61.000	0.875	59	24700-0615
52.000	53.000	0.500	23	25003-5273	59.000	61.000	0.875	64	21238-5482
52.000	54.000	0.750	23	25003-9779	59.250	61.250	0.812	23	25003-9843
52.000	54.000	0.812	23	25003-4761	59.500	61.500	1.250	142	21432-9332
52.000	54.000	1.500	142	21432-9233	59.750	60.750	0.500	23	25003-6653
52.186	54.186	0.812	23	25003-0459	60.000	61.500	0.750	23	25003-7544
52.250	54.125	0.812	23	25003-9202	60.000	62.000	0.750	23	25003-9236
52.500	54.500	0.812	23	25003-5433	60.000	62.000	0.812	23	25003-7911
52.500	55.000	0.750	23	25003-0417	61.000	63.000	0.812	23	25003-5689
52.500	55.000	0.875	59	24700-0608	61.024	63.386	0.984	64	21238-8622
52.875	53.875	0.500	23	25003-9899	61.250	62.250	0.500	23	25003-9310
53.000	54.875	0.812	23	25003-6582	61.250	63.250	1.000	59	24700-0616
53.000	54.875	0.813	59	24700-0610	61.417	63.417	0.812	23	25003-2475
53.000	54.882	0.881	23	25003-3140	61.810	63.810	0.812	23	25003-5587
53.000	55.000	0.812	23	25003-8058	62.000	64.000	0.812	23	25003-4856
53.150	55.669	0.866	64	21238-7065	62.500	64.000	0.875	59	24700-0617
53.185	54.190	0.812	23	25003-2308	62.500	64.500	0.875	59	24700-0618
53.250	54.250	0.500	23	25003-5596	63.000	65.000	0.812	23	25003-9599
53.500	55.000	0.750	23	25003-9395	63.327	65.748	0.787	64	21238-8557
53.543	55.543	0.812	23	25003-7106	63.500	65.500	0.812	23	25003-7015
53.625	54.625	0.500	23	25003-5634	63.500	65.500	1.250	142	21432-9292
54.000	56.000	0.812	23	25003-9912	63.650	65.650	1.250	142	21432-9627
54.000	56.000	1.000	59	24700-0611	63.780	65.551	0.787	59	24700-3961
54.000	56.000	1.250	142	21432-8659	64.000	65.375	0.875	59	24700-3903
54.331	56.299	0.984	23	25003-9919	64.000	66.000	0.812	23	25003-8324
54.331	56.693	0.984	64	21238-8594	64.409	66.929	0.866	64	21238-4979
54.500	56.500	0.812	23	25003-5510	64.488	66.488	0.812	23	25003-5586
54.750	56.375	0.875	59	24700-0612	64.500	66.500	0.812	23	25003-9289
55.000	56.000	0.500	23	25003-5274	65.000	67.000	0.812	23	25003-6915
55.000	56.500	0.750	23	25003-9394	65.250	67.250	0.812	23	25003-9344
55.000	57.000	0.812	23	25003-9427	65.354	67.354	0.812	23	25003-9806
55.000	57.000	1.250	142	21432-9923	66.000	68.000	0.812	23	25003-8563
55.125	58.000	0.750	23	25003-1453	66.500	68.000	0.750	23	25003-5811
55.250	56.500	0.750	23	25003-1227	66.500	68.500	0.812	23	25003-8618
55.500	57.500	0.750	59	24700-0613	66.500	69.000	0.812	23	25003-8872

All dimensions are in inches. Preferred sizes are indicated with **bold** type face.

Sizes listed are for standard nitrile elements, except Models 25 and 62 which have PTFE elements. Other material available on inquiry only.

SHAFT	BORE	WIDTH	MODEL NO.	PART NO.	SHAFT	BORE	WIDTH	MODEL NO.	PART NO.
66.875	68.000	0.562	23	25003-1091	89.000	91.000	0.812	23	25003-9322
67.000	68.500	0.750	23	25003-7424	91.340	92.840	0.750	23	25003-9710
67.000	69.000	0.812	23	25003-8750	93.000	95.000	0.812	23	25003-9269
67.750	69.750	1.250	142	21432-5422	93.600	95.100	1.000	142	21432-9514
68.000	70.000	0.750	23	25003-9290	94.000	96.000	0.812	23	25003-7291
68.000	70.000	0.812	23	25003-8748	95.875	97.875	0.812	23	25003-5787
68.000	70.000	1.000	23	25003-2205	96.620	98.620	0.812	23	25003-7137
68.500	70.500	0.812	23	25003-9800	98.000	99.500	0.750	23	25003-5805
68.968	70.957	0.787	23	25003-9897	98.750	100.750	0.812	23	25003-7334
69.000	71.000	0.812	23	25003-7643					
69.125	71.125	0.812	23	25003-3138					
69.375	71.375	0.812	23	25003-5533					
70.000	71.000	0.500	23	25003-9920					
70.000	72.000	0.812	23	25003-6424					
70.000	72.000	0.875	59	24700-3573					
70.500	72.500	0.812	23	25003-5760					
70.688	72.688	0.875	23	25003-4658					
71.000	73.000	0.812	23	25003-9945					
71.000	73.000	1.250	142	21432-9291					
71.250	73.250	0.812	23	25003-7756					
72.500	74.000	0.750	23	25003-2144					
73.000	75.000	0.812	23	25003-6276					
74.000	76.000	0.812	23	25003-8865					
74.409	76.929	0.984	64	21238-9010					
74.500	76.000	0.750	23	25003-5624					
74.500	76.500	0.812	23	25003-0952					
75.000	76.000	0.375	23	25003-4702					
75.000	76.500	0.750	23	25003-1697					
75.000	77.000	0.812	23	25003-9869					
75.000	77.000	1.000	23	25003-3147					
75.188	77.188	0.812	23	25003-0720					
75.750	77.750	1.250	142	21432-5529					
76.000	78.000	0.812	23	25003-7583					
76.250	78.250	0.812	23	25003-8279					
76.500	78.500	0.812	23	25003-6130					
77.500	79.500	0.812	23	25003-5236					
79.500	81.500	0.812	23	25003-5796					
80.000	82.000	0.812	23	25003-6905					
80.500	82.437	0.812	23	25003-5806					
80.500	82.500	0.812	23	25003-5757					
81.000	83.000	0.812	23	25003-7871					
82.283	84.252	0.812	23	25003-4912					
82.677	84.645	0.812	23	25003-8802					
84.000	85.000	0.500	23	25003-5663					
84.000	86.000	0.812	23	25003-5279					
85.000	87.000	0.812	23	25003-5297					
86.000	88.000	0.812	23	25003-5816					
86.417	88.417	0.812	23	25003-7696					
87.000	89.000	0.812	23	25003-7624					
88.031	90.031	0.812	23	25003-4919					
88.100	89.600	1.000	142	21432-9513					
88.583	90.583	0.812	23	25003-9953					

All dimensions are in inches. Preferred sizes are indicated with **bold** type face. Sizes listed are for standard nitrile elements, except Models 25 and 62 which have PTFE elements. Other material available on inquiry only.

Garlock

Oil Seals by Shaft Size (Metric)

SHAFT	BORE	WIDTH	MODEL NO.	PART NO.	SHAFT	BORE	WIDTH	MODEL NO.	PART NO.
8	18	5.0	61	24060-1748	19	40	8.0	63	21158-0145
10	19	7.0	92	27063-0004	19	40	8.0	66	21527-0145
10	25	7.0	92	27063-0012	19	40	10.0	63	21158-0146
11	26	7.0	71	26001-7008	19	40	15.0	63T2	23550-5214
11	30	8.0	63	21158-8101	19	42	8.0	63	21158-8035
11	32	8.0	63	21158-8011	19	47	8.0	63	21158-4935
11	35	8.0	63	21158-8337	19	47	10.0	63	21158-6120
12	22	7.0	92	27063-0020	19	47	10.0	94	27223-6120
12	25	7.0	92	27063-0022	20	30	7.0	92	27063-0120
12	28	7.0	61	24060-0024	20	32	7.0	92	27063-0154
12	28	7.0	92	27063-0024	20	32	17.5	EQ	24801-1905
12	30	8.0	63	21158-8012	20	35	7.0	92	27063-0164
12	32	8.0	63	21158-6623	20	35	8.0	61	24060-1760
12	35	8.0	63	21158-8338	20	35	16.0	IG	29500-4868
14	24	7.0	92	27063-0026	20	40	7.0	92	27063-0184
15	24	7.0	92	27063-0028	20	40	16.0	EQ	24801-4596
15	26	7.0	92	27063-0030	20	40	19.0	IG	29500-4448
15	30	8.0	63	21158-8020	20	42	7.0	92	27063-0188
15	30	8.0	61	24060-8020	20	42	16.0	EQ	24801-5325
15	32	7.0	92	27063-0032	20	47	7.0	61	24060-0194
15	32	8.0	63	21158-8021	20	47	7.0	92	27063-0194
15	35	7.0	92	27063-0033	20	52	10.0	92	27063-0196
15	35	8.0	63	21158-8109	22	32	7.0	76	26193-9855
15	40	8.0	63	21158-0085	22	35	7.0	61	24060-1232
15	40	8.0	62	21702-0085	22	35	7.0	26R1	24620-0209
16	27	5.0	71	26001-7022	22	40	7.0	92	27063-0198
16	30	7.0	92	27063-0048	22	40	8.0	61	24060-1470
16	30	8.0	63	21158-8023	22	47	7.0	92	27063-0206
16	30	8.0	61	24060-2280	22	50	16.0	EQ	24801-3088
16	32	8.0	63	21158-4680	22	50	19.0	IG	29502-5794
16	35	8.0	63	21158-8342	23	40	8.0	63	21158-0235
16	40	8.0	63	21158-0095	23	40	8.0	62	21702-0235
16	40	10.0	63	21158-0096	23	40	10.0	63	21158-0236
16	40	10.0	94	27223-0096	23	42	8.0	63	21158-8050
17	28	7.0	76	26193-9856	23	47	10.0	63	21158-8051
17	28	7.0	92	27063-9856	23	52	10.0	63	21158-8052
17	28	8.0	61	24060-1754	24	35	7.0	92	27063-0209
17	30	7.0	92	27063-0064	24	40	7.0	92	27063-0210
17	35	8.0	61	24060-1755	24	44	16.0	EQ	24801-3263
17	40	7.0	92	27063-0066	24	49	12.0	26R1	24620-3712
17	40	14.0	63T2	23550-7405	25	35	7.0	61	24060-0212
17	40	16.0	EQ	24801-5416	25	35	7.0	92	27063-0212
18	30	7.0	92	27063-0074	25	35	8.0	61	24060-1478
19	27	3.0	71	26001-7029	25	37	7.0	92	27063-0230
19	27	5.0	71	26001-7028	25	38	7.0	26R1	24620-0280
19	32	7.0	92	27063-0118	25	42	7.0	92	27063-0232
19	32	8.0	63	21158-8033	25	42	8.0	61	24060-1761
19	32	8.0	66	21527-8033	25	45	15.9	IG	29519-5736
19	32	11.0	63	21158-3870	25	47	7.0	92	27063-0250
19	35	8.0	63	21158-8344	25	47	10.0	63	21158-6859
19	38	16.0	EQ	24801-5223	25	47	10.0	61	24060-6859
19	40	7.0	92	27063-6289	25	47	16.0	EQ	24801-4563

All dimensions are in mm. Preferred sizes are indicated with **bold** type face.

Sizes listed are for standard nitrile elements, except Models 25 and 62 which have PTFE elements. Other material available on inquiry only.

Oil Seals by Shaft Size (Metric)

Garlock

SHAFT	BORE	WIDTH	MODEL NO.	PART NO.	SHAFT	BORE	WIDTH	MODEL NO.	PART NO.
25	47	16.0	IG	29500-4563	30	62	19.0	IG	29500-5584
25	48	19.0	IG	29500-5534	30	72	8.0	92	27063-0348
25	50	16.0	EQ	24801-5593	30	72	10.0	63	21158-4597
25	50	18.0	EQ	24801-1978	30	72	10.0	94	27223-4697
25	52	7.0	92	27063-0254	30	72	19.0	IG	29500-4422
25	52	10.0	63	21158-4687	31	52	5.0	76	26193-7515
25	52	10.0	62	21702-4687	31	52	10.0	63	21158-8068
25	52	12.5	EQ	24801-0773	31	54	11.0	63	21158-0413
26	42	7.0	92	27063-0262	32	43	10.0	26	24600-0449
26	47	7.0	92	27063-0272	32	45	8.0	61	24060-2224
27	40	8.0	63	21158-0321	32	47	7.0	92	27063-0350
27	40	8.0	66	21527-0321	32	47	8.0	61	24060-1776
27	40	10.0	63	21158-0322	32	47	16.0	IG	29500-4922
27	42	8.0	63	21158-8062	32	52	7.0	92	27063-0364
27	47	10.0	63	21158-8063	32	52	9.0	61	24060-2212
27	52	10.0	63	21158-8064	32	54	10.0	61	24060-2784
28	38	7.0	92	27063-0280	33	45	8.0	61	24060-1784
28	40	7.0	92	27063-0284	33	47	8.0	61	24060-1785
28	40	10.0	61	24060-2715	34	54	10.0	63	21158-0514
28	47	10.0	63	21158-5562	34	54	11.0	63	21158-0515
28	47	10.0	61	24060-1233	34	55	8.0	26R1	24620-0574
28	47	10.0	61	24060-5562	34	62	10.0	63	21158-8072
28	47	17.5	EQ	24801-2842	35	47	7.0	92	27063-0366
30	40	7.0	61	24060-0312	35	47	8.0	61	24060-1787
30	40	7.0	92	27063-0312	35	47	10.0	61	24060-1788
30	42	7.0	92	27063-0316	35	47	10.0	61	24060-1788
30	42	8.0	61	24060-1763	35	47	16.0	IG	29500-4924
30	42	16.0	IG	29500-4920	35	50	7.0	61	24060-2119
30	45	8.0	92	27063-0318	35	50	7.0	92	27063-0368
30	45	16.0	IG	29500-5204	35	50	8.0	26R1	24620-0572
30	47	7.0	61	24060-0320	35	50	10.0	61	24060-1789
30	47	7.0	92	27063-0320	35	50	16.0	IG	29500-4925
30	47	10.0	63	21158-9342	35	52	7.0	26	24600-1139
30	47	10.0	61	24060-9342	35	52	10.0	63	21158-6655
30	47	17.5	EQ	24801-3638	35	52	10.0	62	21702-6655
30	48	8.0	92	27063-0332	35	52	16.0	IG	29500-4926
30	50	7.0	26	24600-0378	35	54	10.0	66	21527-0541
30	50	11.0	26R1	24620-0379	35	54	10.0	67	21528-0541
30	50	19.0	IG	29500-5599	35	54	10.0	62	21702-0541
30	52	7.0	92	27063-0341	35	54	10.0	68	21823-0541
30	52	10.0	61	24060-2803	35	54	10.0	26	24600-1829
30	52	10.0	62	21702-3877	35	54	10.0	76	26193-0541
30	52	10.0	63	21158-3877	35	54	11.0	63	21158-0542
30	52	10.0	66	21527-3877	35	54	11.0	62	21702-0542
30	54	10.0	63	21158-0394	35	54	13.0	63	21158-0543
30	54	10.0	66	21527-0394	35	54	13.0	62	21702-0543
30	54	11.0	63	21158-0395	35	54	15.0	63F1	23078-7567
30	60	12.5	EQ	24801-1122	35	54	16.0	63F1	23078-9833
30	62	6.0	71	26001-7060	35	54	17.0	63R1	23547-6479
30	62	7.0	92	27063-0342	35	54	17.0	63R2	23548-6479
30	62	10.0	63	21158-4600	35	54	17.0	63T2	23550-6479
30	62	10.0	94	27223-4600	35	55	8.0	92	27063-0371

All dimensions are in mm. Preferred sizes are indicated with **bold** type face.

Sizes listed are for standard nitrile elements, except Models 25 and 62 which have PTFE elements. Other material available on inquiry only.

Garlock

Oil Seals by Shaft Size (Metric)

SHAFT	BORE	WIDTH	MODEL NO.	PART NO.	SHAFT	BORE	WIDTH	MODEL NO.	PART NO.
35	55	11.0	26R1	24620-0573	40	62	10.0	63	21158-8610
35	55	16.0	EQ	24801-2260	40	62	11.0	26R1	24620-0729
35	55	19.0	IG	29500-4529	40	62	19.0	IG	29500-4808
35	57	10.0	26	24600-0575	40	65	7.0	26	24600-1228
35	60	16.0	EQ	24801-1752	40	65	10.0	61	24060-1912
35	62	7.0	92	27063-0376	40	65	12.0	26R1	24620-1030
35	62	8.0	94	27223-5091	40	72	7.0	92	27063-0435
35	62	10.0	63	21158-6658	40	78	19.0	IG	29500-4441
35	62	10.0	66	21527-6658	40	80	10.0	92	27063-0449
35	62	13.0	26	24600-0708	40	80	16.0	EQ	24801-2631
35	72	8.0	94	27223-6639	40	87	16.0	EQ	24801-3915
35	72	10.0	63	21158-4584	40	100	16.0	EQ	24801-3498
35	72	10.0	67	21528-4584	41	61	19.0	IG	29500-4825
35	72	10.0	68	21823-4584	42	55	9.0	26	24600-0759
35	73	10.0	63	21158-9612	42	55	10.0	26	24600-0791
35	80	10.0	94	27223-6557	42	55	16.0	IG	29500-4938
35	80	16.0	EQ	24801-3087	42	60	7.0	92	27063-0452
35	88	12.5	EQ	24801-0913	42	60	10.0	61	24060-1792
35	88	13.0	26	24600-0913	42	62	8.0	26	24600-1096
36	47	7.0	92	27063-0378	42	62	10.0	63	21158-8082
36	52	10.0	63	21158-7748	42	62	10.0	61	24060-1793
36	54	7.0	92	27063-0379	42	62	16.0	EQ	24801-2918
37	50	8.0	92	27063-9965	42	62	19.0	IG	29500-5540
37	52	8.0	92	27063-6218	42	65	16.0	EQ	24801-2611
38	54	7.0	61	24060-1791	42	66	16.0	EQ	24801-2127
38	54	8.0	61	24060-1790	42	72	10.0	63	21158-8083
38	54	10.0	61	24060-1794	42	73	10.0	63	21158-0817
38	55	7.0	92	27063-0381	43	54	5.0	76	26193-7527
38	55	10.0	61	24060-1484	43	54	5.0	92	27063-7527
38	55	16.0	IG	29500-4934	43	62	10.0	63	21158-7456
38	55	17.5	EQ	24801-2839	43	70	8.0	61	24060-2532
38	62	7.0	92	27063-0382	43	70	10.0	63	21158-0847
39	62	10.0	63	21158-8076	43	70	10.0	66	21527-0847
39	70	10.0	63	21158-0694	43	70	11.0	63	21158-0848
40	52	7.0	26	24600-5918	43	70	13.0	63	21158-0849
40	52	7.0	92	27063-0391	43	72	10.0	63	21158-7126
40	52	16.0	IG	29500-4718	43	73	10.0	63	21158-0853
40	52	17.5	EQ	24801-1359	43	73	10.0	66	21527-0853
40	55	7.0	92	27063-0392	43	73	11.0	63	21158-0854
40	55	8.0	61	24060-2055	43	73	13.0	63	21158-0855
40	55	10.0	61	24060-1931	43	73	15.0	63F1	23078-9667
40	56	7.0	92	27063-0393	44	60	9.0	26R1	24620-0895
40	58	8.0	92	27063-0406	44	72	10.0	63	21158-7865
40	58	10.0	61	24060-2136	45	55	16.0	IG	29500-4554
40	58	16.0	IG	29500-5068	45	60	7.0	92	27063-0488
40	60	9.0	26	24600-0733	45	60	8.0	61	24060-1796
40	60	10.0	61	24060-1912	45	60	17.5	EQ	24801-3149
40	60	19.0	IG	29500-5539	45	62	8.0	26R1	24620-0935
40	62	7.0	92	27063-0423	45	62	10.0	58	21003-1797
40	62	8.0	61	24060-0132	45	62	10.0	61	24060-1797
40	62	9.5	61	24060-8610	45	62	10.0	26	24600-1097
40	62	10.0	63	21158-7884	45	62	17.5	EQ	24801-1923

All dimensions are in mm. Preferred sizes are indicated with **bold** type face.

Sizes listed are for standard nitrile elements, except Models 25 and 62 which have PTFE elements. Other material available on inquiry only.

Oil Seals by Shaft Size (Metric)

Garlock

SHAFT	BORE	WIDTH	MODEL NO.	PART NO.	SHAFT	BORE	WIDTH	MODEL NO.	PART NO.
45	65	7.0	61	24060-1798	50	70	16.0	EQ	24801-3225
45	65	8.0	61	24060-1799	50	70	17.5	EQ	24801-3229
45	65	10.0	63	21158-9223	50	70	19.0	IG	29500-4819
45	65	10.0	61	24060-9223	50	72	8.0	61	24060-0571
45	65	10.0	26	24600-4044	50	72	10.0	58	21003-2902
45	65	19.0	IG	29500-5541	50	72	10.0	63	21158-6656
45	67	12.5	EQ	24801-1374	50	72	10.0	66	21527-6656
45	70	19.0	IG	29500-4490	50	72	10.0	61	24060-6656
45	72	8.0	92	27063-0512	50	72	12.0	26R1	24620-1107
45	72	9.0	26	24600-9538	50	72	16.0	EQ	24801-4947
45	72	10.0	61	24060-1800	50	73	10.0	63	21158-1162
45	72	19.0	IG	29502-5930	50	73	10.0	66	21527-1162
45	75	8.0	94	27223-8004	50	73	10.0	62	21702-1162
45	75	19.0	IG	29500-4581	50	73	13.0	63	21158-1164
45	80	10.0	92	27063-0516	50	73	17.0	63F1	23078-5215
45	85	10.0	92	27063-0520	50	75	8.0	61	24060-2422
45	85	19.0	IG	29502-5819	50	75	12.5	EQ	24801-1127
45	90	19.0	IG	29502-5807	50	75	16.0	EQ	24801-1197
45	100	19.0	IG	29500-4678	50	75	19.0	IG	29500-4700
46	70	13.0	63	21158-0987	50	76	19.0	IG	29502-5632
46	72	10.0	63	21158-8088	50	80	8.0	26	24600-1103
46	73	10.0	63	21158-0991	50	80	9.5	61	24060-7415
46	73	15.0	63F1	23078-6592	50	80	10.0	63	21158-7415
46	80	10.0	63	21158-8089	50	80	16.0	EQ	24801-1975
46	90	13.0	26	24600-1002	50	81	10.0	63	21158-1180
47	65	10.0	92	27063-0522	50	81	10.0	66	21527-1180
48	62	8.0	92	27063-0533	50	81	12.0	26	24600-1155
48	65	10.0	61	24060-0534	50	81	16.0	EQ	24801-2969
48	65	10.0	92	27063-0534	50	90	10.0	26R1	24620-1953
48	65	17.5	EQ	24801-2681	50	90	10.0	76	26193-0373
48	70	16.0	EQ	24801-1935	50	90	16.0	EQ	24801-3600
48	70	19.0	IG	29500-4189	50	90	19.0	IG	29500-4553
48	72	8.0	92	27063-0558	50	110	9.0	26R1	24620-2621
48	72	16.0	EQ	24801-4943	50	110	9.5	26	24600-2621
48	73	16.0	IG	29500-5270	50	110	10.0	94	27223-8005
50	62	7.0	26R1	24620-1106	52	68	8.0	92	27063-0572
50	65	8.0	61	24060-0563	52	68	15.9	IG	29507-4948
50	65	8.0	92	27063-0563	52	72	8.0	92	27063-0573
50	65	9.0	26R1	24620-7654	52	75	16.0	EQ	24801-4660
50	65	10.0	61	24060-1814	52	80	19.0	IG	29500-5533
50	65	10.0	61	24061-1814	54	72	10.0	63	21158-8112
50	65	17.5	EQ	24801-3431	54	73	10.0	63	21158-1321
50	67	17.5	EQ	24801-2155	54	73	10.0	66	21527-1321
50	68	8.0	92	27063-0567	54	73	10.0	67	21528-1321
50	68	9.0	26R1	24620-1108	54	73	10.0	62	21702-1321
50	68	16.0	IG	29500-4945	54	73	10.0	68	21823-1321
50	68	17.5	EQ	24801-1846	54	73	10.0	26	24600-1321
50	69	19.0	IG	29500-4880	54	73	10.0	25	25058-1321
50	70	10.0	63	21158-1156	54	73	11.0	63	21158-1322
50	70	10.0	66	21527-1156	54	73	11.0	26	24600-1320
50	70	10.0	61	24060-1156	54	73	12.0	63	21158-5688
50	70	10.0	26	24600-1104	54	73	13.0	63	21158-1323

All dimensions are in mm. Preferred sizes are indicated with **bold** type face.

Sizes listed are for standard nitrile elements, except Models 25 and 62 which have PTFE elements. Other material available on inquiry only.

Garlock

Oil Seals by Shaft Size (Metric)

SHAFT	BORE	WIDTH	MODEL NO.	PART NO.	SHAFT	BORE	WIDTH	MODEL NO.	PART NO.
54	73	13.0	62	21702-1323	58	72	17.5	EQ	24801-3657
54	73	15.0	63F1	23078-4916	58	80	8.0	92	27063-0635
54	73	17.0	63F1	23078-4592	58	80	10.0	63	21158-8363
54	73	17.0	63R2	23548-4592	58	80	12.5	EQ	24801-1985
54	73	17.0	63T2	23550-4592	58	85	10.0	63	21158-8364
54	80	10.0	63	21158-8353	58	85	10.0	92	27063-0642
54	81	10.0	63	21158-1339	58	90	10.0	63	21158-1543
54	81	10.0	66	21527-1339	58	90	16.0	EQ	24801-3025
54	81	11.0	62	21702-1340	58	92	10.0	63	21158-1546
54	81	13.0	63	21158-1341	58	92	13.0	63	21158-1548
54	81	19.0	63F1	23078-7787	58	112	19.0	IG	29502-5931
54	85	10.0	63	21158-8354	59	80	8.0	61	24060-1838
54	90	11.0	26	24600-1355	60	75	8.0	58	21003-1490
54	90	11.0	26R1	24620-1355	60	75	8.0	61	24060-1490
54	92	10.0	94	27223-9670	60	75	8.0	26R1	24620-1605
54	92	11.0	63	21158-3902	60	75	16.0	IG	29500-4458
55	60	8.0	61	24060-1833	60	78	9.0	26	24600-4258
55	70	8.0	61	24060-0574	60	78	10.0	26	24600-1565
55	70	8.0	92	27063-0574	60	80	8.0	92	27063-0653
55	70	17.5	EQ	24801-2675	60	80	9.5	61	24060-0653
55	72	8.0	61	24060-0882	60	80	10.0	26	24600-5115
55	72	8.0	26R1	24620-1369	60	80	10.0	61	24060-1839
55	72	9.0	26	24600-4260	60	80	16.0	EQ	24801-1348
55	72	10.0	61	24060-1835	60	80	16.0	EQ	24801-5431
55	72	16.0	IG	29500-4952	60	80	16.0	IG	29500-1348
55	73	17.5	EQ	24801-2485	60	80	17.5	EQ	24801-3639
55	75	10.0	92	27063-0575	60	80	19.0	IG	29500-5543
55	75	17.5	EQ	24801-3505	60	80	19.0	IG	29500-6231
55	75	19.0	IG	29500-4492	60	82	12.0	26R1	24620-1606
55	78	9.0	26R1	24620-1371	60	84	16.0	IG	29500-5126
55	78	12.0	26R1	24620-1370	60	85	8.0	92	27063-0672
55	78	19.0	IG	29500-5542	60	90	8.0	92	27063-0683
55	80	8.0	92	27063-0576	60	90	14.0	26R1	24620-1031
55	80	10.0	26	24600-3587	60	90	16.0	EQ	24801-2488
55	80	12.0	76	26193-0345	60	110	11.1	61	24060-2584
55	80	16.0	EQ	24801-2005	60	110	13.0	58	21003-2488
55	81	16.0	EQ	24801-1805	61	80	10.0	63	21158-8371
55	85	8.0	92	27063-0585	61	85	10.0	63	21158-8372
55	90	10.0	94	27223-8006	61	90	10.0	63	21158-1708
55	90	16.0	EQ	24801-1906	61	92	10.0	63	21158-1711
55	90	19.0	IG	29500-4744	61	92	10.0	62	21702-1711
55	100	10.0	26	24600-7209	61	100	10.0	63	21158-7926
55	100	10.0	94	27223-7209	62	55	19.0	IG	29500-4860
55	100	16.0	EQ	24801-4447	62	76	16.0	IG	29500-5139
56	70	8.0	92	27063-0588	62	80	10.0	63	21158-8373
56	72	8.0	92	27063-0606	62	80	10.0	61	24060-8373
56	80	8.0	92	27063-0629	62	81	10.0	63	21158-1729
56	80	16.0	EQ	24801-4201	62	81	17.0	63R2	23548-7136
56	80	19.0	IG	29500-5545	62	85	10.0	63	21158-8374
56	85	8.0	92	27063-0633	62	85	10.0	23	25003-0793
57	83	16.0	EQ	24801-1981	62	85	10.0	92	27063-0793
58	72	8.0	92	27063-0745	62	85	16.0	EQ	24801-5488

All dimensions are in mm. Preferred sizes are indicated with **bold** type face.

Sizes listed are for standard nitrile elements, except Models 25 and 62 which have PTFE elements. Other material available on inquiry only.

Oil Seals by Shaft Size (Metric)

Garlock

SHAFT	BORE	WIDTH	MODEL NO.	PART NO.	SHAFT	BORE	WIDTH	MODEL NO.	PART NO.
62	90	10.0	63	21158-1750	69	92	10.0	63	21158-2020
62	90	10.0	62	21702-1750	69	92	10.0	66	21527-2020
62	90	10.0	92	27063-0684	69	100	10.0	63	21158-7933
62	90	11.0	63	21158-1751	70	85	8.0	26R1	24620-2026
62	90	13.0	63	21158-1752	70	90	6.0	26	24600-2071
62	90	13.0	62	21702-1752	70	90	9.5	23	25003-4765
62	92	10.0	63	21158-1753	70	90	10.0	63	21158-2038
62	100	10.0	63	21158-7927	70	90	10.0	66	21527-2038
63	85	10.0	61	24060-1843	70	90	10.0	67	21528-2038
63	85	12.0	61	24060-1845	70	90	10.0	62	21702-2038
63	90	16.0	EQ	24801-3568	70	90	10.0	68	21823-2038
64	80	8.0	92	27063-0698	70	90	10.0	61	24060-2038
64	88	12.0	26	24600-0829	70	90	10.0	26	24600-2070
64	95	19.0	IG	29500-4747	70	90	11.0	63	21158-2039
65	80	10.0	61	24060-1847	70	90	11.0	26	24600-2039
65	82	16.0	IG	29500-5544	70	90	12.0	26R1	24620-1032
65	85	10.0	63	21158-8378	70	90	12.0	61	24060-2814
65	85	10.0	61	24060-0710	70	90	12.5	EQ	24801-2067
65	85	10.0	23	25003-0710	70	90	13.0	63	21158-2040
65	85	10.0	92	27063-0710	70	90	16.0	EQ	24801-2059
65	85	16.0	EQ	24801-2816	70	90	16.0	EQ	24801-2919
65	85	19.0	IG	29500-4532	70	90	19.0	IG	29500-4969
65	88	12.0	26R1	24620-1859	70	92	10.0	63	21158-2041
65	88	16.0	EQ	24801-1858	70	92	10.0	66	21527-2041
65	90	8.0	63	21158-1861	70	92	10.0	67	21528-2041
65	90	10.0	63	21158-1888	70	92	10.0	68	21823-2041
65	90	10.0	61	24060-0729	70	92	11.0	63	21158-2042
65	90	10.0	61	24060-0729	70	92	12.0	26R1	24620-2027
65	90	10.0	23	25003-9162	70	92	12.5	EQ	24801-2078
65	90	10.0	92	27063-0729	70	92	13.0	63	21158-2043
65	90	13.0	63	21158-1890	70	92	16.0	EQ	24801-5095
65	90	16.0	EQ	24801-1883	70	95	15.9	IG	29507-3107
65	90	19.0	IG	29500-4721	70	95	16.0	EQ	24801-3107
65	92	10.0	63	21158-1891	70	95	19.0	IG	29500-4192
65	92	11.0	63	21158-1892	70	100	10.0	63	21158-7934
65	92	11.0	62	21702-1892	70	100	10.0	92	27063-0759
65	92	13.0	63	21158-1893	70	100	12.5	EQ	24801-2087
65	95	10.0	92	27063-0733	70	100	16.0	EQ	24801-2250
65	100	10.0	63	21158-6300	70	102	12.7	26	24600-5598
65	100	10.0	94	27223-6300	70	110	16.0	EQ	24801-3989
65	105	19.0	IG	29502-5646	71	88	12.0	26	24600-2077
65	100	19.0	IG	29502-4966	72	90	10.0	92	27063-0770
65	110	19.0	IG	29500-5367	72	95	10.0	23	25003-1039
65	120	10.0	94	27223-6301	72	95	10.0	92	27063-0776
65	140	10.0	94	27223-6302	72	100	10.0	92	27063-0791
66	86	12.5	EQ	24801-1747	73	92	10.0	63	21158-2115
68	87	9.5	23	25003-1722	73	92	10.0	62	21702-2115
68	90	10.0	92	27063-0735	73	92	11.0	63	21158-2116
68	90	12.5	EQ	24801-1984	73	92	13.0	63	21158-2117
68	90	16.0	EQ	24801-3023	73	100	10.0	63	21158-7938
68	100	10.0	92	27063-0749	75	90	10.0	61	24060-2377
69	90	10.0	63	21158-2017	75	95	10.0	92	27063-0797

All dimensions are in mm. Preferred sizes are indicated with **bold** type face.

Sizes listed are for standard nitrile elements, except Models 25 and 62 which have PTFE elements. Other material available on inquiry only.

Garlock

Oil Seals by Shaft Size (Metric)

SHAFT	BORE	WIDTH	MODEL NO.	PART NO.	SHAFT	BORE	WIDTH	MODEL NO.	PART NO.
75	95	13.0	61	24060-1848	82	101	10.0	26	24600-2111
75	95	13.0	26	24600-3663	82	113	16.0	EQ	24801-3109
75	95	15.9	IG	29507-3316	82	114	13.0	23	25003-1590
75	95	16.0	EQ	24801-3316	84	110	10.0	61	24060-1850
75	95	17.5	EQ	24801-3312	84	110	14.0	26	24600-2562
75	95	19.0	IG	29500-4822	84	110	16.0	EQ	24801-1988
75	100	9.5	61	24060-2966	85	100	10.0	61	24060-1851
75	100	9.5	23	25003-2966	85	100	17.5	EQ	24801-5104
75	100	10.0	61	24060-0809	85	105	10.0	61	24060-1853
75	100	10.0	92	27063-0809	85	105	13.0	26	24600-2310
75	100	12.5	EQ	24801-1078	85	105	16.0	EQ	24801-2523
75	100	13.0	58	21003-1921	85	110	10.0	61	24060-1854
75	100	13.0	26	24600-0827	85	110	12.0	26	24600-2214
75	100	16.0	EQ	24801-2166	85	110	12.0	23	25003-2214
75	100	19.0	IG	29500-4749	85	110	12.0	57	26056-2214
75	107	12.5	23	25003-2105	85	110	12.5	23	25003-2137
75	107	12.7	23	25003-2331	85	110	12.7	23	25003-5650
75	107	13.0	26	24600-2105	85	110	13.0	26	24600-5343
75	110	12.0	92	27063-0819	85	110	16.0	EQ	24801-3161
75	110	19.0	IG	29502-5739	85	110	19.0	IG	29500-4193
75	115	10.0	94	27223-5074	85	115	13.0	92	27063-0833
75	115	12.0	26R1	24620-2908	85	115	14.0	EQ	24801-3584
75	120	12.0	92	27063-0824	85	115	16.0	EQ	24801-2311
78	100	11.0	23	25003-4769	85	120	12.0	53	21086-7394
78	100	16.0	EQ	24801-3024	85	120	12.0	26R1	24620-7394
79	110	19.0	IG	29502-5763	85	120	12.0	23	25003-7394
80	100	10.0	61	24060-1033	85	120	16.0	EQ	24801-5521
80	100	10.0	26R1	24620-1033	85	125	12.0	53	21086-7399
80	100	10.0	23	25003-1033	85	125	19.0	IG	29500-4816
80	100	13.0	26	24600-2238	85	130	13.0	94	27223-6314
80	100	16.0	EQ	24801-2240	85	130	16.0	EQ	24801-5110
80	100	17.5	EQ	24801-3674	86	130	19.0	IG	29500-4748
80	100	19.0	IG	29500-4798	86	135	19.0	IG	29500-4750
80	105	10.0	61	24060-2411	87	119	12.0	26	24600-4224
80	105	13.0	26	24600-2215	88	110	12.0	92	27063-0834
80	105	13.0	26R1	24620-2215	88	110	12.7	23	25003-1772
80	105	16.0	EQ	24801-2272	88	110	15.0	26R1	24620-0846
80	105	19.0	IG	29500-4728	89	120	13.0	53	21086-7963
80	110	6.0	26	24600-2243	89	125	14.0	53	21086-8877
80	110	10.0	92	27063-0831	89	127	13.0	53	21086-2378
80	110	12.0	53	21086-7426	89	127	13.0	53	21086-7253
80	110	12.0	23	25003-7426	89	127	13.0	66	21527-2378
80	110	12.7	23	25003-1998	89	127	16.0	53	21086-2380
80	110	16.0	EQ	24801-3593	89	127	18.0	53F1	22987-7332
80	115	12.5	EQ	24801-2239	89	127	23.0	53R2	22627-7324
80	120	19.0	IG	29500-5293	89	130	13.0	53	21086-7965
80	130	16.0	EQ	24801-5269	90	110	10.0	61	24060-1856
81	110	13.0	53	21086-7950	90	110	12.0	26R1	24620-2437
81	120	13.0	53	21086-8121	90	110	13.0	26	24600-5002
81	127	13.0	53	21086-2267	90	110	16.0	EQ	24801-3265
81	127	13.0	66	21527-2267	90	115	12.0	23	25003-9963
81	127	25.0	53T2	22897-8608	90	115	12.0	61	24060-9963

All dimensions are in mm. Preferred sizes are indicated with **bold** type face.

Sizes listed are for standard nitrile elements, except Models 25 and 62 which have PTFE elements. Other material available on inquiry only.

Oil Seals by Shaft Size (Metric)

Garlock

SHAFT	BORE	WIDTH	MODEL NO.	PART NO.	SHAFT	BORE	WIDTH	MODEL NO.	PART NO.
90	115	12.5	23	25003-8803	100	126	19.0	IG	29500-5072
90	115	12.7	23	25003-4846	100	127	12.0	23	25003-6129
90	115	13.0	26	24600-5344	100	127	13.0	53	21086-2519
90	115	13.0	26R1	24620-5344	100	127	13.0	62	21702-2519
90	120	12.0	53	21086-7839	100	127	13.0	26	24600-5913
90	120	12.0	23	25003-7839	100	127	14.0	53	21086-2520
90	120	12.0	61	24060-7839	100	127	16.0	53	21086-2521
90	120	12.0	92	27063-7839	100	127	23.0	53R1	22537-5049
90	120	13.0	53	21086-8429	100	128	10.0	23	25003-1000
90	120	13.0	26	24600-2457	100	130	9.5	23	25003-3229
90	120	13.0	23	25003-8429	100	130	12.0	53	21086-7842
90	120	16.0	EQ	24801-2902	100	130	12.0	92	27063-7842
90	120	19.0	IG	29500-4758	100	130	12.7	23	25003-7979
90	126	19.0	IG	29500-4844	100	130	13.0	53	21086-7979
92	120	13.0	53	21086-7968	100	130	13.0	61	24060-7979
92	127	13.0	53	21086-2426	100	130	16.0	EQ	24801-1346
92	127	14.0	53	21086-5582	100	130	19.0	IG	29500-4859
92	127	16.0	53	21086-2428	100	135	16.0	EQ	24801-4091
92	127	18.0	53F1	22987-5646	100	170	10.0	26	24600-5924
92	130	13.0	53	21086-7970	101	141	16.0	26	24600-4225
95	115	12.0	92	27063-0850	105	130	12.0	23	25003-8768
95	120	10.0	61	24060-1859	105	130	12.0	92	27063-8768
95	120	12.0	26R1	24620-9190	105	130	12.0	57	26058-8768
95	120	12.0	23	25003-9190	105	130	12.7	23	25003-2000
95	120	12.0	92	27063-9190	105	130	13.0	23	25003-6052
95	120	13.0	26R1	24620-6061	105	130	16.0	EQ	24801-2625
95	120	13.0	23	25003-6061	105	130	19.0	IG	29500-4981
95	120	13.0	57	26057-6061	105	135	12.7	23	25003-5763
95	120	16.0	EQ	24801-3021	105	135	14.0	26	24600-5353
95	125	12.0	23	25003-1010	105	135	14.0	26R1	24620-1034
95	125	12.0	92	27063-1010	105	135	14.0	23	25003-5353
95	125	19.0	IG	29500-4979	105	140	12.0	23	25003-0866
95	130	12.0	92	27063-0851	105	140	12.0	92	27063-0866
95	130	16.0	EQ	24801-2972	105	140	16.0	EQ	24801-5309
95	140	19.0	IG	29500-4751	105	140	19.0	IG	29500-4982
100	120	10.0	92	27063-0852	107	148	19.0	IG	29500-4835
100	120	11.0	58	21003-4263	108	127	11.0	26	24600-2653
100	120	12.0	61	24060-2242	110	126	16.0	IG	29500-5266
100	120	12.7	23	25003-9284	110	130	9.0	26	24600-3260
100	120	13.0	26R1	24620-9030	110	130	12.0	26R1	24620-2034
100	120	16.0	EQ	24801-1347	110	130	13.0	26	24600-2686
100	120	19.0	IG	29500-4980	110	130	16.0	EQ	24801-3318
100	125	6.5	26	24600-1907	110	130	17.5	EQ	24801-3315
100	125	10.0	23	25003-0811	110	135	11.0	23	25003-5364
100	125	11.0	23	25003-5363	110	135	12.7	23	25003-2626
100	125	12.0	92	27063-0860	110	137	12.7	23	25003-0587
100	125	12.5	23	25003-1875	110	140	12.0	53	21086-7396
100	125	12.7	23	25003-3248	110	140	12.0	61	24060-7396
100	125	13.0	26	24600-5345	110	140	12.0	26R1	24620-7396
100	125	13.0	26R1	24620-5345	110	140	12.0	23	25003-7396
100	125	16.0	EQ	24801-2230	110	140	12.7	23	25003-9567
100	125	19.0	IG	29500-4649	110	140	13.0	61	24060-1502

All dimensions are in mm. Preferred sizes are indicated with **bold** type face.

Sizes listed are for standard nitrile elements, except Models 25 and 62 which have PTFE elements. Other material available on inquiry only.

Garlock

Oil Seals by Shaft Size (Metric)

SHAFT	BORE	WIDTH	MODEL NO.	PART NO.	SHAFT	BORE	WIDTH	MODEL NO.	PART NO.
110	140	13.0	26	24600-2731	125	150	15.0	23	25003-1259
110	140	13.0	26R1	24620-2731	125	154	12.4	23	25003-5377
110	140	14.0	58	21003-4264	125	155	14.0	26R1	24620-5354
110	140	14.0	26R1	24620-2703	125	155	14.0	23	25003-5354
110	140	14.0	59	24700-2703	125	155	16.0	EQ	24801-5089
110	140	14.0	23	25003-5346	125	160	12.0	92	27063-0873
110	140	16.0	EQ	24801-1082	125	160	13.0	23	25003-2293
110	140	19.0	IG	29500-4984	125	160	15.0	26	24600-2889
110	140	19.0	IG	29502-4984	125	160	18.0	23	25003-1397
110	150	16.0	23	25003-6992	125	170	12.0	26R1	24620-2890
110	170	13.0	94	27223-4488	125	175	16.0	EQ	24801-2930
112	145	14.0	58	21003-2262	127	152	27.0	IGSPB	29506-7102
113	140	12.5	53	21086-2818	127	159	19.0	IG	29500-4203
113	162	19.0	IG	29500-4841	127	181	13.0	53	21086-2942
115	140	11.0	23	25003-5365	130	159	12.0	23	25003-5367
115	140	12.0	53	21086-7271	130	160	12.0	23	25003-4656
115	140	12.0	26R1	24620-2279	130	160	12.0	92	27063-4656
115	140	12.0	23	25003-7271	130	160	12.0	57	26059-4656
115	140	12.0	57	26059-2779	130	160	13.0	23	25003-7221
115	140	16.0	EQ	24801-2780	130	160	14.0	58	21003-2989
115	145	12.0	92	27063-0869	130	160	14.0	26R1	24620-2989
115	145	14.0	26	24600-0841	130	160	15.0	26	24600-2988
115	145	14.0	23	25003-5347	130	160	15.0	23	25003-2988
115	145	20.0	26R1	24620-3419	130	160	16.0	EQ	24801-3022
118	128	16.0	IG	29500-5326	130	168	16.0	23	25003-0956
118	142	16.0	EQ	24801-5510	132	160	12.7	23	25003-9275
120	140	13.0	61	24060-1862	135	164	12.4	23	25003-5378
120	140	13.0	26	24600-1855	135	165	8.0	61	24060-1884
120	140	19.0	IG	29500-5550	135	165	14.0	23	25003-5355
120	145	11.0	26	24600-0994	135	165	16.0	EQ	24801-5088
120	145	11.0	23	25003-5366	135	168	18.0	26	24600-2047
120	145	12.7	23	25003-2634	135	170	12.0	23	25003-9175
120	150	11.0	23	25003-8242	135	170	13.0	26	24600-9175
120	150	12.0	53	21086-7376	135	170	15.0	26R1	24620-3118
120	150	12.0	23	25003-7376	135	170	15.0	23	25003-3118
120	150	12.0	92	27063-7376	135	170	16.0	EQ	24801-3162
120	150	12.7	23	25003-5118	138	178	16.0	26	24600-4226
120	150	13.0	61	24060-1880	138	181	13.0	53	21086-3164
120	150	13.0	26R1	24620-2863	140	160	13.0	26R1	24620-3201
120	150	14.0	26	24600-5348	140	165	10.0	61	24060-1898
120	150	14.0	23	25003-5348	140	165	12.5	23	25003-2019
120	150	15.0	53	21086-7277	140	165	12.7	23	25003-0674
120	150	15.0	26R1	24620-7277	140	165	16.0	EQ	24801-5140
120	150	16.0	EQ	24801-3179	140	170	8.0	26	24600-3203
120	155	13.0	23	25003-1303	140	170	12.0	23	25003-1718
120	160	12.0	53	21086-7836	140	170	12.0	92	27063-1718
120	160	12.0	26	24600-7836	140	170	13.0	23	25003-9158
120	160	12.0	23	25003-7836	140	170	14.0	53	21086-7383
124	160	10.5	23	25003-1707	140	170	14.0	61	24060-7383
125	150	12.0	58	21003-2887	140	170	14.0	26R1	24620-7383
125	150	12.0	23	25003-2887	140	170	15.0	53	21086-7267
125	150	12.0	92	27063-2887	140	170	15.0	26	24600-7267

All dimensions are in mm. Preferred sizes are indicated with **bold** type face.

Sizes listed are for standard nitrile elements, except Models 25 and 62 which have PTFE elements. Other material available on inquiry only.

Oil Seals by Shaft Size (Metric)

Garlock

SHAFT	BORE	WIDTH	MODEL NO.	PART NO.	SHAFT	BORE	WIDTH	MODEL NO.	PART NO.
140	170	15.0	23	25003-7267	160	190	16.0	EQ	24801-3913
140	170	15.0	57	26059-7267	160	190	16.0	23	25003-3913
140	170	16.0	59	24700-1134	160	195	18.0	26R1	24620-1035
140	170	16.0	23	25003-5861	160	200	12.0	23	25003-1717
140	173	14.0	23	25003-5368	160	200	14.0	59	24700-4038
140	175	18.0	26	24600-3204	160	200	16.0	21	25001-4633
140	175	18.0	23	25003-3204	162	200	13.0	53	21086-3421
140	180	15.0	61	24060-2461	162	200	16.0	53	21086-3423
140	180	16.0	26	24600-2098	162	200	16.0	26	24600-3423
140	180	16.0	23	25003-3148	162	200	19.0	53	21086-3424
142	162	19.0	IG	29500-5549	162	200	19.0	23	25003-3424
143	181	13.0	53	21086-3240	165	190	13.0	58	21003-0584
143	181	19.0	23	25003-6368	165	200	12.0	24	25005-8171
145	175	14.0	26R1	24620-5349	165	200	16.0	53	21086-3432
145	175	14.0	23	25003-5349	165	200	19.0	23	25003-9217
145	175	15.0	57	26057-0958	170	194	14.0	23	25003-1395
145	180	15.0	23	25003-4415	170	195	12.5	23	25003-0637
145	180	16.0	23	25003-3197	170	200	8.0	26	24600-3451
146	180	15.0	23	25003-0519	170	200	12.0	23	25003-2826
146	181	13.0	53	21086-3284	170	200	12.5	23	25003-5356
150	180	12.0	92	27063-0875	170	200	13.0	57	26057-0783
150	180	13.0	23	25003-1111	170	200	15.0	53	21086-7268
150	180	14.0	26	24600-5335	170	200	15.0	26R1	24620-3919
150	180	14.0	26R1	24620-5335	170	200	15.0	59	24700-7268
150	180	14.0	59	24700-5335	170	200	15.0	23	25003-7268
150	180	14.0	23	25003-5335	170	200	15.0	57	26059-7268
150	180	14.0	57	26056-5335	170	200	16.0	26	24600-3919
150	180	15.0	58	21003-3327	170	200	16.0	59	24700-3919
150	180	15.0	23	25003-3327	170	200	16.0	EQ	24801-3180
150	180	16.0	EQ	24801-1349	170	203	14.0	23	25003-5370
150	180	16.0	23	25003-2341	170	210	16.0	26	24600-3329
150	180	18.0	23	25003-4862	175	200	12.0	23	25003-1709
150	190	15.0	26	24600-4395	175	200	12.7	23	25003-3251
150	190	15.0	23	25003-2233	175	200	15.0	23	25003-4624
154	179	19.0	IG	29500-4309	175	205	15.0	23	25003-2457
155	174	12.0	26	24600-3326	175	215	16.0	53	21086-7495
155	180	13.0	23	25003-1269	175	215	16.0	23	25003-1388
155	180	15.0	26R1	24620-3352	178	218	16.0	26	24600-4227
155	180	15.0	59	24700-3352	180	200	15.0	26	24600-5919
160	184	14.0	23	25003-1394	180	205	13.0	23	25003-1616
160	185	10.0	92	27063-0876	180	210	12.0	23	25003-2828
160	190	8.0	26	24600-3404	180	210	12.5	23	25003-5336
160	190	12.7	23	25003-4634	180	210	15.0	53	21086-7807
160	190	13.0	23	25003-7816	180	210	15.0	61	24060-7807
160	190	13.0	57	26057-7816	180	210	15.0	26R1	24620-3920
160	190	14.0	53	21086-7286	180	210	15.0	23	25003-7807
160	190	15.0	53	21086-7276	180	210	16.0	26	24600-3920
160	190	15.0	26	24600-7276	180	210	16.0	57	26056-3920
160	190	15.0	26R1	24620-7276	180	213	14.0	23	25003-5371
160	190	15.0	23	25003-7276	180	215	15.9	EQ	24802-5625
160	190	15.0	57	26059-7276	180	220	15.9	23	25003-9994
160	190	16.0	26	24600-3913	180	220	16.0	59	24700-4039

All dimensions are in mm. Preferred sizes are indicated with **bold** type face.

Sizes listed are for standard nitrile elements, except Models 25 and 62 which have PTFE elements. Other material available on inquiry only.

Garlock

Oil Seals by Shaft Size (Metric)

SHAFT	BORE	WIDTH	MODEL NO.	PART NO.	SHAFT	BORE	WIDTH	MODEL NO.	PART NO.
185	210	12.7	23	25003-0801	210	250	16.0	21	25001-9521
185	215	15.0	23	25003-2643	215	240	12.7	23	25003-5402
185	225	16.0	23	25003-7006	215	245	12.5	23	25003-1953
189	225	16.0	26R1	24620-3923	215	245	15.0	23	25003-5358
189	227	19.0	23	25003-9792	215	248	15.0	23	25003-0961
190	214	12.0	23	25003-1290	215	250	16.4	23	25003-0746
190	215	12.7	23	25003-2581	216	254	16.0	53	21086-4602
190	215	16.0	26	24600-4997	216	254	16.0	59	24700-0012
190	220	12.0	23	25003-0504	216	254	18.0	64	21238-8453
190	220	12.5	23	25003-5333	216	254	19.0	53	21086-3937
190	220	15.0	61	24060-8049	216	254	19.0	62	21702-3937
190	220	15.0	59	24700-2043	216	254	19.0	21	25001-3937
190	220	15.0	23	25003-8049	216	254	19.0	23	25003-3937
190	220	16.0	23	25003-1379	216	254	26.0	53F1	22987-6760
190	220	19.0	IG	29500-4756	216	254	32.0	53F1	22987-5681
190	225	16.0	26R1	24620-1036	219	254	19.0	59	24700-0014
190	225	16.0	23	25003-3911	220	250	12.0	23	25003-2829
190	225	16.0	57	26057-3911	220	250	13.0	23	25003-4757
190	230	16.0	23	25003-1214	220	250	15.0	53	21086-5357
190	235	16.0	26	24600-3758	220	250	15.0	62	21702-5357
195	230	15.0	59	24700-2183	220	250	15.0	26R1	24620-5357
195	230	15.0	23	25003-7320	220	250	15.0	59	24700-5357
196	220	12.0	23	25003-0980	220	250	15.0	23	25003-5357
200	224	12.7	23	25003-4860	220	250	16.0	26	24600-3942
200	225	15.0	23	25003-1949	220	250	16.0	23	25003-3942
200	230	13.0	53	21086-4834	220	260	13.0	53	21086-7840
200	230	14.0	26	24600-3914	220	260	15.0	23	25003-0891
200	230	14.0	26R1	24620-3914	220	260	16.0	59	24700-0019
200	230	14.0	23	25003-3914	220	260	16.0	23	25003-8606
200	230	15.0	58	21003-7388	220	260	19.0	23	25003-0957
200	230	15.0	53	21086-7388	220	260	20.0	23	25003-1392
200	230	15.0	61	24060-7388	220	260	22.0	26	24600-3944
200	230	15.0	26R1	24620-7388	220	260	22.0	26R1	24620-3944
200	230	15.0	59	24700-7388	225	250	12.5	23	25003-8481
200	230	15.0	23	25003-7388	225	265	16.0	23	25003-2247
200	230	16.0	59	24700-5317	230	255	12.7	23	25003-5403
200	230	19.0	59	24700-3301	230	260	15.0	26	24600-3955
200	235	15.0	57	26056-1727	230	260	15.0	59	24700-3955
200	235	16.0	26	24600-3908	230	260	15.0	23	25003-5334
200	236	19.0	23	25003-6926	230	260	15.0	87	26080-5334
200	238	19.0	23	25003-1014	230	268	19.0	23	25003-5784
200	240	15.5	23	25003-5372	230	269	22.0	26	24600-3956
200	240	16.0	23	25003-8420	230	269	22.0	26R1	24620-3956
200	240	20.0	26	24600-3916	230	270	14.0	53	21086-7890
200	240	20.0	26R1	24620-3916	230	270	14.0	59	24700-4035
208	238	15.0	26	24600-2147	230	270	15.0	59	24700-5814
210	240	12.0	23	25003-2833	230	270	16.0	59	24700-4763
210	240	15.0	26	24600-5338	230	270	16.0	23	25003-4885
210	240	15.0	26R1	24620-5338	230	276	17.5	23	25003-5374
210	240	15.0	23	25003-5338	230	280	16.0	59	24700-0036
210	249	22.0	26	24600-5231	230	280	16.0	23	25003-4865
210	250	14.0	53	21086-7887	235	275	0.0	61	24060-1909

All dimensions are in mm. Preferred sizes are indicated with **bold** type face.

Sizes listed are for standard nitrile elements, except Models 25 and 62 which have PTFE elements. Other material available on inquiry only.

Oil Seals by Shaft Size (Metric)

Garlock

SHAFT	BORE	WIDTH	MODEL NO.	PART NO.	SHAFT	BORE	WIDTH	MODEL NO.	PART NO.
240	270	15.0	53	21086-5359	260	311	19.0	23	25003-2314
240	270	15.0	26	24600-5359	260	315	24.0	59	24700-4891
240	270	15.0	26R1	24620-5359	260	320	25.0	59	24700-4999
240	270	15.0	59	24700-5359	265	290	15.9	23	25003-2613
240	270	15.0	23	25003-5359	270	300	15.0	23	25003-5350
240	270	16.0	59	24700-0053	270	300	16.0	26	24600-5445
240	275	16.0	26	24600-3910	270	300	16.0	59	24700-0094
240	275	16.0	57	26057-3910	270	308	18.0	64	21238-7769
240	275	18.0	23	25003-1036	270	308	19.0	53	21086-4018
240	280	13.0	23	25003-1097	270	308	19.0	59	24700-0095
240	280	15.0	26	24600-2041	270	308	19.0	23	25003-4018
240	280	16.0	53	21086-7891	270	310	16.0	59	24700-8655
240	280	16.0	23	25003-7891	270	310	16.0	23	25003-8655
240	280	19.0	26	24600-3973	270	310	20.0	26R1	24620-2965
240	280	19.0	26R1	24620-3973	270	314	20.0	23	25003-1027
240	280	19.0	23	25003-3973	270	335	18.0	59	24700-0099
240	280	20.0	23	25003-9435	274	304	15.0	26	24600-2148
240	286	17.5	23	25003-5380	275	305	15.0	26	24600-1040
240	290	16.0	23	25003-3132	275	310	15.0	26	24600-3722
240	290	19.0	26R1	24620-3974	275	310	15.0	23	25003-2350
240	300	25.0	59	24700-0054	279	309	15.0	23	25003-1246
240	320	25.0	26	24600-0828	280	310	16.0	59	24700-0982
242	272	15.0	26	24600-2149	280	310	16.0	23	25003-2582
245	283	20.6	23	25003-2256	280	310	20.0	23	25003-0890
245	305	25.0	26R1	24620-1837	280	316	18.0	26	24600-5233
250	280	12.7	23	25003-9676	280	318	18.0	23	25003-1962
250	280	15.0	53	21086-5339	280	320	16.0	53	21086-7848
250	280	15.0	62	21702-5339	280	320	18.0	59	24700-4028
250	280	15.0	26R1	24620-5339	280	320	20.0	64	21238-7391
250	280	15.0	59	24700-5339	280	320	20.0	26	24600-3695
250	280	15.0	23	25003-5339	280	320	20.0	59	24700-3695
250	280	16.0	26	24600-4345	280	320	20.0	23	25003-7391
250	285	16.0	23	25003-1099	280	320	20.0	88	26088-7391
250	290	15.0	23	25003-4497	280	330	15.5	23	25003-0897
250	290	16.0	23	25003-8607	280	340	21.0	64	21238-4039
250	296	17.5	23	25003-5375	280	340	25.0	59	24700-0109
255	290	16.0	59	24700-4767	284	330	15.8	23	25003-0740
258	290	16.0	23	25003-0695	285	315	20.0	23	25003-1262
260	290	15.0	26	24600-5351	285	329	20.0	23	25003-5712
260	290	15.0	23	25003-5351	289	327	19.0	53	21086-4050
260	290	16.0	26	24600-5111	289	327	19.0	59	24700-0119
260	290	16.0	59	24700-5111	289	327	19.0	23	25003-4050
260	298	19.0	23	25003-5665	290	330	16.0	59	24700-4042
260	300	13.0	53	21086-7892	290	330	18.0	23	25003-0416
260	300	16.0	23	25003-7010	290	330	20.0	26R1	24620-3886
260	300	20.0	26	24600-5429	290	330	20.0	23	25003-1031
260	300	20.0	59	24700-5429	290	350	25.0	59	24700-3100
260	304	20.0	23	25003-4805	292	327	18.0	59	24700-0125
260	304	20.0	87	26080-4805	300	330	15.0	23	25003-5352
260	306	17.5	23	25003-5381	300	330	16.0	23	25003-0740
260	308	20.0	23	25003-1292	300	332	16.0	59	24700-4009
260	310	16.0	23	25003-0872	300	335	18.0	23	25003-5446

All dimensions are in mm. Preferred sizes are indicated with **bold** type face.

Sizes listed are for standard nitrile elements, except Models 25 and 62 which have PTFE elements. Other material available on inquiry only.

Garlock

Oil Seals by Shaft Size (Metric)

SHAFT	BORE	WIDTH	MODEL NO.	PART NO.	SHAFT	BORE	WIDTH	MODEL NO.	PART NO.
300	338	19.0	23	25003-9793	340	378	19.0	23	25003-5664
300	340	16.0	53	21086-7893	340	380	16.0	53	21086-7896
300	340	18.0	59	24700-0134	340	380	17.5	59	24700-0189
300	340	20.0	23	25003-4655	340	380	18.0	26	24600-3882
300	340	20.6	23	25003-0947	340	380	18.0	59	24700-3882
300	344	20.0	59	24700-4056	340	380	18.0	23	25003-0893
300	344	20.0	23	25003-4602	340	380	20.0	59	24700-5170
300	344	20.5	23	25003-8525	340	384	20.0	23	25003-2245
300	344	21.0	88	26088-8525	340	385	20.0	23	25003-2286
300	345	22.0	26R1	24620-1037	343	381	16.0	59	24700-0190
300	350	19.0	23	25003-4881	343	381	17.0	26	24600-5456
300	350	26.0	59	24700-0135	343	381	17.0	26R1	24620-5456
310	335	12.7	23	25003-5536	343	381	18.0	53	21086-4121
310	340	15.0	23	25003-5340	343	381	18.0	64	21238-4121
310	350	20.0	59	24700-0999	343	381	19.0	53	21086-4122
310	354	20.0	23	25003-2454	343	381	19.0	23	25003-4122
310	354	20.0	87	26080-2454	350	380	10.0	23	25003-0591
315	355	18.0	59	24700-4029	350	380	16.0	59	24700-3212
315	360	20.0	23	25003-1108	350	380	20.0	59	24700-4755
310	360	25.0	59	24700-5693	350	388	12.7	23	25003-5477
320	350	16.0	59	24700-0162	350	388	19.0	23	25003-9316
320	355	16.0	59	24700-0163	350	390	16.0	23	25003-8656
320	358	19.0	23	25003-5667	350	390	18.0	59	24700-0204
320	360	18.0	23	25003-1113	350	394	12.7	23	25003-2109
320	360	18.0	59	24700-1966	350	394	19.0	59	24700-5107
320	360	19.0	23	25003-1712	350	394	20.0	26	24600-5102
320	360	20.0	26	24600-4397	350	394	20.0	59	24700-5102
320	360	20.0	59	24700-4397	350	394	20.0	23	25003-4603
320	360	20.0	23	25003-1103	350	399	20.0	23	25003-5874
320	362	20.7	23	25003-1182	350	400	17.0	59	24700-3490
320	364	20.0	26	24600-3721	350	400	25.0	59	24700-3091
320	364	20.0	23	25003-2911	350	410	20.0	59	24700-1902
324	362	16.0	59	24700-0168	350	410	25.0	59	24700-5477
324	362	18.0	64	21238-4089	355	395	20.0	59	24700-5441
324	362	19.0	26	24600-5942	355	420	15.0	88	26088-1924
324	362	19.0	23	25003-5942	356	381	18.0	26	24600-8815
324	381	21.0	64	21238-4092	356	394	19.0	23	25003-9287
324	381	22.0	59	24700-0170	360	390	18.0	26	24600-0992
325	365	16.0	59	24700-4058	360	390	18.0	59	24700-0992
325	365	16.0	23	25003-3209	360	390	18.0	23	25003-2066
327	381	21.0	64	21238-5404	360	396	16.0	23	25003-0963
330	360	10.0	23	25003-0590	360	400	16.0	53	21086-7849
330	360	15.0	26	24600-5341	360	400	18.0	26	24600-4394
330	360	15.0	23	25003-5341	360	400	18.0	59	24700-4394
330	370	18.0	59	24700-0174	360	400	20.0	59	24700-1892
330	370	18.0	23	25003-9996	360	400	20.0	23	25003-9182
330	374	19.0	23	25003-3170	360	404	20.0	87	26080-1202
330	374	20.0	59	24700-5525	360	425	22.0	59	24700-0221
330	374	20.0	23	25003-4630	365	403	19.0	23	25003-3250
330	390	25.0	59	24700-1000	368	419	20.6	87	26080-2134
332	370	19.0	23	25003-0994	370	395	12.7	23	25003-5845
340	372	16.0	59	24700-0188	370	410	20.0	26R1	24620-8196

All dimensions are in mm. Preferred sizes are indicated with **bold** type face.

Sizes listed are for standard nitrile elements, except Models 25 and 62 which have PTFE elements. Other material available on inquiry only.

Oil Seals by Shaft Size (Metric)

Garlock

SHAFT	BORE	WIDTH	MODEL NO.	PART NO.	SHAFT	BORE	WIDTH	MODEL NO.	PART NO.
370	411	16.0	23	25003-9993	416	454	18.0	64	21238-4179
370	414	20.0	59	24700-3880	416	454	19.0	59	24700-0286
370	415	20.0	59	24700-5694	416	454	19.0	23	25003-5178
370	420	20.0	23	25003-1968	420	455	20.0	23	25003-2625
375	415	16.0	23	25003-6994	420	458	19.0	23	25003-5725
375	420	20.0	59	24700-4423	420	460	20.0	64	21238-8504
380	420	15.9	23	25003-2328	420	460	20.0	59	24700-0295
380	420	20.0	59	24700-0247	420	460	20.0	23	25003-8504
380	420	20.0	23	25003-0614	420	470	18.0	64	21238-8792
380	424	20.0	59	24700-4674	420	470	18.8	23	25003-8705
380	424	20.0	23	25003-4601	420	470	19.0	23	25003-4521
380	440	25.0	26R1	24620-5466	420	470	22.0	64	21238-1929
380	440	25.0	59	24700-5466	420	470	22.0	26	24600-1331
381	426	29.0	26R1	24620-5146	420	470	22.0	59	24700-1331
385	425	20.0	23	25003-8464	420	480	25.0	26R1	24620-5468
387	417	15.0	59	24700-5299	420	480	28.0	26R1	24620-1038
390	420	14.0	23	25003-1608	425	475	20.0	23	25003-9529
390	428	19.0	23	25003-9796	430	470	20.0	59	24700-4252
390	430	18.0	59	24700-5172	430	470	20.0	23	25003-4510
390	430	19.0	23	25003-5290	430	480	20.0	23	25003-5029
390	430	20.0	26	24600-4941	430	480	22.0	59	24700-3740
390	434	20.0	59	24700-5281	430	480	25.0	59	24700-4253
390	434	20.0	23	25003-1767	430	490	20.0	64	21238-9695
390	440	20.0	59	24700-3950	435	485	20.0	87	26080-1387
390	440	25.0	59	24700-4936	440	480	20.0	26	24600-4393
390	450	17.0	64	21238-4166	440	480	20.0	59	24700-4393
390	450	25.0	59	24700-2049	440	480	20.0	23	25003-4393
394	420	12.7	23	25003-2206	440	490	22.0	59	24700-4673
395	439	19.0	26R1	24620-0979	446	486	16.0	88	26088-4704
395	439	23.0	26	24600-3867	450	480	12.7	23	25003-0510
397	435	19.0	59	24700-0265	450	490	20.0	59	24700-3943
397	435	19.0	23	25003-6455	450	493	20.0	23	25003-9925
400	438	19.0	23	25003-5666	450	500	20.6	21	25001-3111
400	440	16.0	59	24700-5064	450	500	20.6	23	25003-1179
400	440	20.0	26	24600-4396	450	510	25.0	59	24700-5464
400	440	20.0	59	24700-4396	460	500	20.0	59	24700-4508
400	444	17.0	23	25003-8702	460	504	20.0	23	25003-0518
400	444	20.0	23	25003-4629	460	510	20.0	23	25003-1237
400	444	20.0	26	24600-1332	460	510	22.0	26	24600-4486
400	444	20.0	59	24700-1332	460	510	22.0	59	24700-4486
400	444	20.0	87	26080-4629	470	508	18.0	64	21238-3768
400	450	18.0	64	21238-4169	470	508	19.0	59	24700-0338
400	450	18.0	59	24700-0268	470	508	19.0	23	25003-9881
400	450	18.0	23	25003-2389	470	520	18.8	23	25003-8695
400	450	19.0	59	24700-2726	470	530	25.0	59	24700-4255
400	450	20.0	23	25003-2069	480	520	20.0	23	25003-7281
400	450	20.6	23	25003-2275	480	520	20.0	26	24600-7281
400	460	25.0	26R1	24620-5467	480	520	20.0	64	21238-7281
410	450	20.0	59	24700-4512	480	530	20.0	59	24700-1247
410	460	22.0	26	24600-4015	480	530	20.0	23	25003-8299
414	464	20.6	23	25003-1280	480	530	20.6	23	25003-0639
415	465	20.0	59	24700-4002	490	530	20.0	59	24700-3133

All dimensions are in mm. Preferred sizes are indicated with **bold** type face.

Sizes listed are for standard nitrile elements, except Models 25 and 62 which have PTFE elements. Other material available on inquiry only.

Garlock

Oil Seals by Shaft Size (Metric)

SHAFT	BORE	WIDTH	MODEL NO.	PART NO.	SHAFT	BORE	WIDTH	MODEL NO.	PART NO.
490	540	20.0	23	25003-1298	578	635	23.0	59	24700-0417
490	540	22.0	26	24600-4856	580	640	25.0	59	24700-4256
500	530	15.0	26	24600-2504	590	630	20.0	59	24700-3134
500	540	20.0	59	24700-4047	590	640	20.0	23	25003-2674
500	545	20.0	23	25003-2484	600	630	11.0	26	24600-5715
500	550	20.0	87	26080-1383	600	640	20.0	64	21238-8624
500	550	22.0	59	24700-1246	600	640	20.0	59	24700-5280
508	562	26.0	53	21086-4238	600	650	22.0	59	24700-4519
508	562	26.0	59	24700-0364	600	650	25.0	59	24700-5559
510	540	11.0	26	24600-5714	600	660	25.0	59	24700-4518
515	555	20.0	26	24600-5493	610	654	20.0	23	25003-1112
520	558	19.0	23	25003-5654	610	660	20.6	23	25003-7119
520	564	20.0	59	24700-4764	620	670	20.6	23	25003-0864
520	564	22.0	59	24700-4525	620	670	22.0	26	24600-3678
524	580	21.0	64	21238-4244	620	670	22.0	59	24700-3678
530	570	20.0	59	24700-5438	624	654	15.0	26	24600-2505
530	570	20.0	87	26080-2388	630	665	14.3	87	26080-2884
530	575	20.6	23	25003-5761	630	670	19.0	64	21238-1451
530	580	20.0	59	24700-0375	640	690	20.5	23	25003-1719
530	580	20.0	23	25003-1911	650	690	20.0	59	24700-1044
530	580	21.0	64	21238-4244	650	705	20.0	59	24700-4244
530	580	22.0	26	24600-3667	650	710	25.0	59	24700-4517
530	580	22.0	59	24700-3667	665	729	22.0	59	24700-3163
530	590	25.0	59	24700-3535	670	708	19.0	23	25003-2248
532	572	20.0	59	24700-5440	670	710	20.0	59	24700-3945
535	575	20.0	59	24700-5452	670	716	19.0	59	24700-0464
540	590	20.6	23	25003-9639	670	716	23.0	64	21238-4307
540	590	22.0	59	24700-4598	670	734	25.0	59	24700-4672
540	590	25.0	64	21238-7393	685	710	12.7	23	25003-1169
550	600	22.0	59	24700-2724	690	730	20.0	59	24700-3489
550	600	23.5	26	24600-5492	700	738	19.0	23	25003-4481
550	610	25.0	59	24700-4514	700	764	25.0	26	24600-5067
551	589	19.0	23	25003-5428	710	773	22.0	59	24700-4239
554	594	20.0	23	25003-0429	720	770	25.0	23	25003-0786
556	606	20.6	23	25003-0606	730	790	25.0	59	24700-4516
560	604	18.0	87	26080-1382	730	794	19.0	23	25003-2796
560	604	20.0	59	24700-4066	730	794	25.0	59	24700-2543
560	610	20.0	64	21238-7266	730	794	25.5	59	24700-4487
560	610	20.0	26	24600-3461	735	775	20.0	59	24700-5442
560	610	20.0	59	24700-3461	740	780	17.0	59	24700-0497
560	610	22.0	64	21238-2394	740	790	25.0	59	24700-5609
560	610	22.0	26	24600-4019	750	800	20.0	23	25003-3165
560	610	22.0	59	24700-4019	750	800	23.0	23	25003-3169
560	620	25.0	59	24700-4243	750	814	19.0	23	25003-2079
570	610	20.0	59	24700-3769	760	800	20.0	59	24700-4917
570	616	19.0	64	21238-4276	760	810	25.0	59	24700-3132
570	616	19.0	59	24700-0408	760	813	22.0	59	24700-3837
570	620	22.0	59	24700-4245	770	845	27.0	59	24700-4875
570	620	25.0	59	24700-4241	770	845	28.0	59	24700-4578
574	604	15.0	26	24600-2501	780	820	18.0	23	25003-1959
576	614	19.0	23	25003-5532	780	844	25.0	59	24700-1933
578	635	23.0	64	21238-6843	800	864	25.0	59	24700-5560

All dimensions are in mm. Preferred sizes are indicated with **bold** type face.

Sizes listed are for standard nitrile elements, except Models 25 and 62 which have PTFE elements. Other material available on inquiry only.

Oil Seals by Shaft Size (Metric)

Garlock

SHAFT	BORE	WIDTH	MODEL NO.	PART NO.	SHAFT	BORE	WIDTH	MODEL NO.	PART NO.
810	874	25.0	59	24700-4671					
850	895	20.0	23	25003-6894					
851	889	23.0	64	21238-9504					
851	925	23.0	64	21238-4552					
860	900	20.0	59	24700-1043					
900	950	20.0	23	25003-4872					
900	980	23.0	59	24700-5620					
920	958	19.0	64	21238-7770					
950	1014	25.0	59	24700-4824					
960	1020	22.0	59	24700-2991					
960	1040	23.0	59	24700-0565					
970	1034	22.0	59	24700-4455					
970	1040	25.0	59	24700-4240					
990	1040	22.0	59	24700-4100					
990	1040	25.0	59	24700-4240					
1000	1050	22.0	64	21238-1073					
1000	1050	22.0	59	24700-3080					
1000	1050	23.0	59	24700-2873					
1020	1050	19.0	23	25003-4386					
1060	1100	20.0	59	24700-4137					
1080	1144	25.0	59	24700-3949					
1105	1160	25.0	64	21238-0586					
1162	1207	20.0	23	25003-6889					
1250	1314	25.0	59	24700-4599					
1295	1325	20.0	87	26080-2886					
1350	1414	22.0	64	21238-7065					
1380	1430	25.0	23	25003-9919					
1380	1440	25.0	64	21238-8594					
1425	1482	19.0	23	25003-9917					
1550	1610	25.0	64	21238-8622					
1620	1665	20.0	59	24700-3961					
1636	1700	22.0	64	21238-4979					
1820	1870	20.6	23	25003-4816					
1890	1954	25.0	64	21238-9010					
2100	2150	20.6	23	25003-8802					

All dimensions are in mm. Preferred sizes are indicated with **bold** type face.
Sizes listed are for standard nitrile elements, except Models 25 and 62 which have PTFE elements. Other material available on inquiry only.

Garlock

Model 79 Rod Scrapers (Inches)

PART NO.	ROD DIA.	BORE DIA.	BORE DEPTH	PART NO.	ROD DIA.	BORE DIA.	BORE DEPTH
18231-0087	0.625	1.125	0.313	18231-9448	2.500	3.000	0.313
18231-0139	0.750	1.250	0.313	18231-5853	2.500	3.000	0.188
18231-0213	0.875	1.375	0.313	18231-7089	2.500	3.125	0.250
18231-0287	1.000	1.500	0.313	18231-8471	2.500	3.245	0.375
18231-0321	1.063	1.575	0.313	18231-1807	2.500	3.250	0.375
18231-0351	1.125	1.625	0.313	18231-7090	2.500	3.250	0.250
18231-6279	1.188	1.625	0.250	18231-8557	2.500	3.500	0.250
18231-7760	1.250	1.625	0.125	18231-5856	2.625	3.125	0.250
18231-9437	1.250	1.750	0.313	18231-5407	2.625	3.375	0.375
18231-7118	1.250	1.752	0.313	18231-9450	2.750	3.250	0.313
18231-5571	1.250	1.752	0.250	18231-7236	2.750	3.250	0.188
18231-0430	1.250	2.062	0.375	18231-2035	2.750	3.500	0.375
18231-6208	1.375	1.875	0.313	18231-6471	2.750	3.750	0.500
18231-7903	1.500	1.875	0.250	18231-8544	2.875	3.250	0.125
18231-6222	1.500	1.875	0.125	18231-9452	3.000	3.500	0.313
18231-7762	1.500	1.969	0.125	18231-7754	3.000	3.500	0.125
18231-9439	1.500	2.000	0.313	18231-2168	3.000	3.751	0.375
18231-7517	1.500	2.000	0.250	18231-4557	3.000	4.000	0.500
18231-5793	1.500	2.125	0.313	18231-7680	3.125	3.625	0.188
18231-0643	1.500	2.250	0.375	18231-7856	3.125	3.750	0.375
18231-6644	1.625	2.125	0.313	18231-5751	3.250	3.750	0.313
18231-8486	1.690	2.250	0.313	18231-9454	3.250	3.875	0.313
18231-6241	1.750	2.125	0.125	18231-7374	3.250	4.250	0.500
18231-9675	1.750	2.250	0.313	18231-5752	3.375	4.000	0.313
18231-7080	1.750	2.250	0.250	18231-5857	3.500	4.000	0.313
18231-7112	1.750	2.250	0.188	18231-9456	3.500	4.125	0.313
18231-7738	1.750	2.250	0.125	18231-5858	3.500	4.250	0.313
18231-8019	1.750	2.257	0.250	18231-2366	3.500	4.500	0.500
18231-0898	1.750	2.438	0.375	18231-7097	3.750	4.375	0.312
18231-5794	1.750	2.506	0.375	18231-7509	3.750	4.500	0.313
18231-9442	1.875	2.375	0.313	18231-2462	3.750	4.750	0.500
18231-1049	1.875	2.563	0.375	18231-8518	3.875	4.750	0.250
18231-8162	1.969	2.362	0.197	18231-8417	3.938	4.625	0.313
18231-7086	2.000	2.375	0.250	18231-8555	4.000	4.500	0.313
18231-9443	2.000	2.500	0.312	18231-9879	4.000	4.625	0.313
18231-9013	2.000	2.500	0.250	18231-5753	4.000	4.750	0.313
18231-7854	2.000	2.500	0.188	18231-4651	4.000	5.000	0.500
18231-6094	2.000	2.502	0.313	18231-8243	4.063	5.250	0.250
18231-1186	2.000	2.686	0.375	18231-9461	4.125	4.750	0.313
18231-1189	2.000	2.750	0.375	18231-9060	4.125	5.250	0.375
18231-7923	2.000	2.750	0.250	18231-7723	4.250	4.750	0.313
18231-7860	2.125	2.500	0.125	18231-7151	4.250	4.750	0.188
18231-7522	2.125	2.625	0.250	18231-2657	4.250	5.250	0.500
18231-1321	2.125	2.875	0.375	18231-9463	4.375	5.000	0.313
18231-9446	2.250	2.750	0.313	18231-8538	4.500	5.000	0.313
18231-7531	2.250	2.750	0.250	18231-9464	4.500	5.125	0.313
18231-7853	2.250	2.750	0.188	18231-5859	4.500	5.250	0.313
18231-1471	2.250	2.997	0.375	18231-2753	4.500	5.500	0.500
18231-7668	2.250	3.000	0.250	18231-7511	4.500	550D	0.313
18231-9447	2.375	2.875	0.313	18231-9465	4.750	5.375	0.313
18231-1642	2.375	3.125	0.375	18231-2837	4.750	5.750	0.500
18231-4737	2.500	2.875	0.125	18231-8153	4.875	5.619	0.313

All dimensions are in inches. Preferred sizes are indicated with **bold** type face. Sizes listed are for standard nitrile elements, except Models 25 and 62 which have PTFE elements. Other material available on inquiry only.

Model 79 Rod Scrapers (Inches)

Garlock

PART NO.	ROD DIA.	BORE DIA.	BORE DEPTH	PART NO.	ROD DIA.	BORE DIA.	BORE DEPTH
18231-9466	5.000	5.625	0.313				
18231-5750	5.000	5.750	0.313				
18231-2915	5.000	6.000	0.500				
18231-7528	5.250	6.000	0.312				
18231-9468	5.500	6.125	0.375				
18231-7534	5.500	6.250	0.313				
18231-3228	5.625	6.625	0.500				
18231-9469	5.750	6.375	0.375				
18231-3275	5.750	6.750	0.500				
18231-9470	6.000	6.625	0.375				
18231-7541	6.000	6.750	0.375				
18231-3355	6.000	7.000	0.500				
18231-8556	6.375	7.125	0.500				
18231-7477	6.500	7.248	0.312				
18231-3426	6.500	7.500	0.625				
18231-6721	6.750	7.375	0.375				
18231-6372	6.750	7.750	0.500				
18231-7574	7.000	7.750	0.313				
18231-9565	7.250	8.000	0.313				
18231-8545	7.250	8.250	0.421				
18231-8547	7.250	8.500	0.421				
18231-5484	7.500	8.250	0.375				
18231-7897	7.766	8.750	0.375				
18231-7224	8.000	8.750	0.375				
18231-6811	9.000	9.875	0.313				
18231-6067	9.750	10.750	0.500				
18231-6391	10.000	11.000	0.500				
18231-9693	11.000	12.000	0.500				
18231-7263	11.500	12.750	0.625				
18231-7684	13.375	14.625	0.625				
18231-9732	14.625	16.125	0.750				

All dimensions are in inches. Preferred sizes are indicated with **bold** type face.
Sizes listed are for standard nitrile elements, except Models 25 and 62 which have PTFE elements. Other material available on inquiry only.

Garlock

Model 79 Rod Scrapers (Metric)

PART NO.	ROD DIA.	BORE DIA.	BORE DEPTH	PART NO.	ROD DIA.	BORE DIA.	BORE DEPTH
18231-8460	6	14	5	18231-8472	70	85	7
18231-8461	8	16	5	18231-8521	70	90	7
18231-8462	10	18	5	18231-8167	75	85	5
18231-8463	12	22	7	18231-7977	75	85	3.18
18231-8464	14	24	7	18231-8473	75	90	7
18231-8430	16	26	7	18231-8280	76	100	10
18231-8431	18	28	7	18231-8327	80	90	7
18231-8432	20	30	7	18231-7733	80	90	3.18
18231-8433	22	32	7	18231-8534	80	93.5	6
18231-8434	25	35	7	18231-8468	80	100	7
18231-8157	25	35	5	18231-8448	90	100	7
18231-8435	28	38	7	18231-8399	90	100	3.18
18231-8436	30	40	7	18231-8519	90	105	7
18231-8437	32	42	7	18231-8533	90	106	8
18231-8470	35	50	9	18231-8328	90	110	7
18231-8438	36	46	7	18231-8449	100	115	9
18231-8439	40	50	7	18231-8525	100	116	8
18231-8158	40	50	5	18231-8450	110	125	9
18231-7666	40	50	3.18	18231-8526	110	130	8
18231-7793	40	55	9	18231-8527	120	140	8
18231-8440	45	55	7	18231-8546	124.5	145	9
18231-8161	45	55	5	18231-8451	125	140	9
18231-7799	45	55	3.18	18231-8552	125	150	9
18231-7653	45	60	9	18231-8550	130	150	9
18231-8475	45	60	7	18231-8528	130	154	8
18231-8441	50	60	7	18231-8452	140	155	9
18231-8162	50	60	5	18231-8529	140	164	8
18231-7663	50	60	3.18	18231-8543	150	165	9
18231-7654	50	65	9	18231-8453	160	175	9
18231-8488	50	65	7	18231-8454	180	195	9
18231-8442	55	65	7	18231-8465	200	215	9
18231-8163	55	65	5	18231-8466	220	240	12
18231-7809	55	65	3.18	18231-8467	250	270	12
18231-8474	55	70	7				
18231-8412	55	70	5				
18231-8443	56	66	7				
18231-7780	56	71	9				
18231-8444	60	70	7				
18231-8419	60	70	5				
18231-8520	60	75	7				
18231-8445	63	73	7				
18231-7665	63	73	3.18				
18231-7657	63	78	9				
18231-8446	65	75	7				
18231-8221	65	75	5				
18231-7922	65	75	3.18				
18231-8522	65	80	7				
18231-8146	70	80	9				
18231-8447	70	80	7				
18231-8165	70	80	5				
18231-7732	70	80	3.18				
18231-8524	70	83.5	6				

All dimensions are in mm. Preferred sizes are indicated with **bold** type face.

Sizes listed are for standard nitrile elements, except Models 25 and 62 which have PTFE elements. Other material available on inquiry only.

Model 79 scrapers and pin seals continue to set new standards of efficiency in excluding dirt, mud and metal chips in demanding equipment applications.

Durability

- Four times the tensile strength/tear resistance of nitrile materials
- High modulus for optimum scraping action
- Exceptional abrasion resistance
- Outstanding endurance under difficult operating conditions

Flexibility

- Exhibits excellent elasticity
- Exhibits excellent resilience
- Withstands high degree of deformation

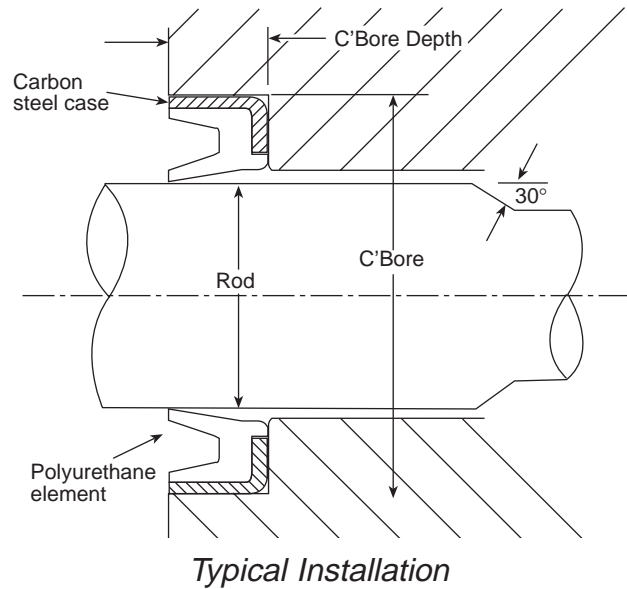
Applications

- Hydraulic cylinders
- Track adjusters
- Available as pin seals with a special formulation of polyurethane for oscillating linkage pin assemblies

Features	Advantages
Press fit design	• Easy retrofit in existing counterbore
Exclusive urethane lip configuration	• Non-scoring • Accepts greater side-loading/rod eccentricity
Superior bond of element to steel case	• Provides greater concentricity and rebound characteristics
Extensive line of tooling	• Available in a wide range of inch and metric sizes

Benefits

- Saves time on installation
- Eliminates costly damage to equipment from contaminants
- Extended life
- Reduced vendor base



Recommended Tolerances and Finishes

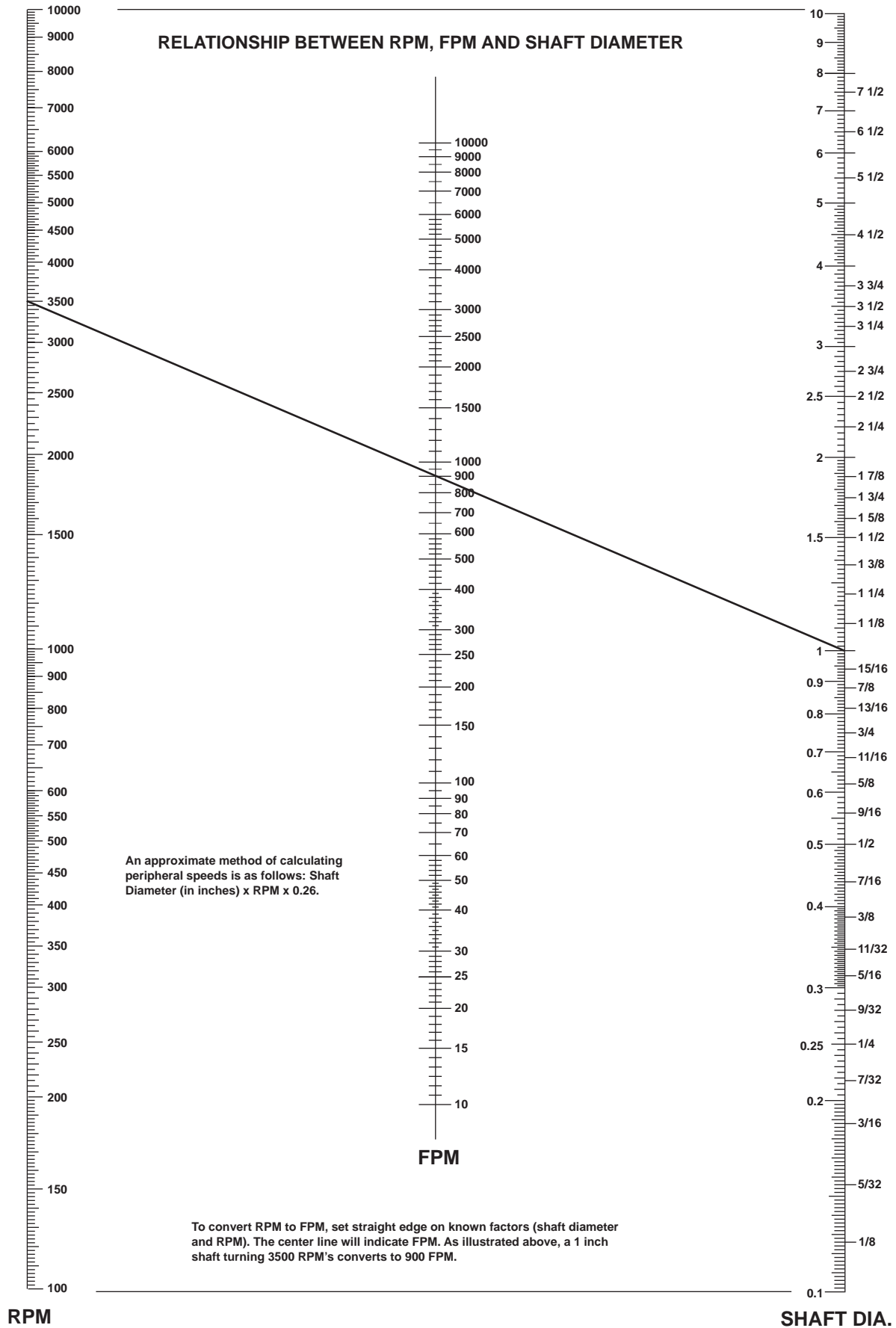
• Rod

Chamfer	
Up to 2"	30° x 3/32" axially
2" to 6"	30° x 5/32" axially
6" & up	30° x 1/4" axially
Hardness	30 Rockwell C (minimum)
Tolerance	± 0.003"
Finish	20 rms (maximum)
Speed	50 fpm (typical)

• Counterbore

Tolerance	
Up to 3"	± 0.001"
3" to 6"	± 0.0015"
6" to 10"	± 0.002"
10" to 20"	+ 0.002", -0.004"
Finish	60 rms (maximum)
Depth tolerance	
Up to 6" diameter	+1/64", - 0"
6" & up diameter	+1/32", - 0"
Chamfer	None required

Relationship Between RPM, FPM and Shaft Diameters



How to Order

Worldwide Garlock KLOZURE® Oil Seal and Bearing Isolator distributors can offer you fast delivery on trouble-free, high-quality oil and grease seals and bearing protectors.

To help maintain maximum sealing effectiveness, we need as much information as possible concerning your operating conditions. The following check list will help you give us the data needed to recommend the proper oil seals for your standard and special sealing requirements.

- Customer name and address
 - Customer's part name and number shown on drawing
 - Description or application of parts
1. **Quantity requirements:** Parts per day, per month, per year; quantity purchased at one time. Will this be a repeat order?
 2. **Packaging requirements (bulk, box, bag, pallet, etc.):** Can customer handle pallets? If not, what is largest carton gross weight customer can handle?
 3. **Material requirements:** Must we meet customer specs? Are they attached? If not, where are they? Element requirement: material, dual lip; case requirement: material, thickness, cover washer.
 4. **Is functional test required?** If yes, describe.
 5. **Suggested design:** By whom, model number, element, case, spring.
 6. **Fixed dimensions:** Shaft, housing bore, recess/width. If still open, indicate.
 7. **Motion: Rotating:** RPM, FPM (MPS), maximum and minimum; reciprocating: stroke, strokes/min.
 8. **Shaft:** Material; finish: microinches AA (RMS), finish method; hardness: Brinell, Rockwell C; position: vertical, horizontal.

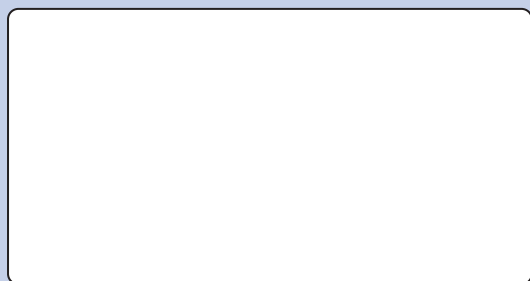
9. **Housing:** Material, finish, chamfer, shoulder.
10. **Eccentricity:** Bore misalignment, dynamic runout/TIR.
11. **Temperature:** Normal operating, maximum, minimum.
12. **Medium to be sealed:** Inside, pressure, outside, pressure.
13. **Medium level with respect to seal:** Inside, outside.
14. **Assembly:** With or against lip; tool used; splines, keyways, shoulders or other conditions.
15. **Type of bearing:** Location of seal with respect to bearing.
16. **How to specify:** When ordering seals, use model number or computer number. Any special combination should be specified.
17. **Where to order or inquire:** Garlock has established a worldwide network of authorized distributors. Look in the Yellow Pages for the name and the distributor nearest you, or contact:

Garlock Sealing Technologies
1666 Division Street
Palmyra, New York 14522
Telephone: 315-597-4811, 1-800-448-6688

For Canadian requirements, address your inquiries and orders to:

Garlock of Canada, Ltd.
2860 Plymouth Drive
Oakville, Ontario, Canada L6H 5S8
Telephone: 905-829-3200

AUTHORIZED DISTRIBUTOR



ISO 9002-94
Cert. #001762

WARNING:

Properties/applications shown throughout this brochure are typical. Your specific application should not be undertaken without independent study and evaluation for suitability. For specific application recommendations consult Garlock. Failure to select the proper sealing products could result in property damage and/or serious personal injury.

Performance data published in this brochure has been developed from field testing, customer field reports and/or in-house testing.

While the utmost care has been used in compiling this brochure, we assume no responsibility for errors. Specifications subject to change without notice. This edition cancels all previous issues. Subject to change without notice.

GARLOCK is a registered trademark for packings, seals, gaskets, and other products of Garlock.

© Garlock Inc 2001. All rights reserved worldwide.

GOODRICH

Garlock Sealing Technologies
1666 Division Street
Palmyra, New York 14522 USA
1-315-597-4811
1-800-448-6688
Fax: 1-800-543-0598
1-315-597-3216

Visit the Garlock network:
www.garlock.net

Other Garlock facilities are located in:

Paragould, AR, USA	1-870-239-4051	Fax: 1-870-239-4054
Columbia, SC, USA	1-803-783-1880	Fax: 1-803-783-4279
Houston, TX, USA	1-281-459-7200	Fax: 1-281-458-0502
Sydney, Australia	61-2-9793-2511	Fax: 61-2-9793-2544
São Paulo, Brazil	55-11-884-9680	Fax: 55-11-884-9680
Oakville, Canada	1-905-829-3200	Fax: 1-905-829-3333
Berkshire, England	44-1635-38509	Fax: 44-1635-569573
Saint-Étienne, France	33-4-7743-5100	Fax: 33-4-7743-5151
Neuss, Germany	49-2131-3490	Fax: 49-2131-349-222
Seoul, Korea	822-554-6341	Fax: 822-554-6343
Mexico City, Mexico	52-5-567-7011	Fax: 52-5-368-0418
Singapore	65-254-7372	Fax: 65-254-6708

Garlock

Sealing Technologies®